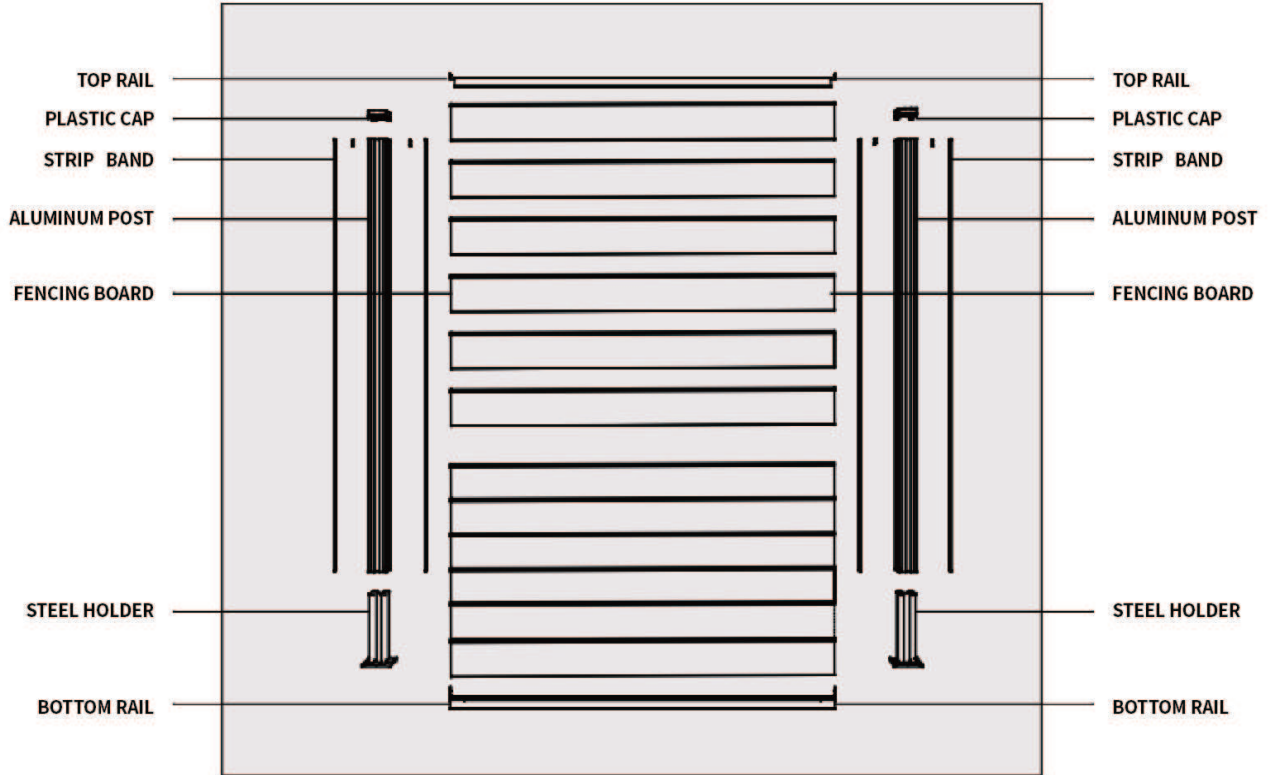
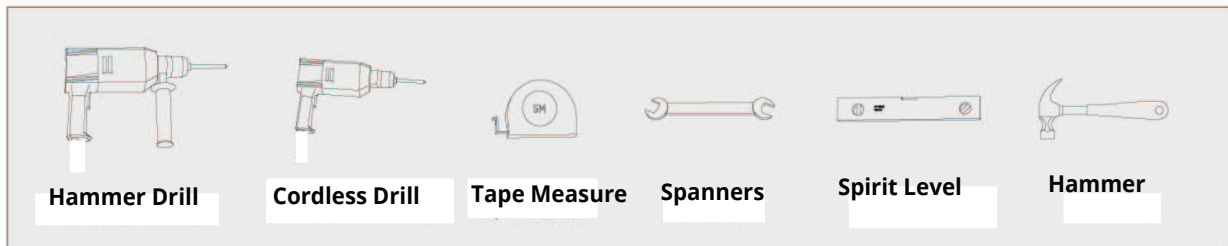
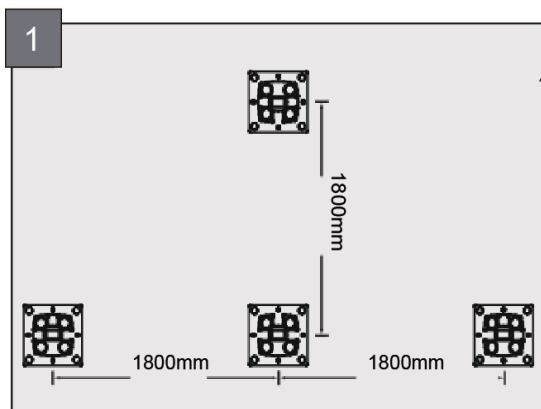


## Fence Panel Components



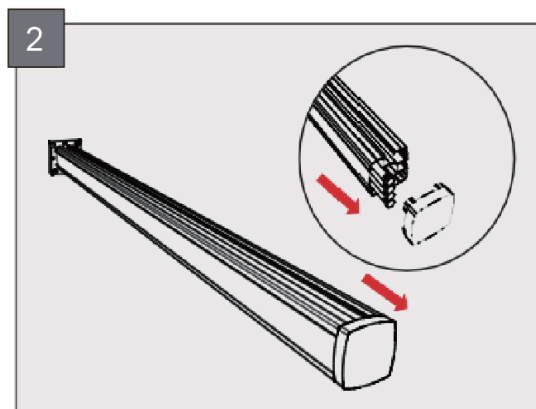
## Tools Needed for Installation





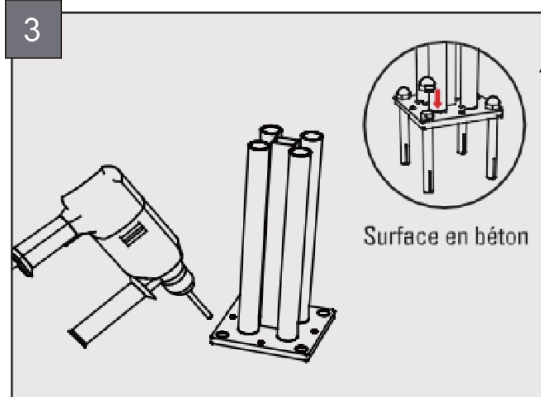
**1**

Place posts at 1800mm centres using either base plate attachments for fixing onto concrete or into ground without base plates. For inground installation, dig holes a minimum of 600mm (60cm) deep and use concrete blend to set posts.



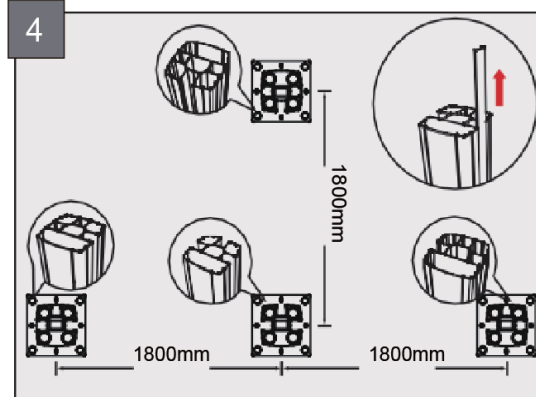
**2**

Remove Top Cap and expansion / cover piece.



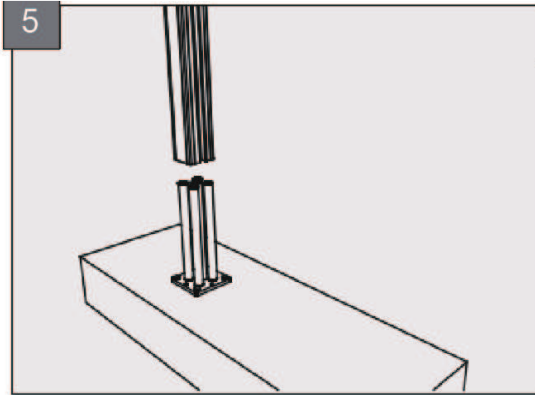
**3**

Using a hammer drill and a 12mm masonry drill bit, drill holes and drop Dyna bolts in the holes.

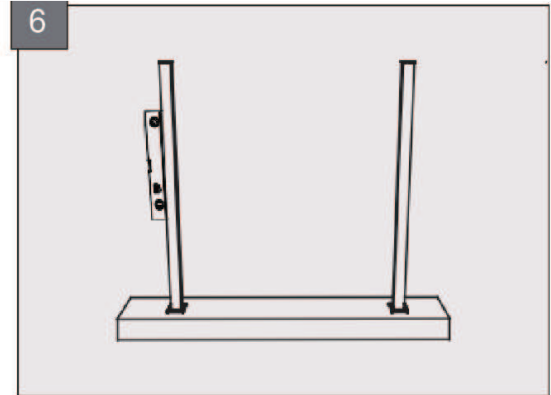


**4**

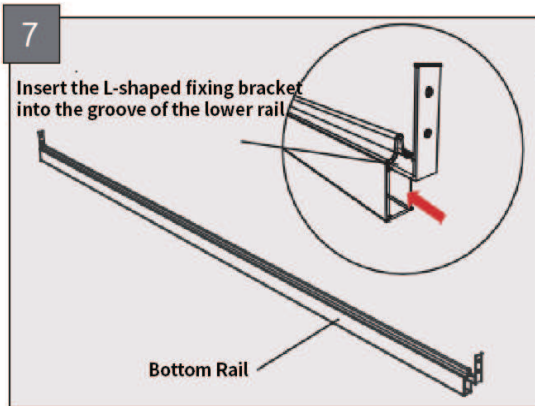
Remove cover strip if required and place into side of post where fence panels will not be installed for a clean finished look.



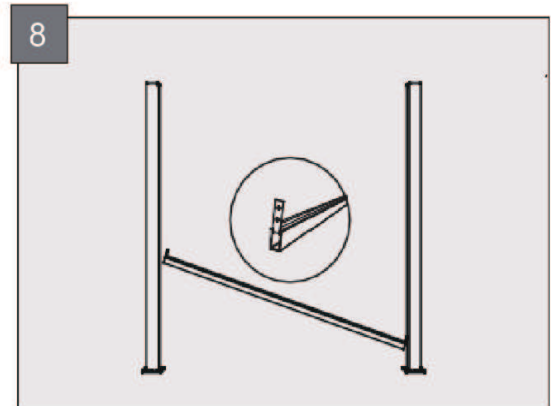
**5**  
For Base plate installtion, attach post to base plate mount and secure into place with screws provided ensuring posts are level.



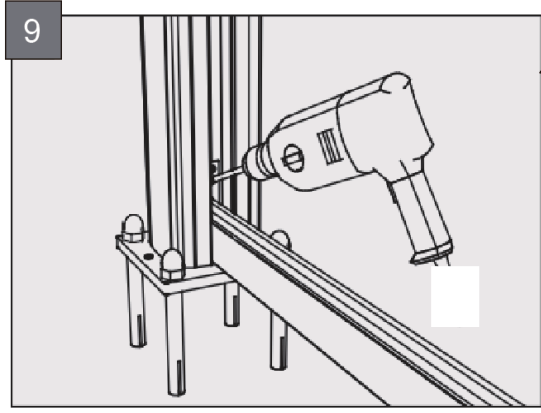
**6**  
Level Posts both base and inground posts.



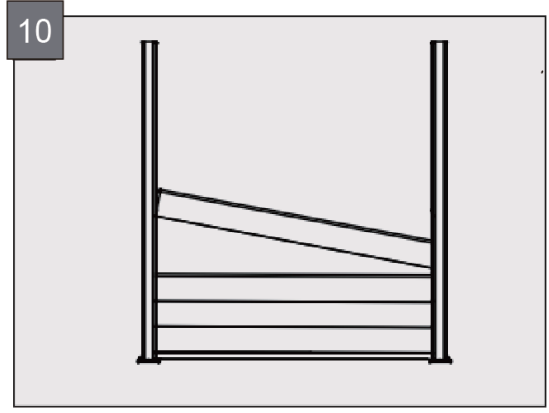
**7**  
Insert the L-shaped fixing bracket into the groove of the lower rail  
Bottom Rail  
Slide L Shaped Bracket into bottom rail and secure with screws provided.



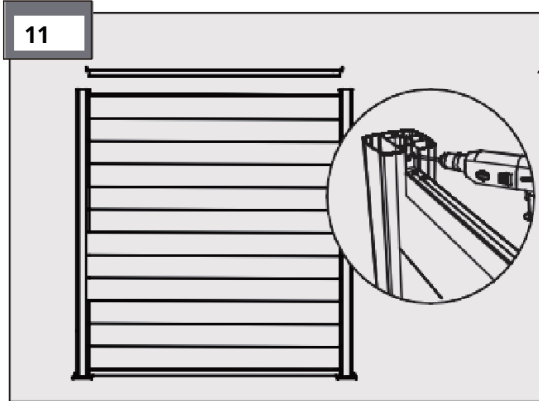
**8**  
Slide into upright posts, level and secure with screws provided.



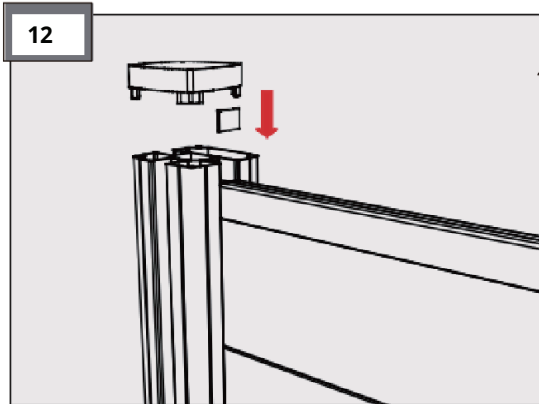
**9**  
Secure bottom rail into place with screws provided.



**10**  
Drop fence panels into slots on the posts and push down into position, follow this until desired fence height is achieved.

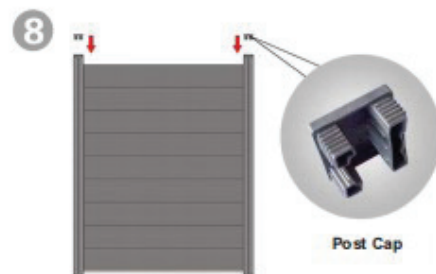
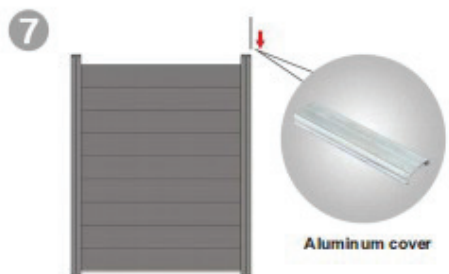
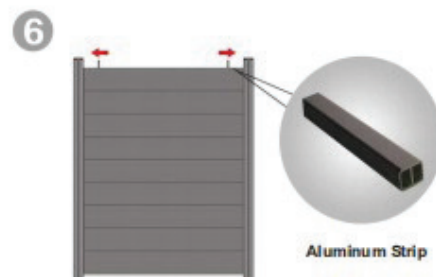
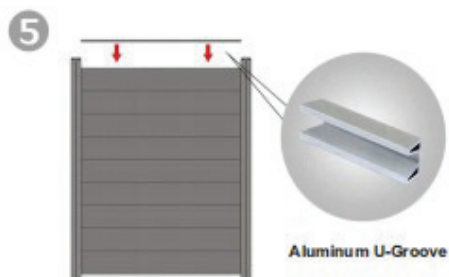
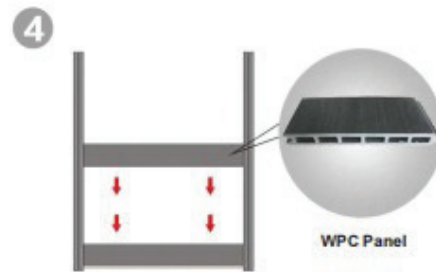
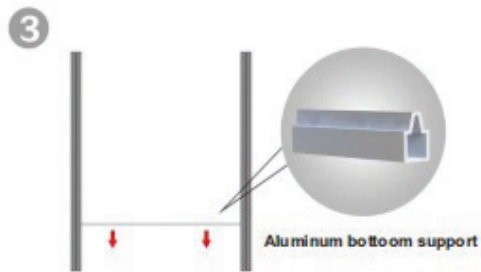
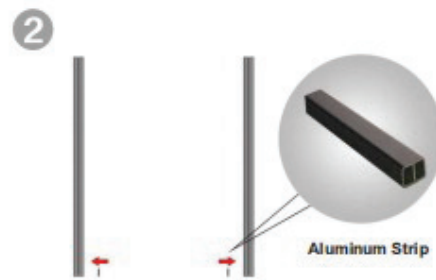
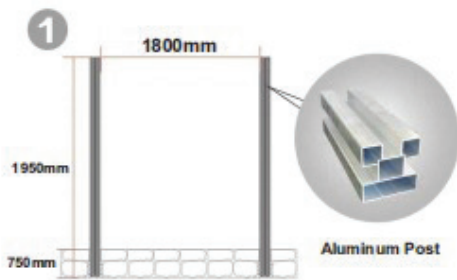


**Attach top, finishing rail and screw into place.**



**Insert finishing piece and attach top cap.**

# WPC FENCE INSTALLATION





Self made fence is new elegant easily installed design of fence made from WPC panels and Aluminium sections and posts.

### WPC Panel

Size: 210x21mm



Aluminum Post  
Size: 68x68x2700mm



Post Cap  
Size: 68x68x50mm



Aluminum bottom support  
Size: 68x68x2700mm



Aluminum U-Groove  
Size: 20x12x1836mm



Aluminum cover  
Size: 20x6mm



Aluminum Strip  
Size: 18x22mm



