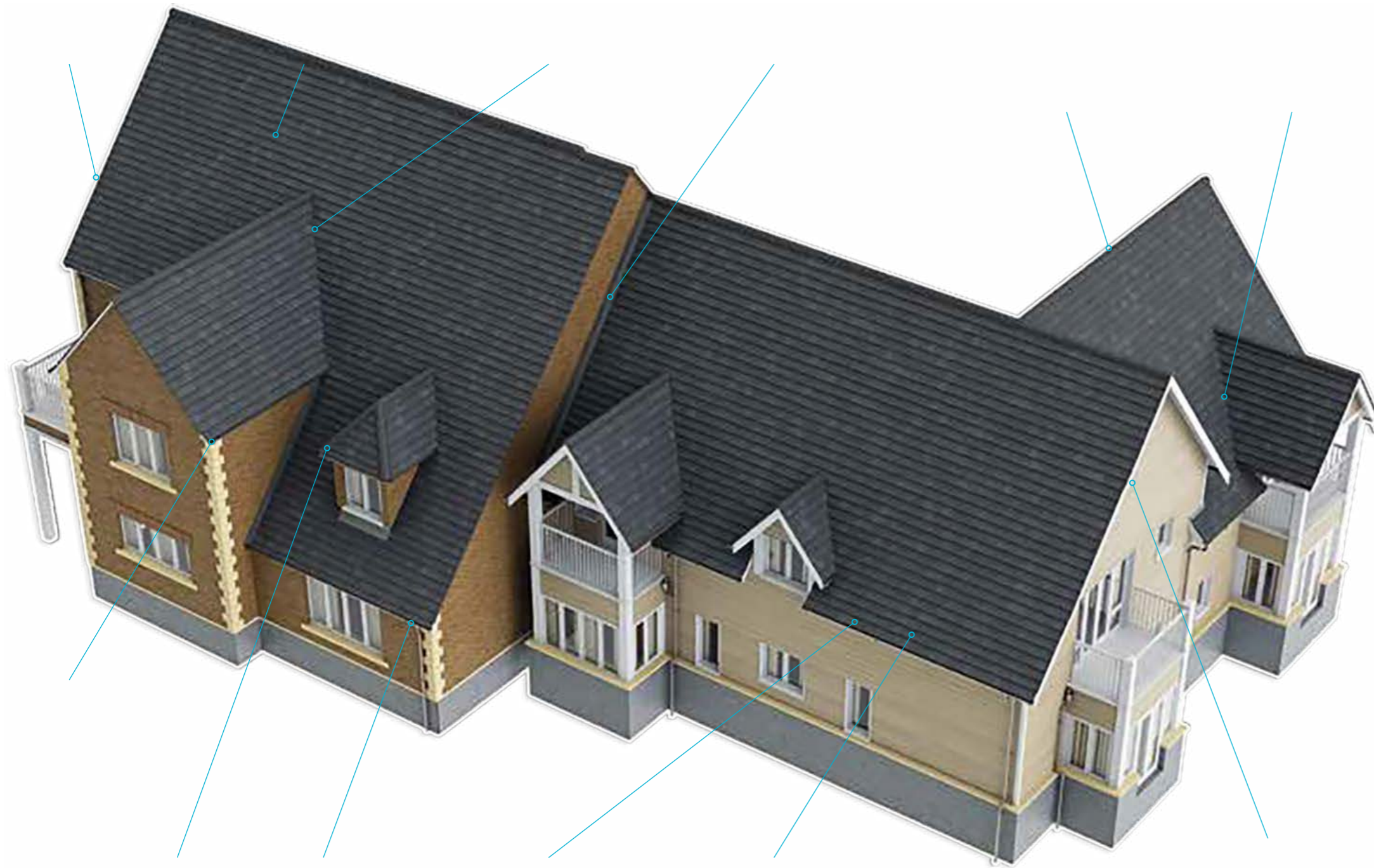


DryVerge
and Roofline Direct

Product Guide



Some of our top selling products



Dry Verge and Roofline Direct are your one-stop-shop for quality roofing products.

We began in 2020 as a small, family run business in Kent and have since expanded into a leading online roofing merchant.

With an ever-growing product range and constantly evolving list of suppliers, we are sure to have what you need. This growth is due to our business adapting to face current challenges and always meeting customer needs. Our passion for high quality service means that our team of experts will support your project with Next Day Delivery available, a 24-7 online customer chat service and high quality products at competitive prices.

Our team not only quote the materials needed but can also provide help and advice on how to fit them. With an ever-growing product list; if we do not have what you need on the website, we can quickly contact suppliers and find what you need.

The Dry Verge and Roofline Direct team hope you enjoy using our products as much as we enjoy offering them to you.

If you need any further support, please do not hesitate to contact us.

**Nationwide
Delivery**



Continuous Dry Verge

European Plastics Continuous Dry Verge is a quick and simple continuous dry fix system that offers complete protection and uninterrupted watertight cover to your property.

It is made from high quality, external grade, rigid PVC, which is extremely resistant to light degradation and atmospheric pollution. It can be easily fitted in any weather and does not require under cloak, special tools, clips or adhesives, reducing time and cost of labour.

The Continuous Dry Verge is available in four profiles, which can be fitted to a large range of roof tiles & slates, compatible with all leading roof tile manufacturers.

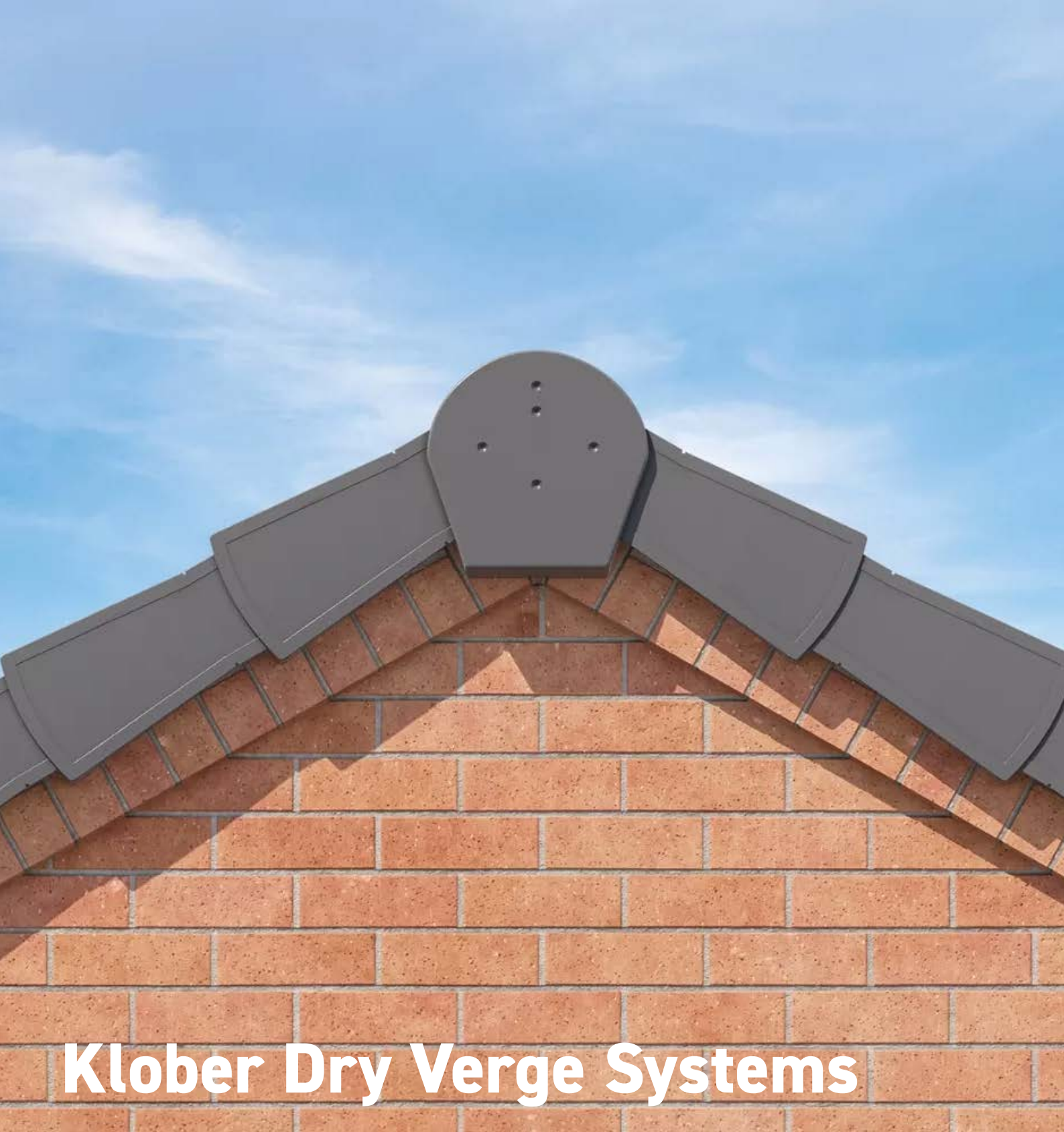
Please refer to our [profile compatibility table](#) to find out which continuous dry verge type you need for your project.

Profiles

Connectors

Eaves Stop Ends

Ridge End Caps



Klober Dry Verge Systems

Klober's popular Dry Verge Systems offer a safe and secure method for fixing interlocking tiles without the use of mortar.

Choose from Uni Click, Ambi Dry Verge or the new TLE (thin leading edge) Dry Verge System. All of which give a robust, flush finish. Each system is also available in a range of colours to provide a discreet finish for most rooflines.

Klober Ambi Dry Verge System

Klober Uni Click Dry Verge

Klober TLE (Thin Leading Edge) Dry Verge System

Klober Ridge End Caps



KLOBER

DRY VERGE SYSTEMS

A secure method of fixing concrete interlocking verge tiles

- › Mortar-Free
- › Quick Installation
- › Neat Finish

[SHOP NOW >](#)





Manthorpe Linear Dry Verge

The Manthorpe® Linear Dry Verge System provides a secure mechanical fixing solution for many types of roof coverings including Fibre Cement Slates, Natural Slates and Interlocking Plain Tiles.

The Linear Verge Units come in Left Hand and Right Hand which can be easily fitted to the verge of the roof in succession, locking the tiles in place to prevent wind uplift problems. The system is mortar-free and can be fixed in all weather conditions. Once fitted they are completely weatherproof and maintenance free.

Manthorpe Linear Dry Verge System





Universal Dry Verge

This mortar free system is universal, eliminating left and right hand units, saving you time and money, making it a very popular product.

Universal Dry Verge units secure tiles to the verge of the roof, while providing exceptional resistance to water penetration and preventing wind uplift. They create a durable, weatherproof finish that fits all common profiles, including thin leading edge roof tiles, as well as the standard and high profiled roof tiles.

Universal Dry Verge System



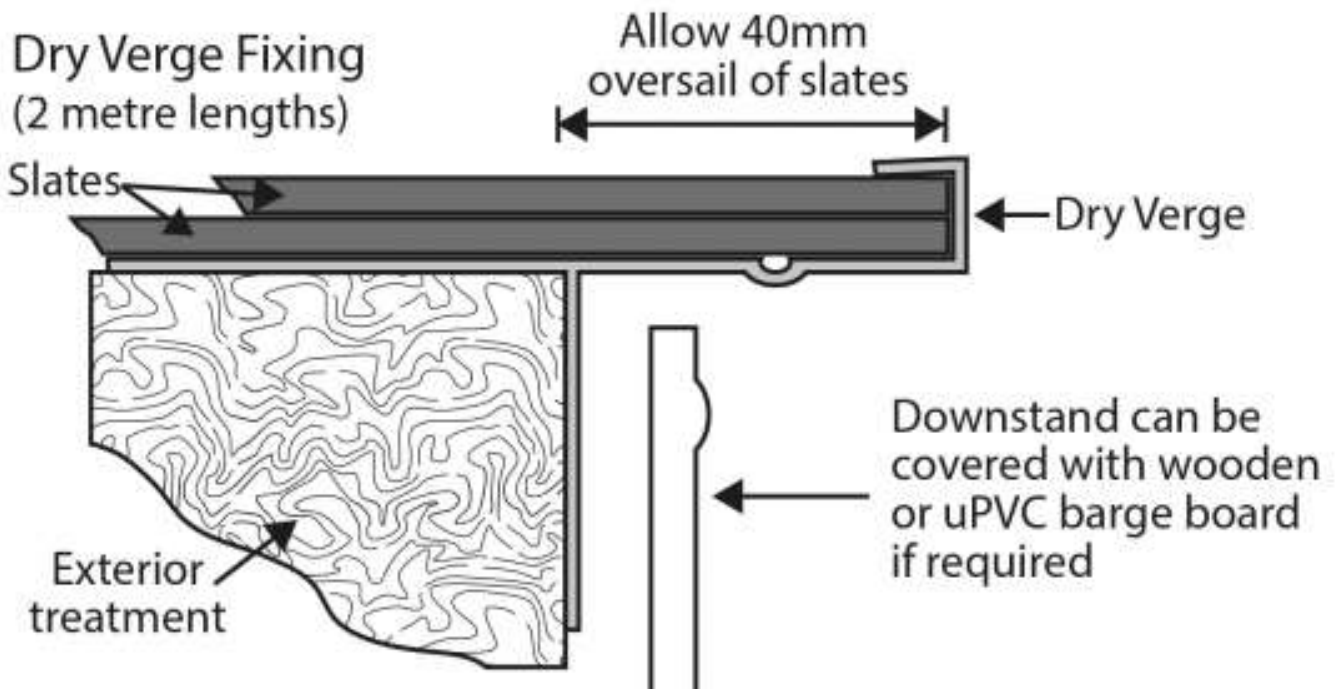
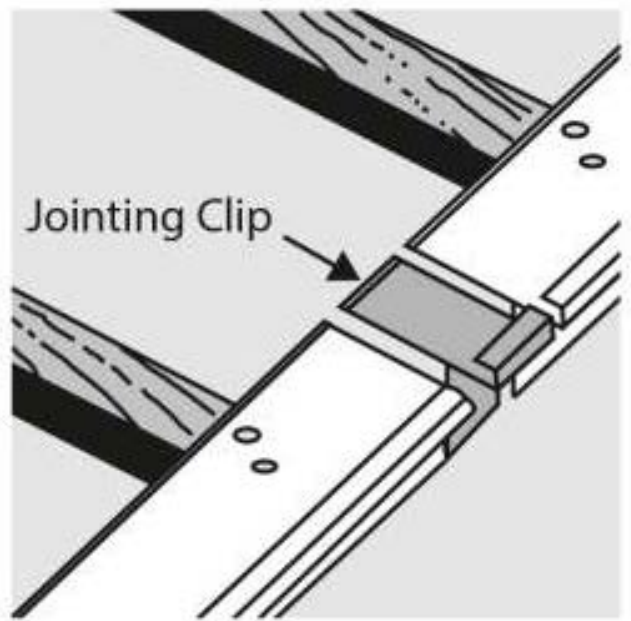
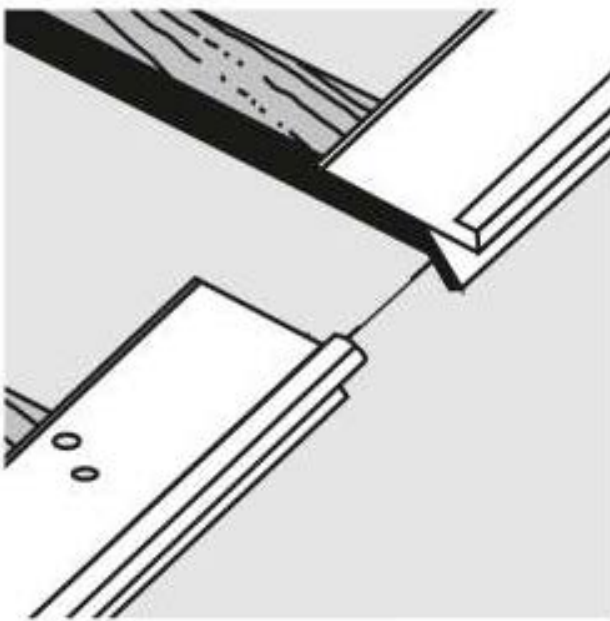


Tapco Slate Dry Verge

The Tapco Slate Dry Verge System is a popular black, dry-fix slate dry verge system that provides a neat, weatherproof, continuous, maintenance free finish to the gable.

Manufactured from high durability extruded UV inhibited PVC-U to protect the verge from wind uplift and the elements. Tapco slate dry verge is available for use with either interlocking tiles, or natural and man-made double lap tiles.

Tapco Slate Dry Verge System





GRP Valley Systems

The GRP valley systems provide a range of durable and cost-effective alternatives to lead products. They are easy to install and with an array of products there is a great solution to most roof profiles.

If you are unsure which one is best for your project, then give our support team a call on 01622 296 228.

GRP Dry Valleys

GRP Standard Valleys

GRP Dry Bonding Gutter

GRP Standard Gutter

Soakers



Dry Ridge and Hip

Hip Support Trays and Accessories



Eaves and Ventilation

Vents to fit all tiles | Built to last



Klobber Slate and Tile Vents

Dry Verge and Roofline Direct are one of the few merchants that offer slate and tile vents/accessories in small quantities. Whilst most stores will require large amounts, we offer a minimum of two packs to save you money and wasted stock.

The Klobber slate and tile vent range suits different roof types and styles with a range of colours to blend in with majority of roof tiles as well as low profile designs for a discreet finish.

Slate Vents

Adaptors



Tile Vents

KLÖBER

Klober Tile Vents

A tile vent solution for every roof



**VENTS TO FIT
ALL TILES**



**BUILT
TO LAST**



Now In Stock!

**ROOFTEC
BREATHABLE
MEMBRANE**

**Contact Our Sales Office
For More Information**



Rooftec Breathable Membranes

Wondervent Breathable Membranes



PERMO

A membrane for every roof

The **PERMO RANGE** provides a convenient and trusted solution for every roof.

[SHOP NOW >](#)

KLOBER

Klobber Permo Breathable Membranes



Accessories

Snow Guards

Shingles and Felt

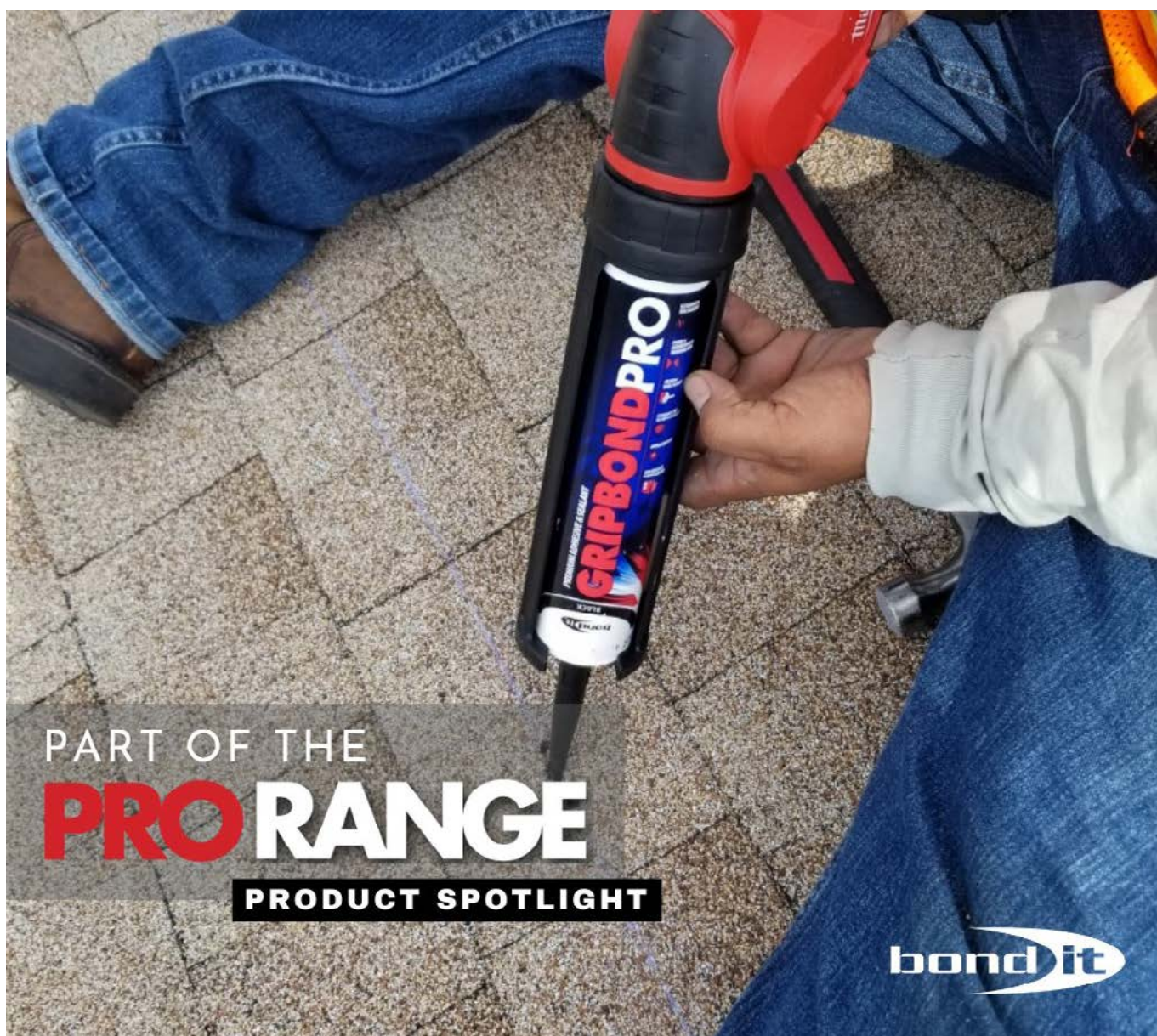


Slate Hooks

Tile Clips

Lead Free Flashing

Expanding Foam



PART OF THE
PRO RANGE

PRODUCT SPOTLIGHT

bond it



Manthorpe



SAMAC

WanderBUILDS



We are proud stockists for many of the leading roofing manufacturers and are constantly updating our product range to offer you the best solutions for all your roofing needs.

As a result, if there is something you need that doesn't feature in our catalogue, it does not mean we do not offer it.

Please get in contact with our helpful team for any product information, advice and up to date offers. A reminder that we can create bespoke quotes and have bulk offers that are not always on the website.

Email: info@dryvergeandrooflinedirect.co.uk

Phone: 01622 296 228

