

Height: 23,62 in      Alto: 60 cm  
Width: 23,62 in      Ancho: 60 cm  
Depth: 5,87 in      Fondo: 14.9 cm

LOT N°

REF./SKU. GLB 6752 - GLW 6753 - GLZ 6754

IF ANY PARTS ARE BROKEN OR MISSING PLEASE  
CONTACT US AT: 1-888-391-01-66 /  
customerservicetuhome@rtā.com.co  
OUR CUSTOMER SERVICE TEAM WILL PROVIDE  
YOU HELP TO RESOLVE ANY ISSUES IMMEDIATELY

**SINES MEDICINE CABINET**  
Gabinete de Baño Sines



## IMPORTANT RECOMMENDATIONS

Do not paint the cabinet.

The cabinet **MUST** be used exclusively indoors, do not expose to direct sun.

Clean metallic hardware with a dry cloth.

Do **NOT** overload the cabinet (see suggested loads).

Do not hit or hammer the cabinet (just when indicated).

Clean with a slightly damp cloth, use gentle soaps.

Do not drag, lift and move between two people.

Avoid direct contact with water, fire or exposure to heat sources.

## RECOMENDACIONES IMPORTANTES

No pintar el mueble.

El mueble debe ser usado únicamente en interiores, no exponer al sol directo.

Limpiar los herrajes metálicos con un paño seco.

**NO** sobrecargar el mueble (ver las cargas sugeridas).

No golpear ni martillar el mueble (solo cuando se indique).

Limpiar con un paño ligeramente húmedo, usar jabones suaves.

No arrastre el mueble, levántelo entre dos personas.

Evite el contacto directo con el agua, el fuego o la exposición a fuentes de calor.



### WARNING

Never allow children to climb or manipulate the cabinet, furniture tip over can cause serious injuries or death.



### ADVERTENCIA

Nunca permita que los niños escalen o manipulen el mueble, la caída de este puede provocar lesiones graves o la muerte.

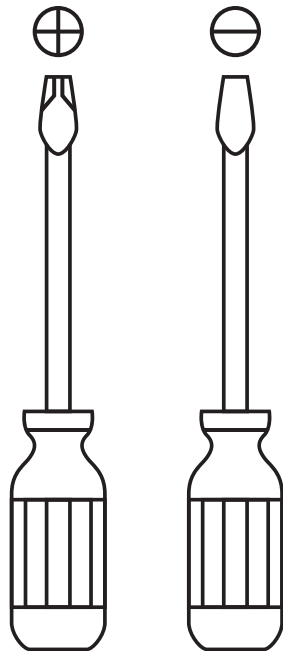
## INDEX

Assembly Hardware.....	4
Assembly Parts.....	5
Suggested Loads.....	6
Assembly Recommendations.....	6
Assembly Steps.....	7-15
Warranty.....	16

## ÍNDICE

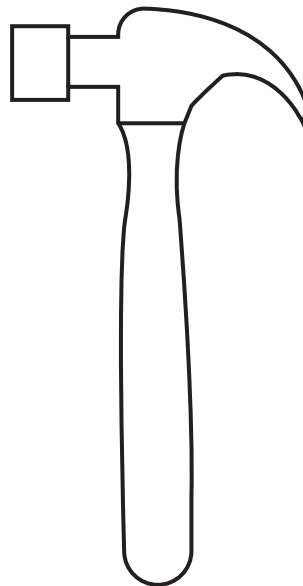
Herrajes para Armado.....	4
Piezas de Armado.....	5
Cargas Sugeridas.....	6
Recomendaciones de Ensamble.....	6
Pasos de Armado.....	7-15
Garantía.....	16

## REQUIRED TOOLS\*



\*Not included, and not shown actual size.

## HERRAMIENTAS NECESARIAS\*



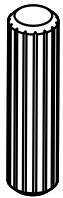
\*No incluidas y no se muestran en tamaño real.

# ASSEMBLY HARDWARE

# HERRAJES PARA ARMADO

Please check that the hardware content is correct. If any item is missing, please call to our customer service line.

Compruebe que el contenido de los herrajes sea el correcto. En caso de que falte alguna pieza, por favor llame a nuestra línea de atención al cliente.



**x23**

Wood Dowel  
Tarugo



**x6**

Minifix Cams  
Minifix



**x6**

Spreading Bolt  
Perno Minifix



**x6**

Cover Caps  
Tapa Adhesiva  
Minifix



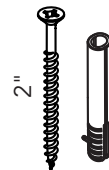
**x1**

Mirror  
Espejo



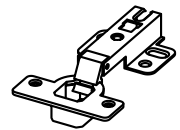
**x1**

Double face tape  
Cinta Doble faz



**x3**

Wall anchor  
+ screw  
Chazo + Tornillo de Ensamble



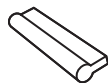
**x4**

Hinge +  
screws  
Bisagra



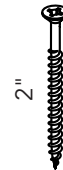
**x16**

Flat head  
screw  
Tornillo Lamina



**x1**

Handle  
Manija



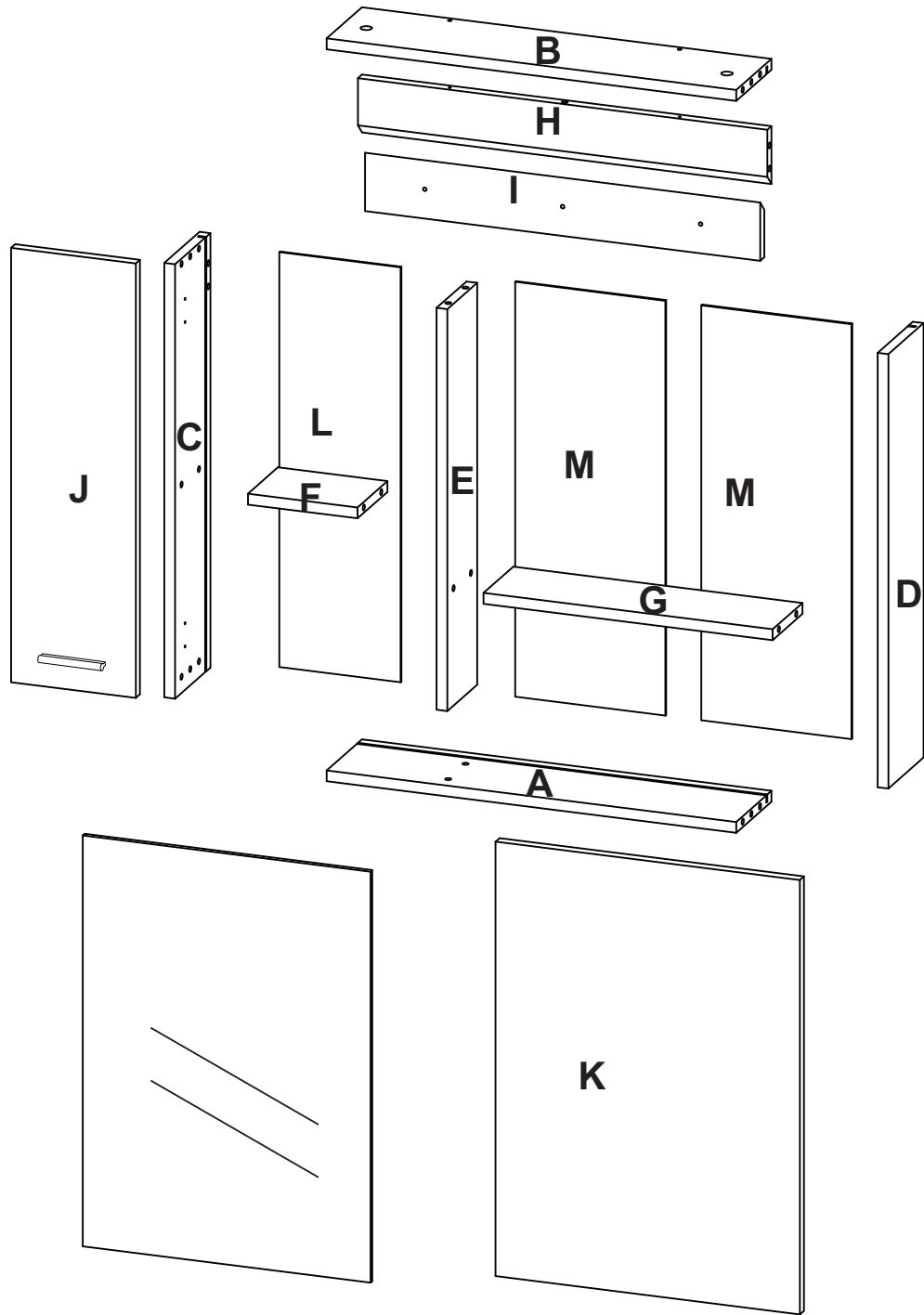
**x2**

Drywall  
screw  
Tornillo de Ensamble

Hardware items are NOT shown actual size.  
Los herrajes no se muestran el tamaño real.

# ASSEMBLY PARTS

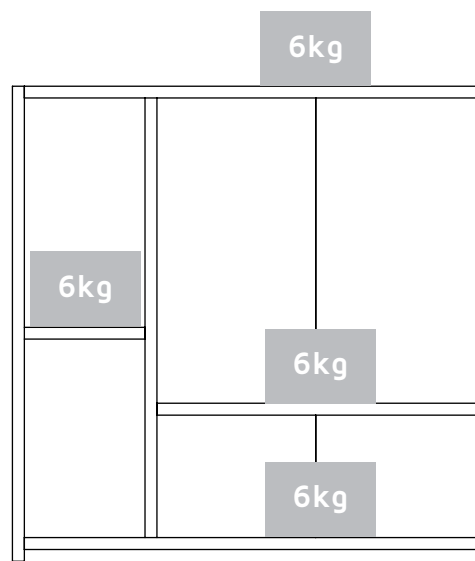
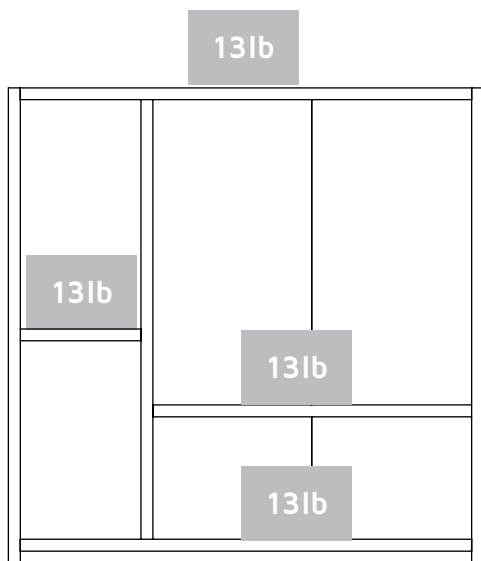
# PIEZAS DE ARMADO



A - x1	E - x1	I - x1	M - x2
B - x1	F - x1	J - X1	
C - x1	G - x1	K - x1	
D - x1	H - x1	L - x1	

## MAX SUGGESTED LOADS

## CARGAS MÁXIMAS SUGERIDAS



## ASSEMBLY RECOMMENDATIONS

## RECOMENDACIONES DE ENSAMBLE

Two people are recommended to assemble the product.

Ensamble el mueble entre dos personas.

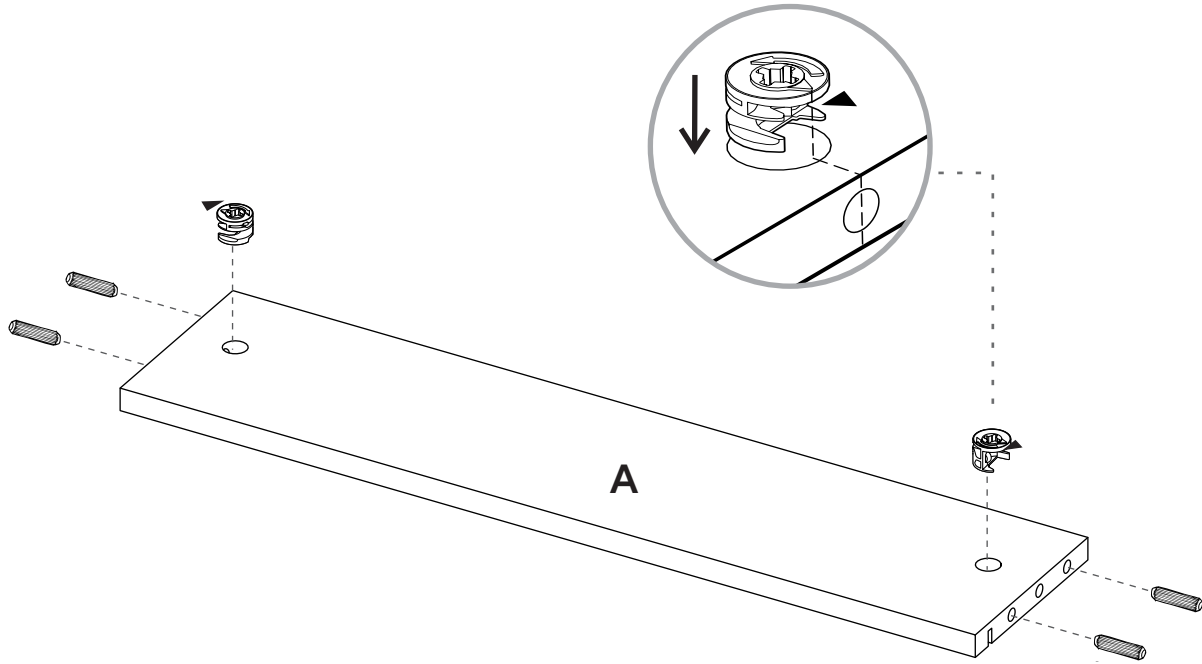
Assemble the cabinet on a flat, smooth surface, preferably on a carpeted floor or the carton box of the product.

Ensamble el mueble sobre una superficie plana y lisa, preferiblemente sobre un tapete o el cartón de la caja

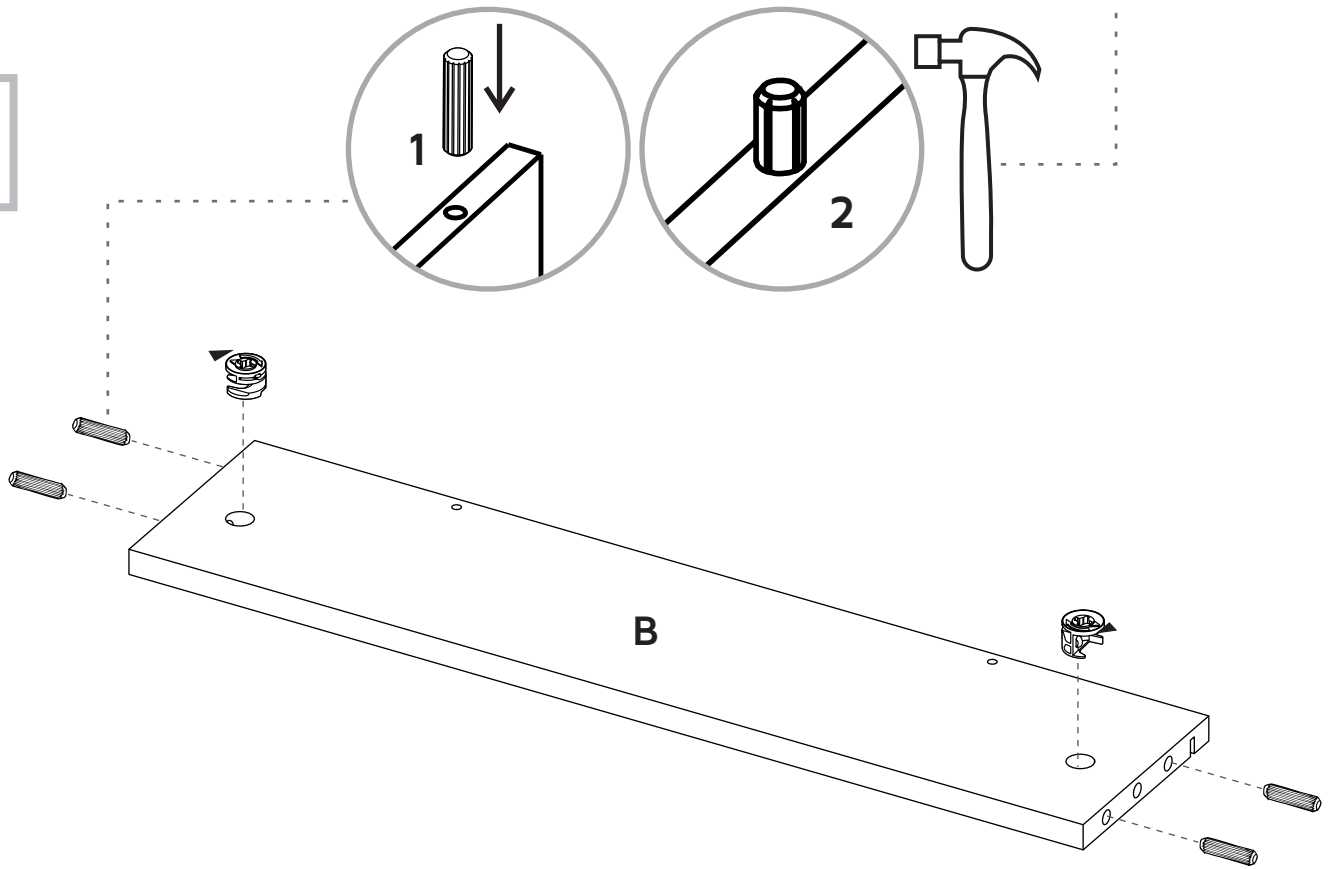
Carefully read the assembly instructions and identify every wood and hardware part before start assembling the cabinet.

Lea cuidadosamente las instrucciones e identifique todas las piezas y herrajes antes de empezar a armar el mueble.

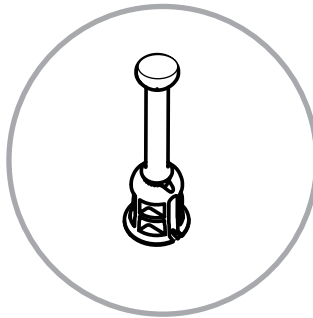
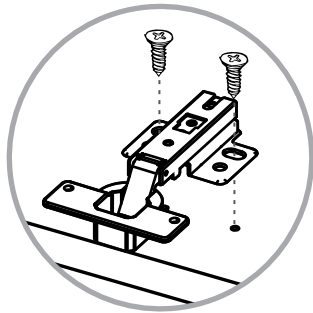
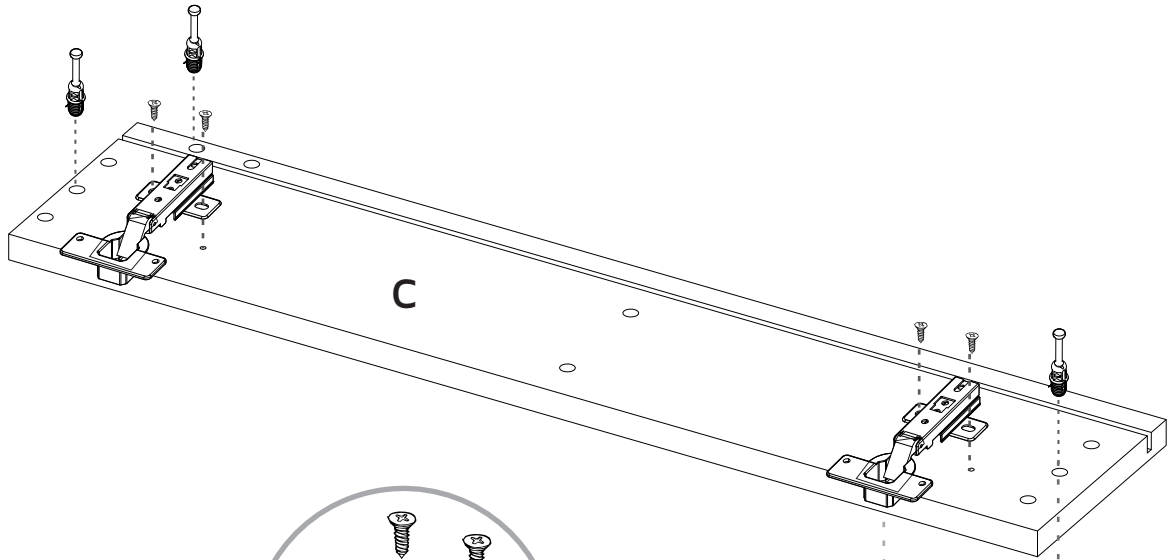
1



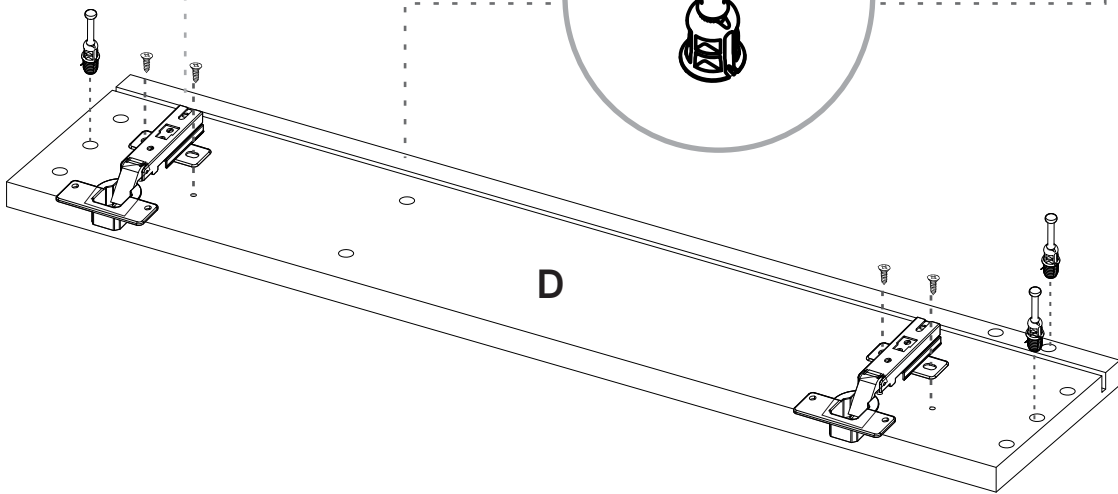
2



3

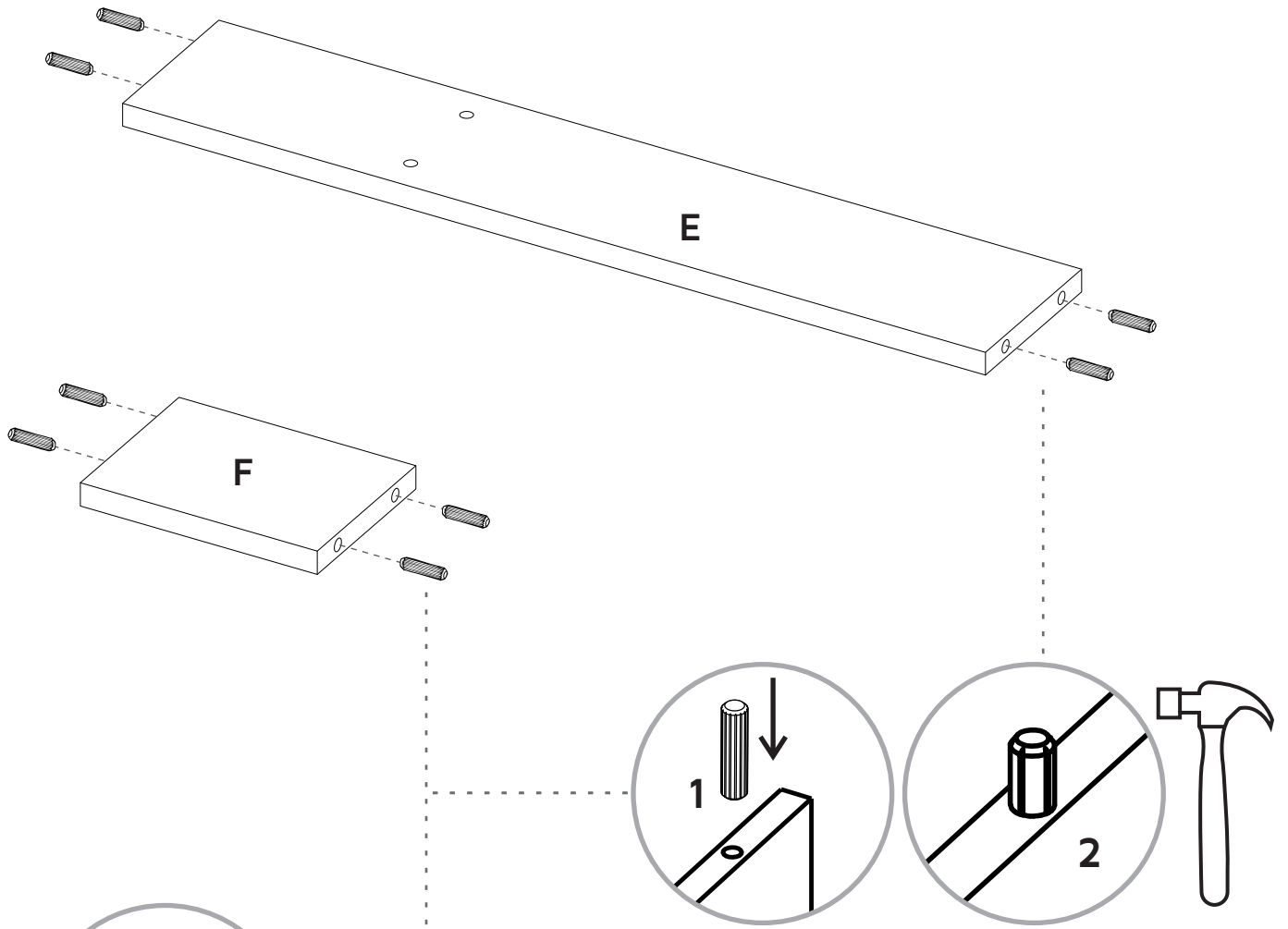


4

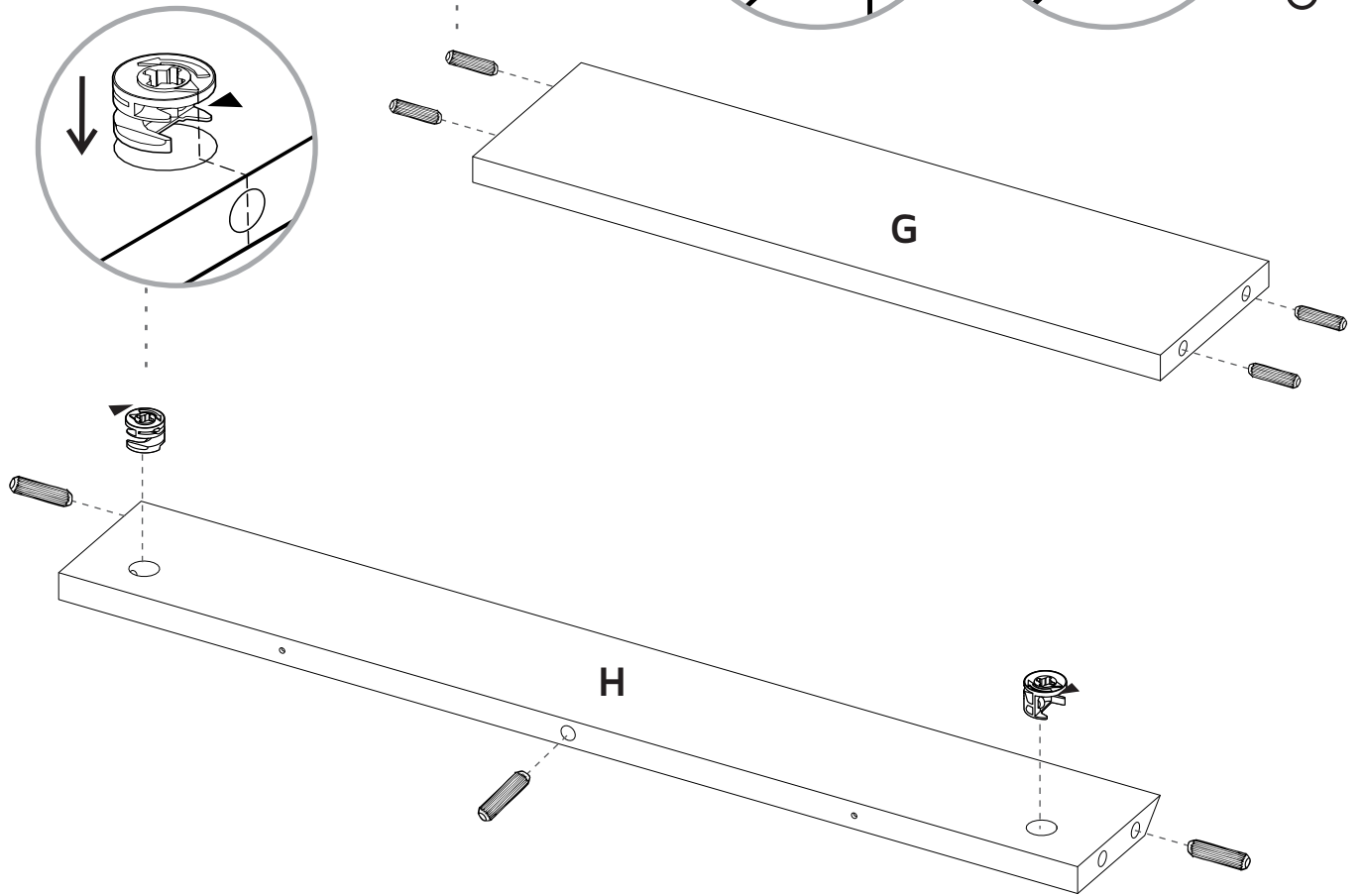




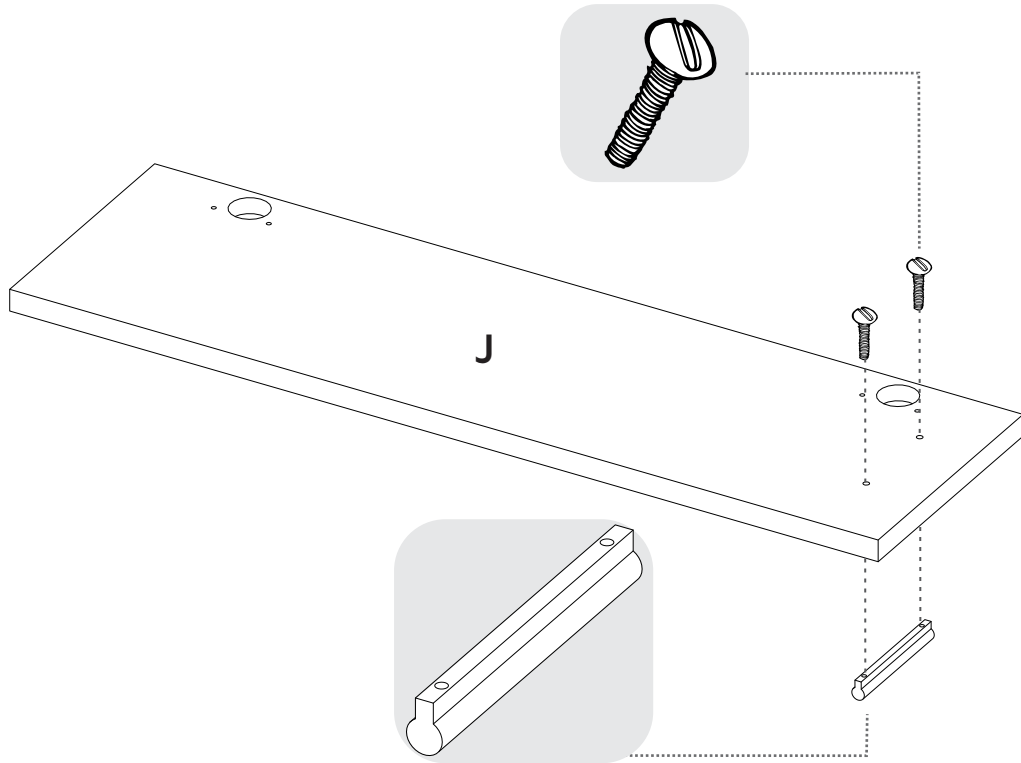
5



6



7

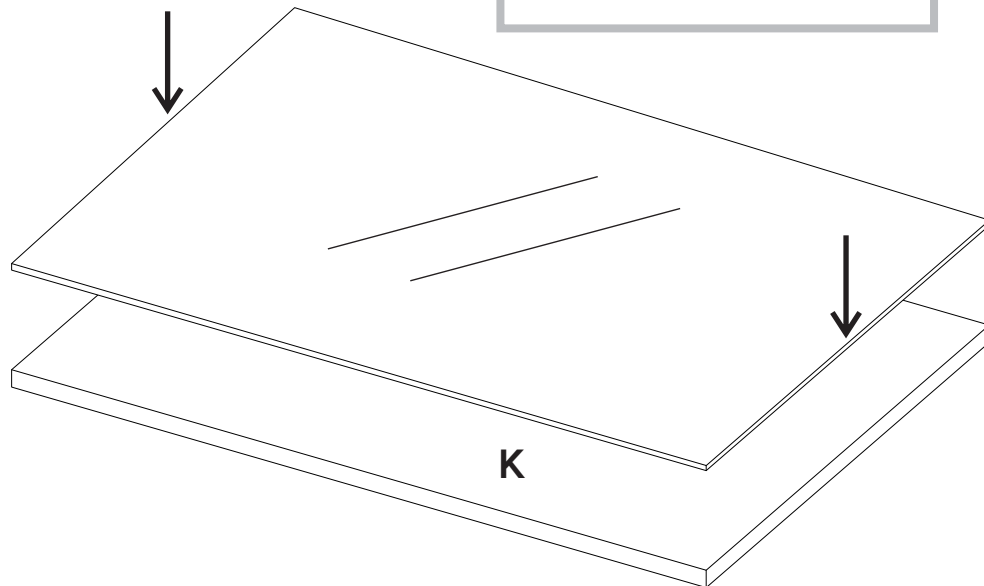


MIRROR/ESPEJO

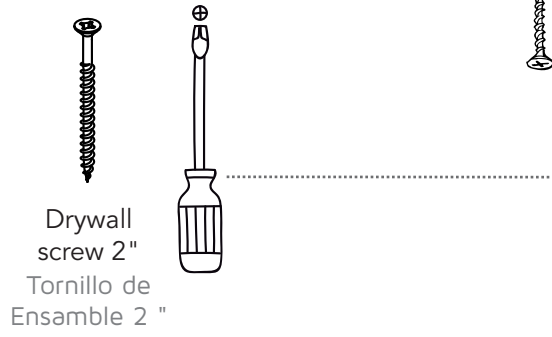
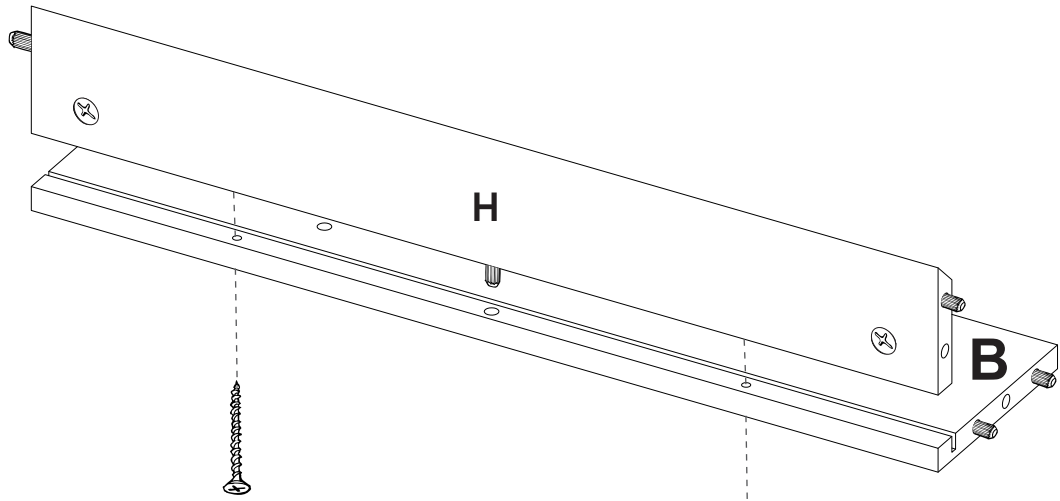
8

To paste the mirror, peel off the cover paper from the pieces of tape and then push the mirror against the piece.  
Para pegar el espejo, retire el papel protector de los tramos de cinta y luego presione el espejo contra la pieza.

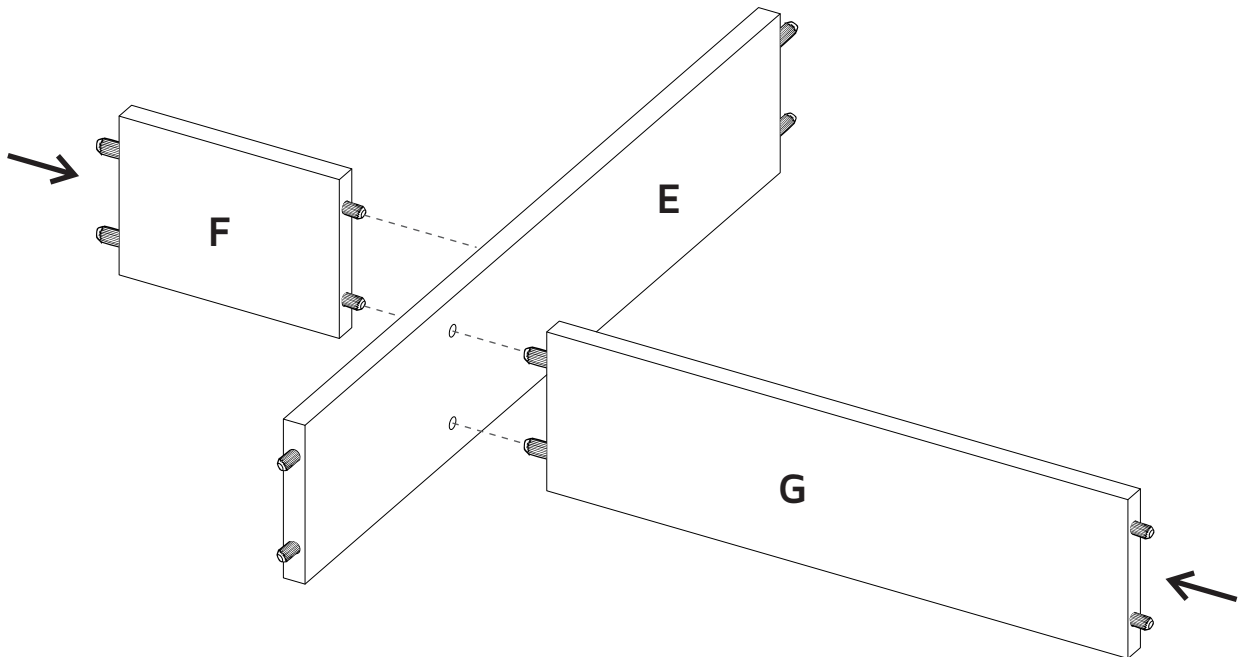
Place the mirror centered on the K piece  
Ubique el espejo de manera que quede centrado en la pieza K



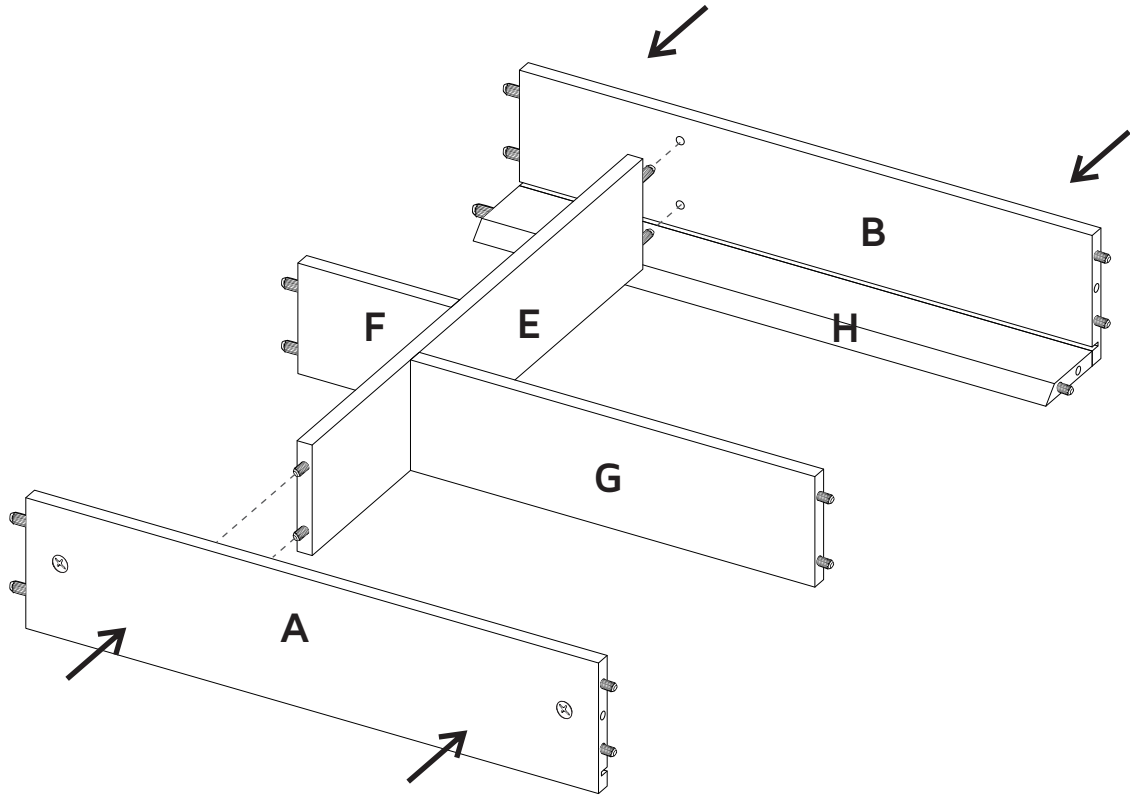
9



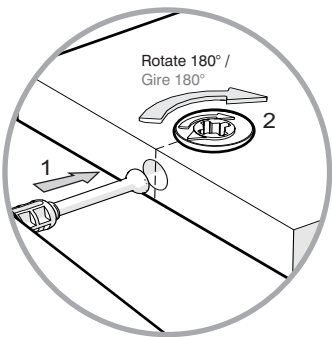
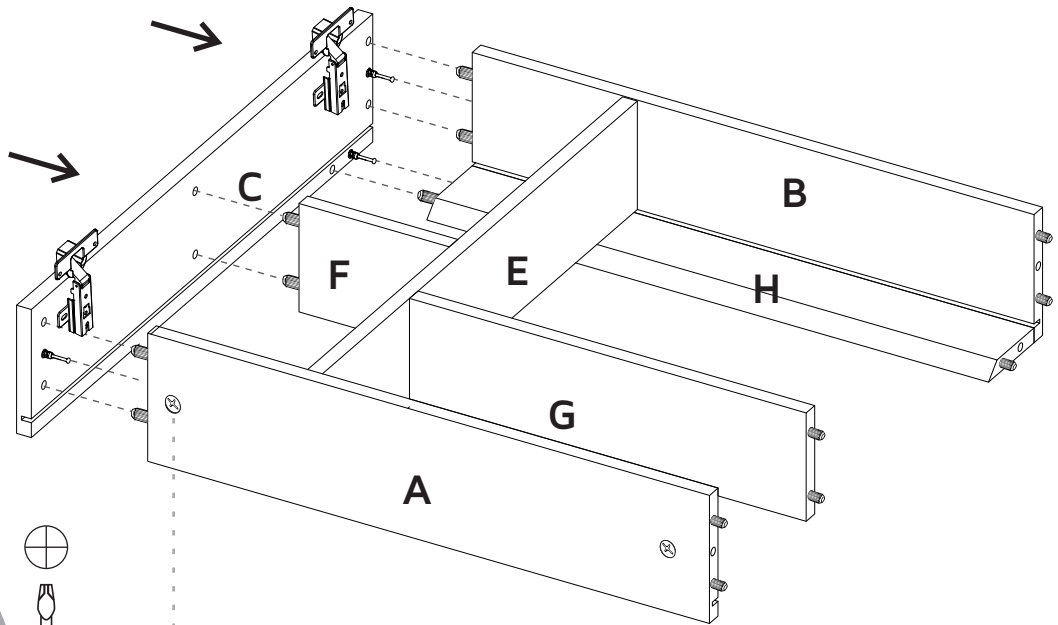
10



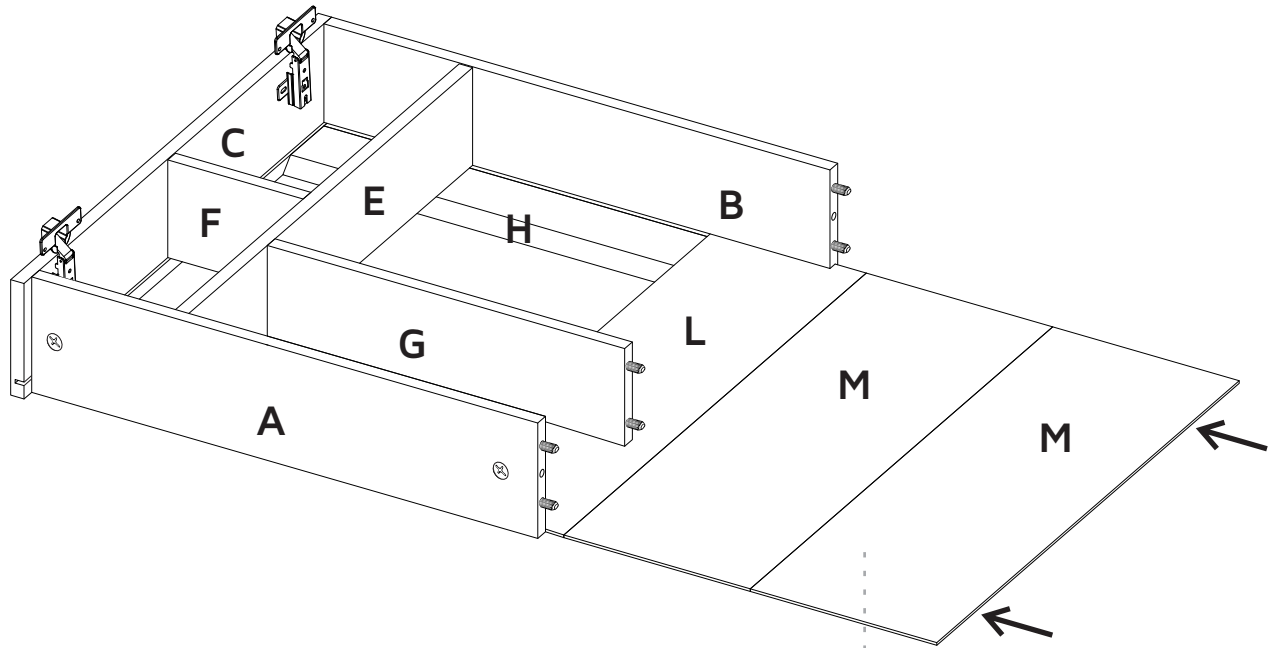
11



12

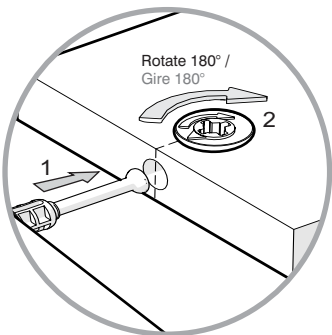
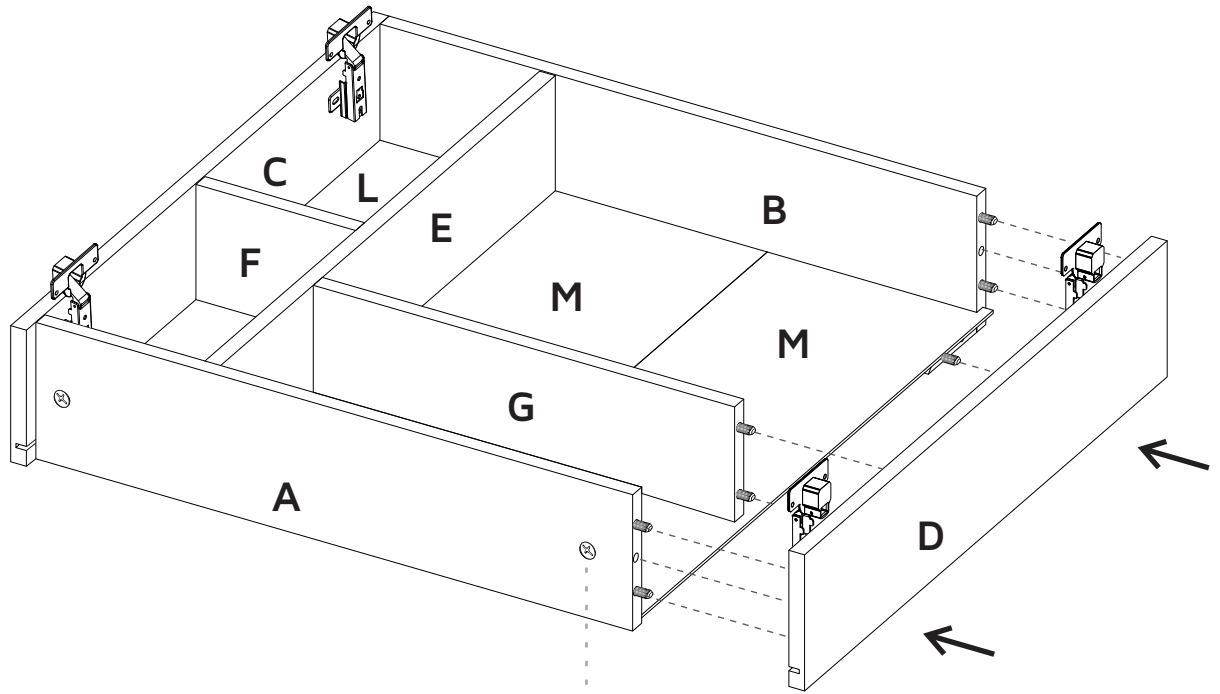


13



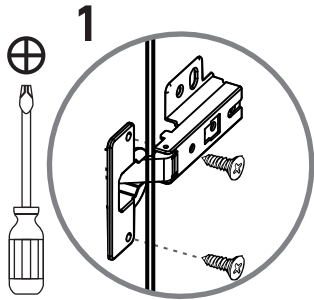
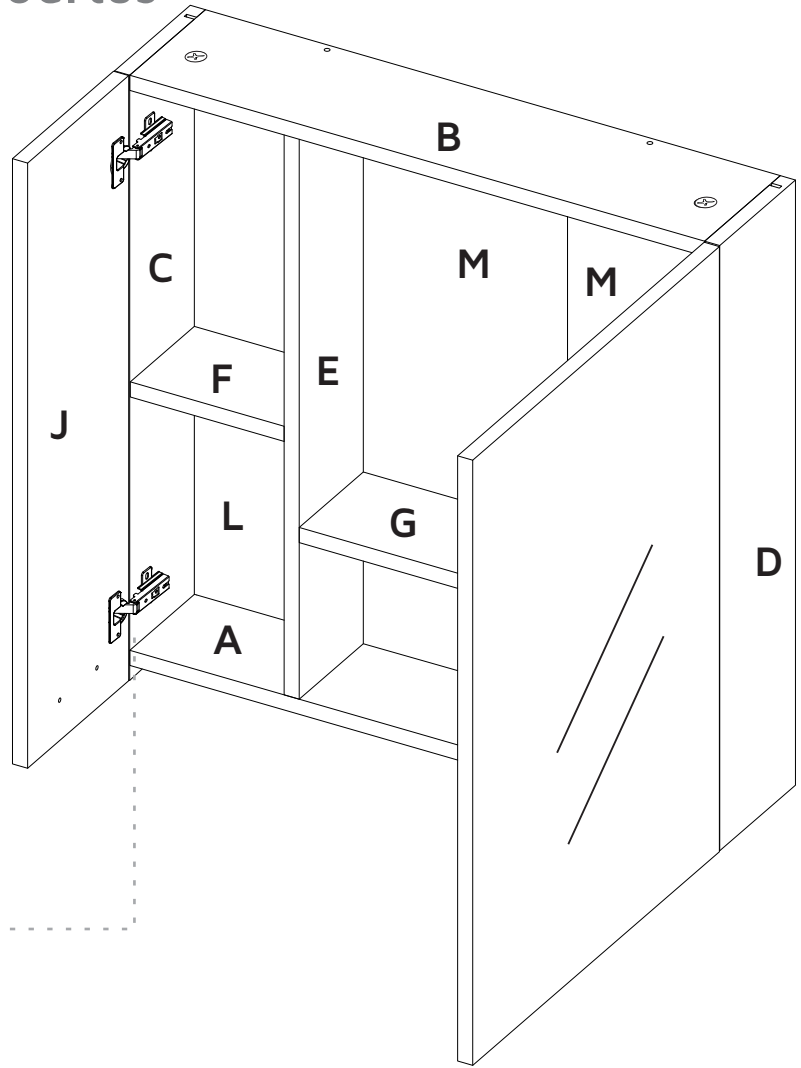
Slide the back panels  
inside the cabinet  
Deslice los fondos  
dentro del mueble

14

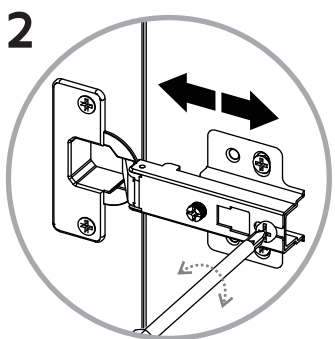


# 15

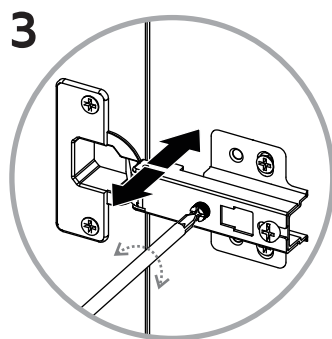
## Door Installation Instalación de las Puertas



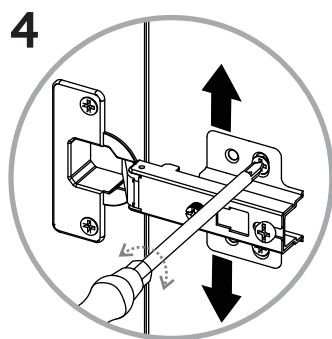
### Hinge adjustment Ajuste de las bisagras



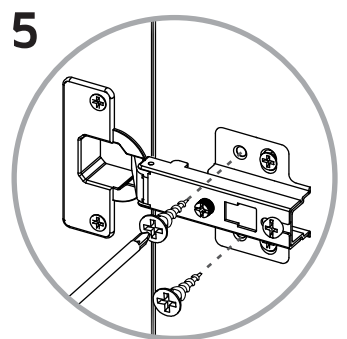
Depth adjustment  
Ajuste de profundidad



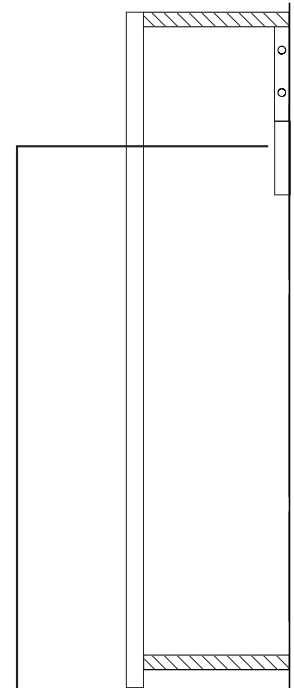
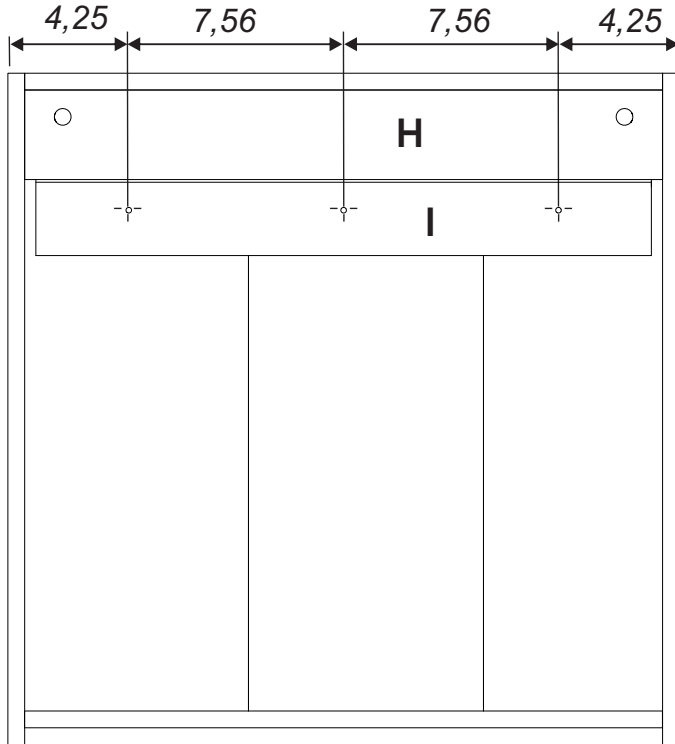
Side adjustment  
Ajuste lateral



Height adjustment  
Ajuste de altura



# 16 WALL PARED

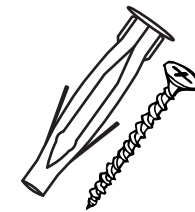
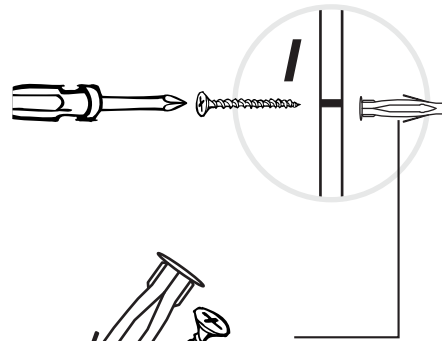


\*Measured in inch  
Medidas en pulgadas

\* Tools not included  
Herramientas  
NO incluidas

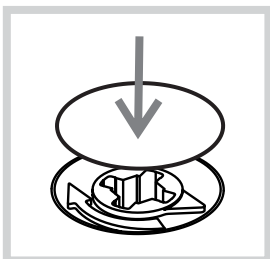


Use a 5/16" drill bit  
to drill the wall  
Utilizar una broca  
de 5/16" para hacer  
las perforaciones  
en el muro.



Wall Anchor  
Tornillo 2" +  
Chazo Mariposa

WALL / PARED



After you finish the adjustment  
of the cams, cover them with  
the cover caps.

Después de ajustar todas  
las cajas minifix, cúbralas con las  
tapas adhesivas.

**A**

After you finish assembling the  
cabinet, take off the adhesive  
letters.

Al terminar de armar, desprenda  
las letras adhesivas.

TUHOME Furniture has a 3 year warranty coverage in wooden parts and 1 year warranty coverage in hardware pieces since its manufacturing date, which you can see in the lot number printed on the product box and the assembly instructions leaflet.

Warranty covers materials and workmanship imperfections which impair the assembly or correct functioning of the cabinet.

This warranty is not valid if the defects or imperfections are caused by the incorrect following of the assembly instructions, warnings and recommendations, misuse, intentional damage, fire or flood, or after modifications or any kind of alteration, or repaired by someone not authorized by TUHOME Furniture, when it's been assembled 3 months after the date of purchase. These defects MUST be reported before the warranty coverage period ends. Once the product has been assembled, the company will not be responsible for defective and/or damaged parts.

This warranty is ONLY valid for the ORIGINAL PURCHASER, it doesn't apply if the product has been resold, rented, etc.

TUHOME Furniture will take no liability for incidental or consequential damages caused to or by the product (This may not apply in your state).

To make this warranty valid you must write to our customer service email describing the product defect, lot number and submitting your sales receipt or proof of purchase, or contact us at our customer service line. Replaced parts will be under the product's original warranty coverage period. Damaged parts will become property of the company.

There are no other warranties applicable to this product.

**IF ANY PARTS ARE BROKEN OR MISSING PLEASE  
CONTACT US AT: 1-888-391-01-66 /  
customerservicetuhome@rta.com.co  
OUR CUSTOMER SERVICE TEAM WILL PROVIDE  
YOU HELP TO RESOLVE ANY ISSUES IMMEDIATELY**