



Height: 71,1 in Alto: 180,6 cm
Width: 47,3 in Ancho: 120 cm
Depth: 19,45 in Fondo: 49,4 cm

LOT N°

REF./SKU. CWZ5950

**IF ANY PARTS ARE BROKEN OR
MISSING PLEASE CONTACT US**

AT: 1-888-391-01-66 /

customerservicetuhome@rtā.com.co

**OUR CUSTOMER SERVICE TEAM WILL PROVIDE
YOU HELP TO RESOLVE ANY ISSUES IMMEDIATELY**

BOLTON 120 MIRRORED ARMOIRE
Armario con Espejo Bolton 120



IMPORTANT RECOMMENDATIONS

Do not paint the cabinet.

The cabinet **MUST** be used exclusively indoors, do not expose to direct sun.

Clean metallic hardware with a dry cloth.

Do **NOT** overload the cabinet (see suggested loads).

Do not hit or hammer the cabinet (just when indicated).

Clean with a slightly damp cloth, use gentle soaps.

Do not drag, lift and move between two people.

Avoid direct contact with water, fire or exposure to heat sources.

RECOMENDACIONES IMPORTANTES

No pintar el mueble.

El mueble debe ser usado únicamente en interiores, no exponer al sol directo.

Limpiar los herrajes metálicos con un paño seco.

NO sobrecargar el mueble (ver las cargas sugeridas).

No golpear ni martillar el mueble (solo cuando se indique).

Limpiar con un paño ligeramente húmedo, usar jabones suaves.

No arrastre el mueble, levántelo entre dos personas.

Evite el contacto directo con el agua, el fuego o la exposición a fuentes de calor.



WARNING

Never allow children to climb or manipulate the cabinet, furniture tip over can cause serious injuries or death.



ADVERTENCIA

Nunca permita que los niños escalen o manipulen el mueble, la caída de este puede provocar lesiones graves o la muerte.

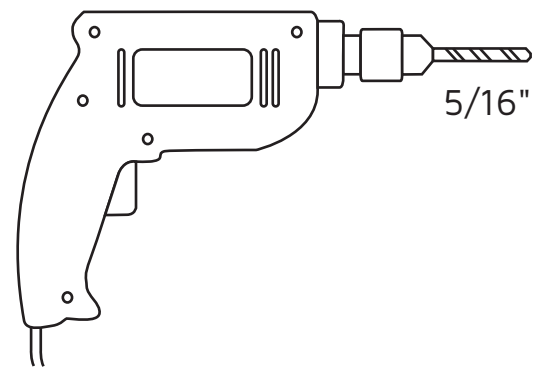
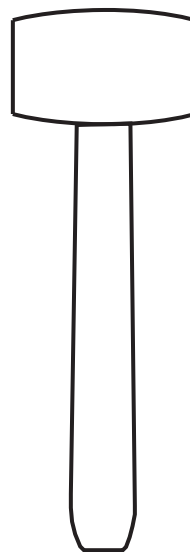
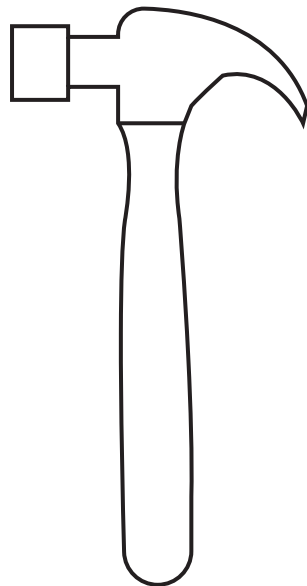
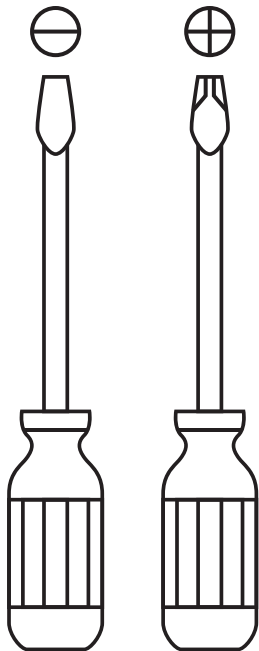
INDEX

Assembly Hardware	4
Assembly Parts	5
Suggested Loads.....	6
Assembly Recommendations.....	6
Assembly Steps	7-28
Warranty.....	29

ÍNDICE

Herrajes para Armado.....	4
Piezas de Armado.....	5
Cargas Sugeridas.....	6
Recomendaciones de Ensamble.....	6
Pasos de Armado.....	7-28
Garantía	29

REQUIRED TOOLS*



*Not included, and not shown actual size.

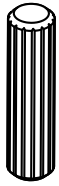
*No incluidas y no se muestran en tamaño real.

ASSEMBLY HARDWARE

HERRAJES PARA ARMADO

Please check that the hardware content is correct. If any item is missing, please call to our customer service line.

Compruebe que el contenido de los herrajes sea el correcto. En caso de que falte alguna pieza, por favor llame a nuestra línea de atención al cliente.



x72

Wood Dowel
Tarugo



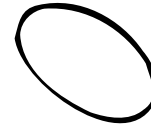
x51

Spreading Bolt
Perno Minifix



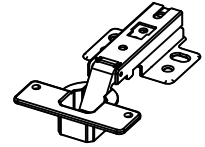
x51

Minifix Cams
Minifix



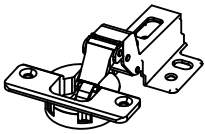
x51

Cover Caps
Tapa Adhesiva Minifix



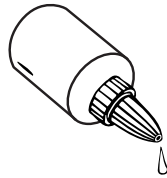
x6

Full Overlay Hinge
(Screws included)
Bisagra Parche
(Incluye Tornillos)



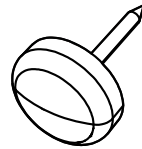
x3

Half Overlay Hinge
(Screws included)
Bisagra
Semi-Parche
(Incluye Tornillos)



x3

Glue
Pegante



x10

Nail-on Glide
Deslizador
Puntilla



x8

2" Drywall Screw
Tornillo de
Ensamble 2"



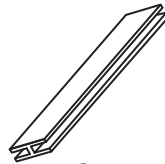
x4

Flat Head
Screw
Tornillo Lámina



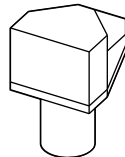
x5

Handle
(Screws included)
Manija
(Incluye Tornillos)



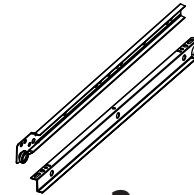
x1

Guide Profile
Perfil H/



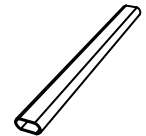
x9

Shelf support
Soporte Entrepaño



x2

Drawer Slides
(Screws included)
Riel
(Incluye Tornillos)



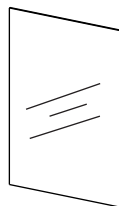
x1

Closet Rod
Tubo
Ovalado



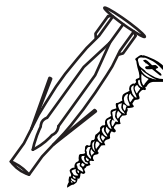
x2

Rod Support
Soporte Tubo



x1

Mirror
Espejo



x3

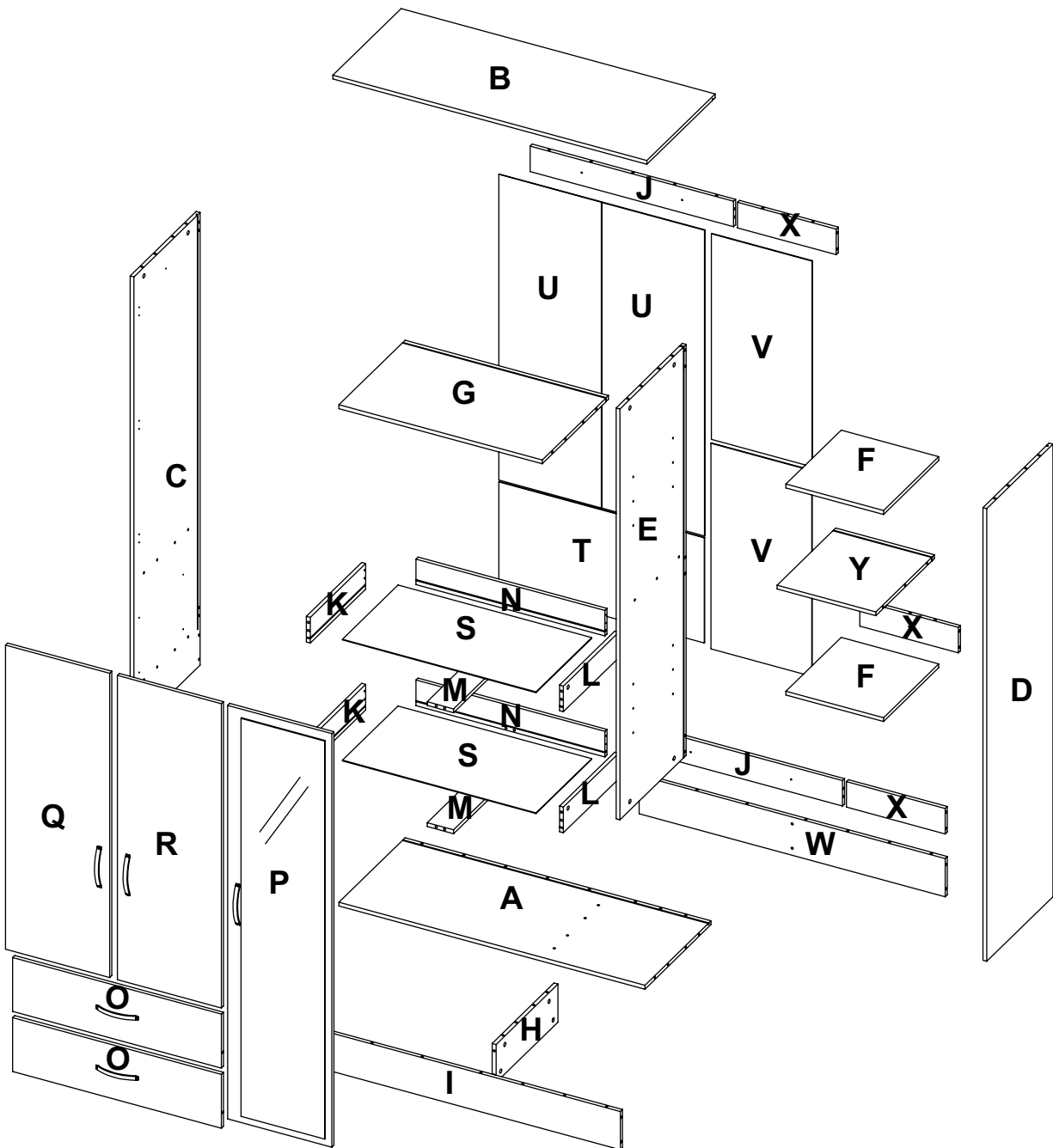
Chazo Mariposa+
Tornillo Ensamble
Drywall Screw+
Wall Anchor

Hardware items are NOT shown actual size.

Los herrajes no se muestran en el tamaño real.

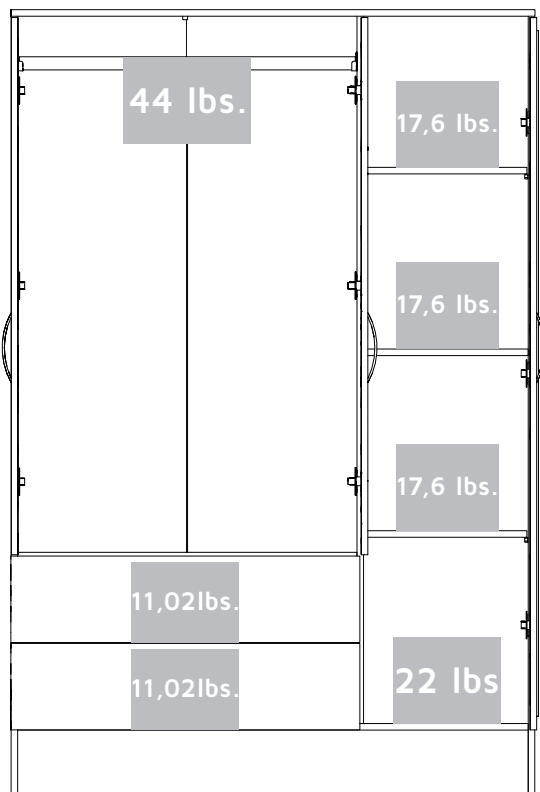
ASSEMBLY PARTS

PIEZAS DE ARMADO



A - x1	G - x1	M - x2	S - x2	Y - x1
B - x1	H - x1	N - x2	T - x1	
C - x1	I - x1	O - x2	U - x2	
D - x1	J - x2	P - x1	V - x1	
E - x1	K - x2	Q - x1	W - x1	
F - x2	L - x2	R - x1	X - x3	

MAX SUGGESTED LOADS



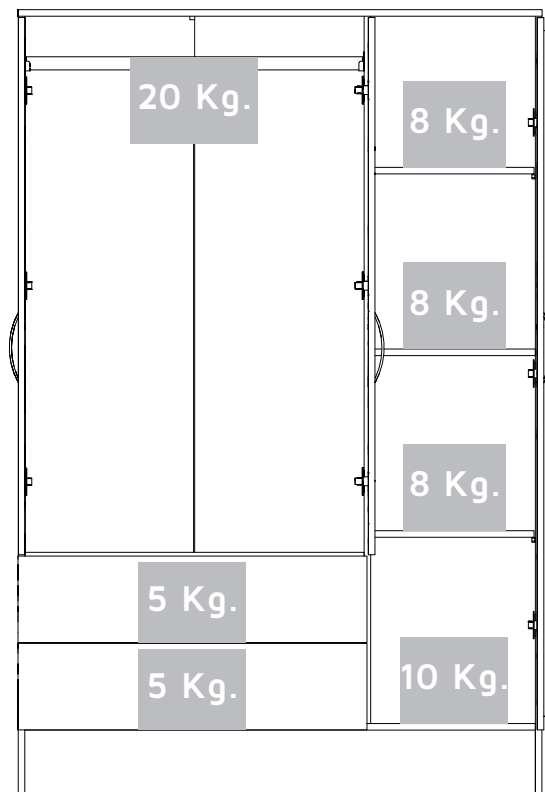
ASSEMBLY RECOMMENDATIONS

Two people are recommended to assemble the product.

Assemble the cabinet on a flat, smooth surface, preferably on a carpeted floor or the carton box of the product.

Carefully read the assembly instructions and identify every wood and hardware part before start assembling the cabinet.

CARGAS MÁXIMAS SUGERIDAS



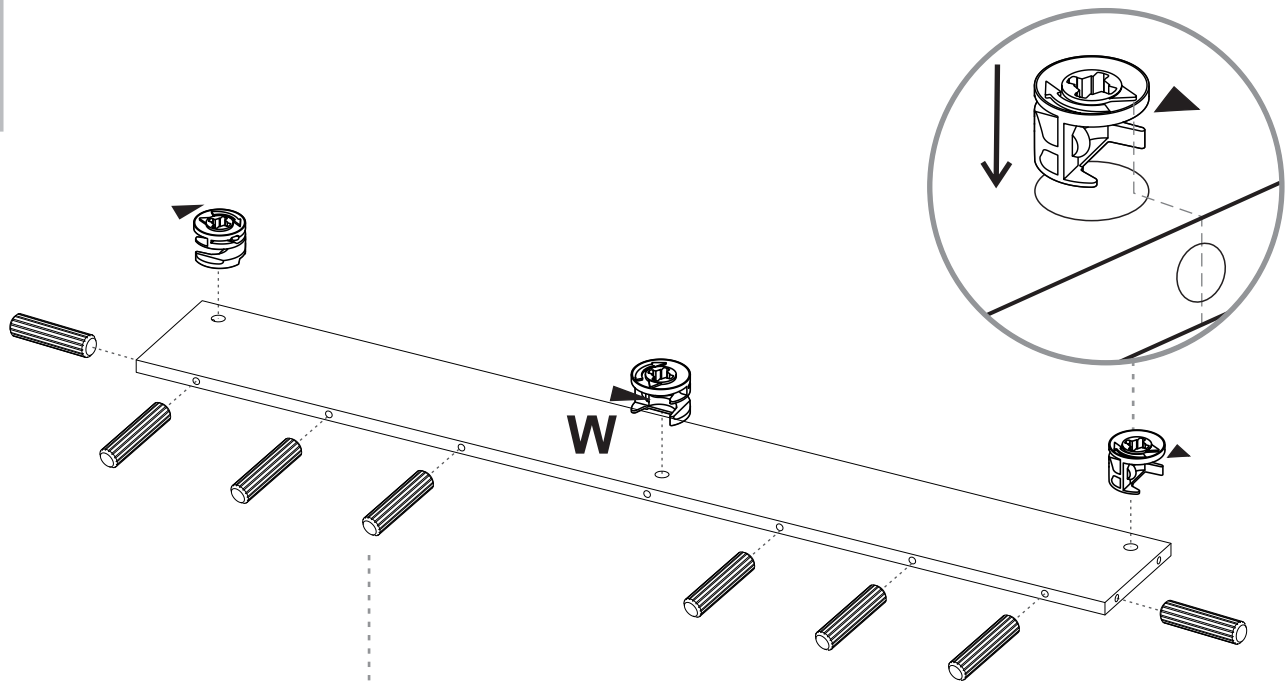
RECOMENDACIONES DE ENSAMBLE

Ensamble el mueble entre dos personas.

Ensamble el mueble sobre una superficie plana y lisa, preferiblemente sobre un tapete o el cartón de la caja

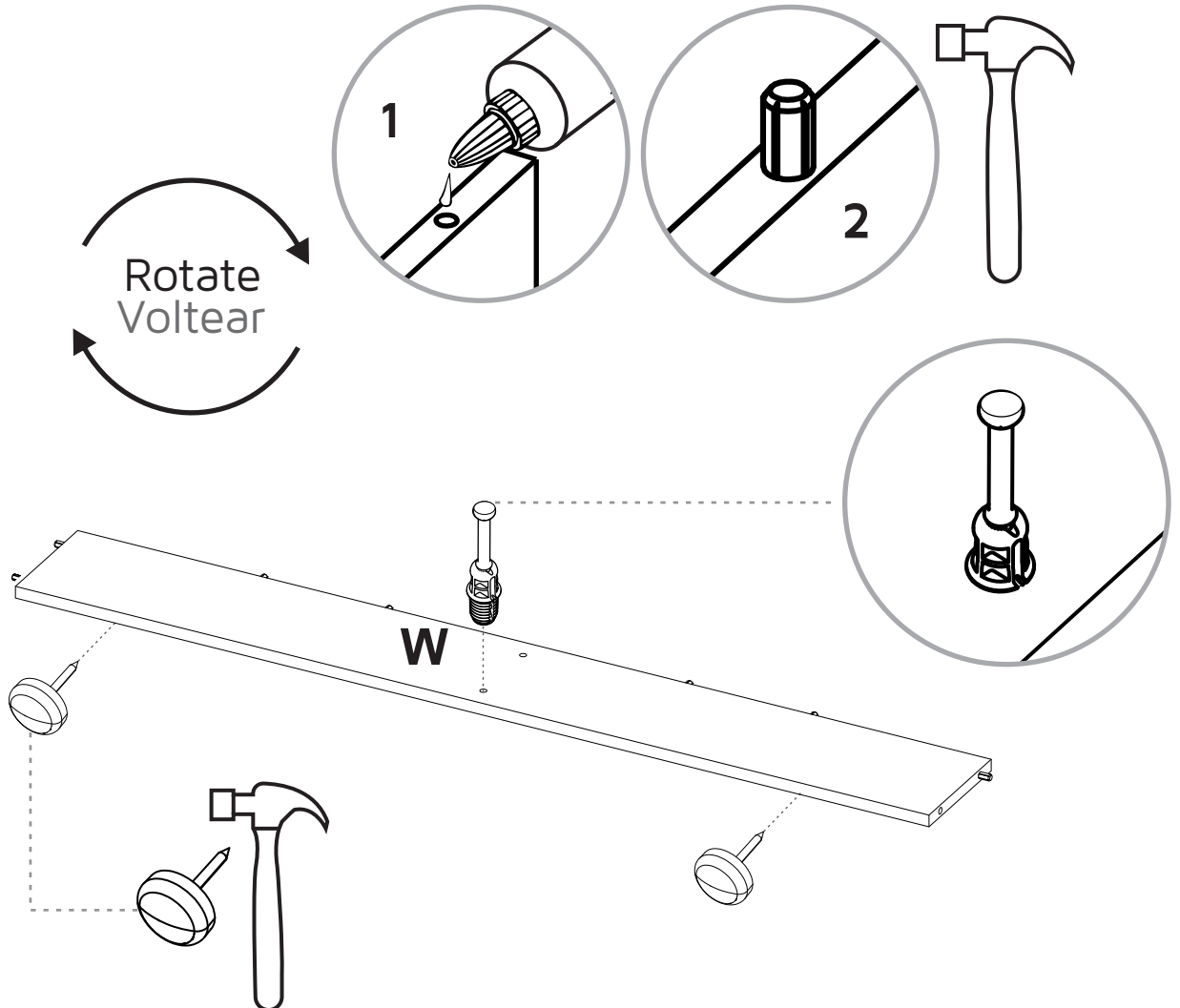
Lea cuidadosamente las instrucciones e identifique todas las piezas y herrajes antes de empezar a armar el mueble.

1

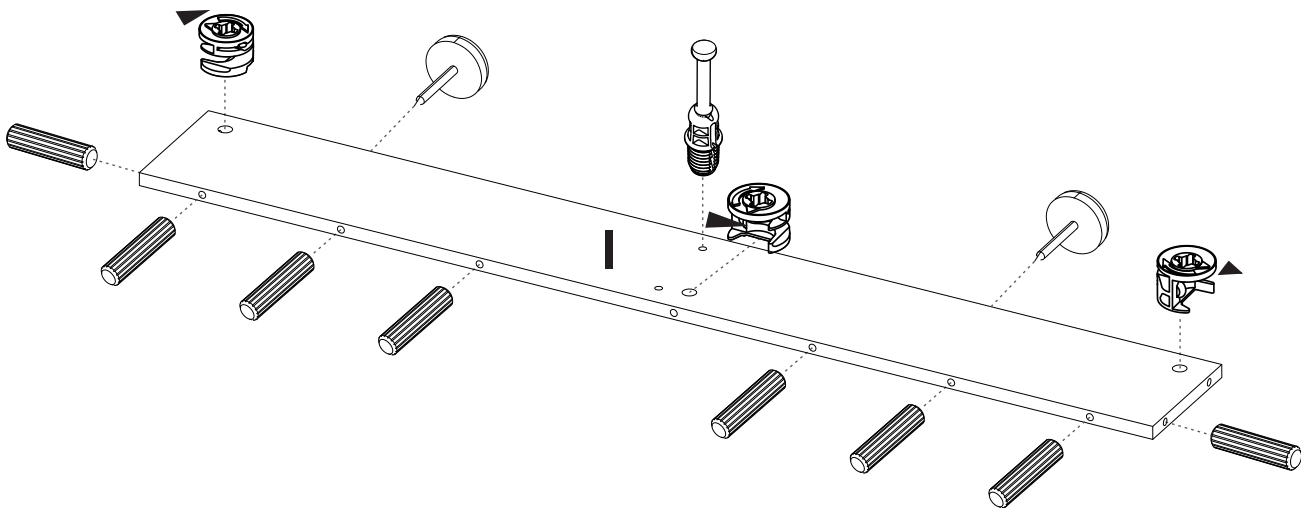


Repeat this in the following steps.
Repita esto en todos los ensambles

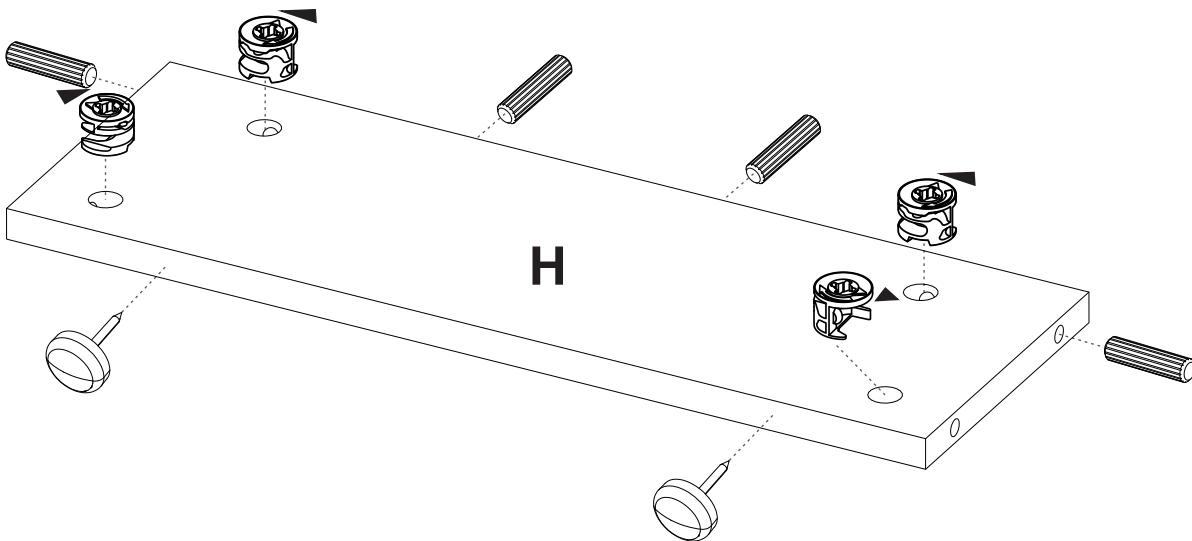
2



3

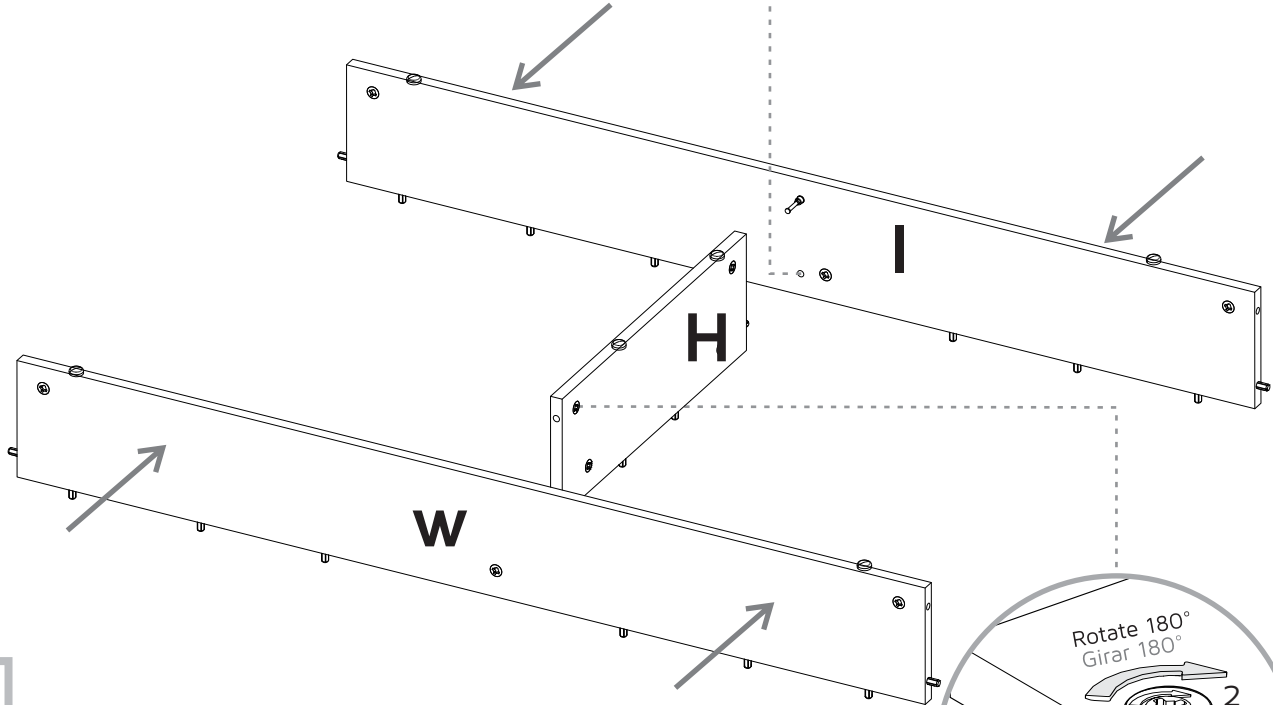
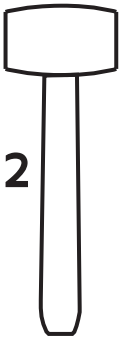
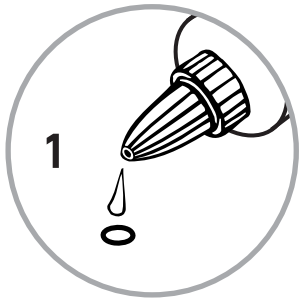


4

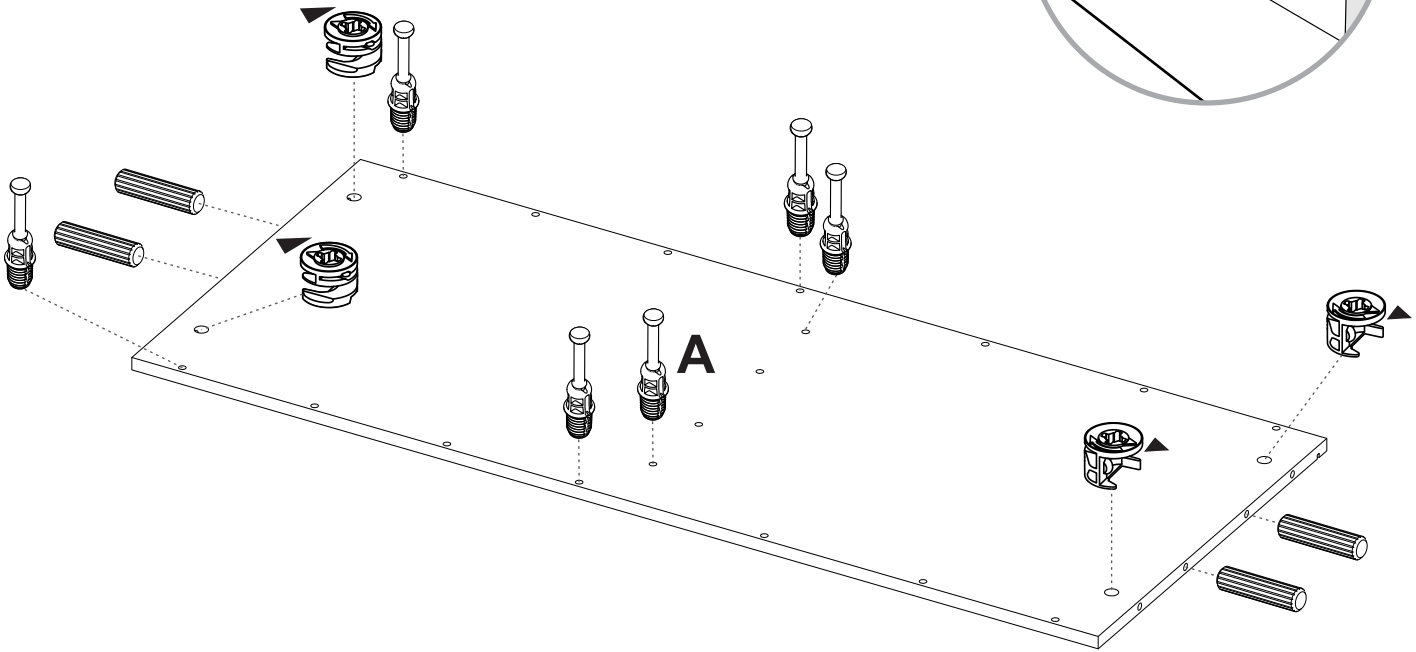
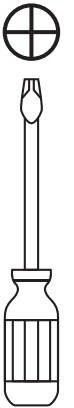
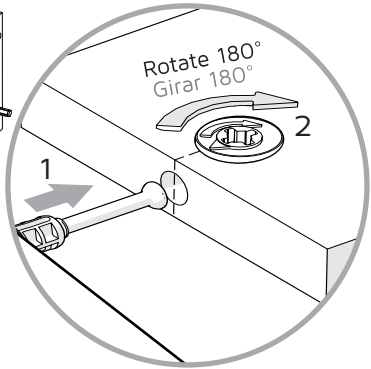


5

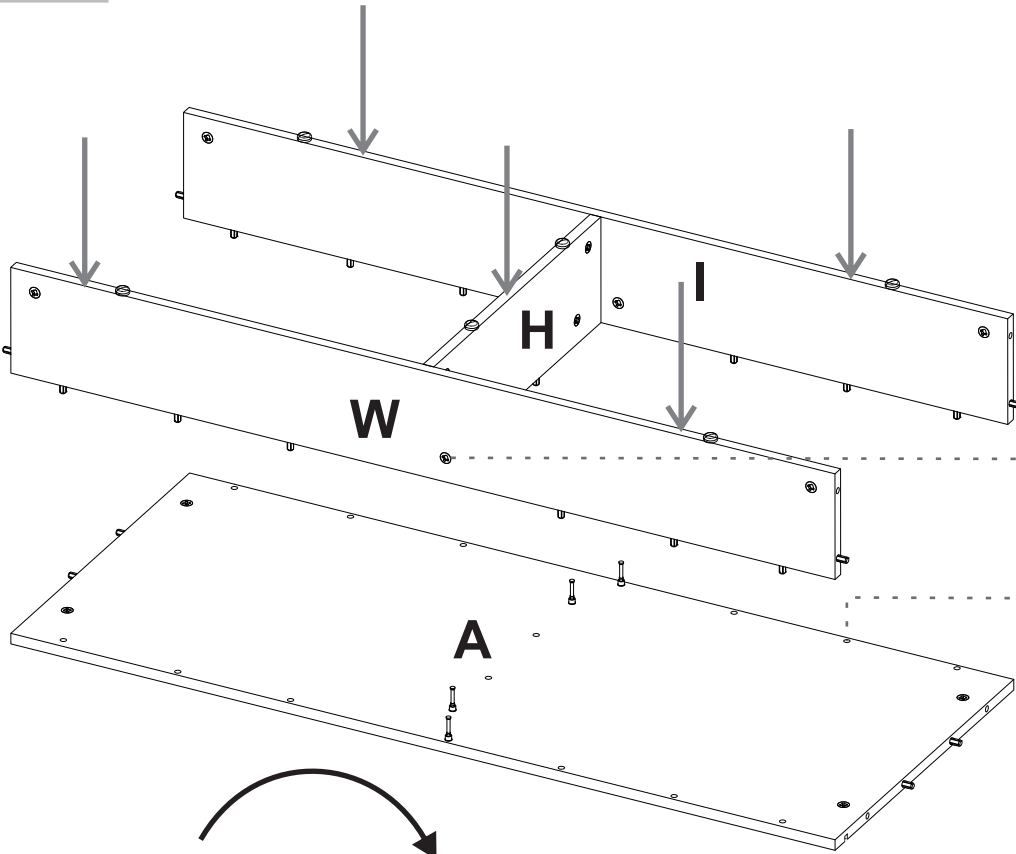
Gently hit the pieces with a rubber hammer to adjust the joint.
Golpee suavemente la pieza con un martillo de goma para ajustar el ensamble.



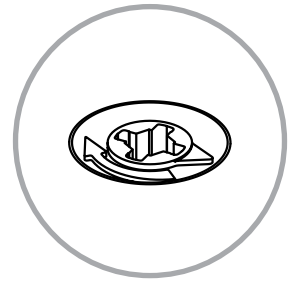
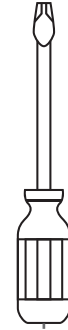
6



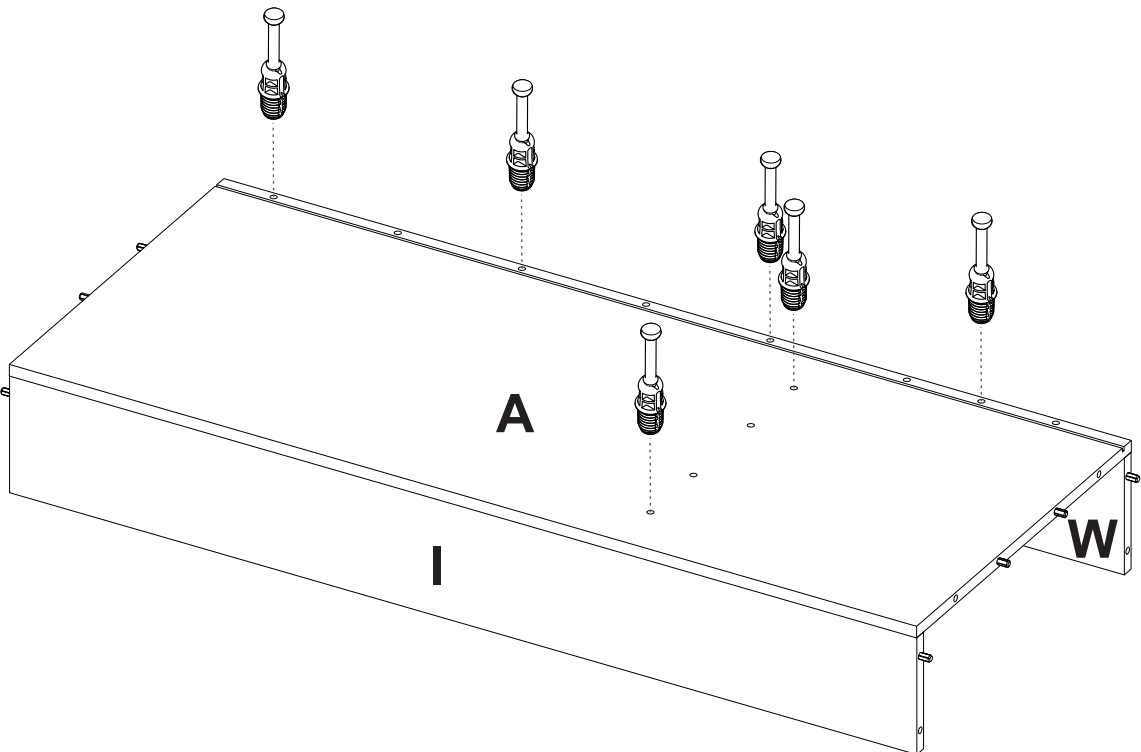
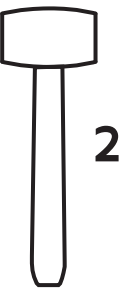
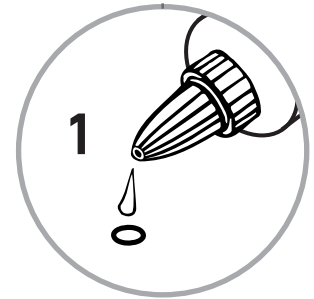
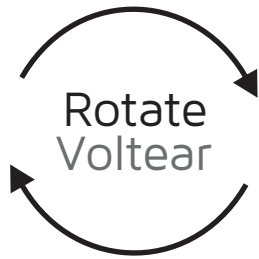
7



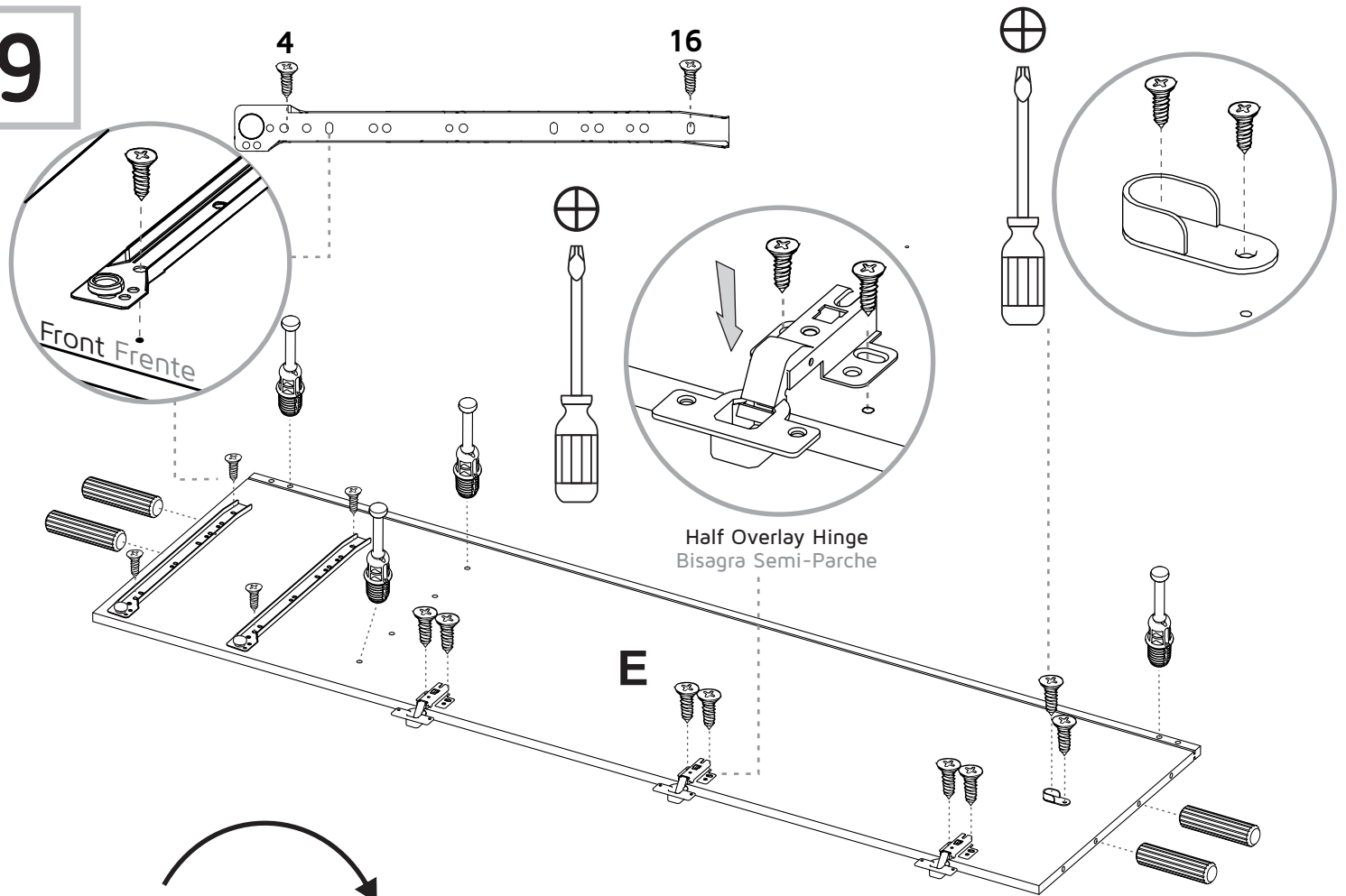
Rotate to tighten.
Gire para apretar.



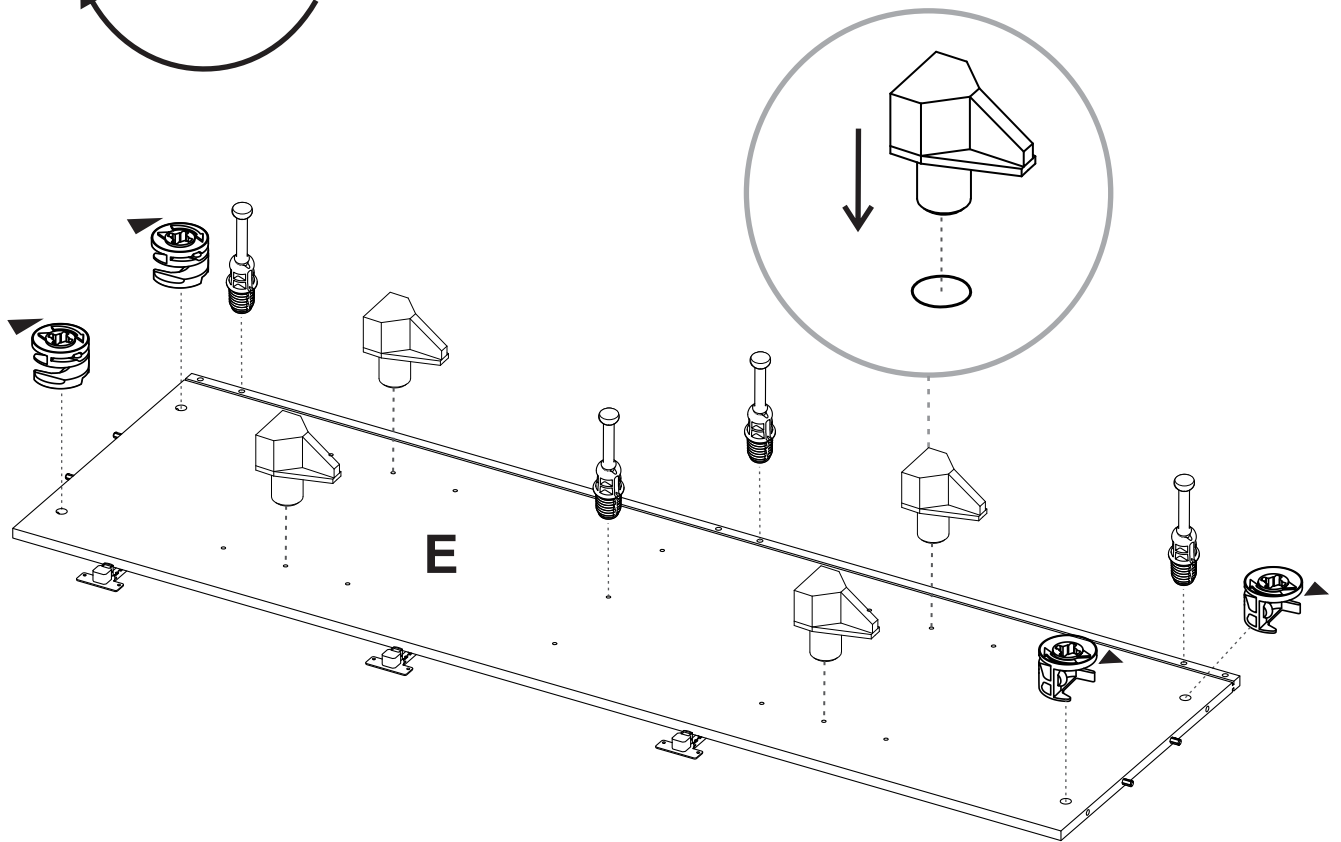
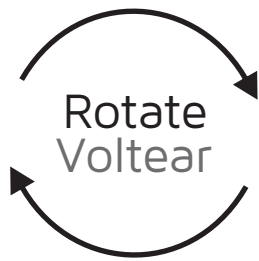
8



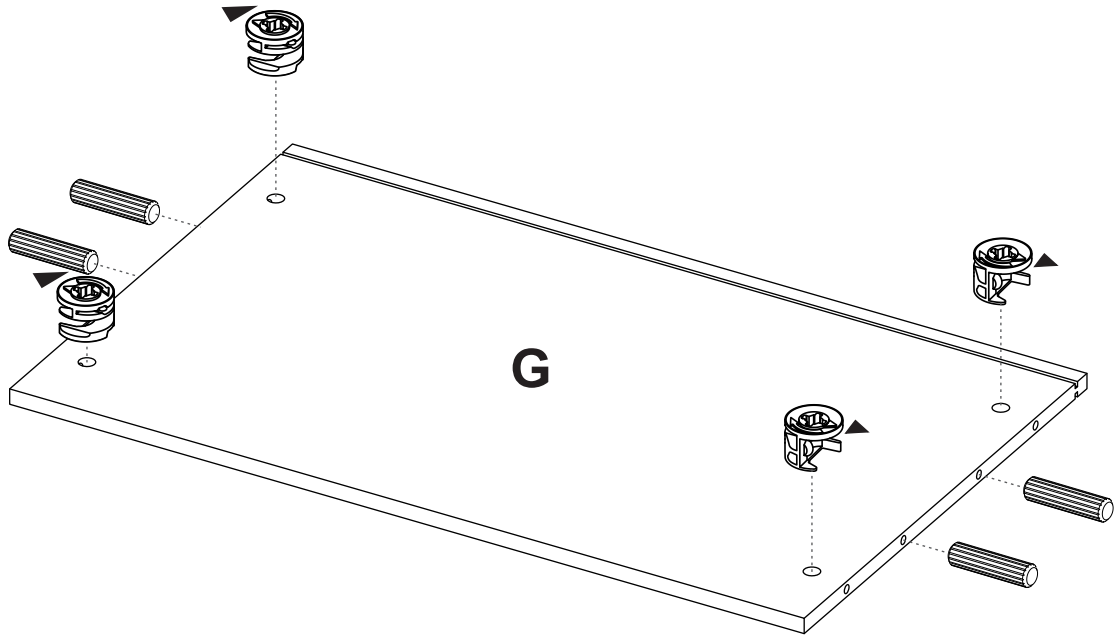
9



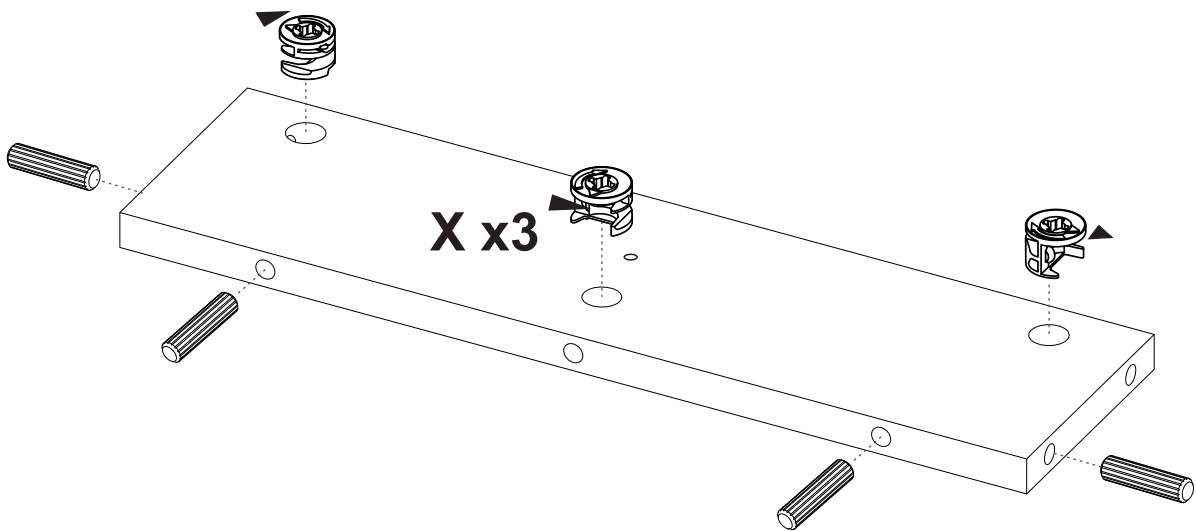
10



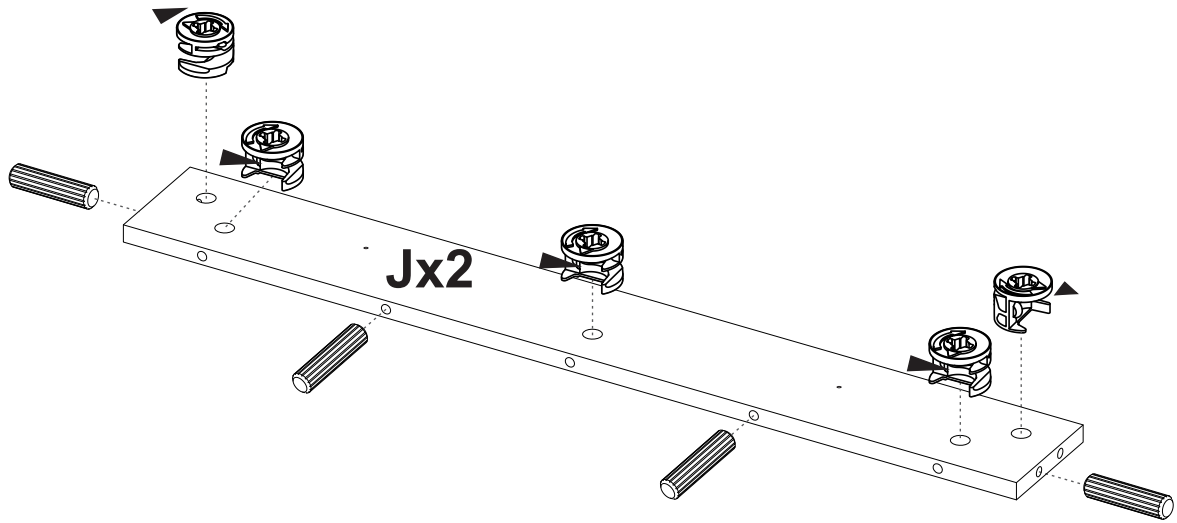
11



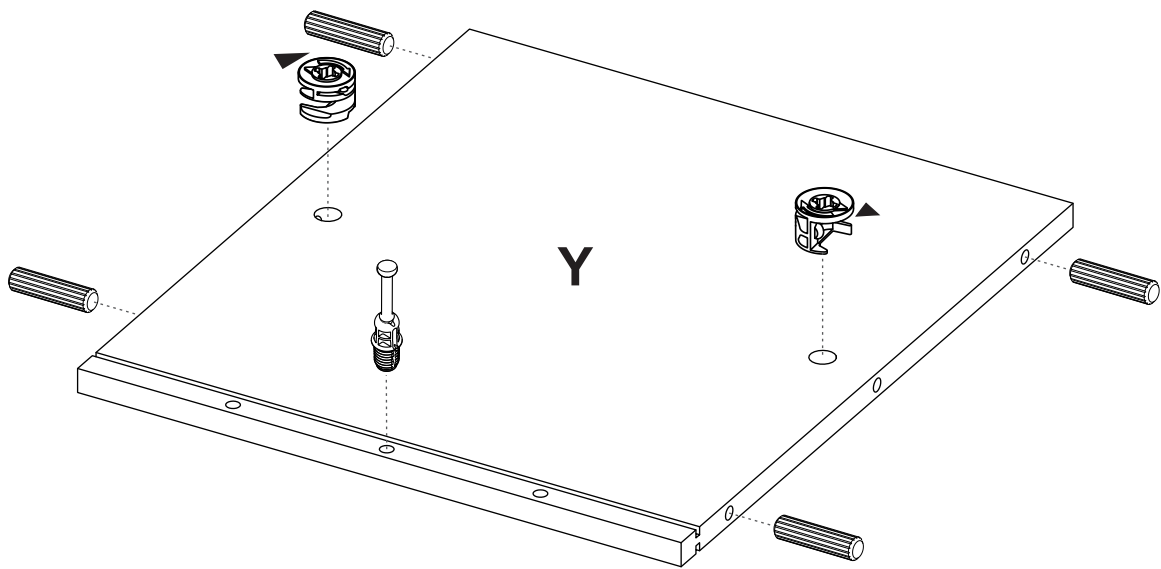
12



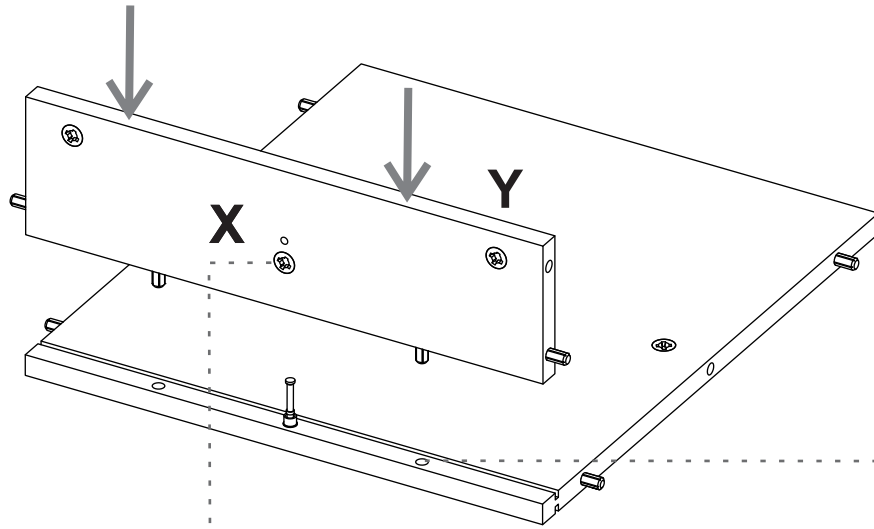
13



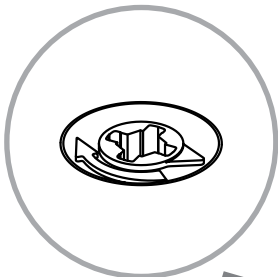
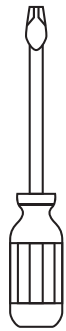
14



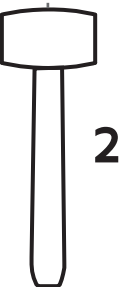
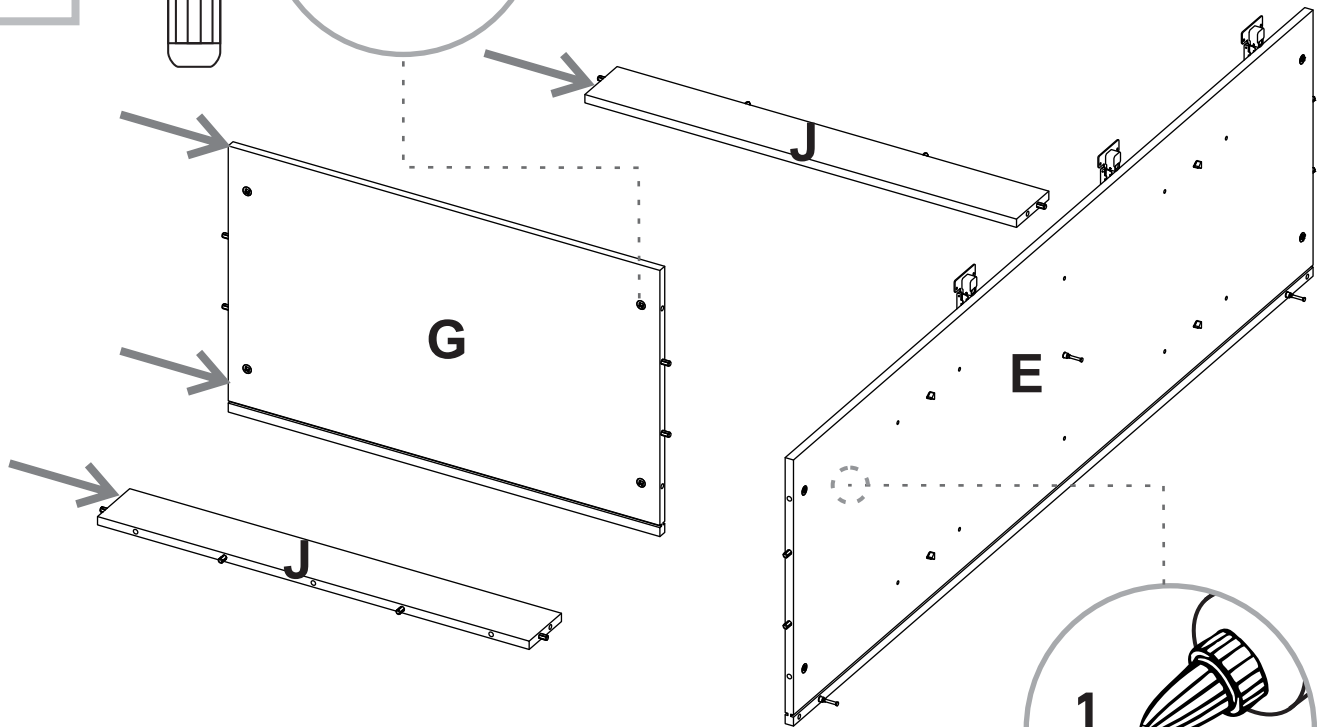
15



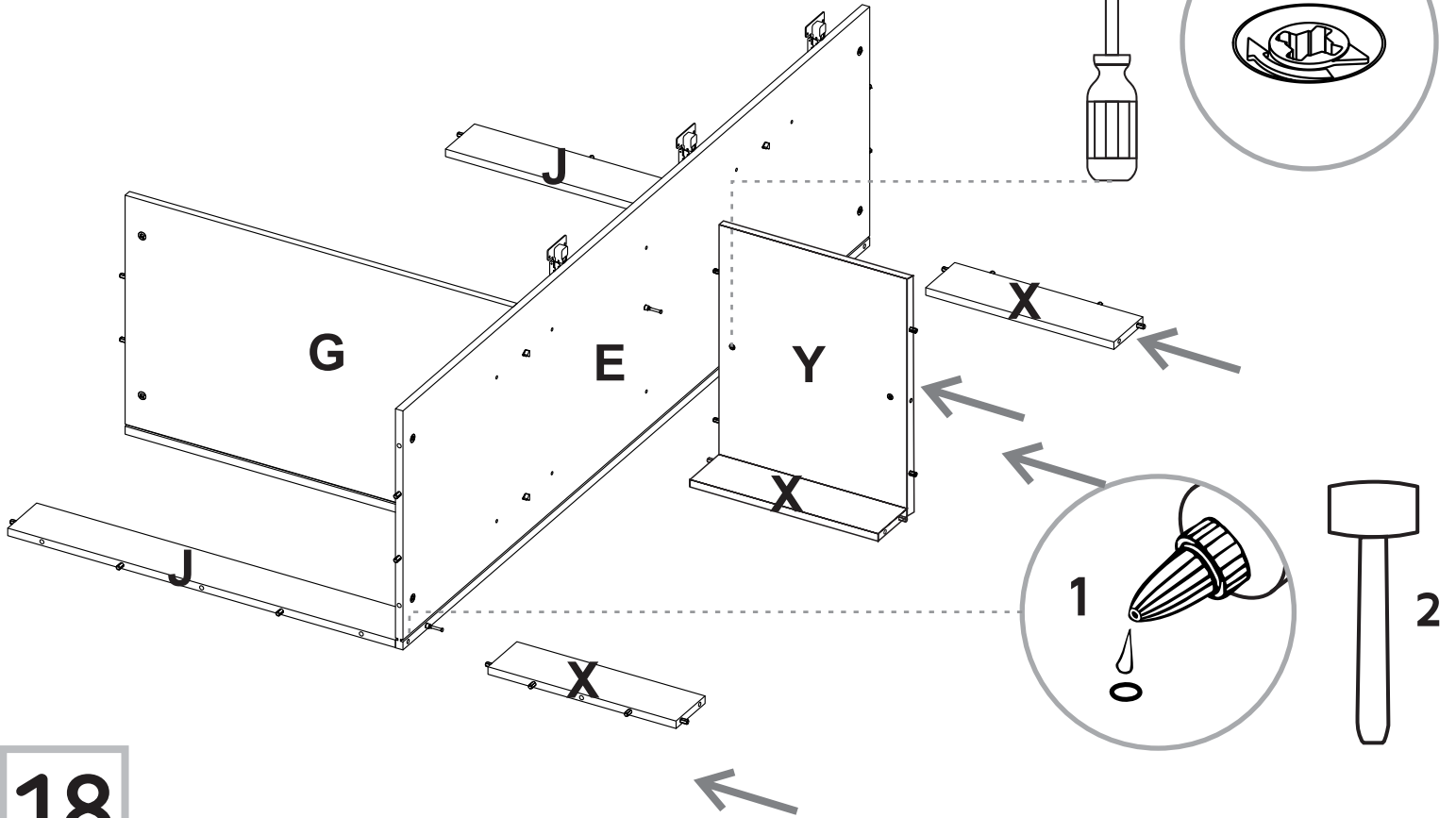
Rotate to tighten.
Gire para apretar.



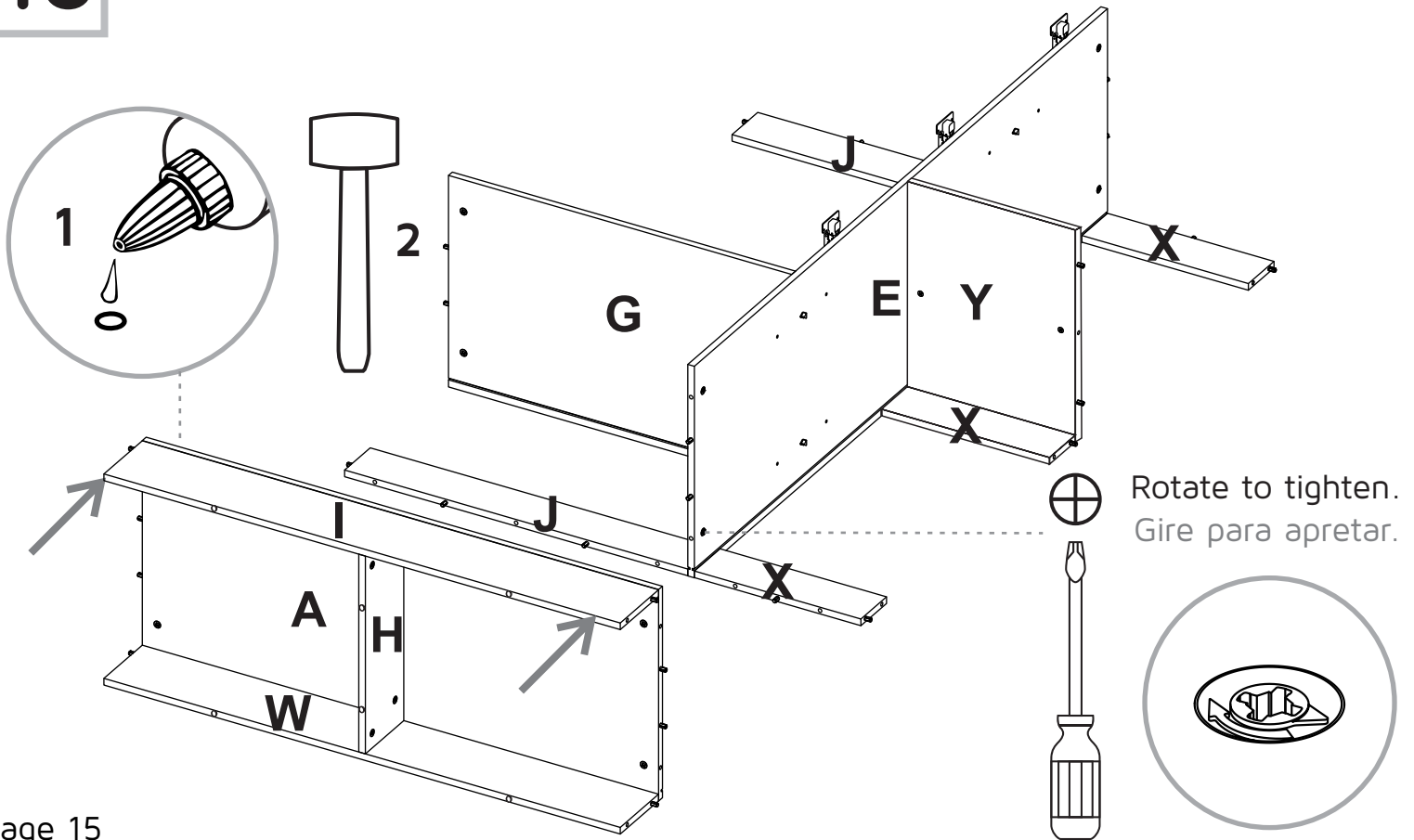
16



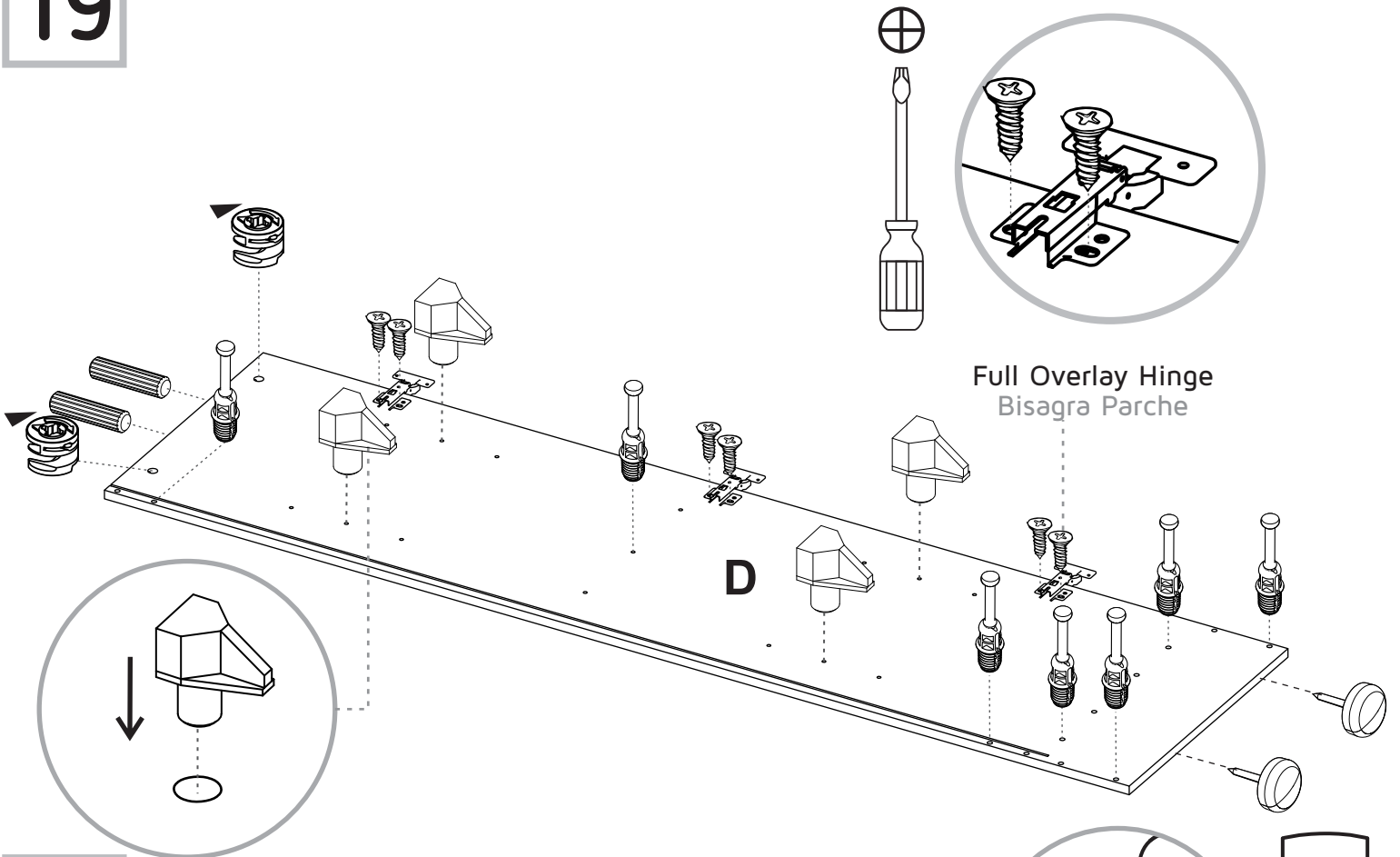
17



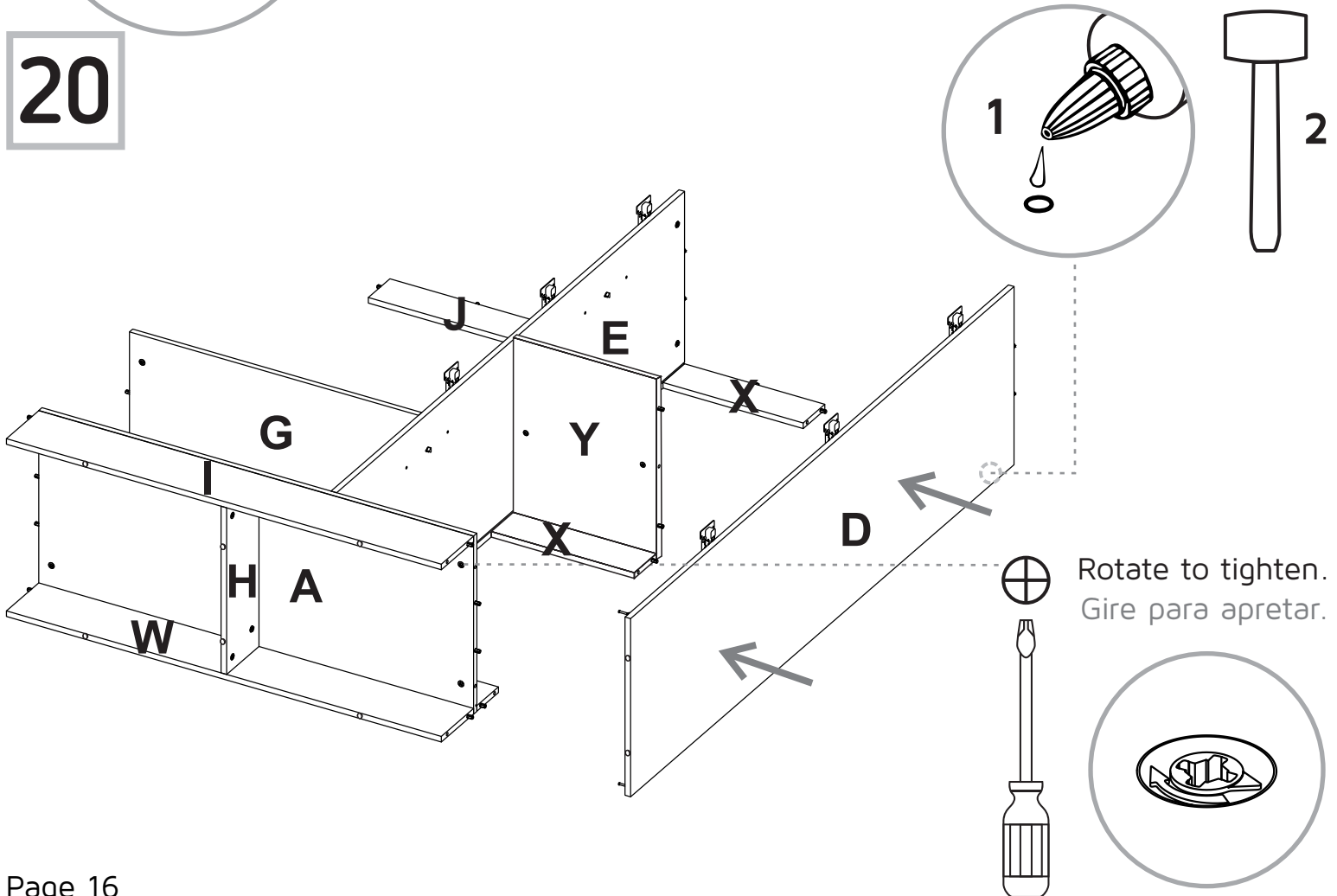
18



19

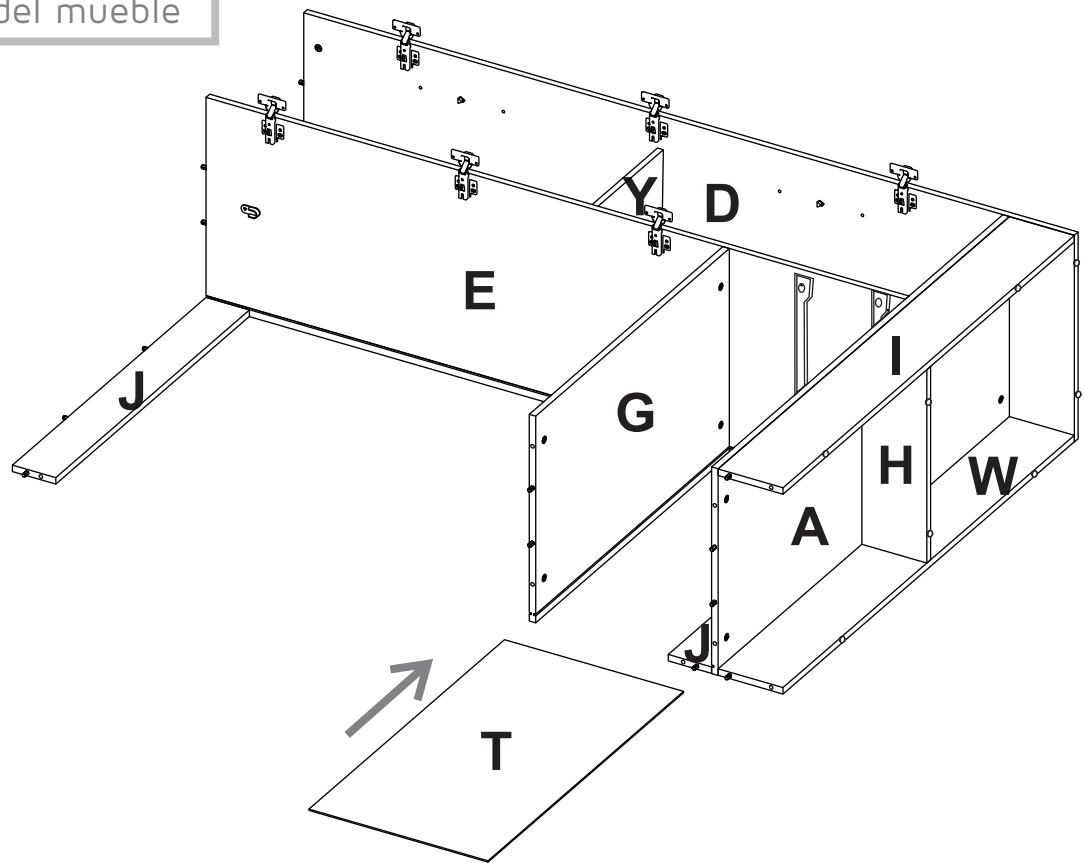


20

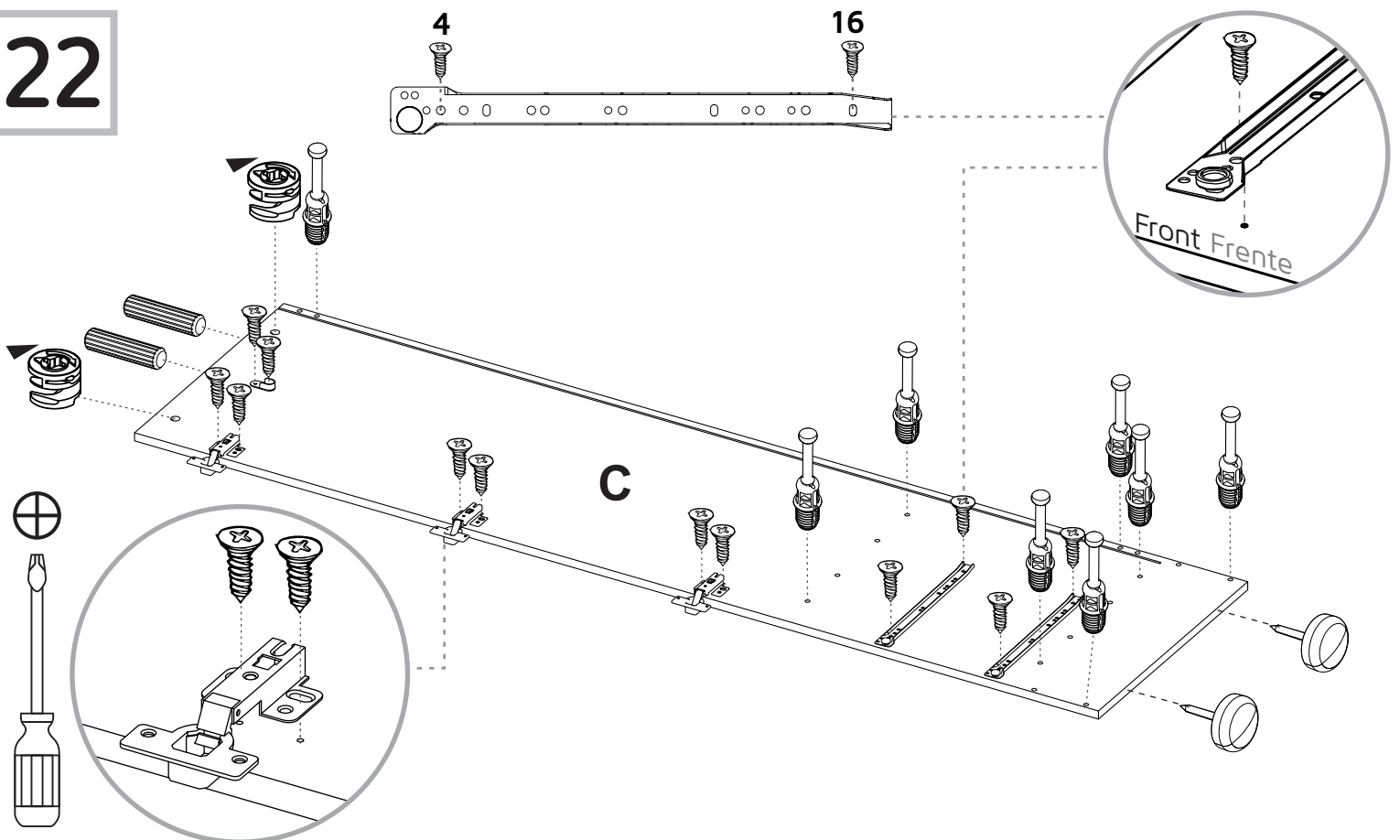


21

Slide the back panels
inside the cabinet
Deslice los fondos
dentro del mueble



22

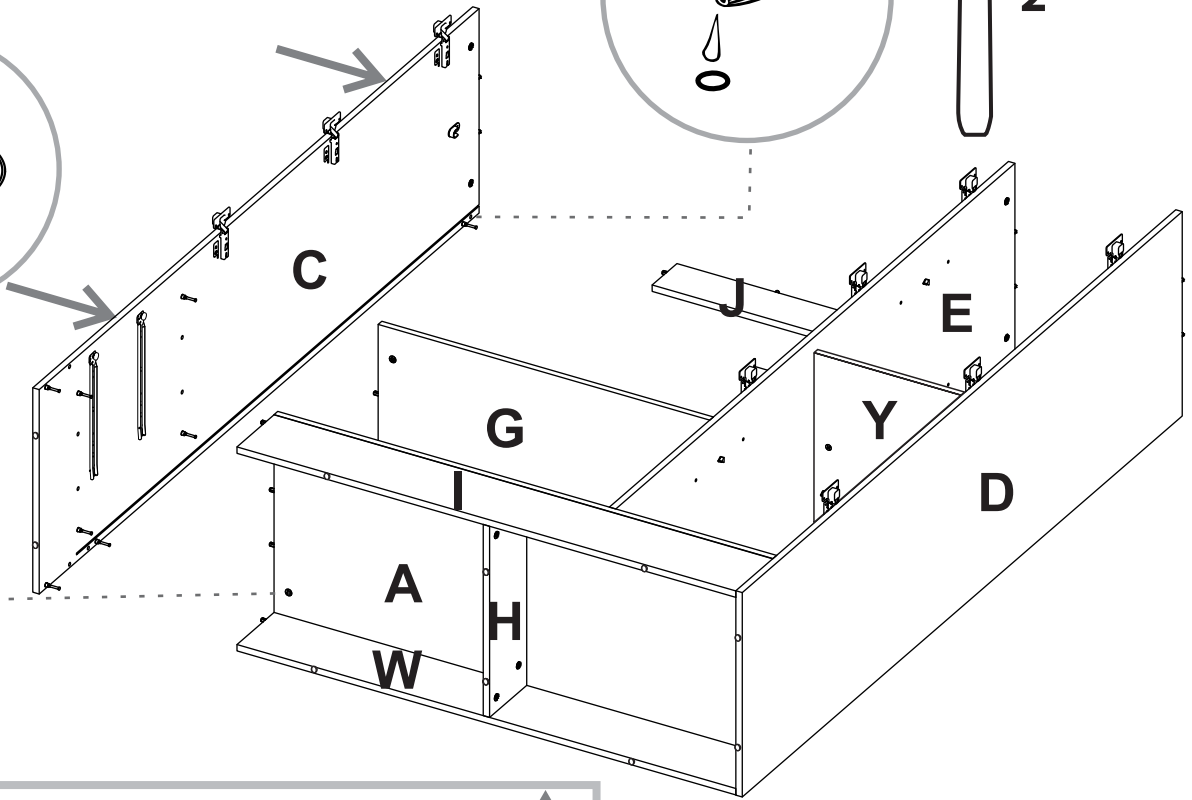
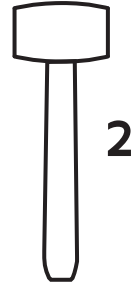
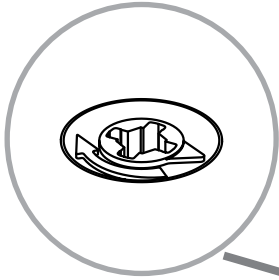
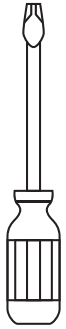


Full Overlay Hinge
Bisagra Parche

23

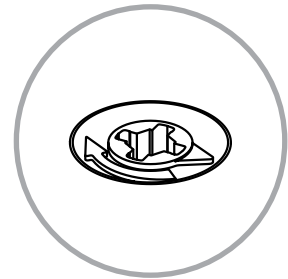
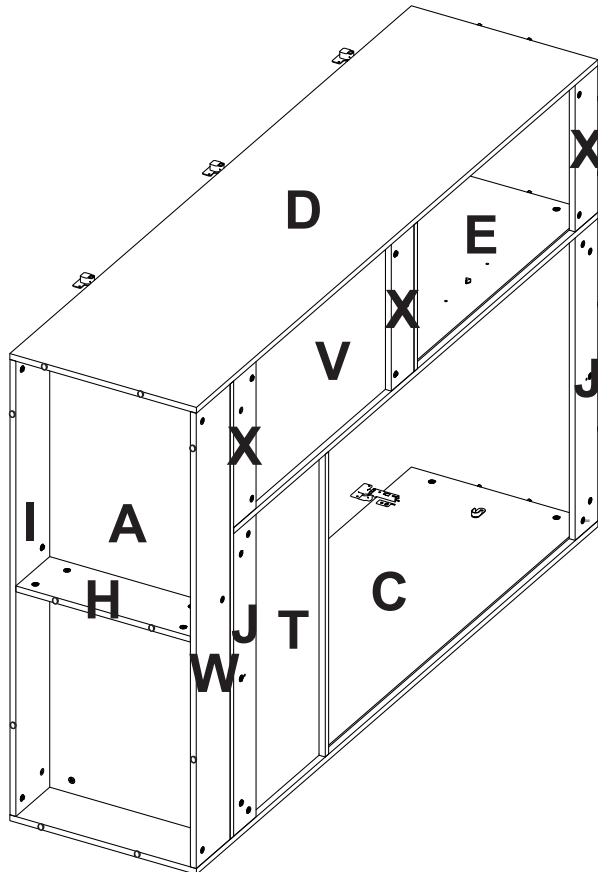


Rotate to tighten.
Gire para apretar.



24

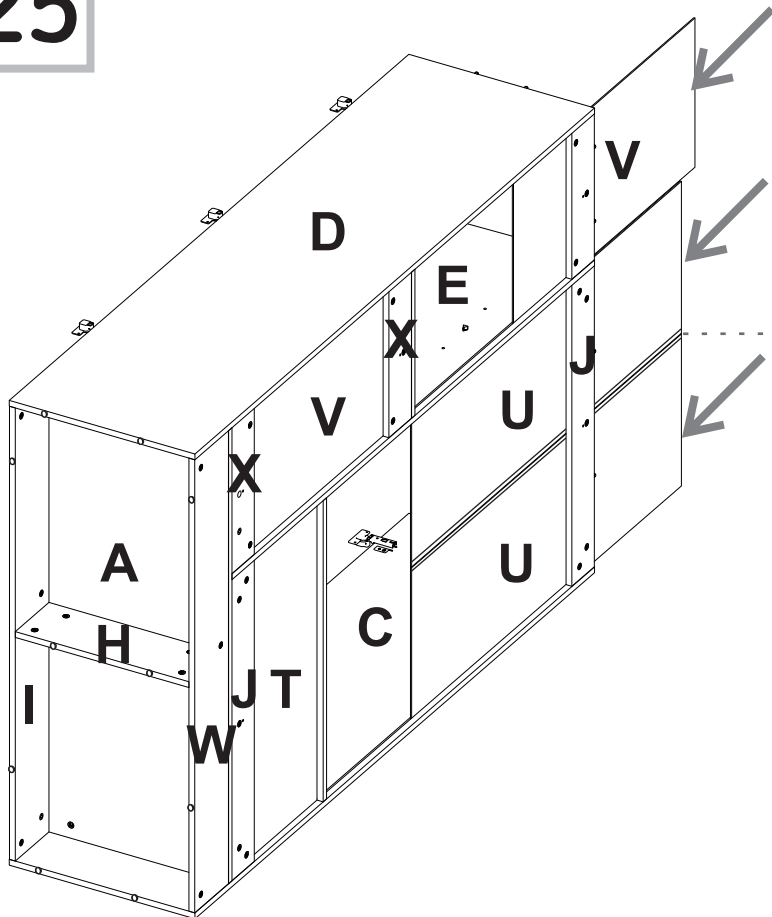
CAREFULLY FLIP THE FURNITURE /
VOLTEAR EL MUEBLE CUIDADOSAMENTE 



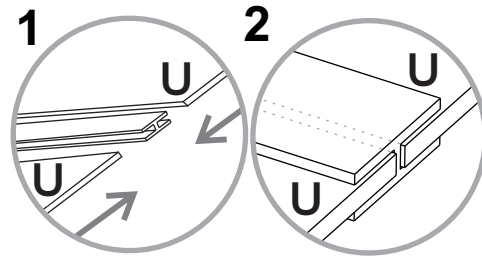
Rotate to tighten.
Gire para apretar.

Tighten up all back
Minifix Cams
Ajuste todas los
Minifix posteriores

25

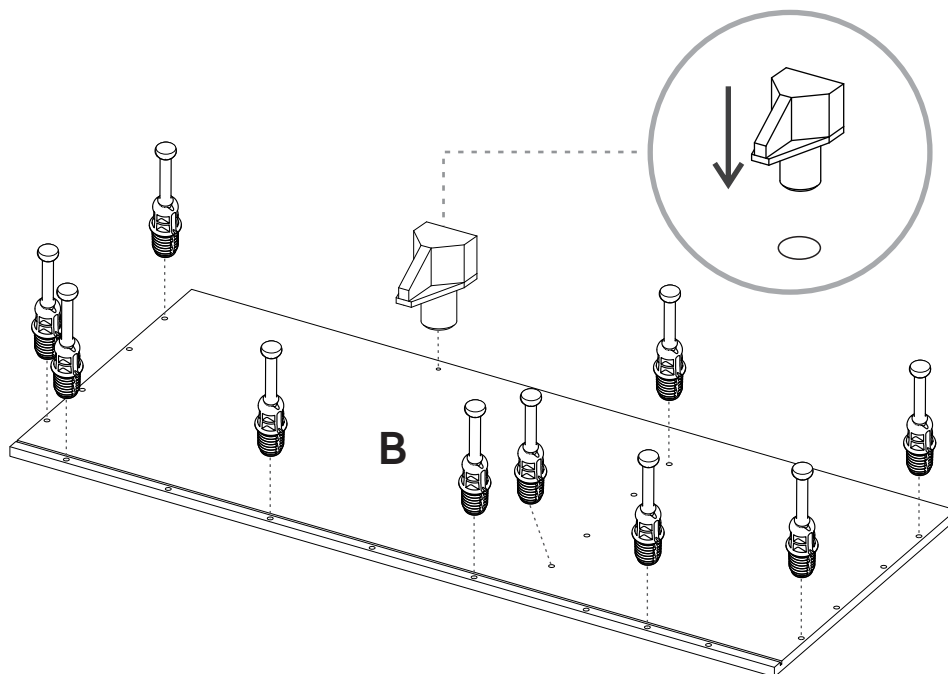


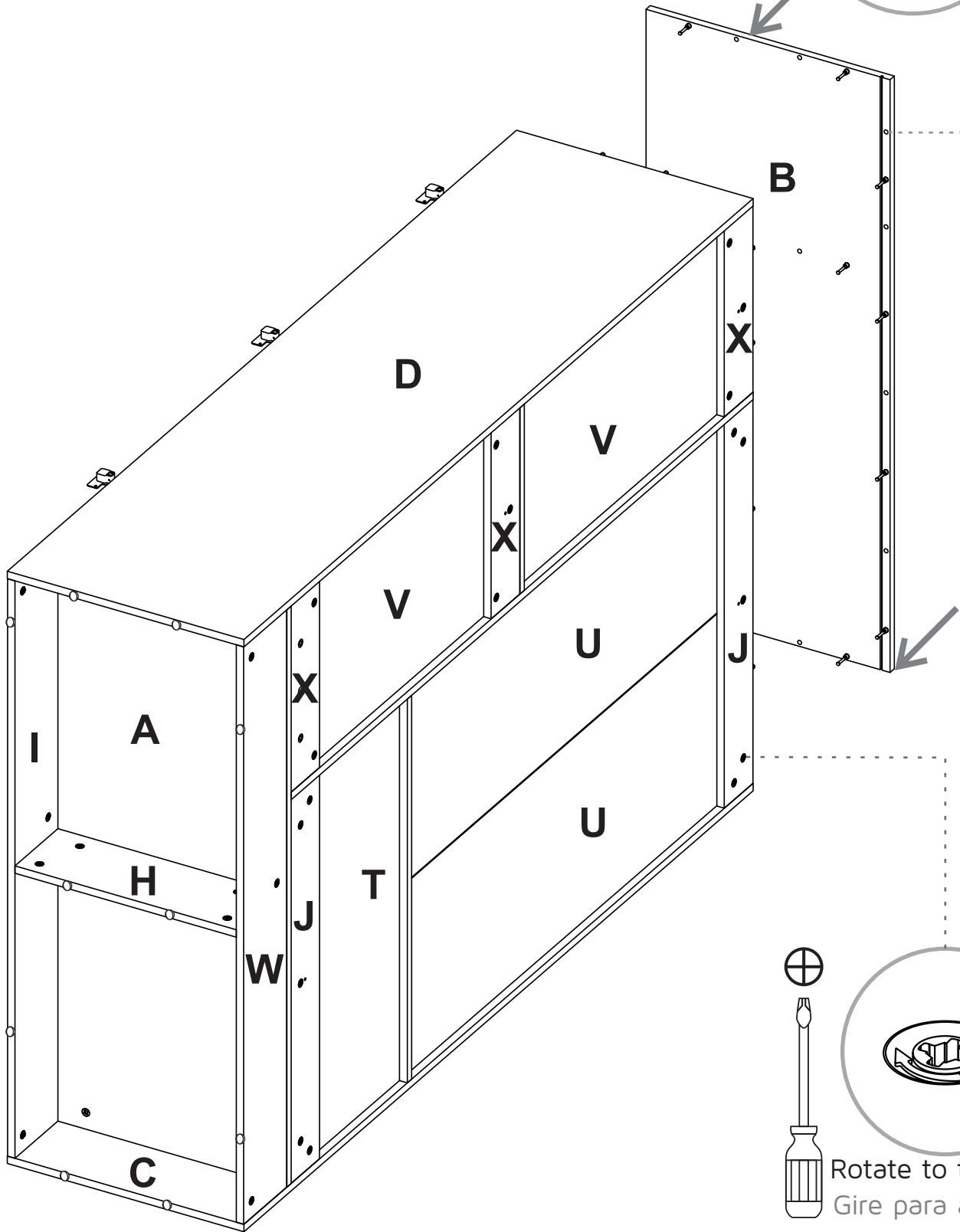
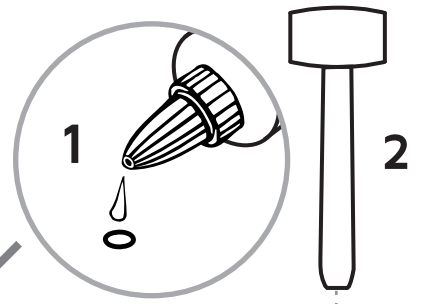
Guide Profile
Perfil H



Slide the back panels
inside the cabinet
Deslice los fondos
dentro del mueble

26



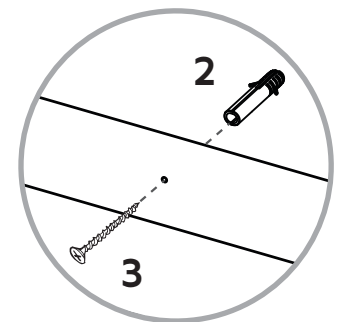
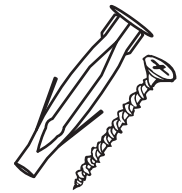
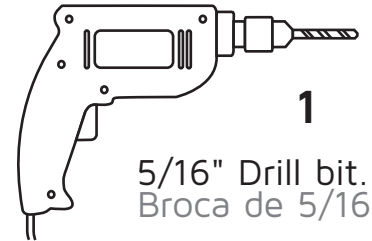
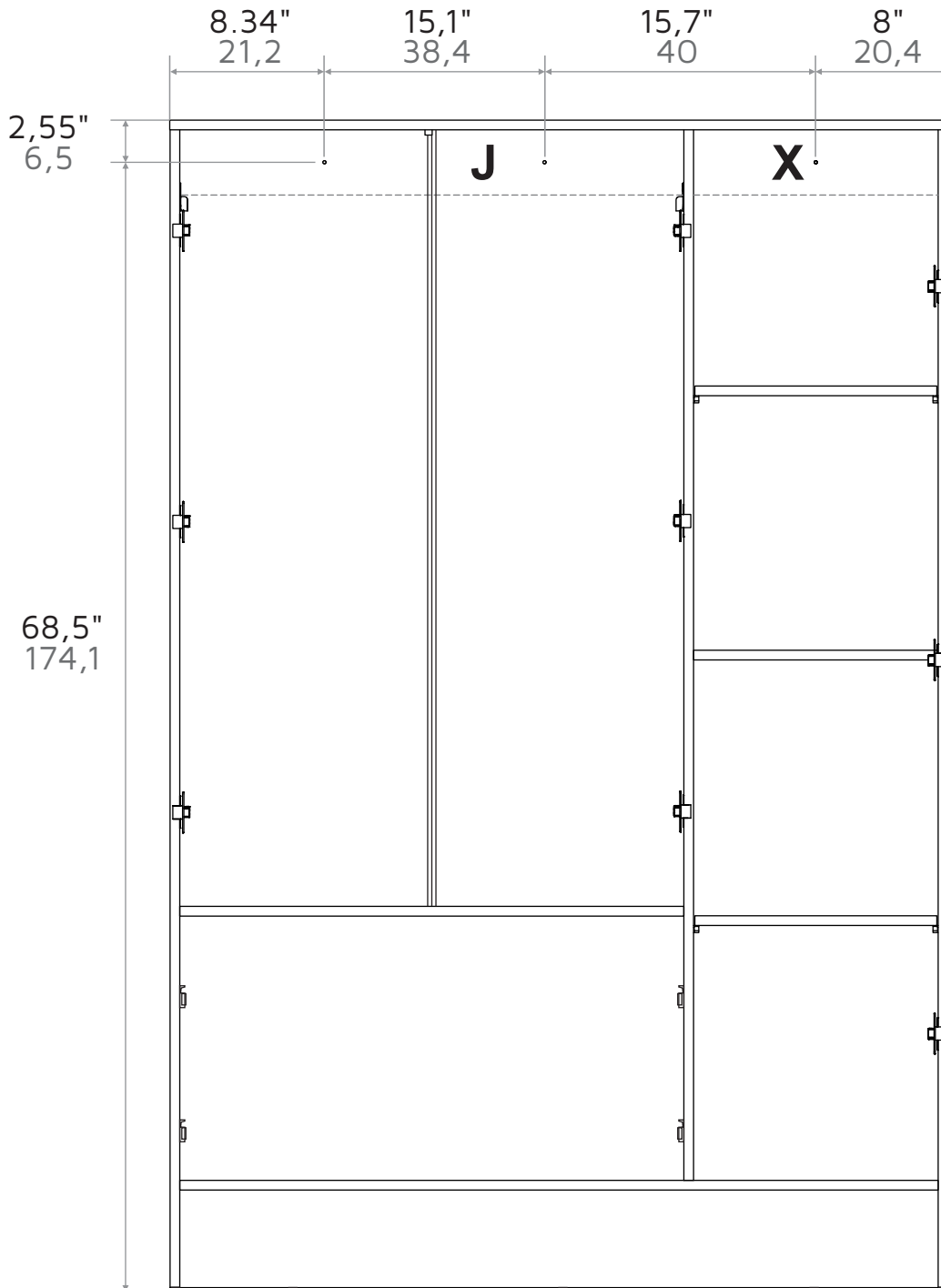


28

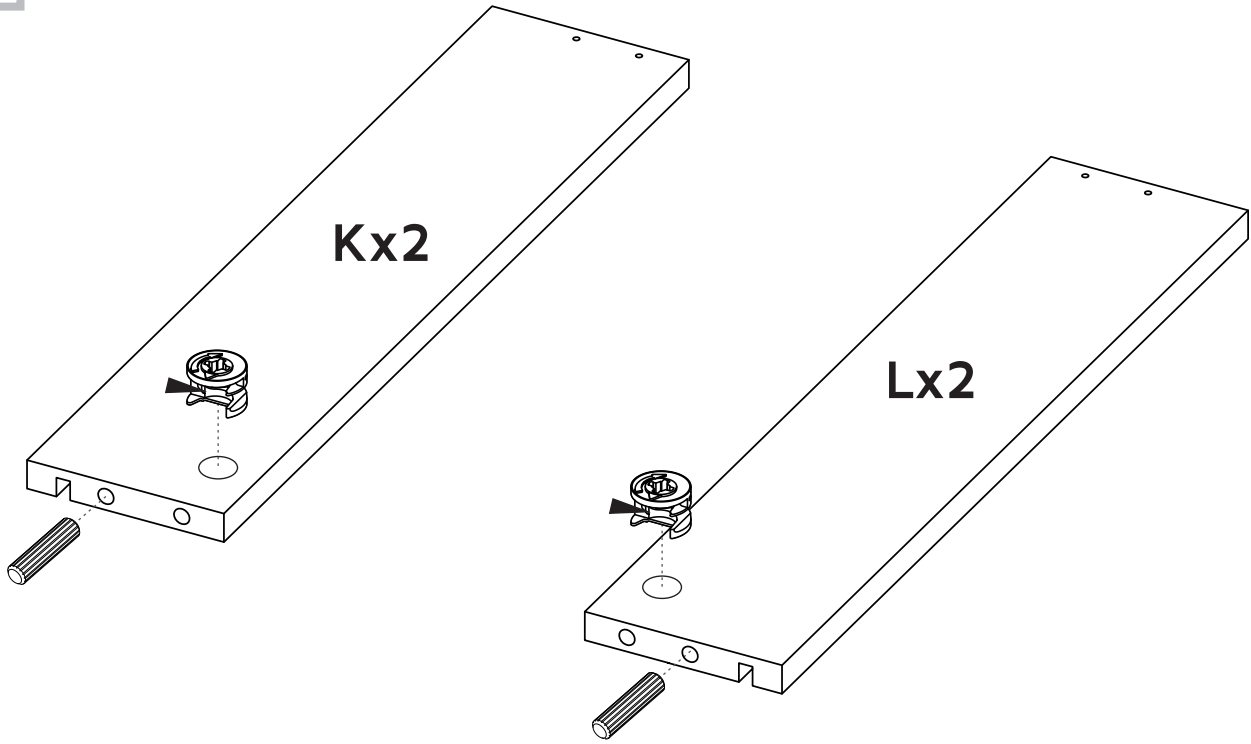
Fixing the cabinet to the wall Instalación del mueble a la pared

Be careful turning over the cabinet.
Tenga cuidado al voltear el mueble.

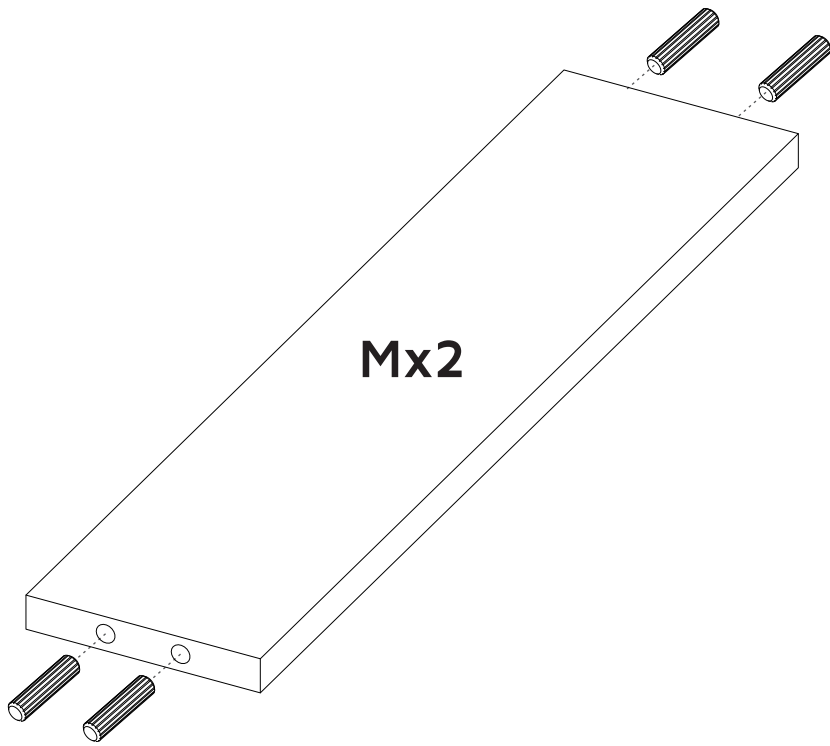
* FRONT VIEW / VISTA FRONTAL
* Inches / Centímetros



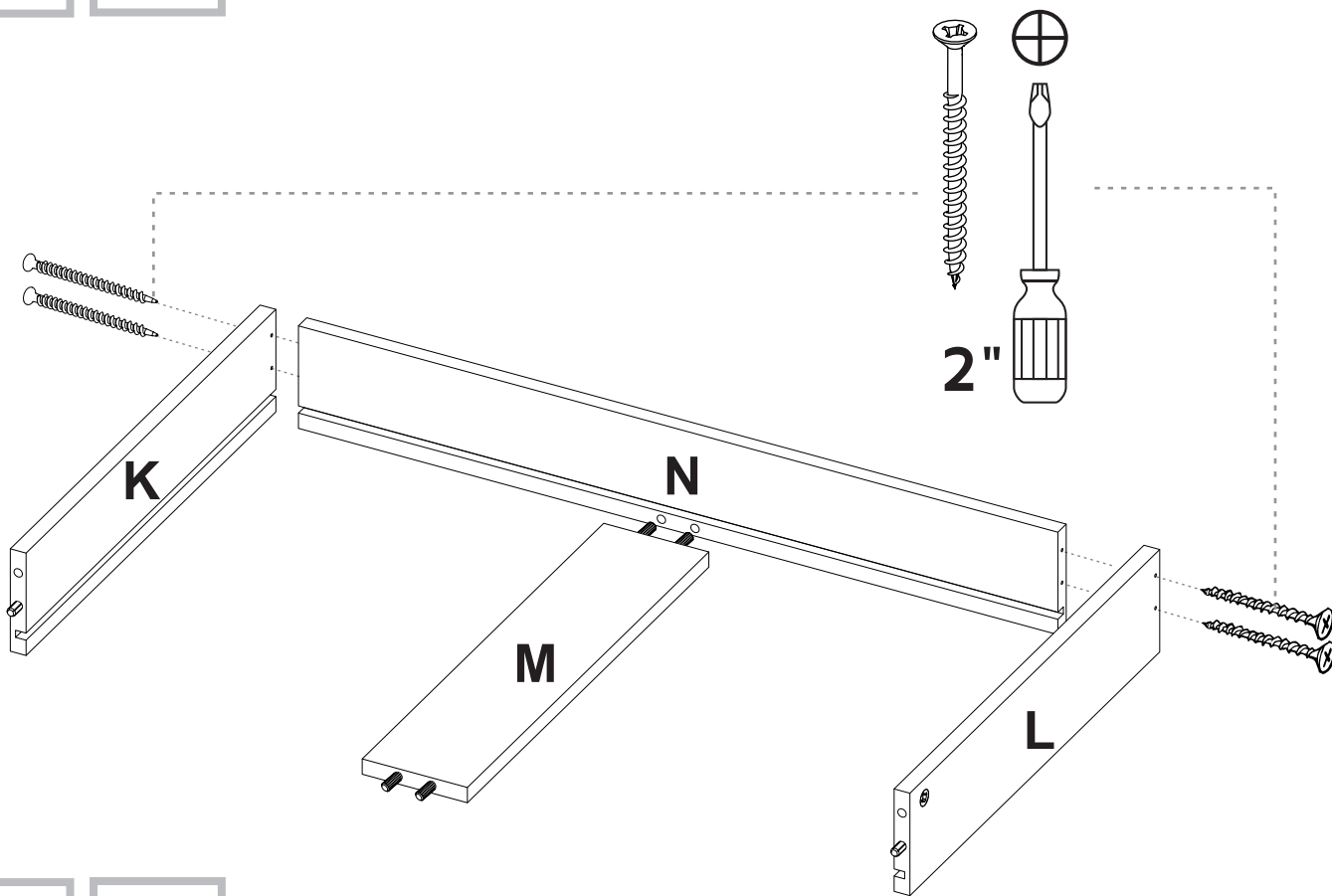
29



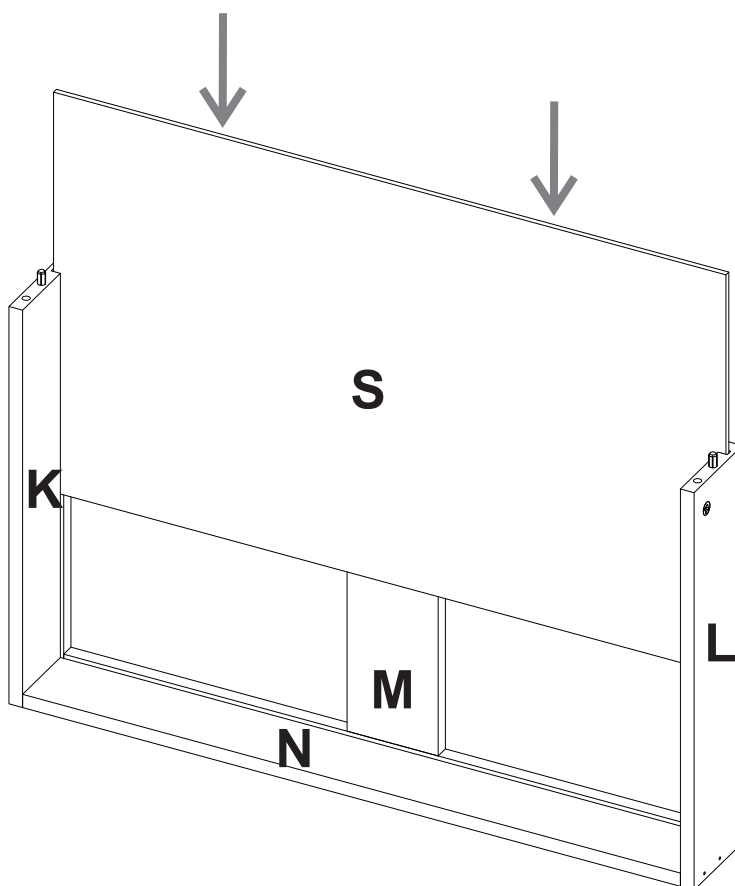
30



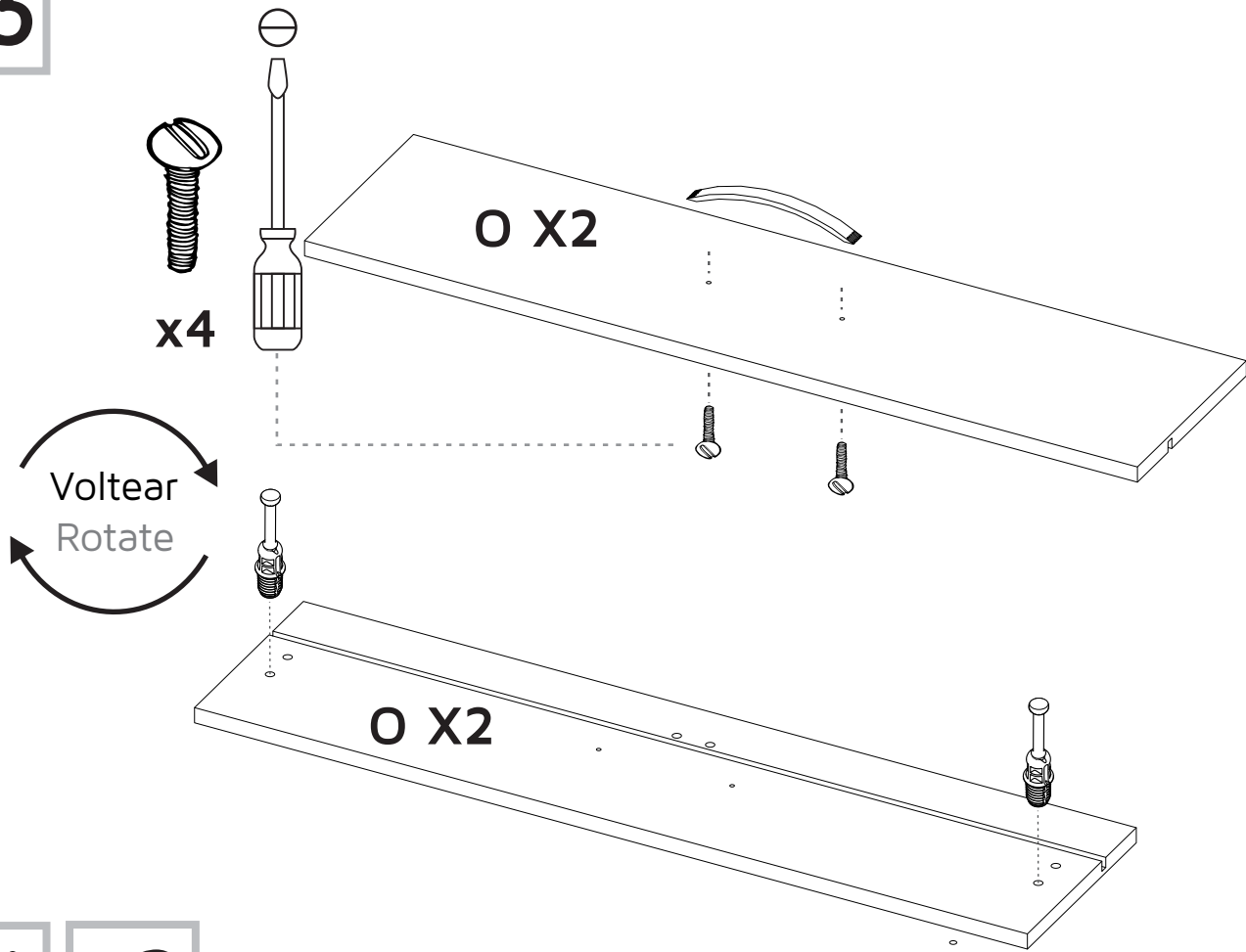
31 **x2**



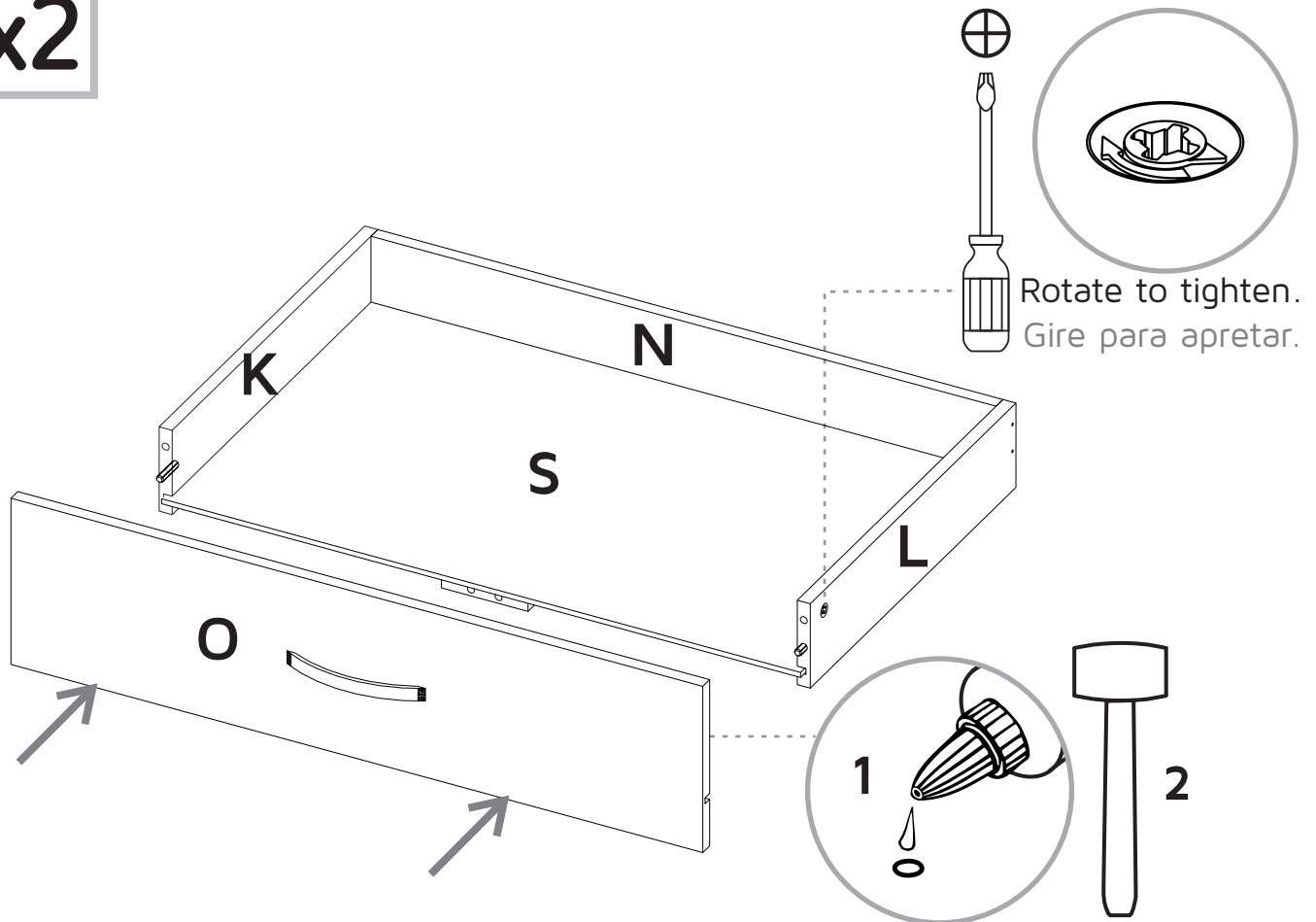
32 **x2**



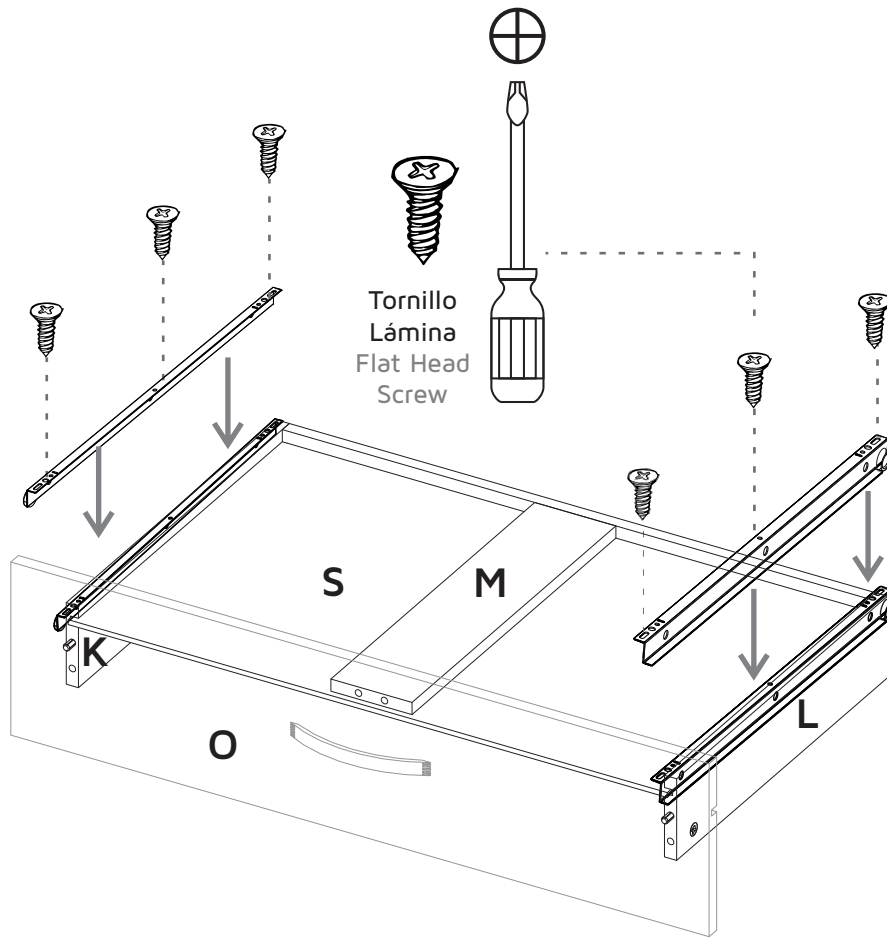
33



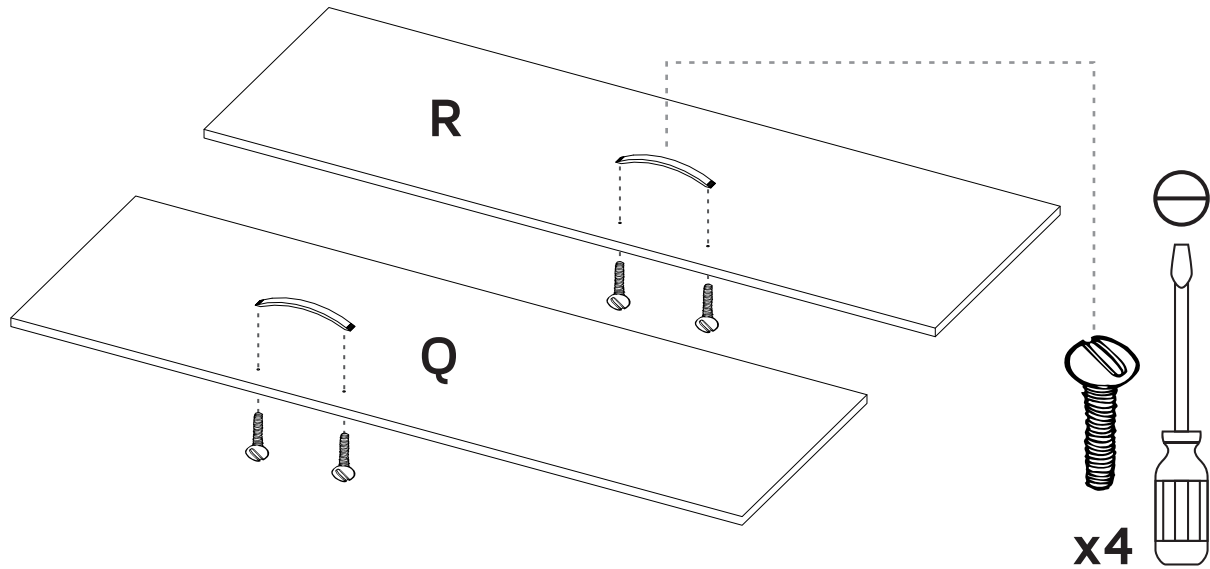
34 x2



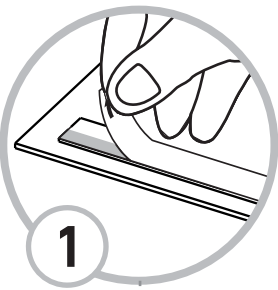
35 x2



36

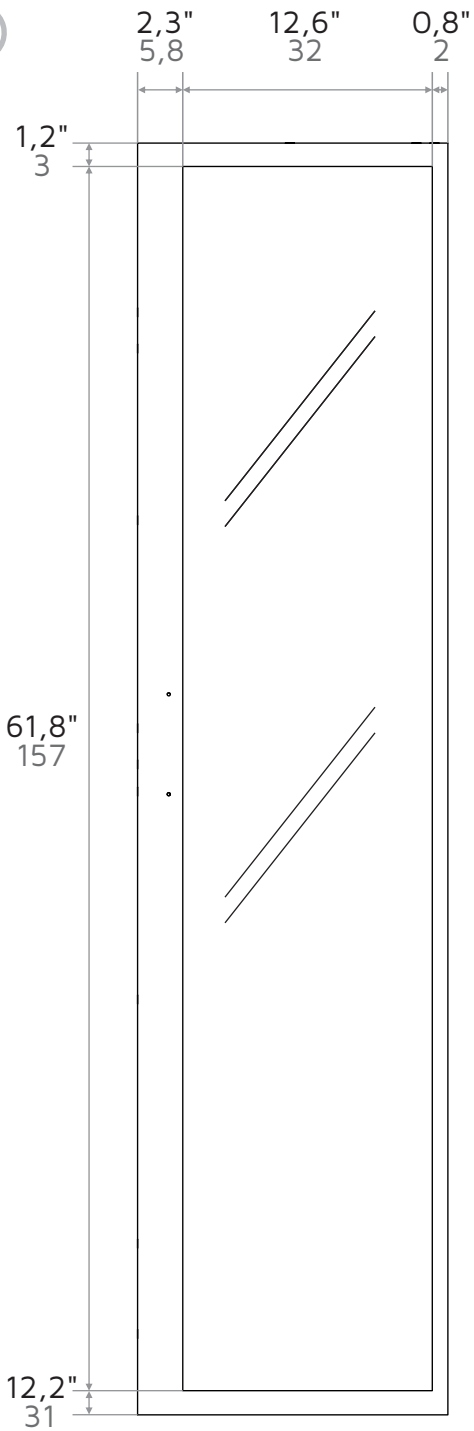
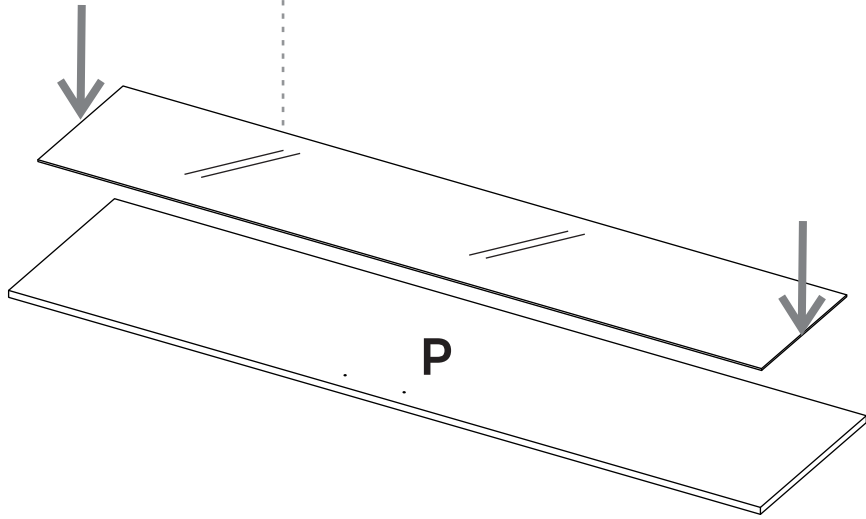


37

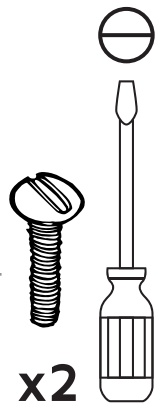
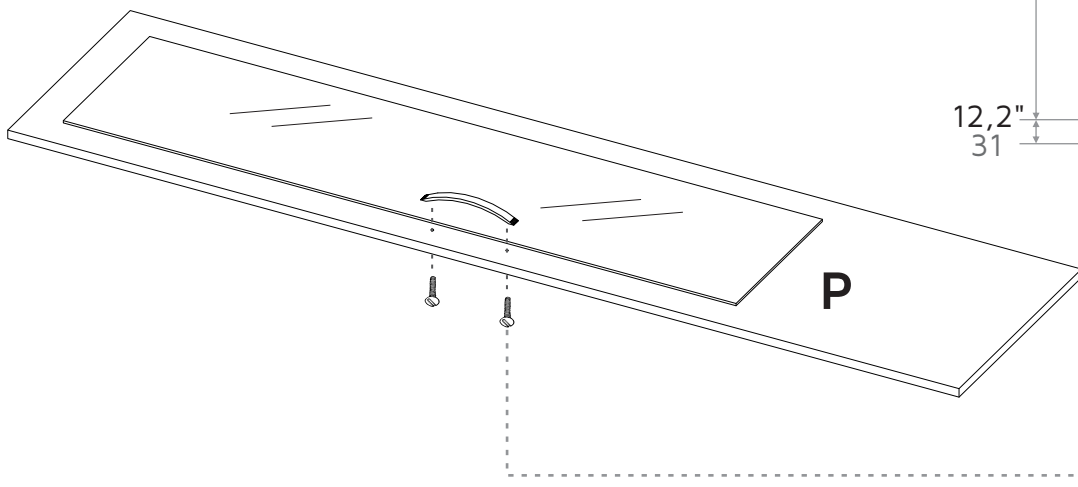


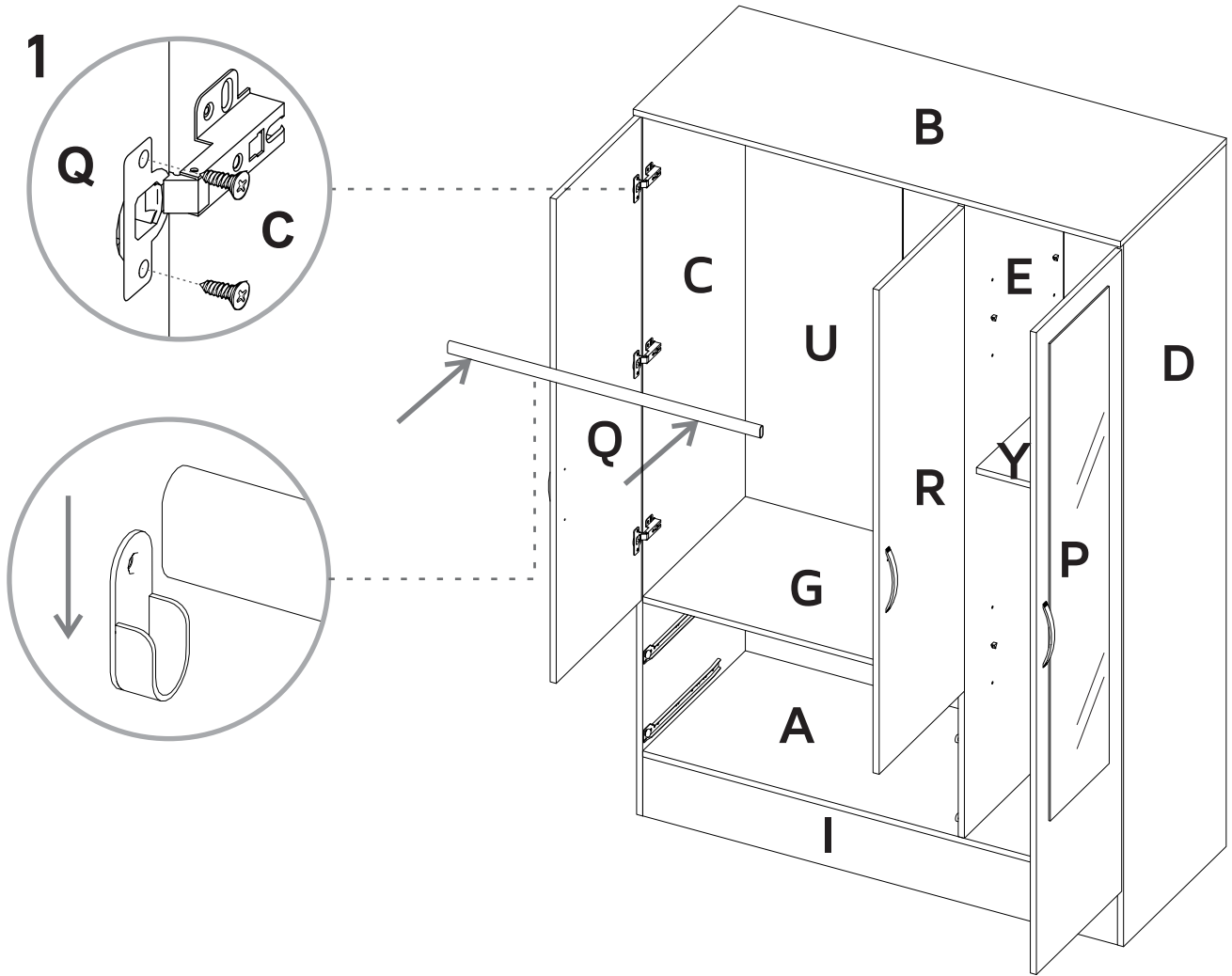
2
 Do a right cleaning of the surfaces,
 then place the mirror on the piece
 Limpiar bien las superficies y pegar
 el espejo sobre la pieza

3
 Apply pressure on the
 and tapes
 Hacer presión sobre el
 espejo y las cintas

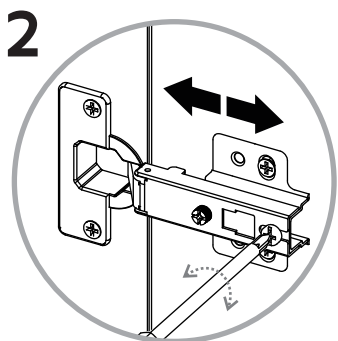


38

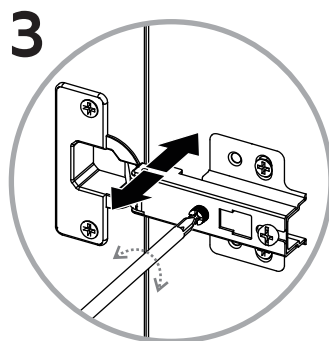




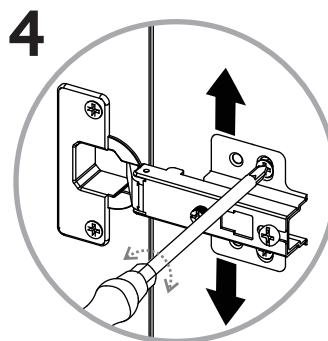
Hinge adjustment
Ajuste de las bisagras



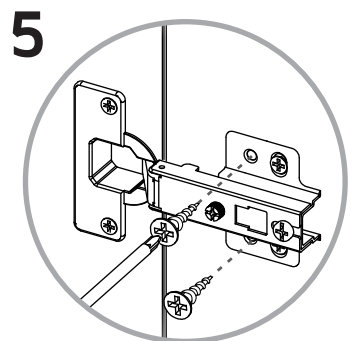
Depth adjustment
Ajuste de profundidad

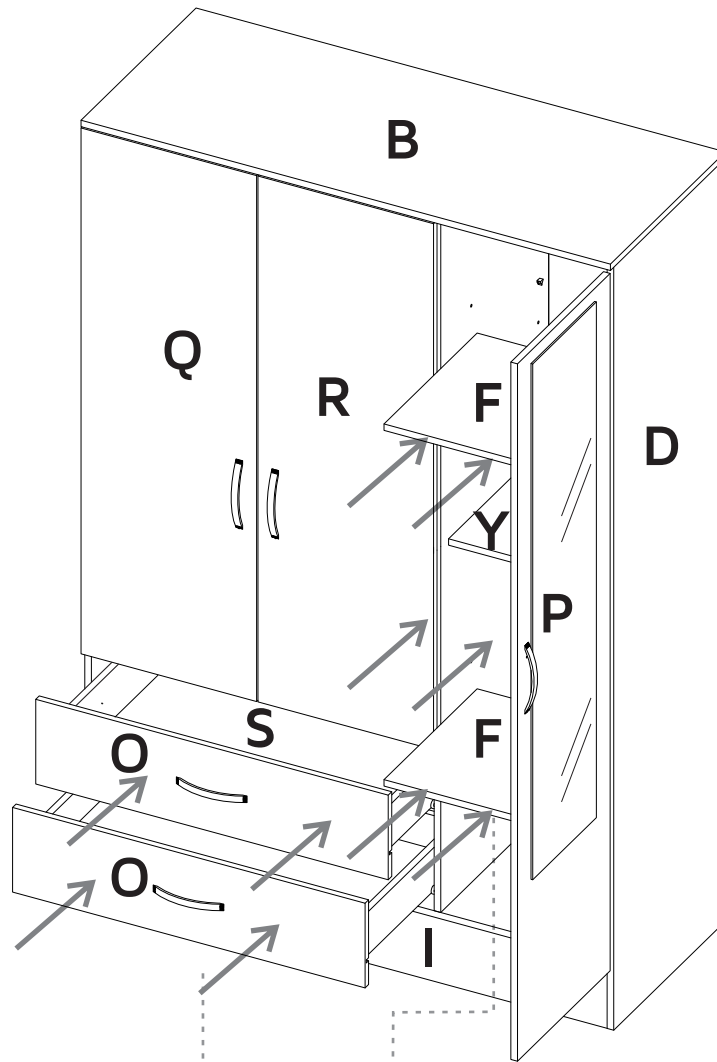


Side adjustment
Ajuste lateral



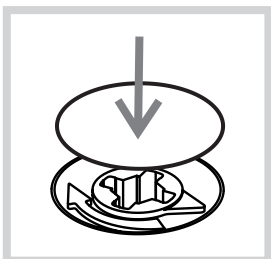
Height adjustment
Ajuste de altura





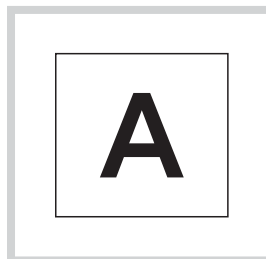
Slide the drawers
inside the cabinet.
Deslice los cajones
dentro del mueble.

Slide the shelves
inside the cabinet.
Deslice los entrepapeños
dentro del mueble.



After you finish the adjustment
of the cams, cover them with
the cover caps.

Después de ajustar todas las
cajas minifix, cúbralas con las
tapas adhesivas.



After you finish assembling the
cabinet, take off the adhesive
letters.

Al terminar de armar, desprenda
las letras adhesivas.

TUHOME Furniture has a 3 year warranty coverage in wooden parts and 1 year warranty coverage in hardware pieces since its manufacturing date, which you can see in the lot number printed on the product box and the assembly instructions leaflet.

Warranty covers materials and workmanship imperfections which impair the assembly or correct functioning of the cabinet.

This warranty is not valid if the defects or imperfections are caused by the incorrect following of the assembly instructions, warnings and recommendations, misuse, intentional damage, fire or flood, or after modifications or any kind of alteration, or repaired by someone not authorized by TUHOME Furniture, when it's been assembled 3 months after the date of purchase. These defects MUST be reported before the warranty coverage period ends. Once the product has been assembled, the company will not be responsible for defective and/or damaged parts.

This warranty is ONLY valid for the ORIGINAL PURCHASER, it doesn't apply if the product has been resold, rented, etc.

TUHOME Furniture will take no liability for incidental or consequential damages caused to or by the product (This may not apply in your state).

To make this warranty valid you must write to our customer service email describing the product defect, lot number and submitting your sales receipt or proof of purchase, or contact us at our customer service line. Replaced parts will be under the product's original warranty coverage period. Damaged parts will become property of the company.

There are no other warranties applicable to this product.

**IF ANY PARTS ARE BROKEN OR
MISSING PLEASE CONTACT US**
AT: 1-888-391-01-66 /
customerservicetuhome@rta.com.co
OUR CUSTOMER SERVICE TEAM WILL PROVIDE
YOU HELP TO RESOLVE ANY ISSUES IMMEDIATELY