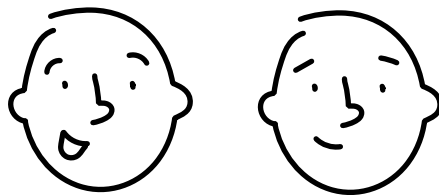
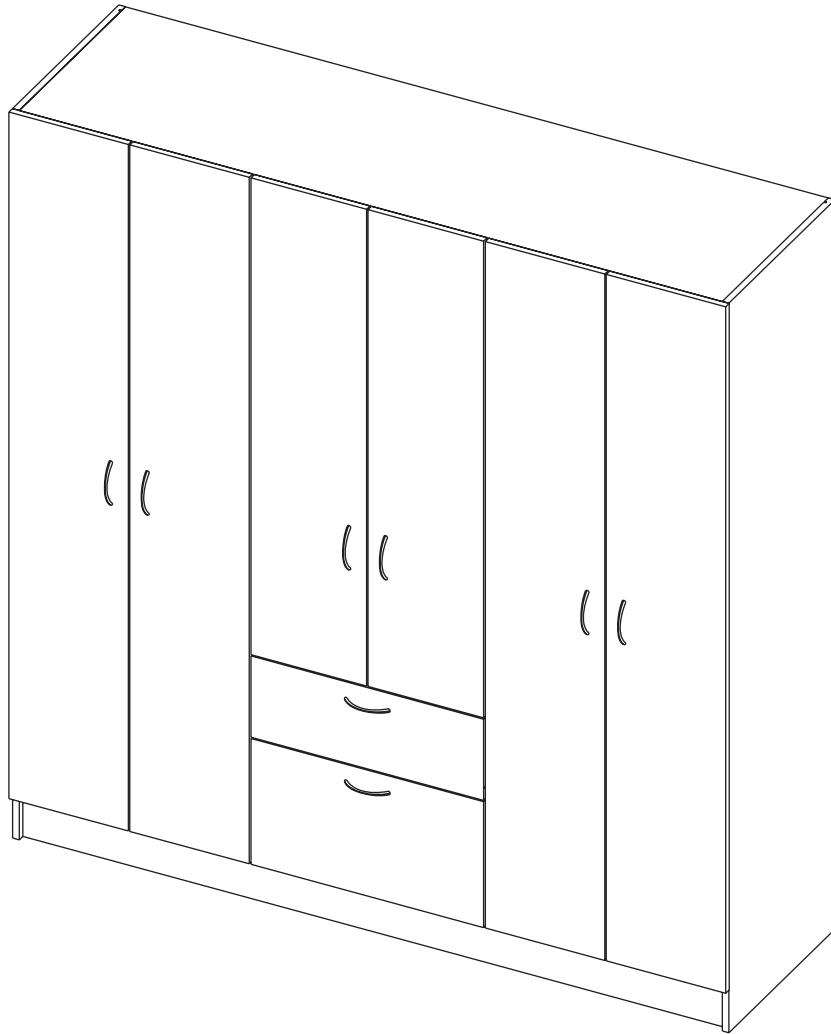


ASSEMBLY INSTRUCTIONS

MITU ARMOIRE



It's much better if you get some company for this!

TUHOME

FURNITURE

If any parts are broken or missing please contact us at:
1-888-391-01-66 / customerservicetuhome@rta.com.co
Our customer service team will provide you help
to resolve any issues immediatly

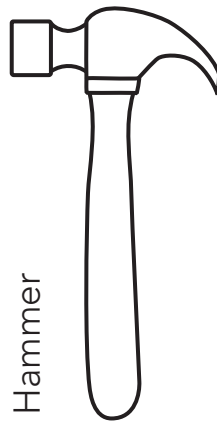
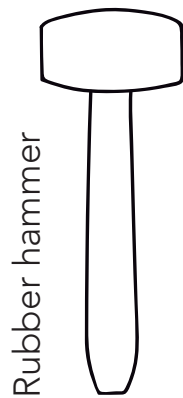
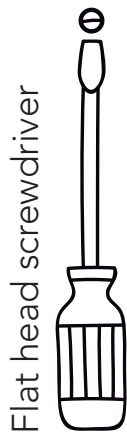
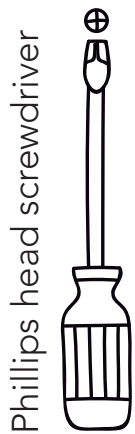
REF./SKU. CLW 5954

LOT N°

Index

What will you need?	2
Where should you start?	3
What's in the hardware bag?	4-5
How do the dowels and Minifix system work? (We also explain what they are)	6
Let's start assembling!	7
How much weight does your cabinet resist?	34
Our last recommendations for taking care of your cabinet	35

What will you need?

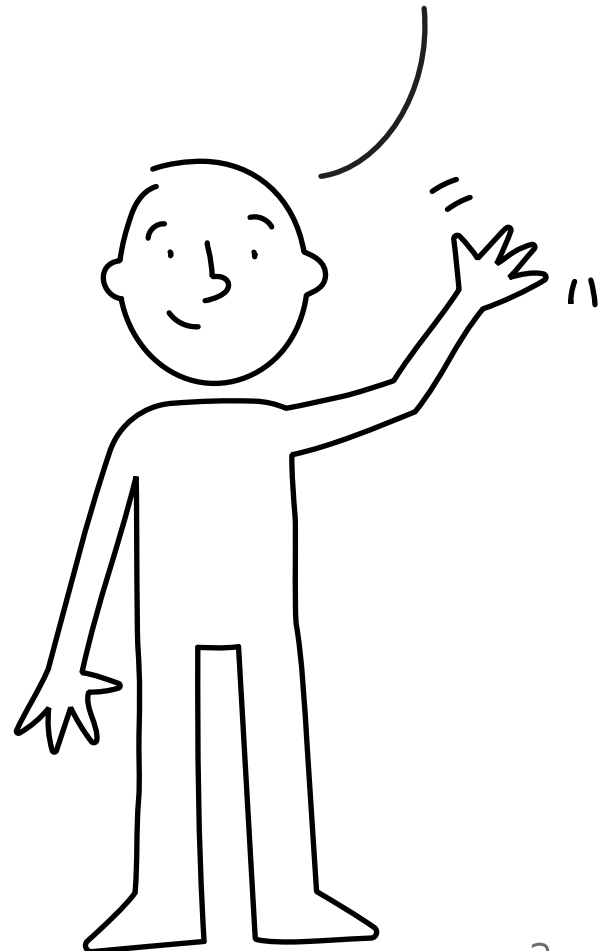


A flat, smooth surface. You can use the cardboard of the box or a rug.



An electric screwdriver isn't necessary, but it can make the work much easier :)

Hi! my name is Armando, and I'll be with you while you assemble this cabinet.



Where should you start?

This is so IMPORTANT!

Over the next few pages is the panel and hardware content for this cabinet.

Please make sure that the quantity of each one is correct, and that everything is in good shape.


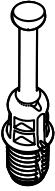


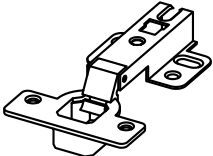
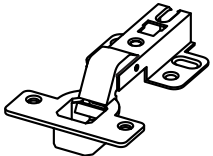

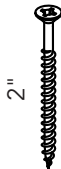

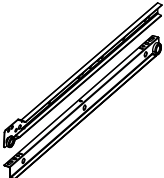


(When the cabinet is already assembled there's no warranty for this)

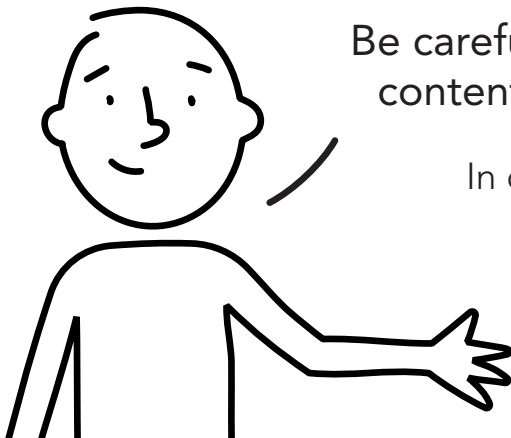


Panel quantity

A - x1	B - x1	C - x1	D - x1
E - x1	F - x1	G - x2	H - x2
I - x1	J - x1	K - x1	L - x1
M - x1	N - x1	O - x1	P - x1
Q - x1	R - x2	S - x1	T - x1
U - x1	V - x1	W - x1	X - x2
Y - x4	Z - x2	AA - x1	AB - x2
AC - x1	AD - x1	AE - x1	

What's in the hardware bag?

			
Wood dowel x74	Spreading bolt x62	Minifix cam x62	Cover caps x62
			
Hinge + screws x8	Hinge + screws x10	Glue x2	Drywall screw x4
			
Nail x4	Slides + screws x1	Nail-on glide x7	Closet rod support x4

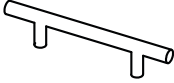
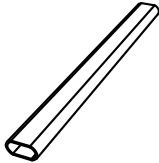
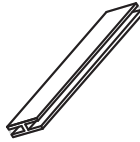
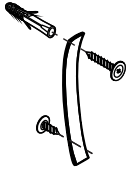


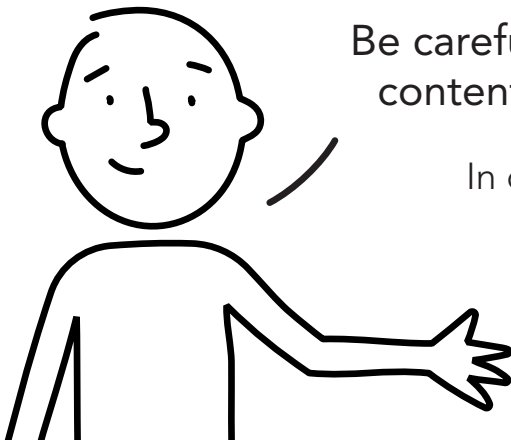
Be careful!, try not to lose anything from this bag, its content it's necessary for assembling you cabinet.

In case something is missing, please call to our customer service line:

1-888-391-01-66

What's in the hardware bag?

 <p>Handle x8</p>	 <p>Closet rod x2</p>	 <p>H profile x3</p>	 <p>Wall Fixing Kit + Screws x2</p>
--	--	--	--



Be careful!, try not to lose anything from this bag, its content it's necessary for assembling you cabinet.

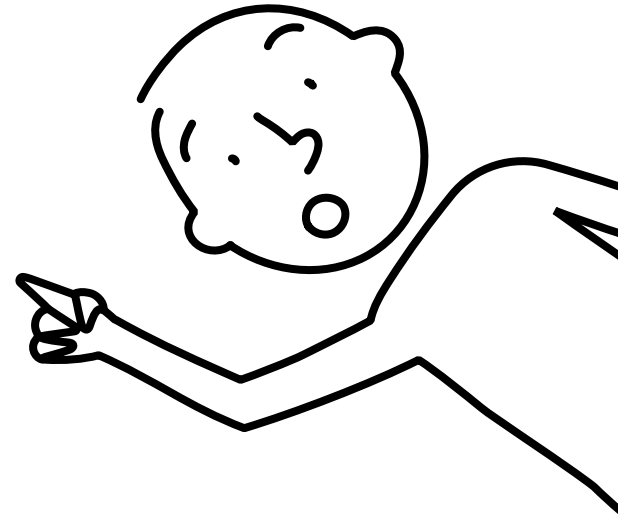
In case something is missing, please call to our customer service line:

1-888-391-01-66

How do the dowels and Minifix system work?

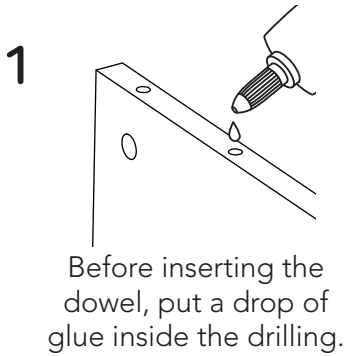
this is so important too!

Everytime you're using one of these connectors during the assembly, you should follow these same steps.

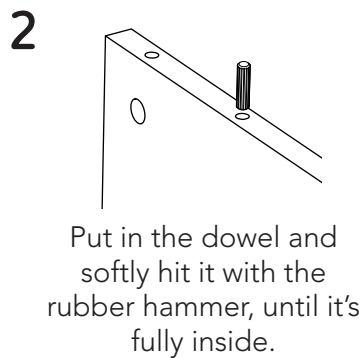


Wood dowels

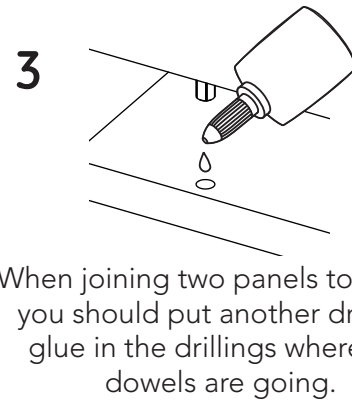
They are little wooden cylinders.



Before inserting the dowel, put a drop of glue inside the drilling.



Put in the dowel and softly hit it with the rubber hammer, until it's fully inside.

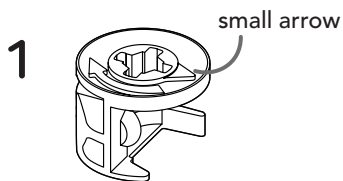


When joining two panels together, you should put another drop of glue in the drillings where the dowels are going.

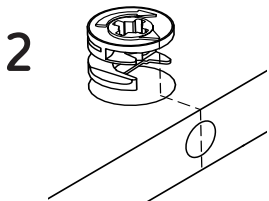
Don't forget to gently hit the panels to adjust the joint.

Minifix system

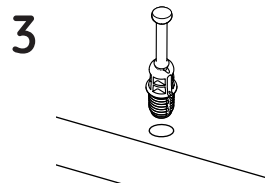
It's a joint compound of two parts: a spreading bolt and a Minifix cam.



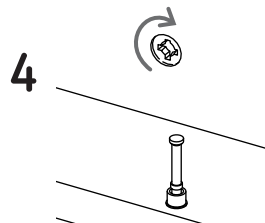
This is a Minifix cam. It has a little arrow on its upper surface.



You should insert these cams with the little arrow pointing towards the drilling on the panel's edge (shown on the left).



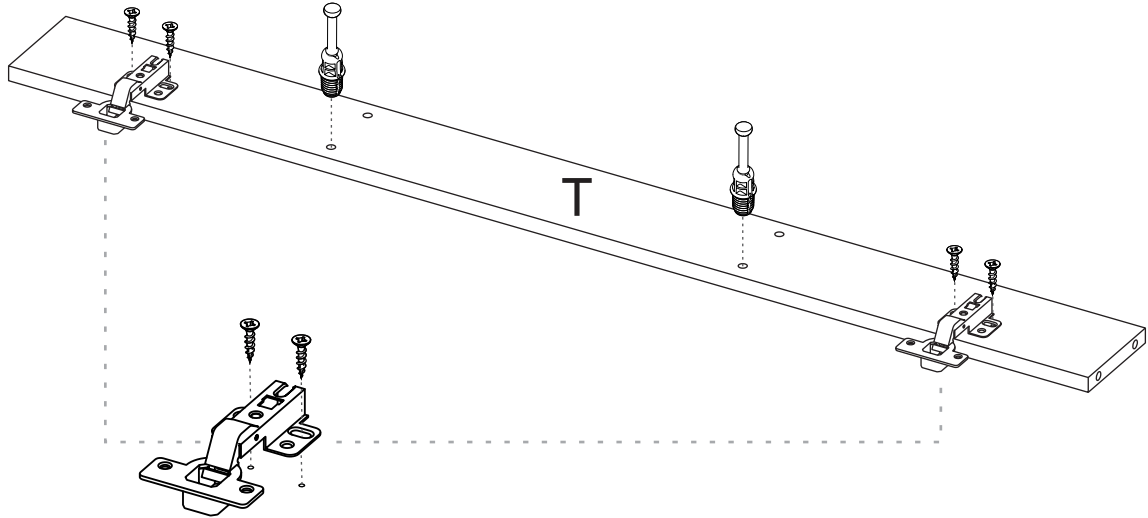
This is a spreading bolt. You should put it with the black plastic part facing down.



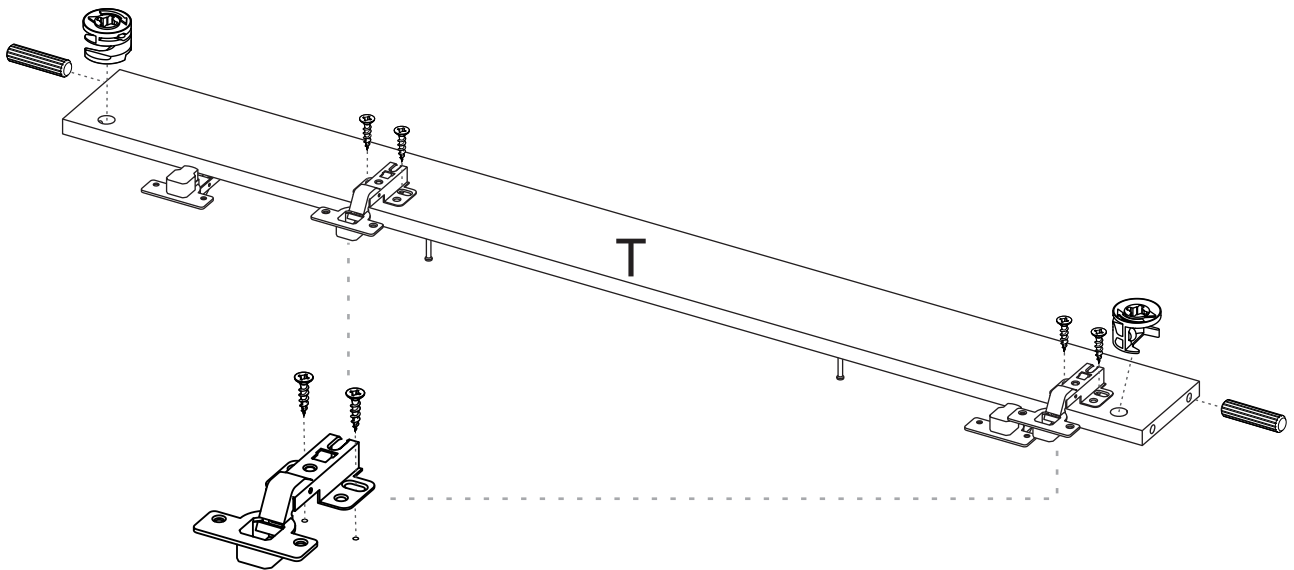
After joining two panels together you should turn the cams 180° with a phillips head screwdriver to adjust and secure the joint.

1 Let's start assembling!

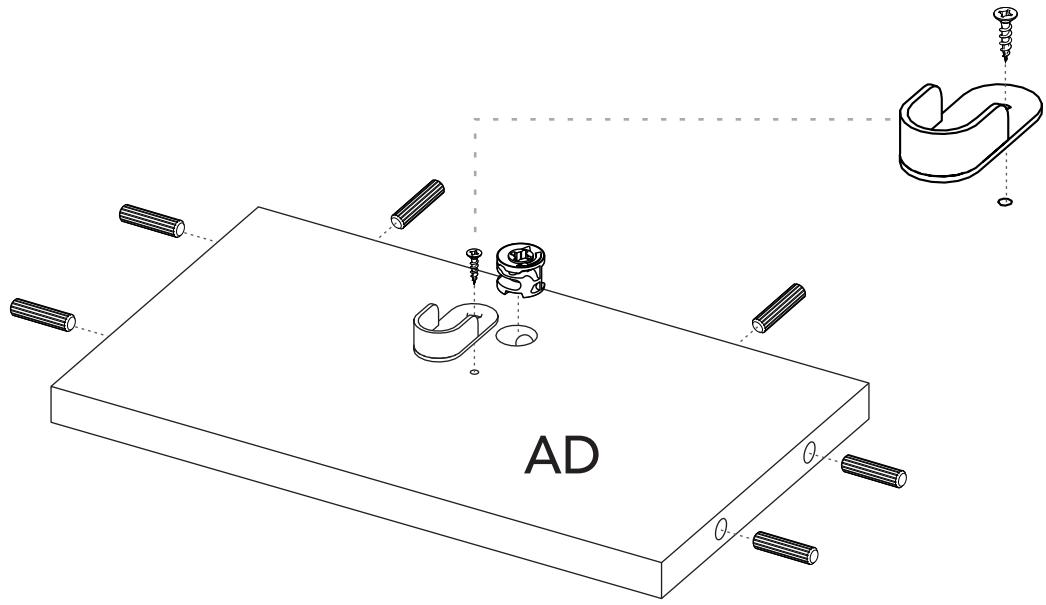
You can see the last page of this manual to have a full look of the panels of this cabinet.



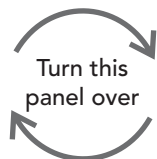
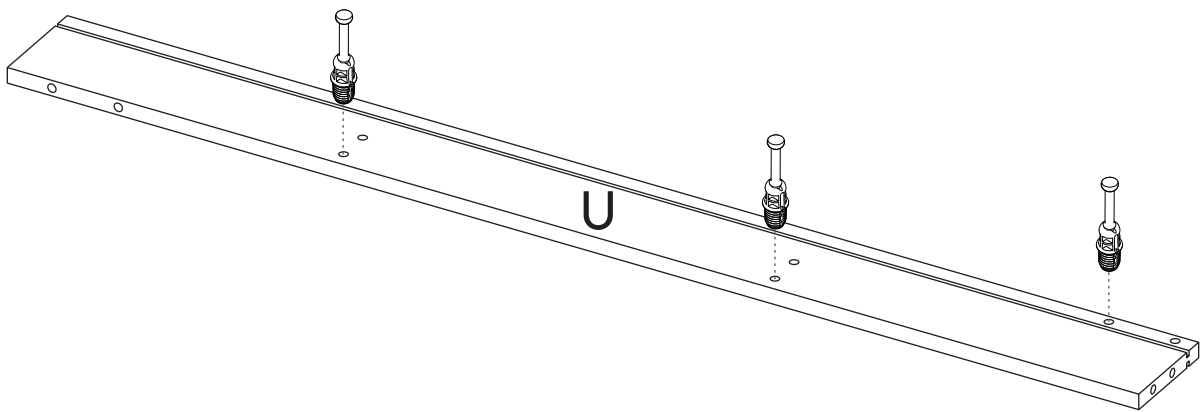
Turn this panel over

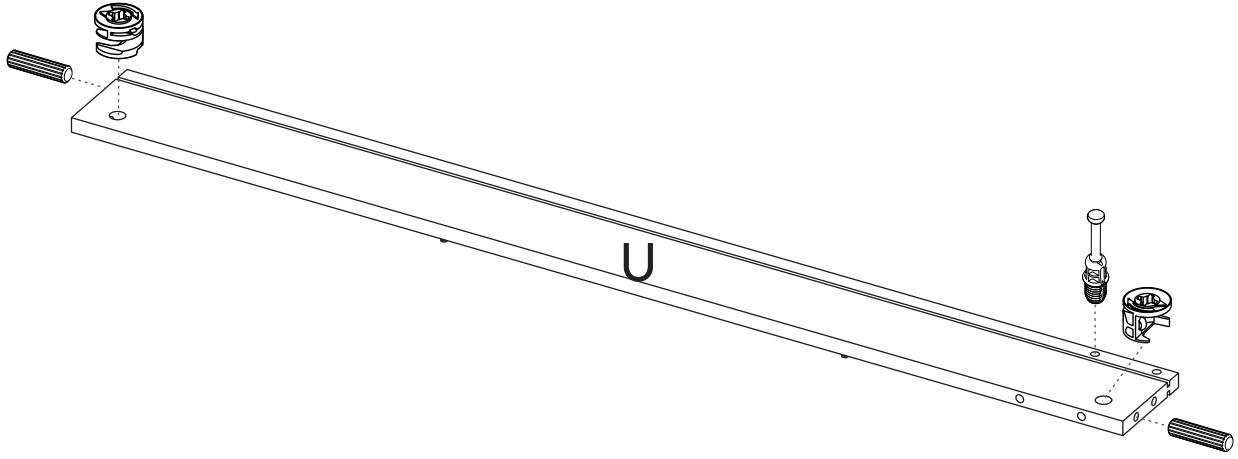


2

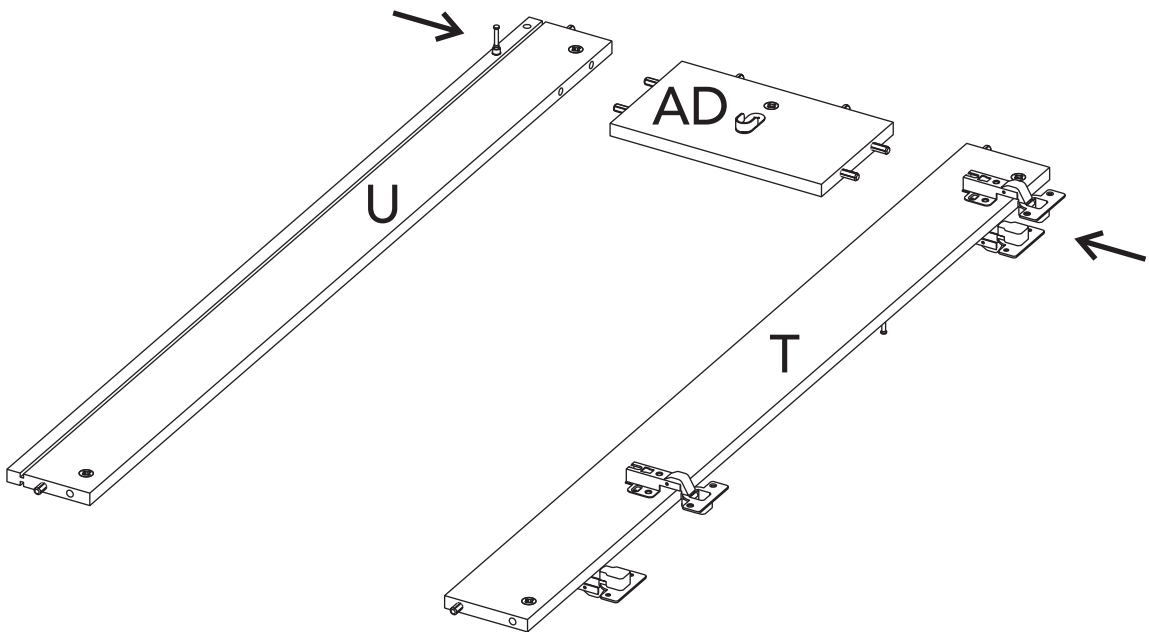


3

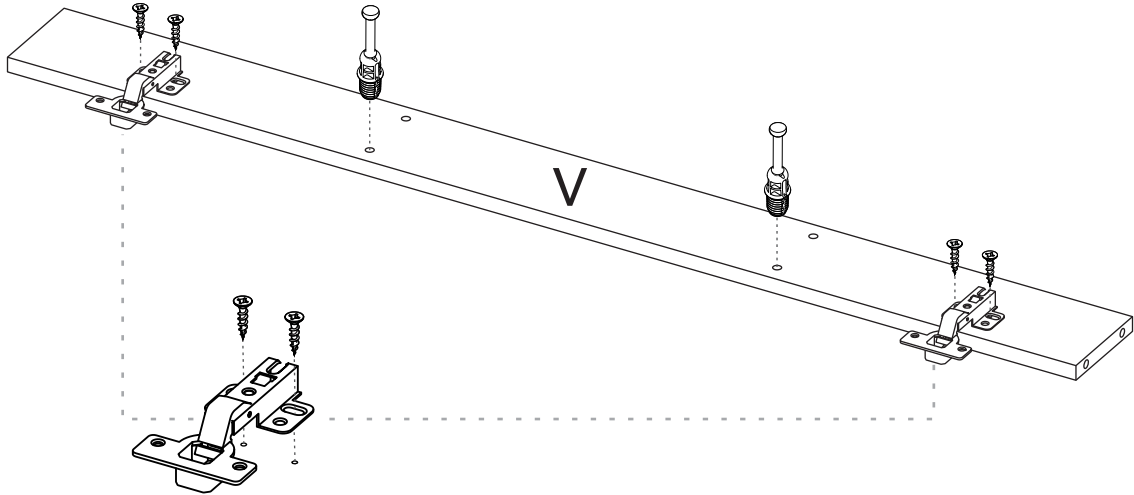




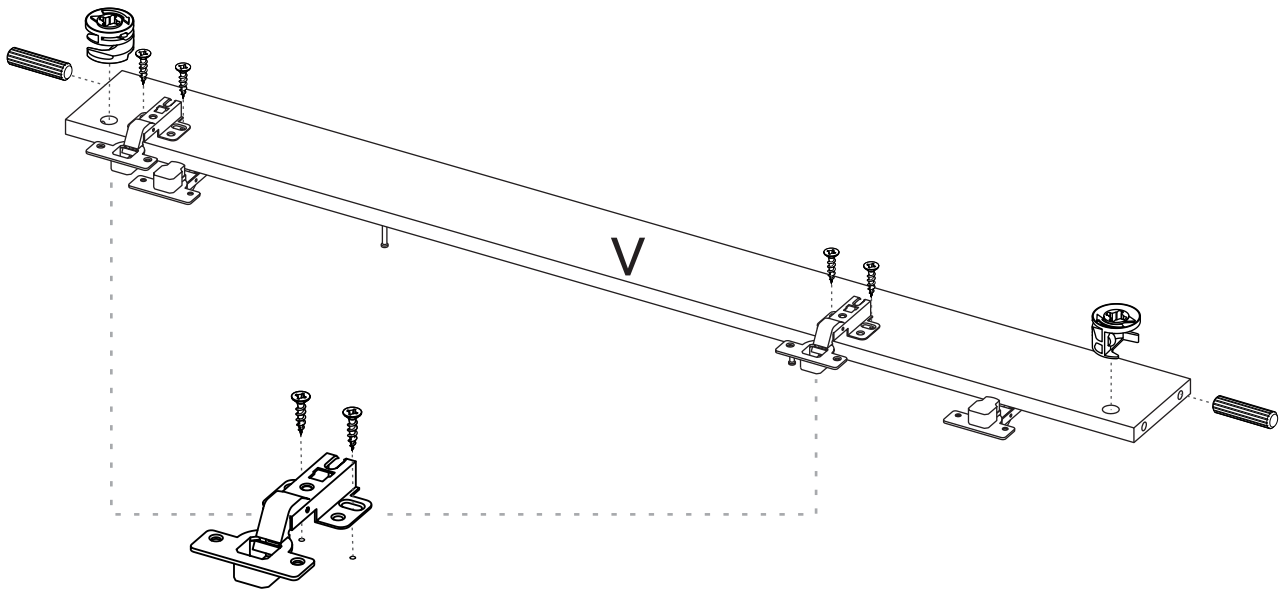
4



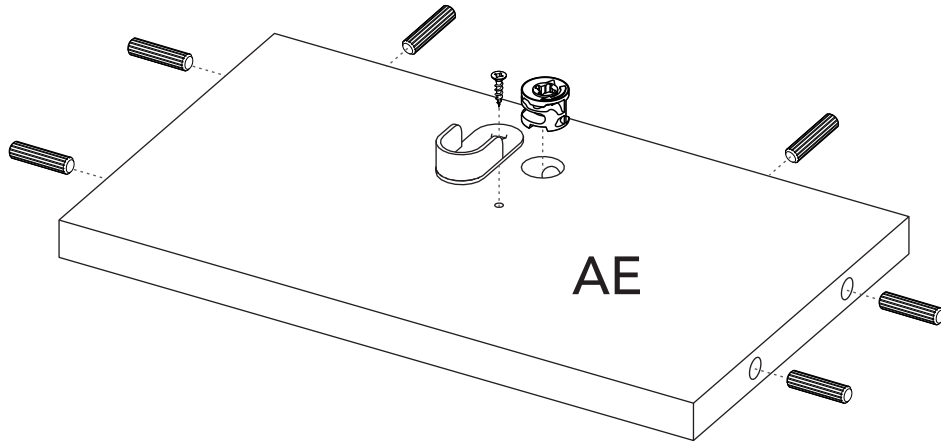
5



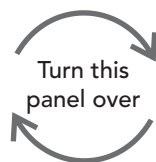
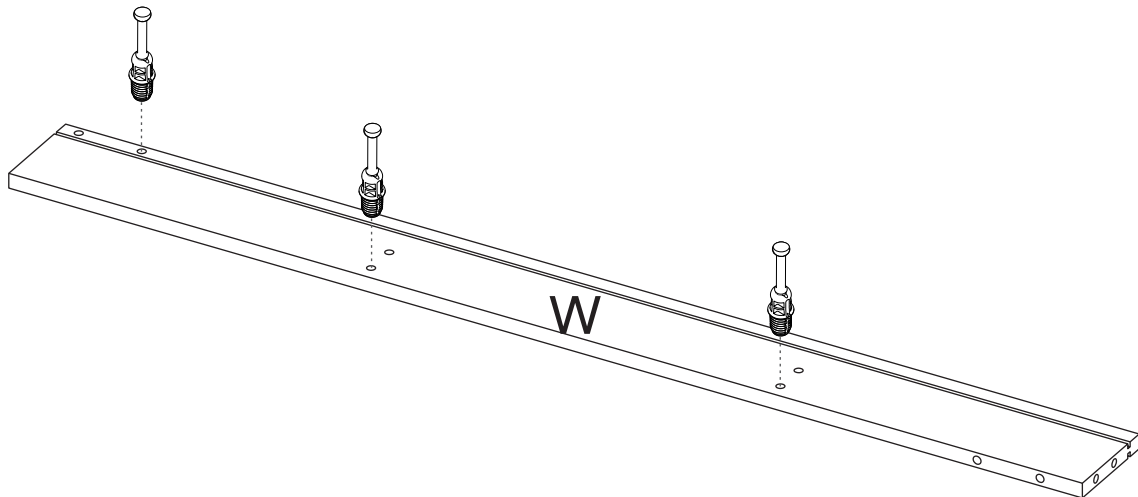
Turn this
panel over

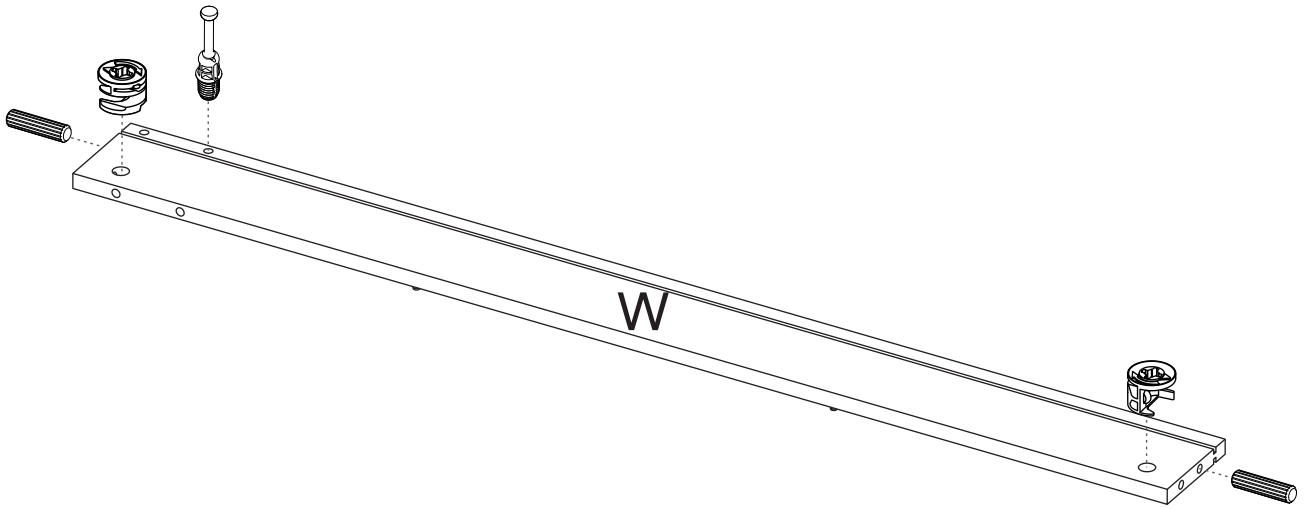


6

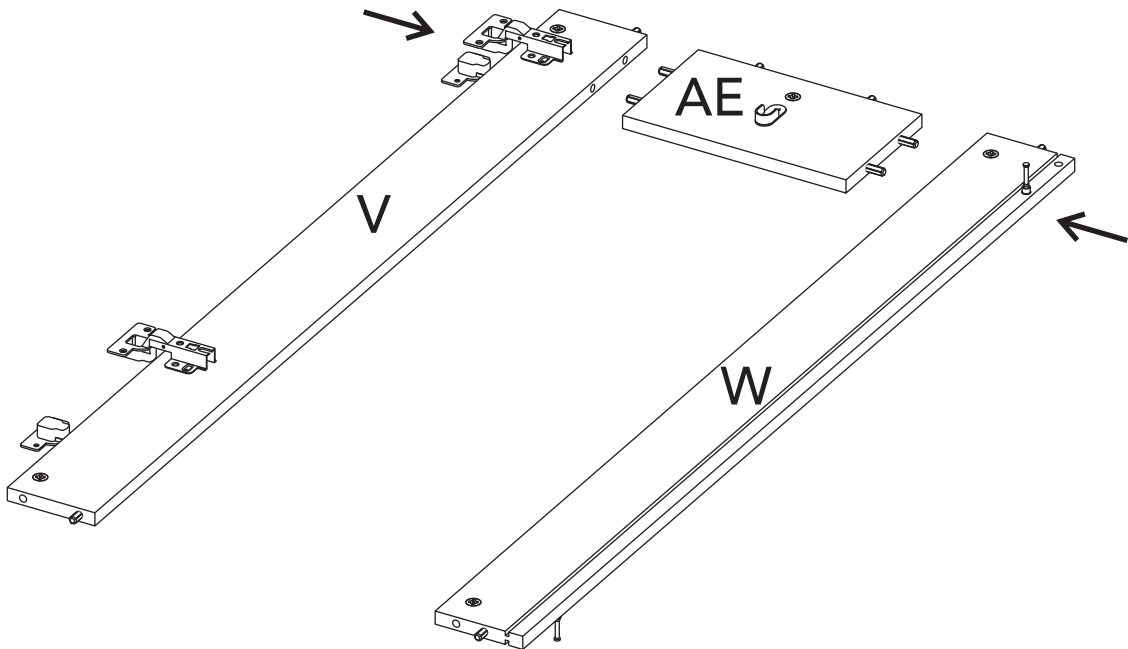


7

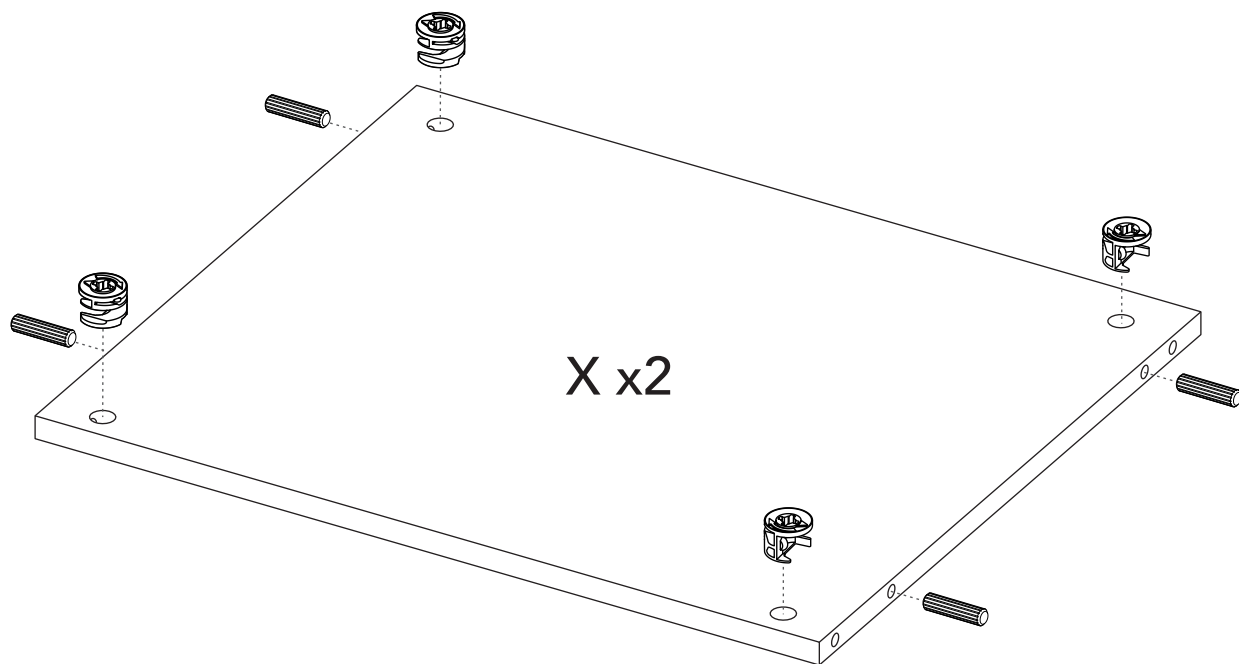




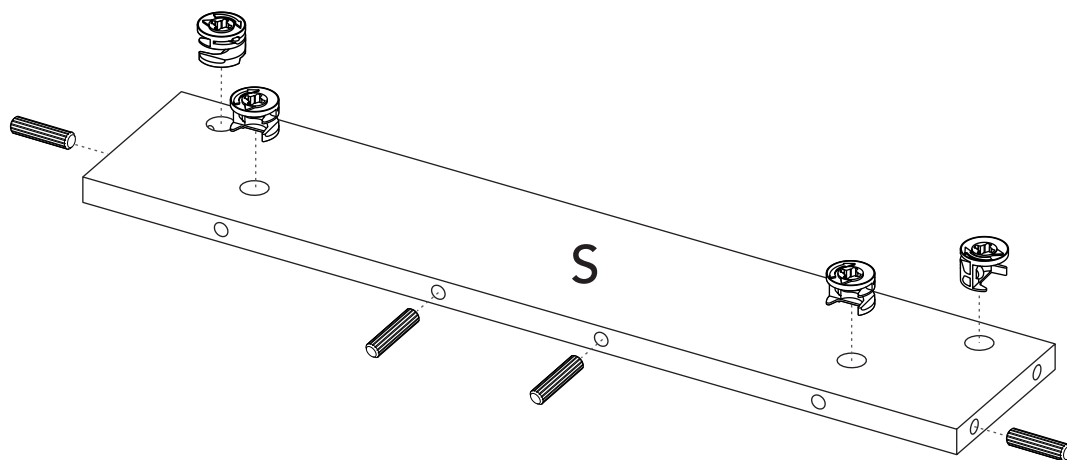
8



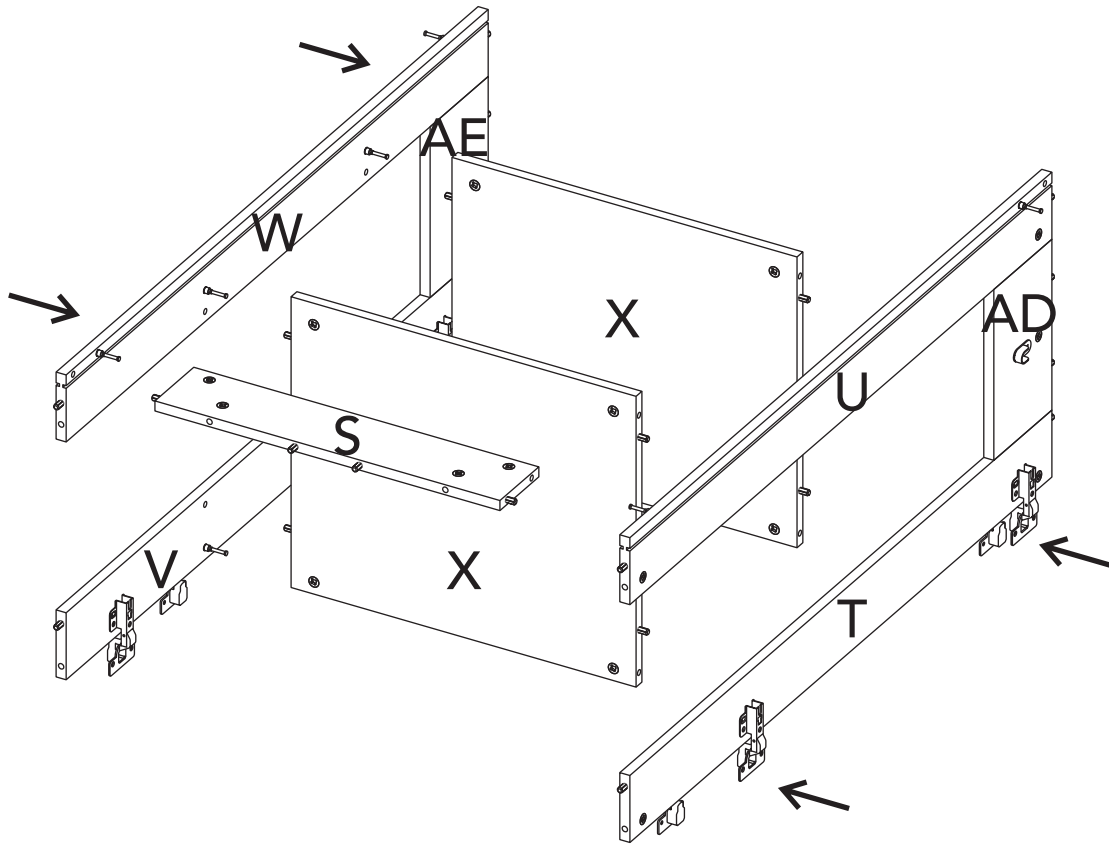
9



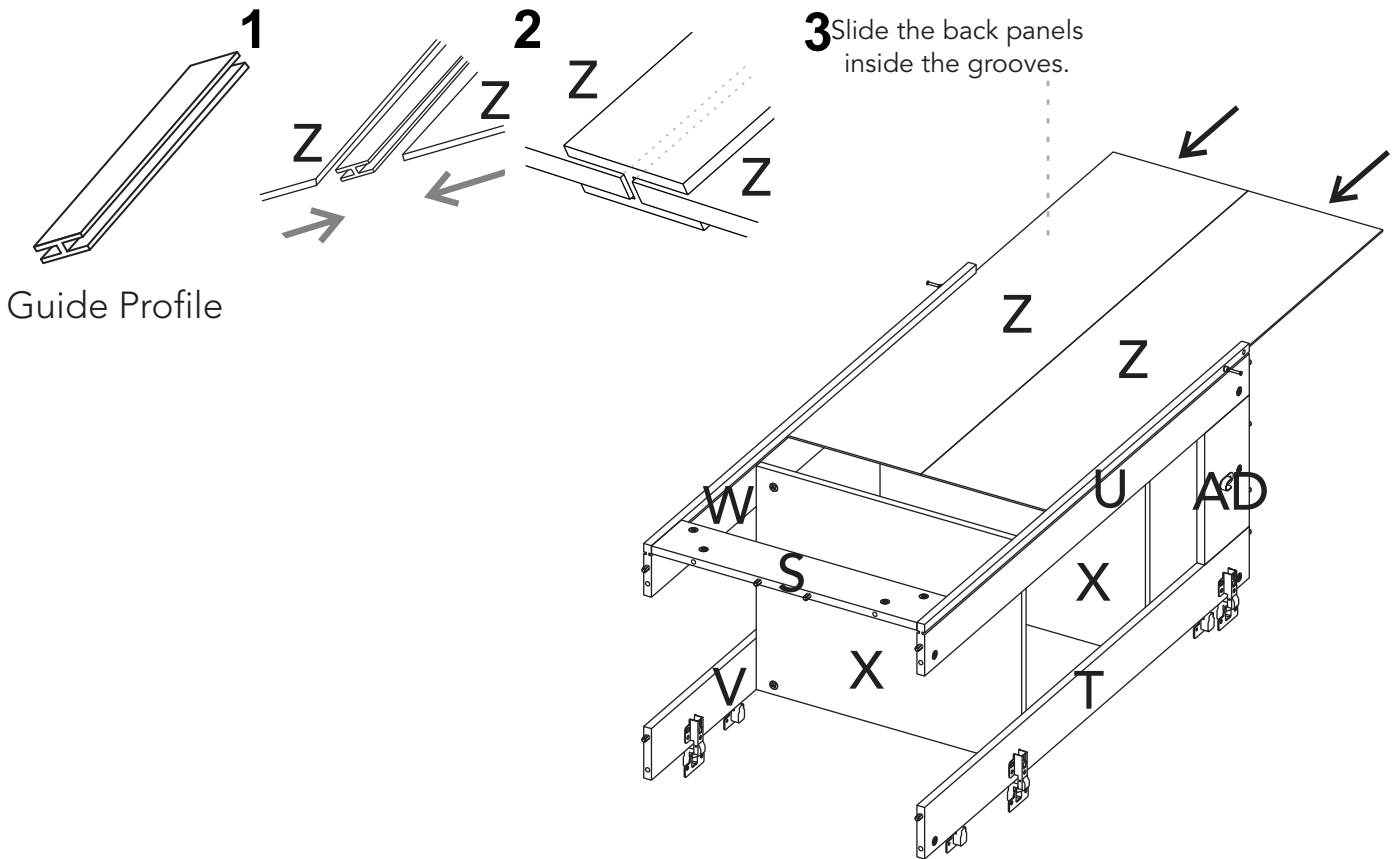
10



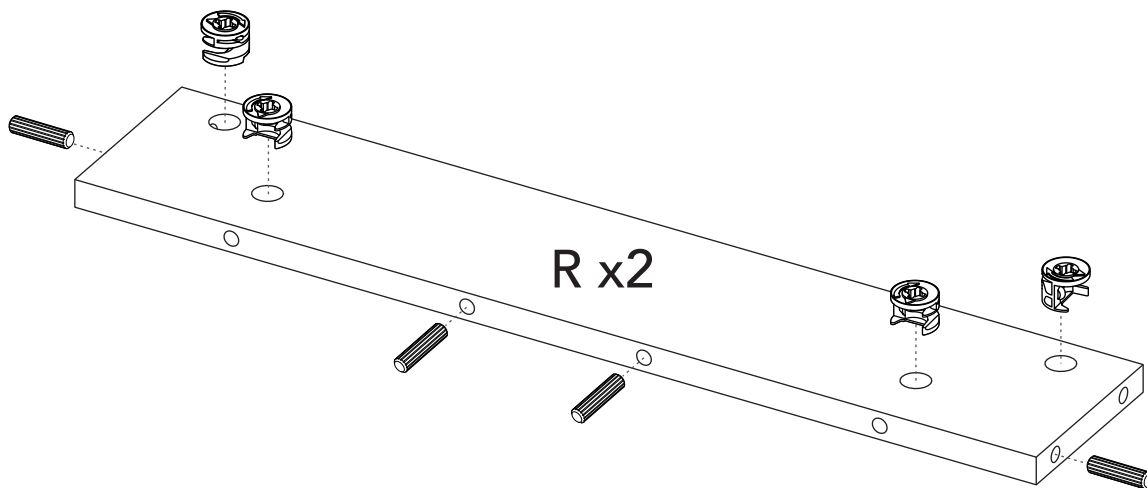
11



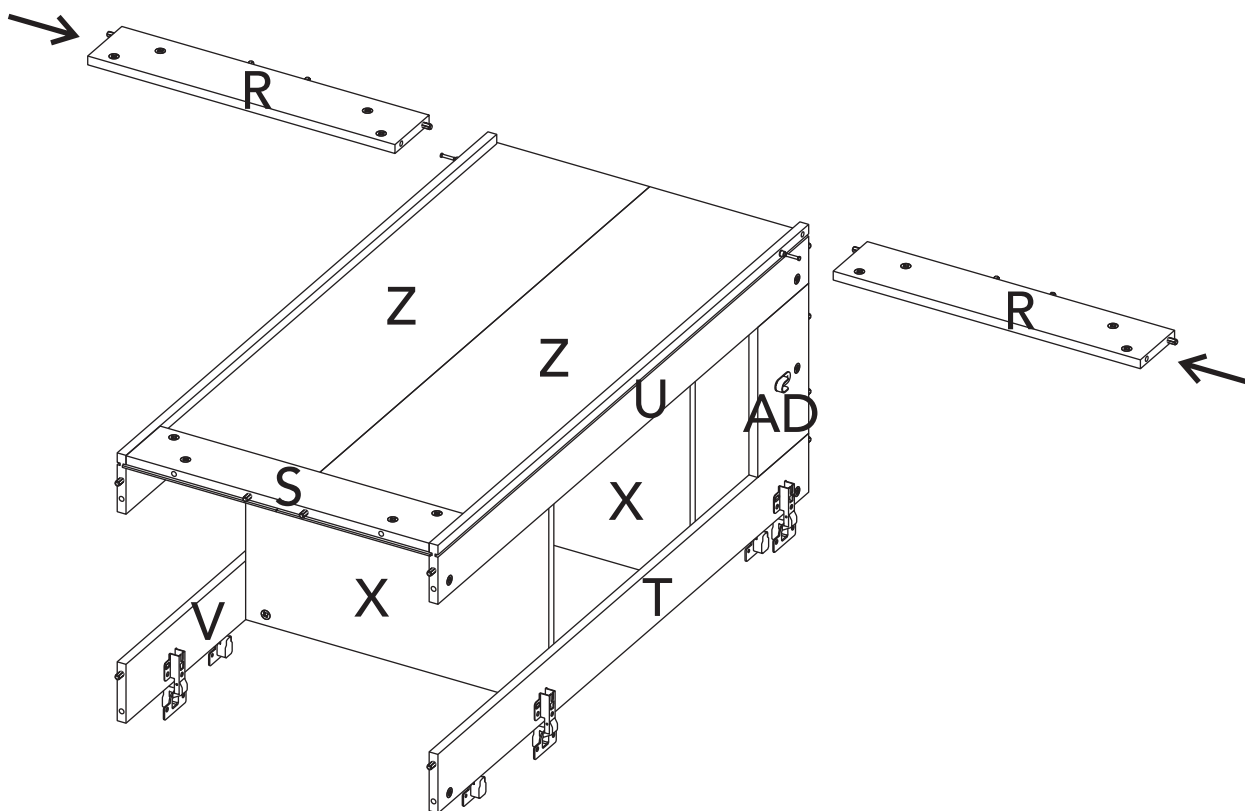
12



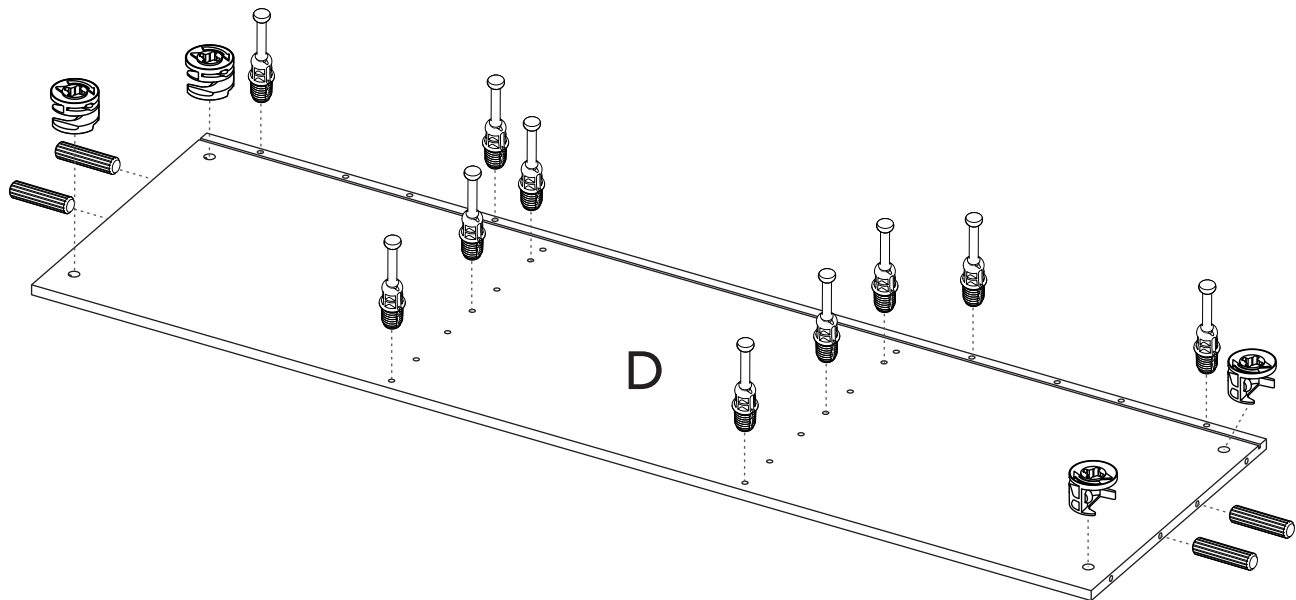
13



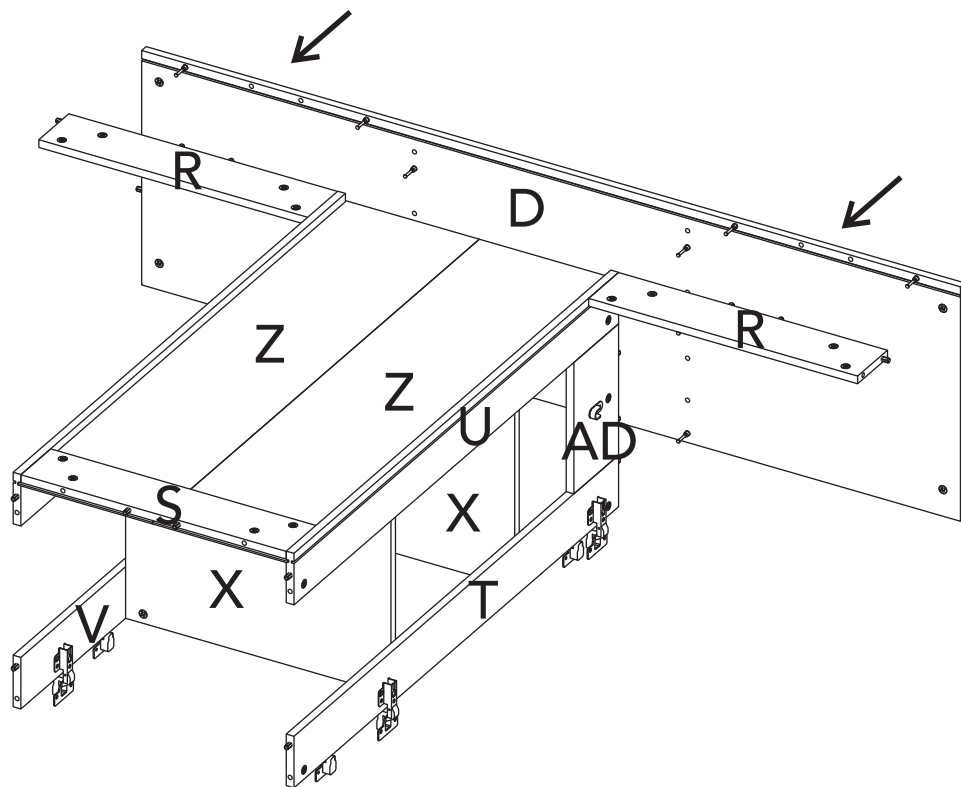
14

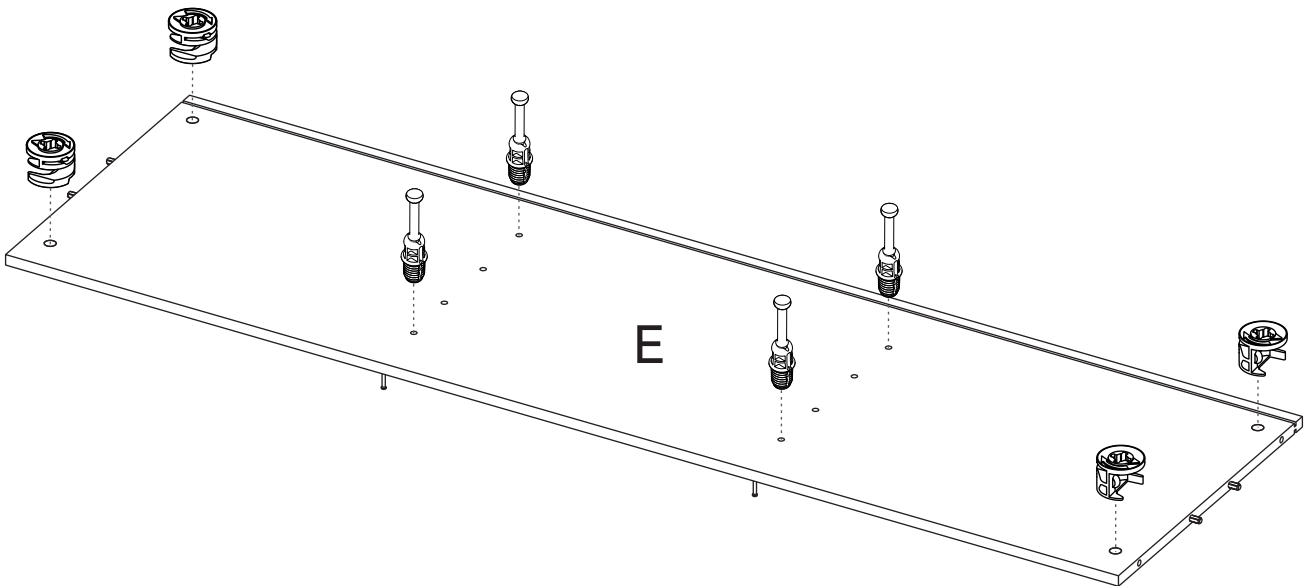
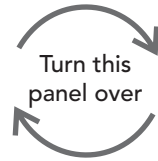
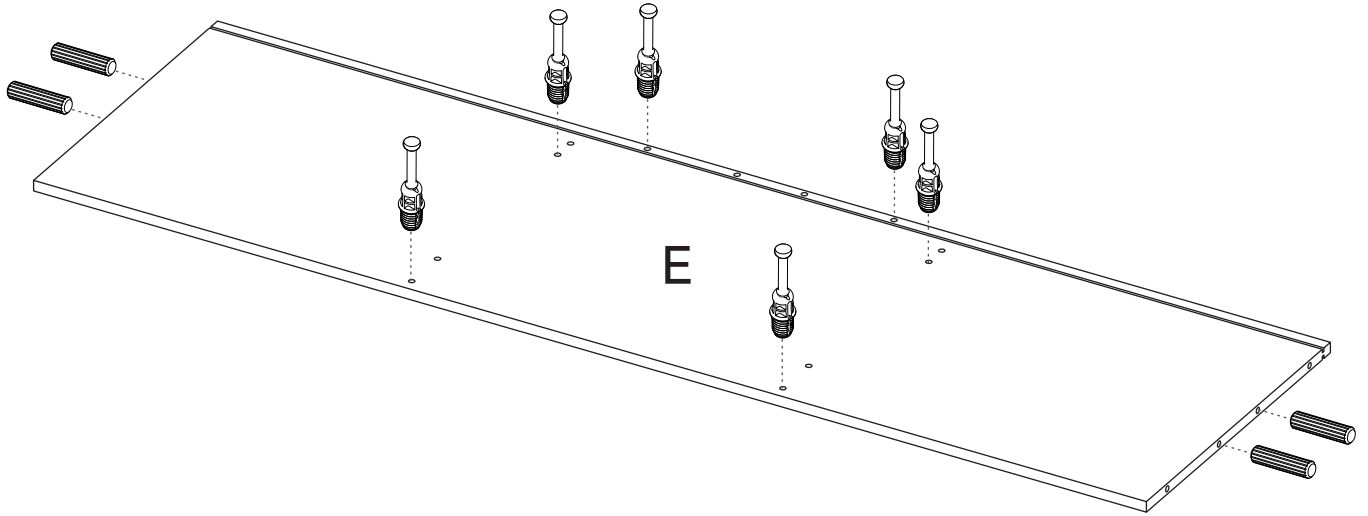


15



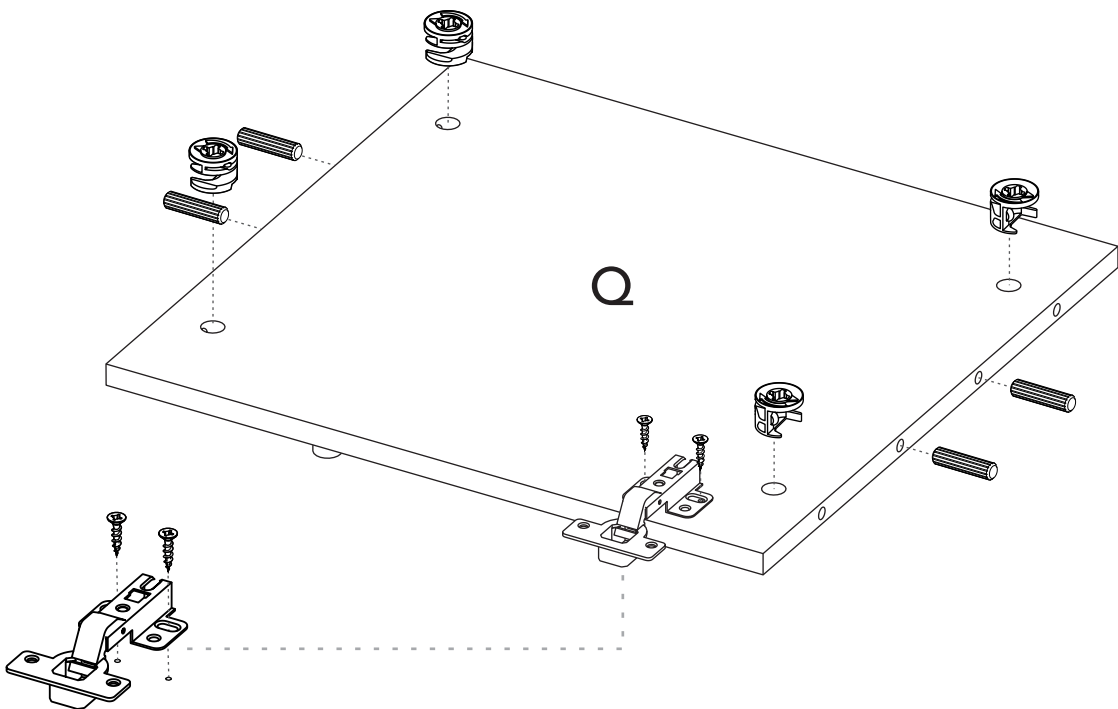
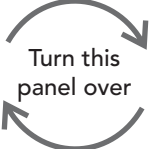
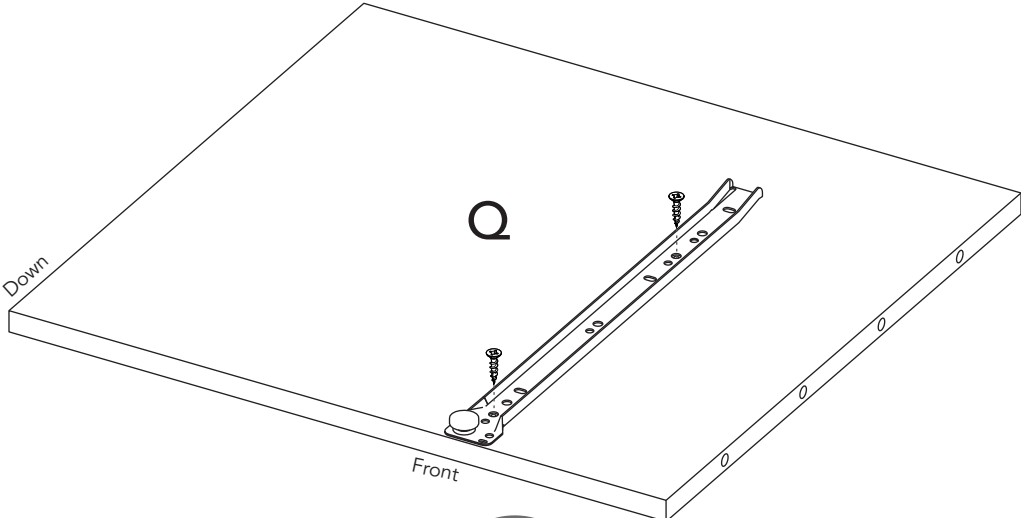
16





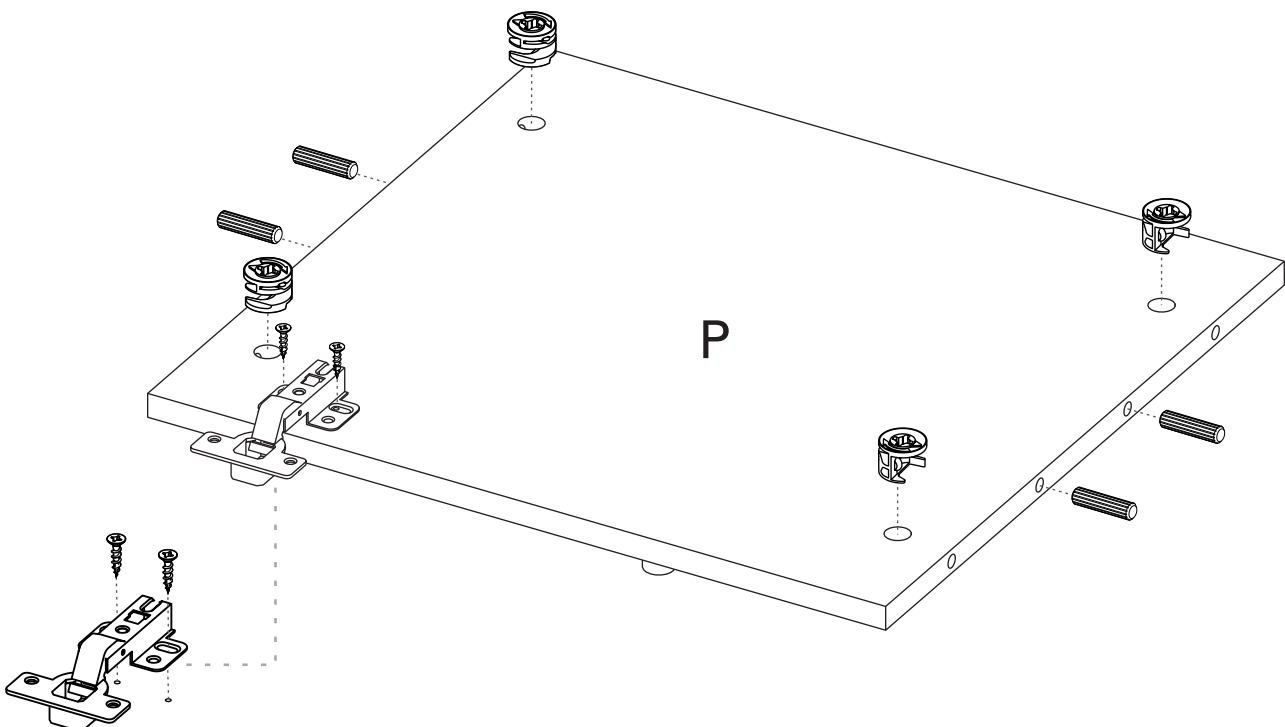
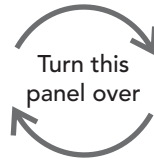
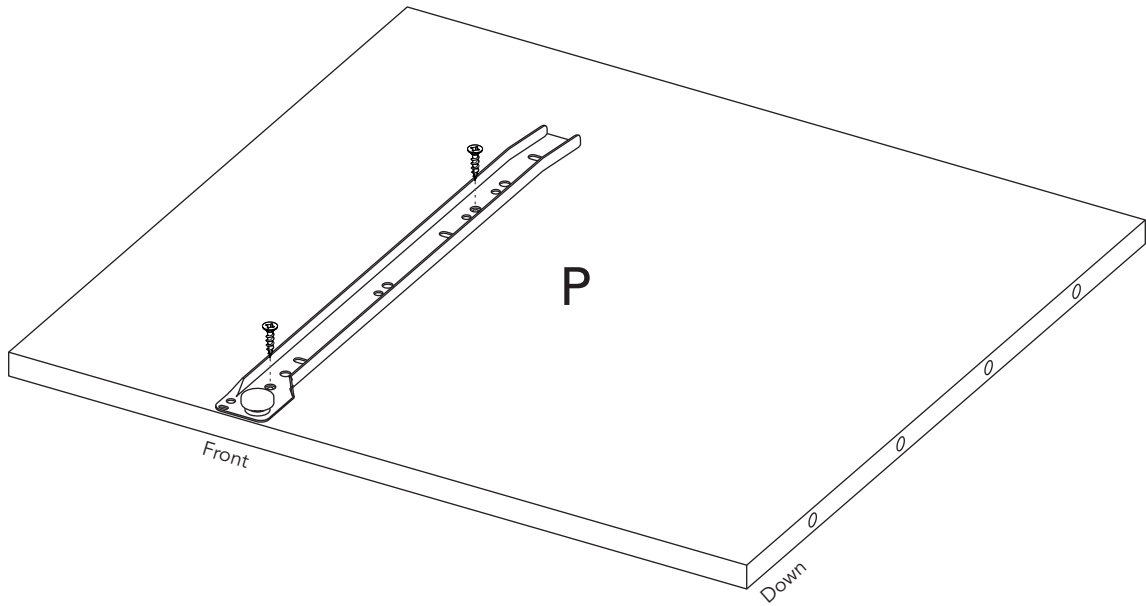
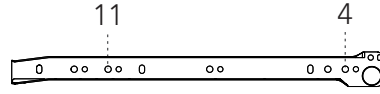
18 Drawer slides installation (apply for steps 18 and 19)

The wheel should go towards the front edge of the panel and facing down, like this:

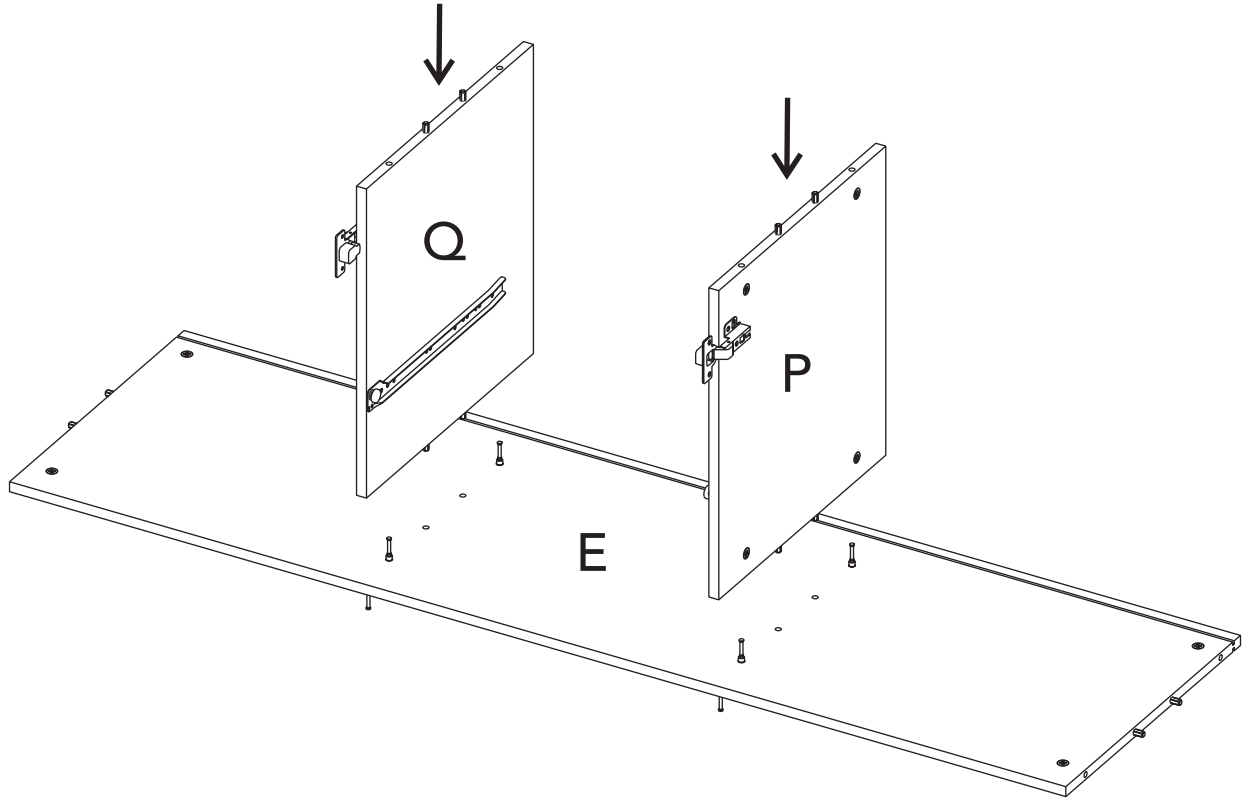


19

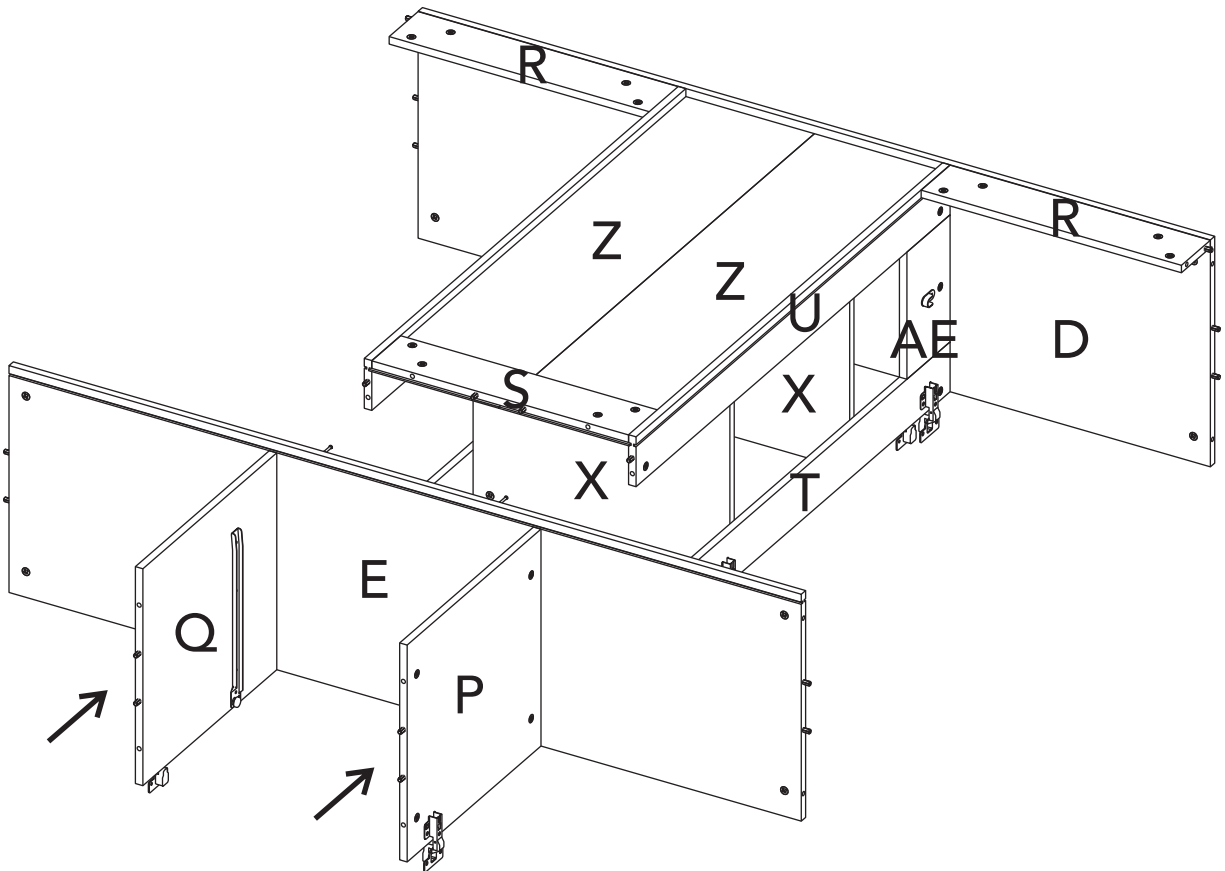
To recall the slides installation you can go to the 18th step again.

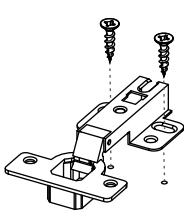
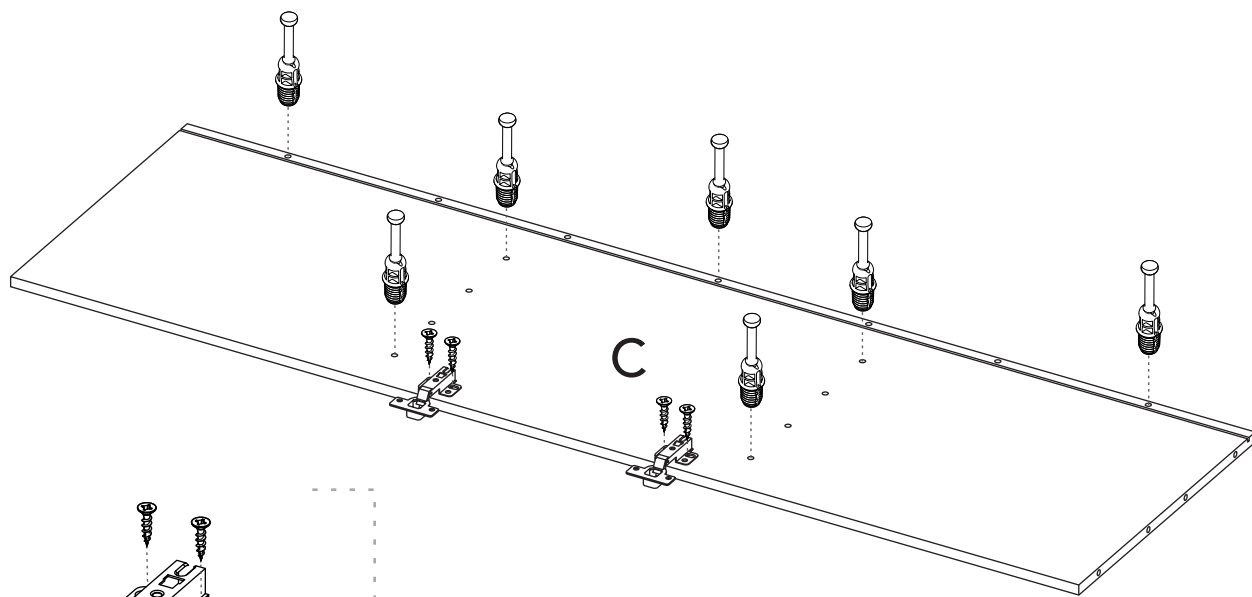


20

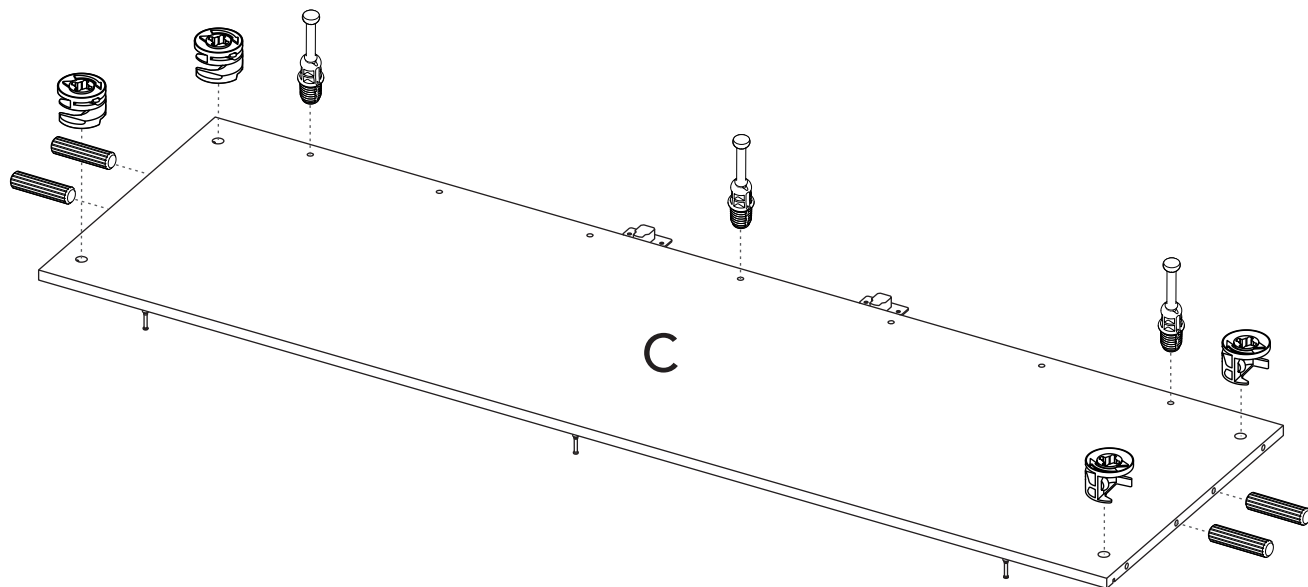


21

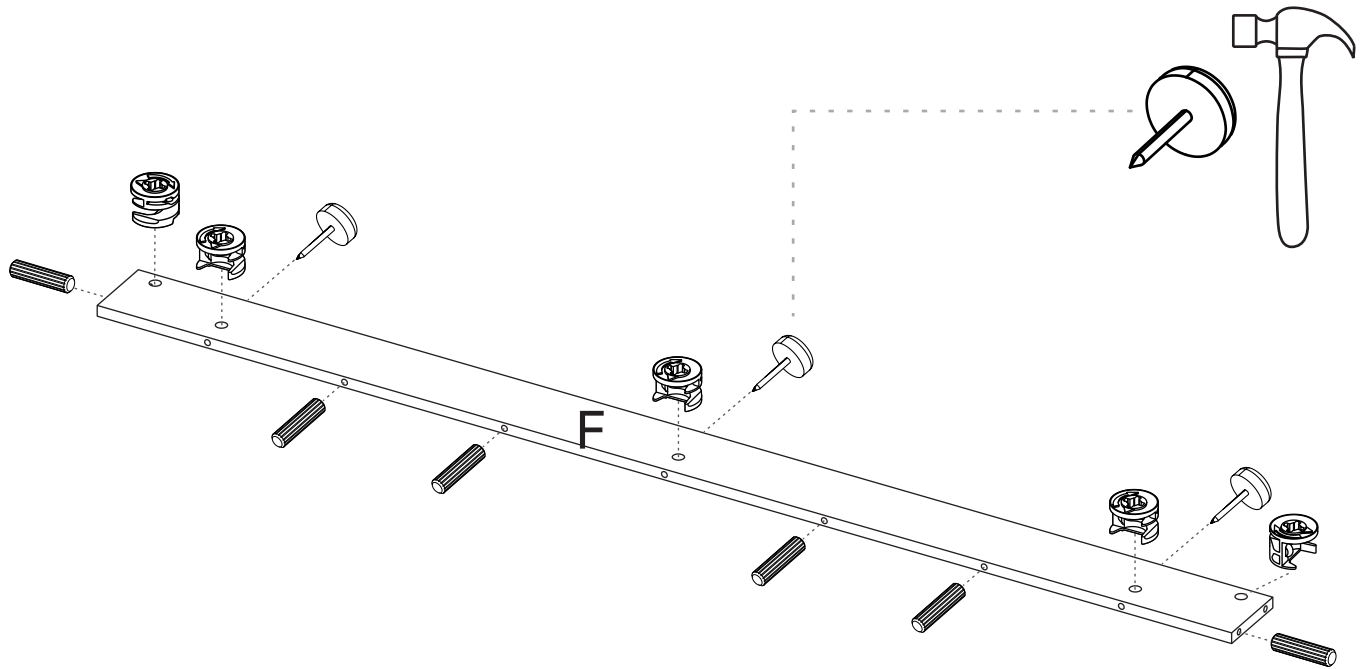




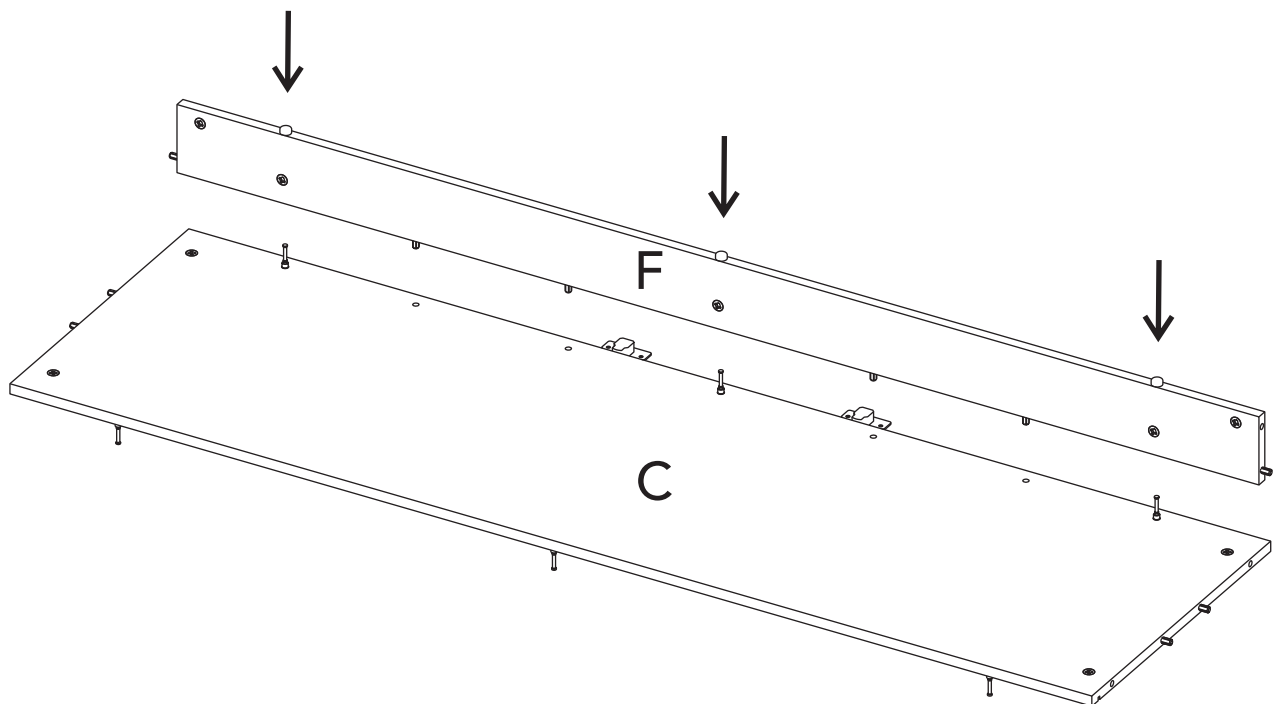
Turn this panel over



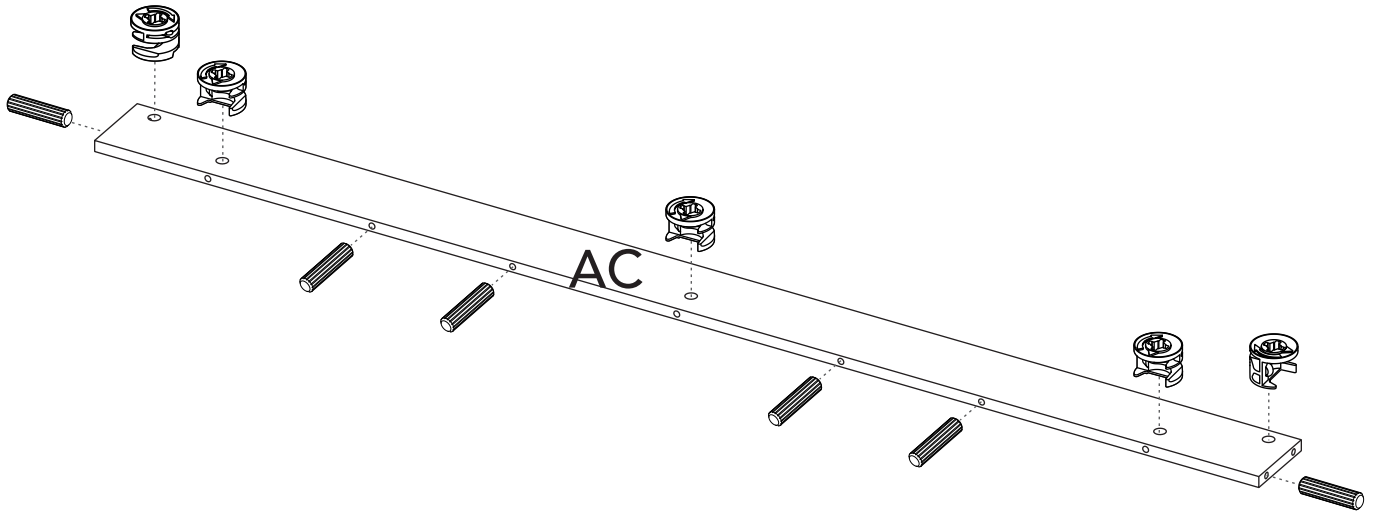
23



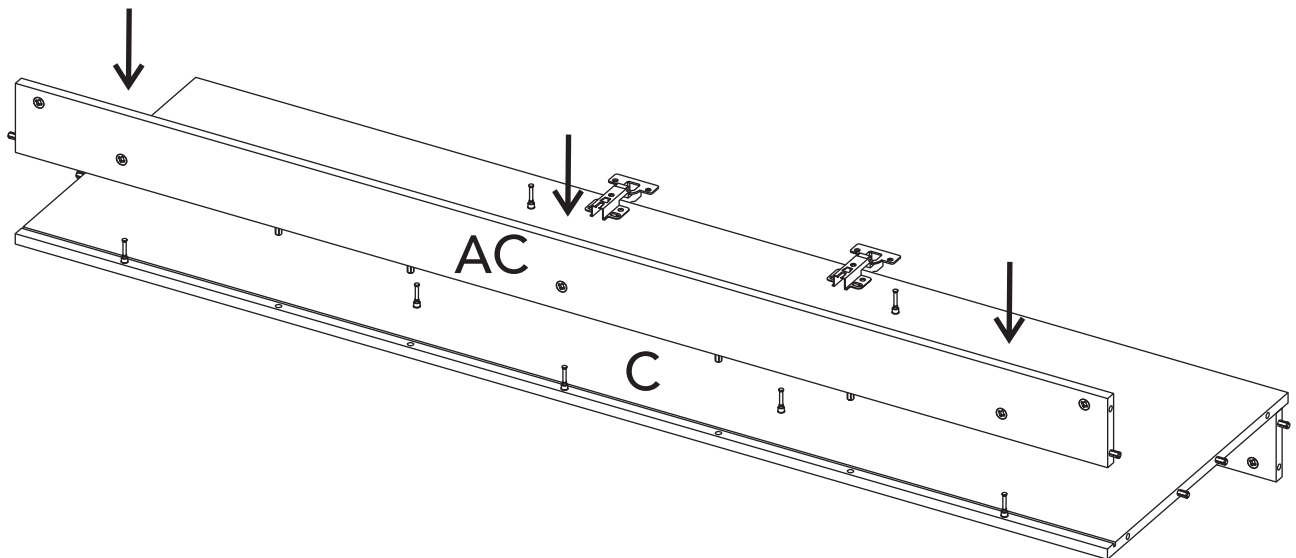
24



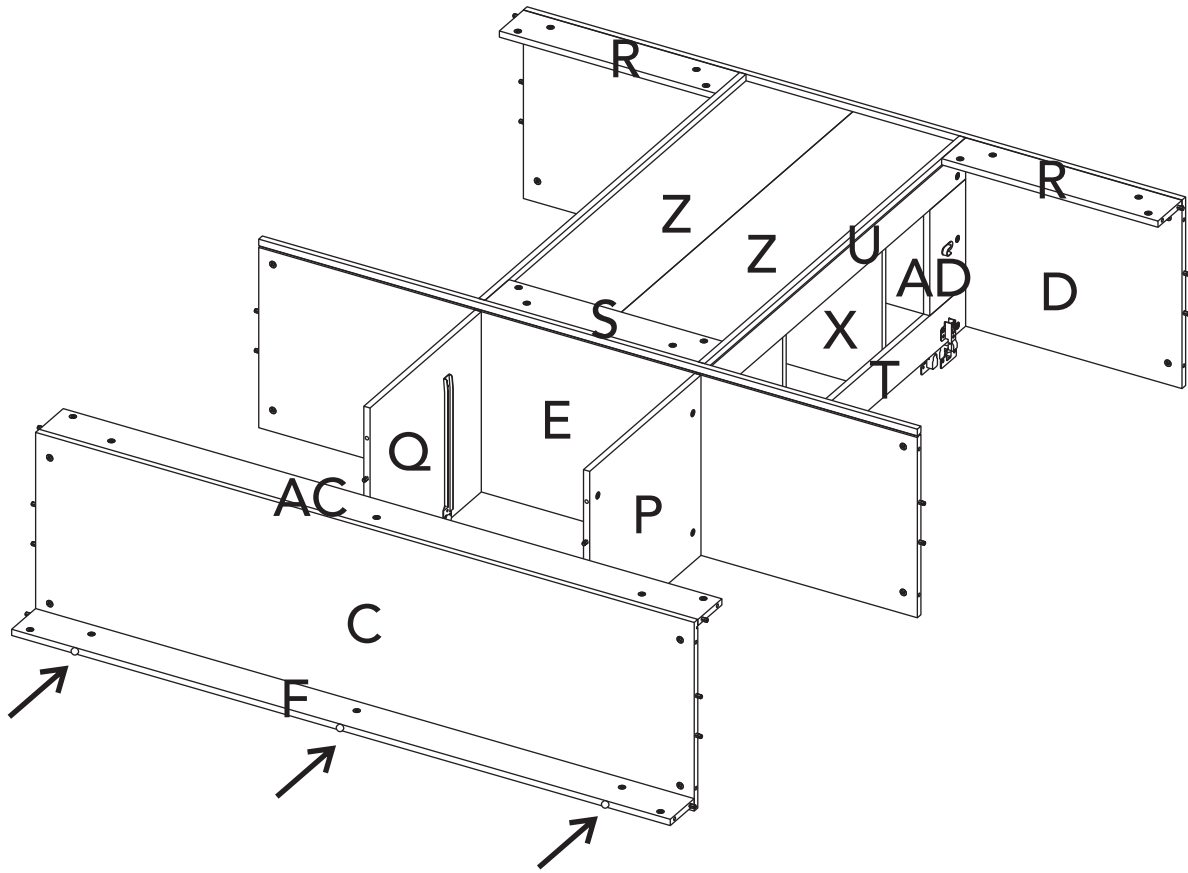
25



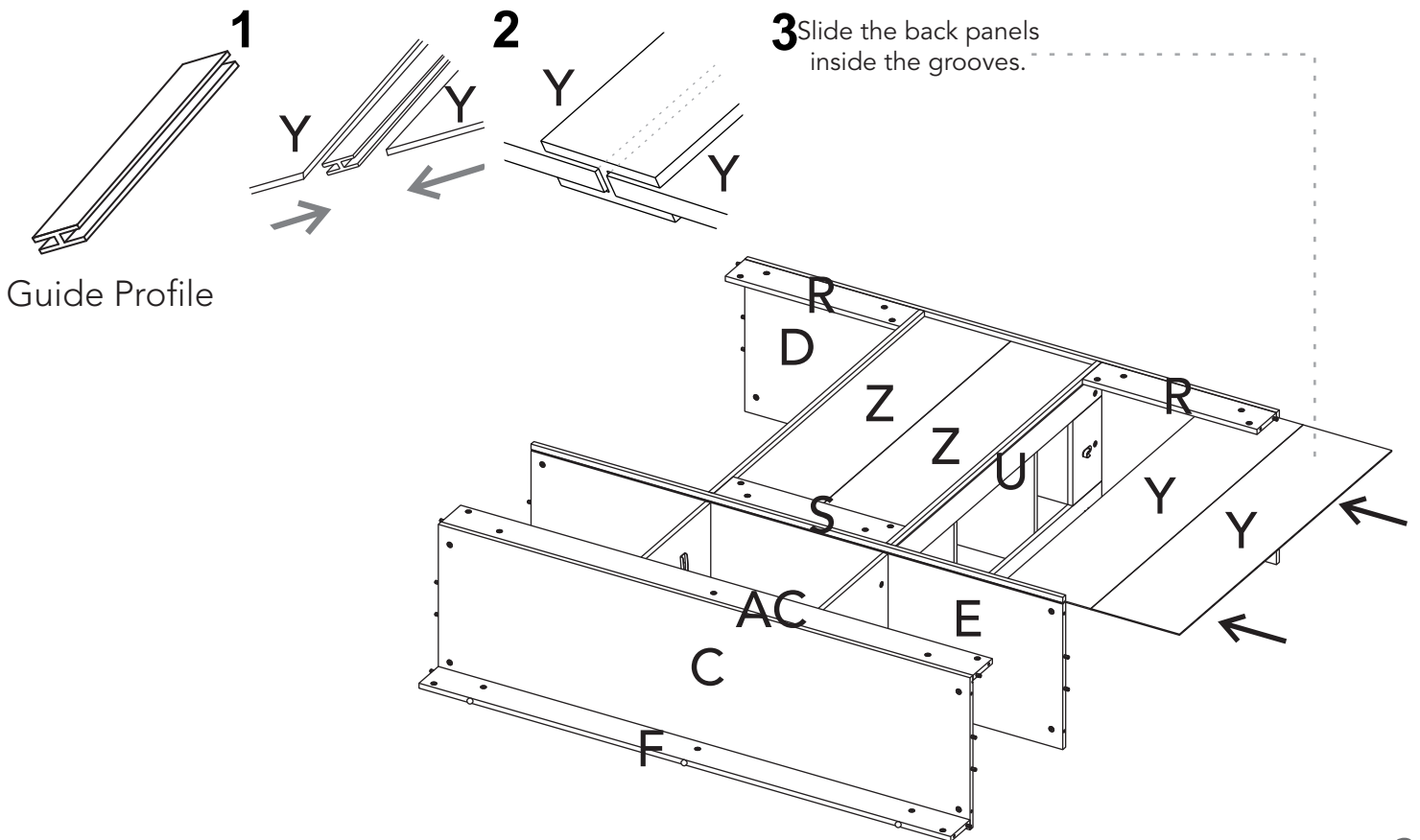
26



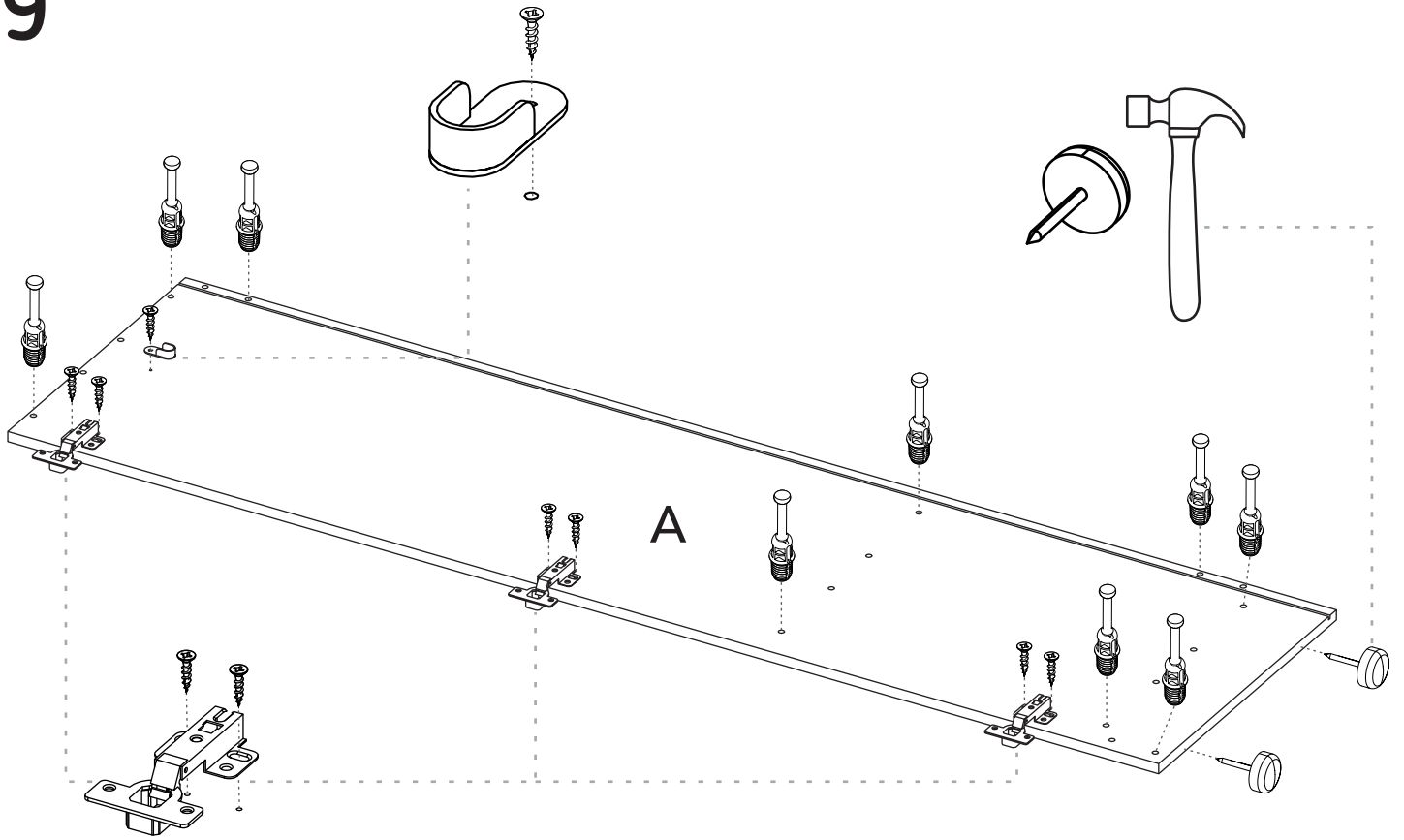
27



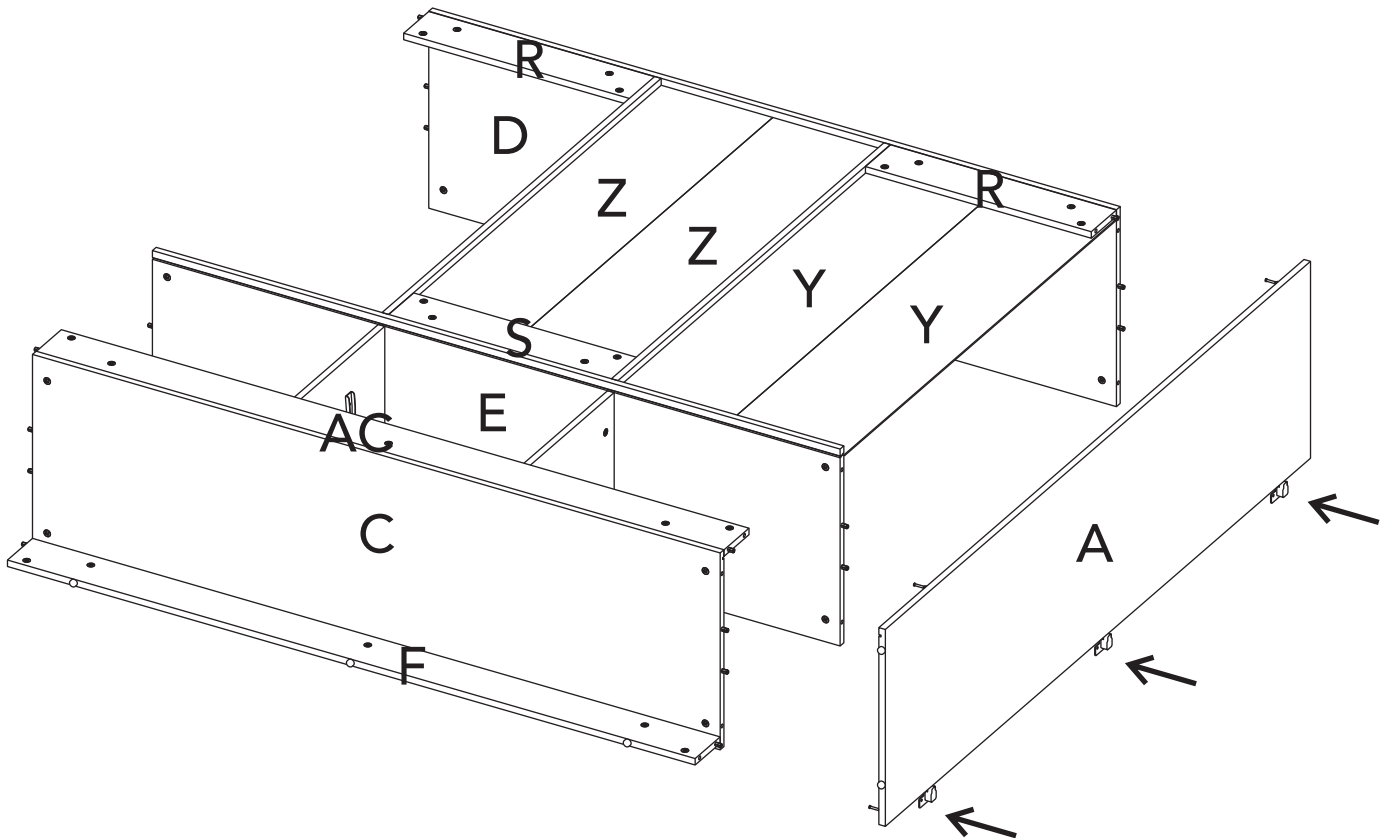
28



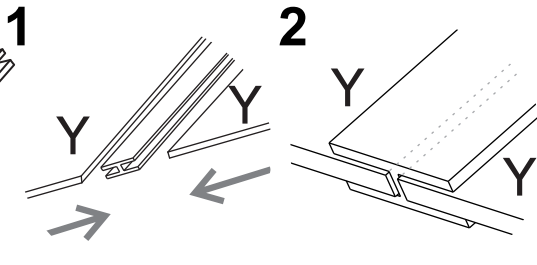
29



30

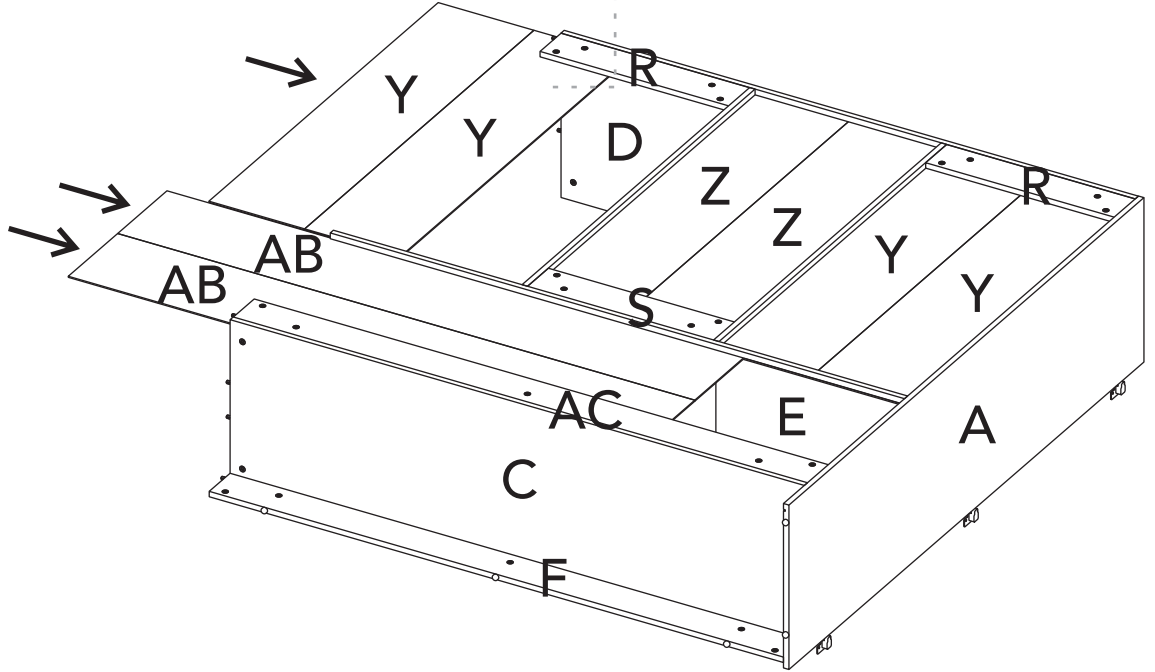


31

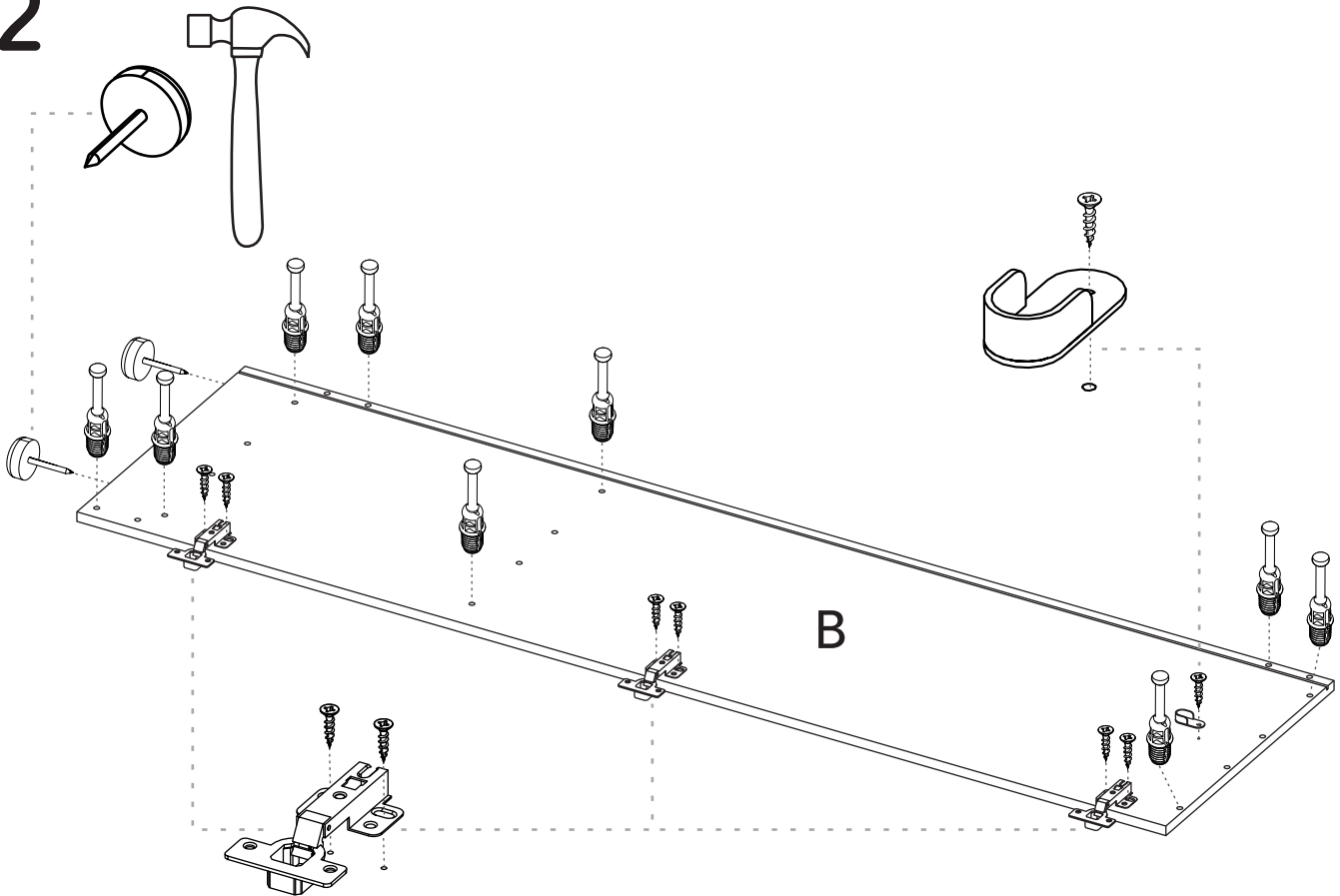


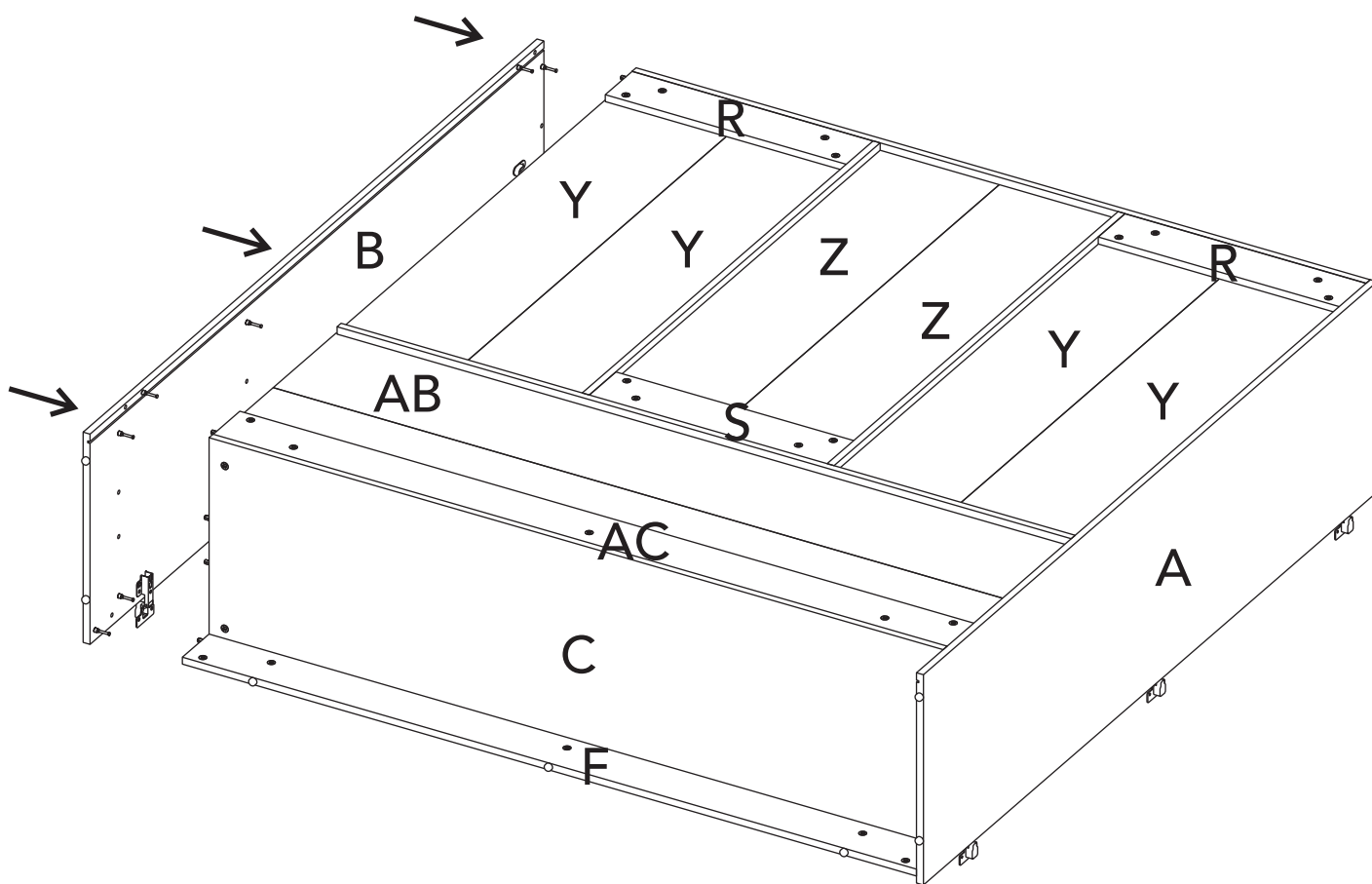
3 Slide the back panels inside the grooves.

Guide Profile




32





34

Fix your cabinet to the wall

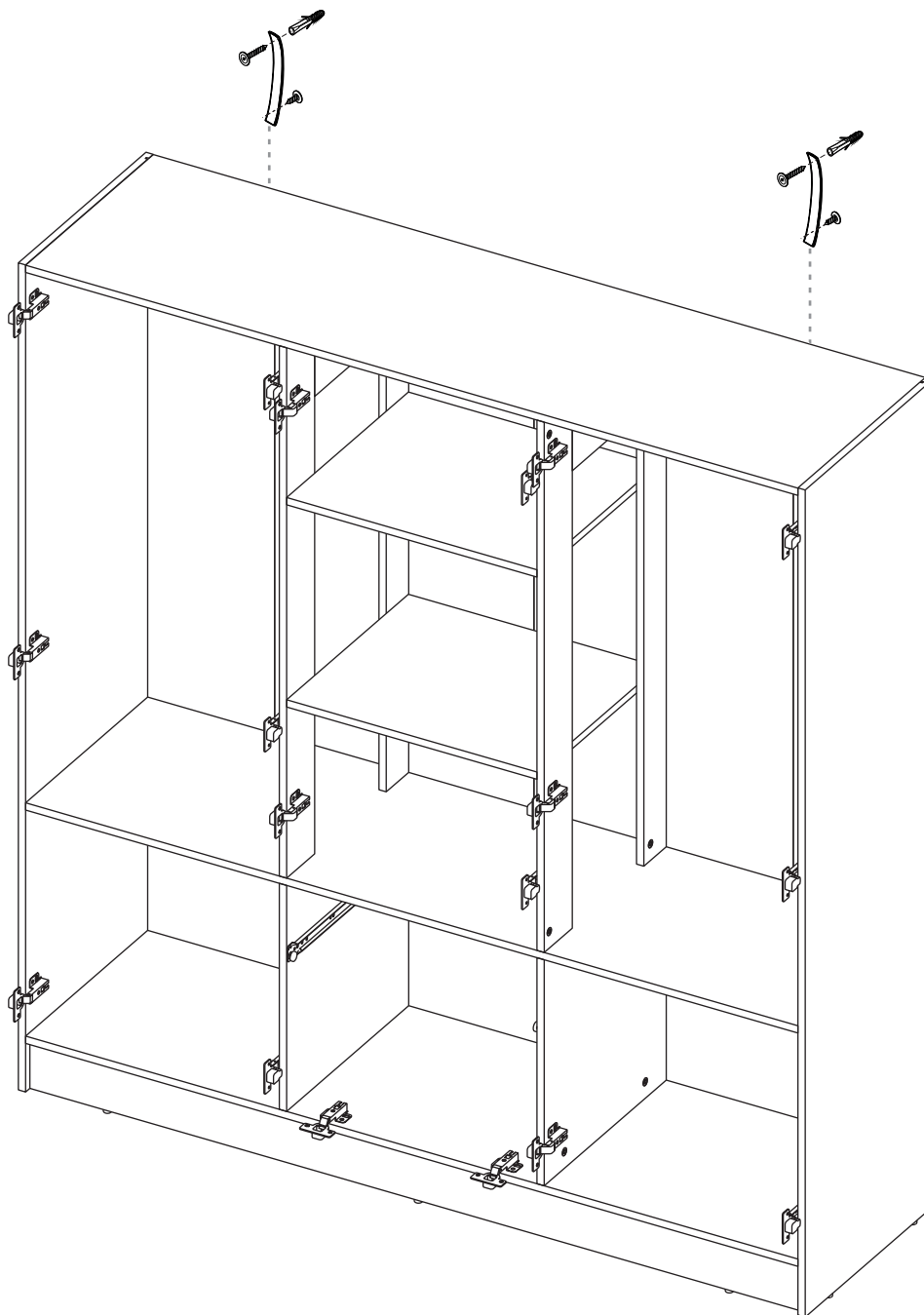
1 Make a small hole on the top edge of the furniture top and fix one side of the strip with the 15mm screw and the washer. 

2 Stretch the strip and measure on the wall to drill. 

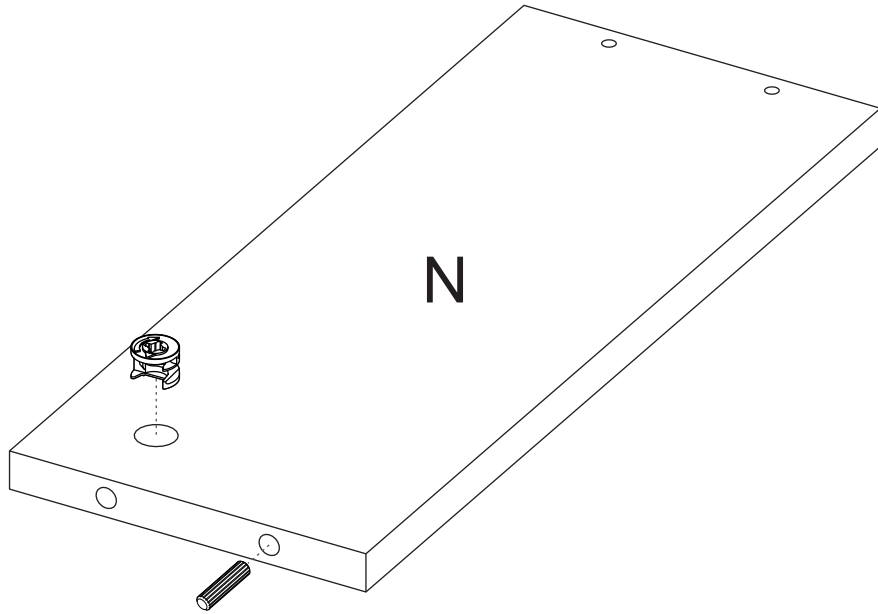
3 Drill a hole in your wall to a depth of 30mm using a 6mm drill bit. 

4 Insert the plastic wall anchor into the hole. 

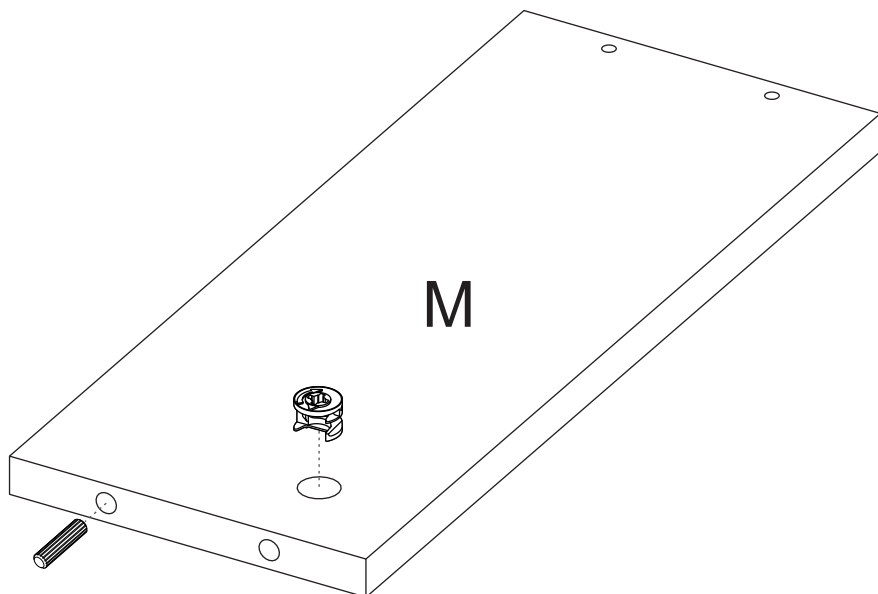
5 Fix the other side of the strip with the screw and the washer. 



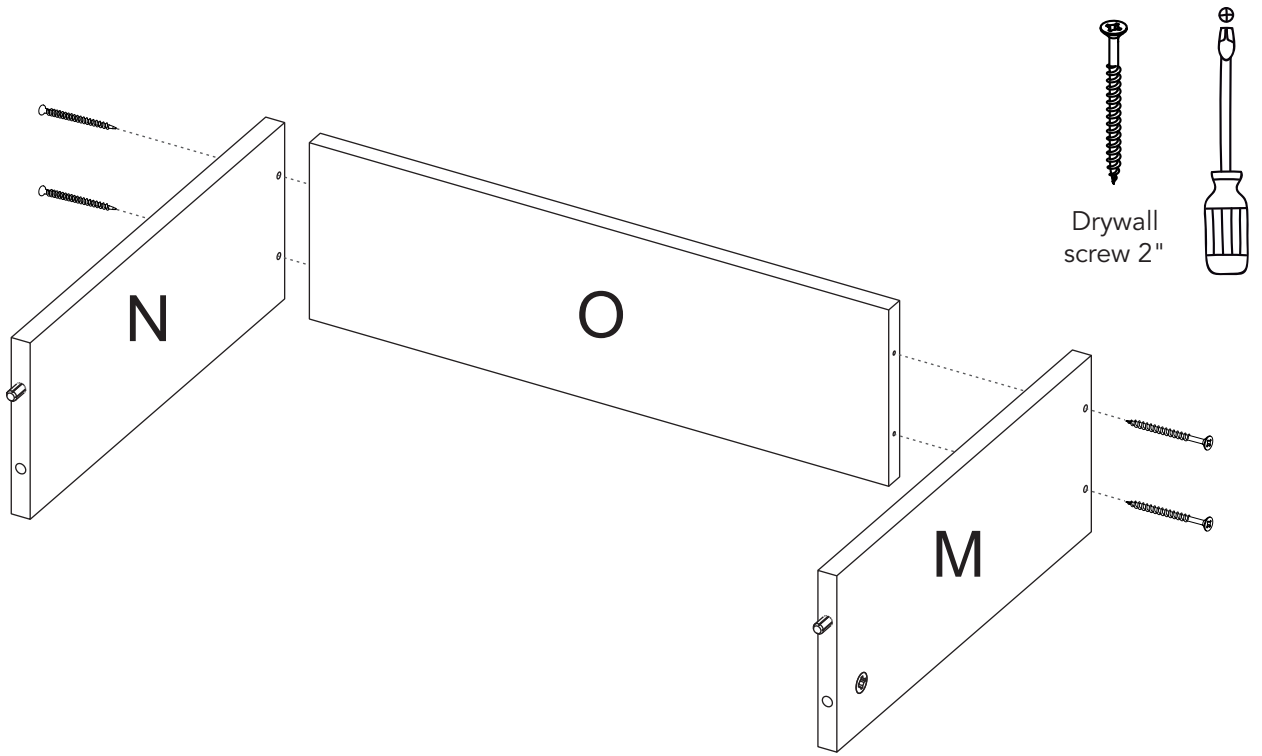
35



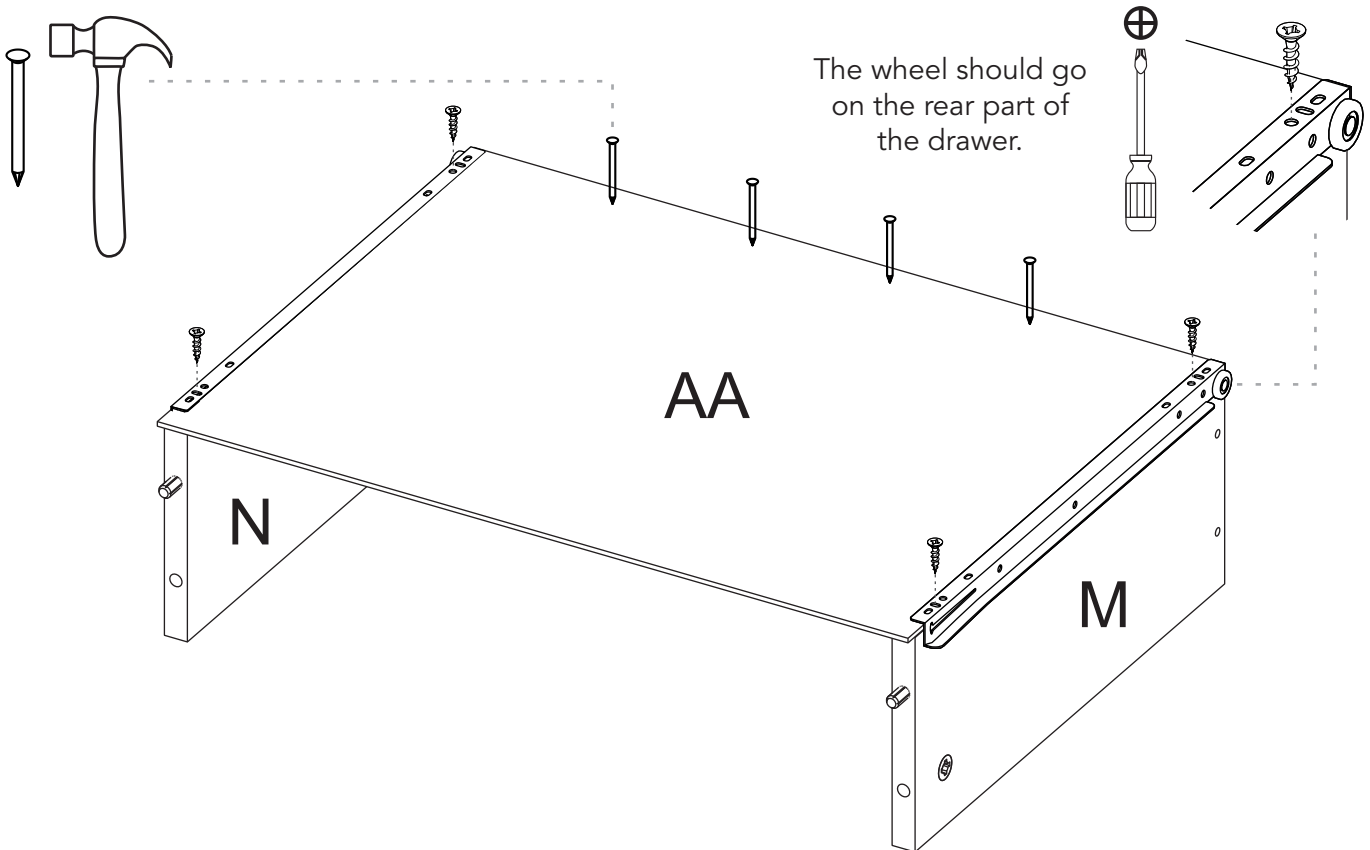
36



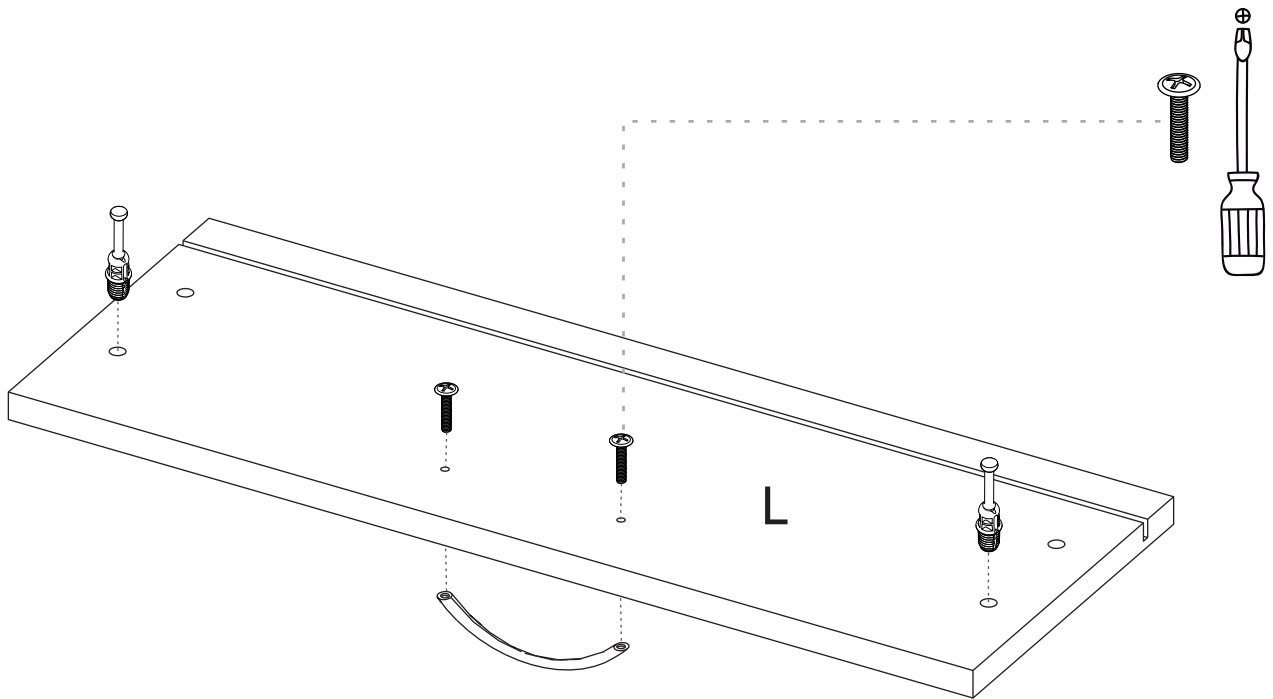
37



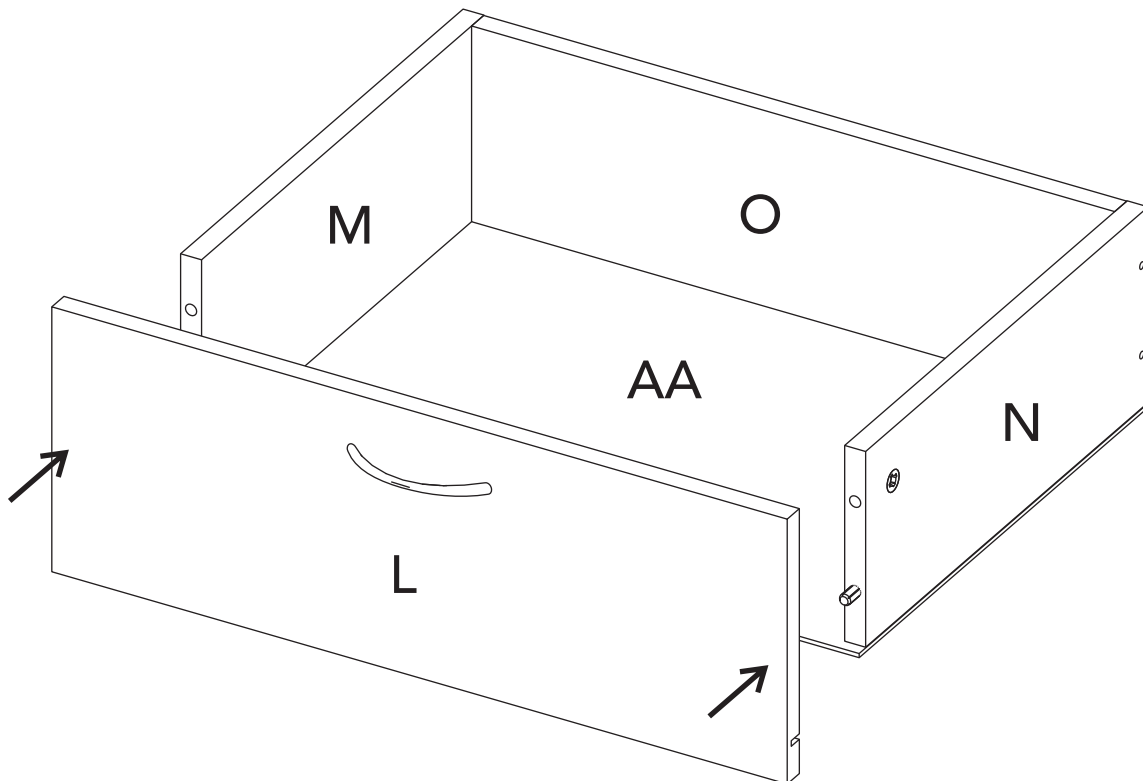
38 Putting the drawers in



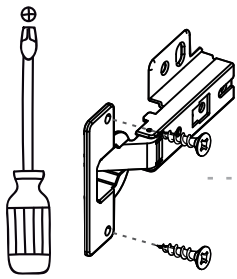
39



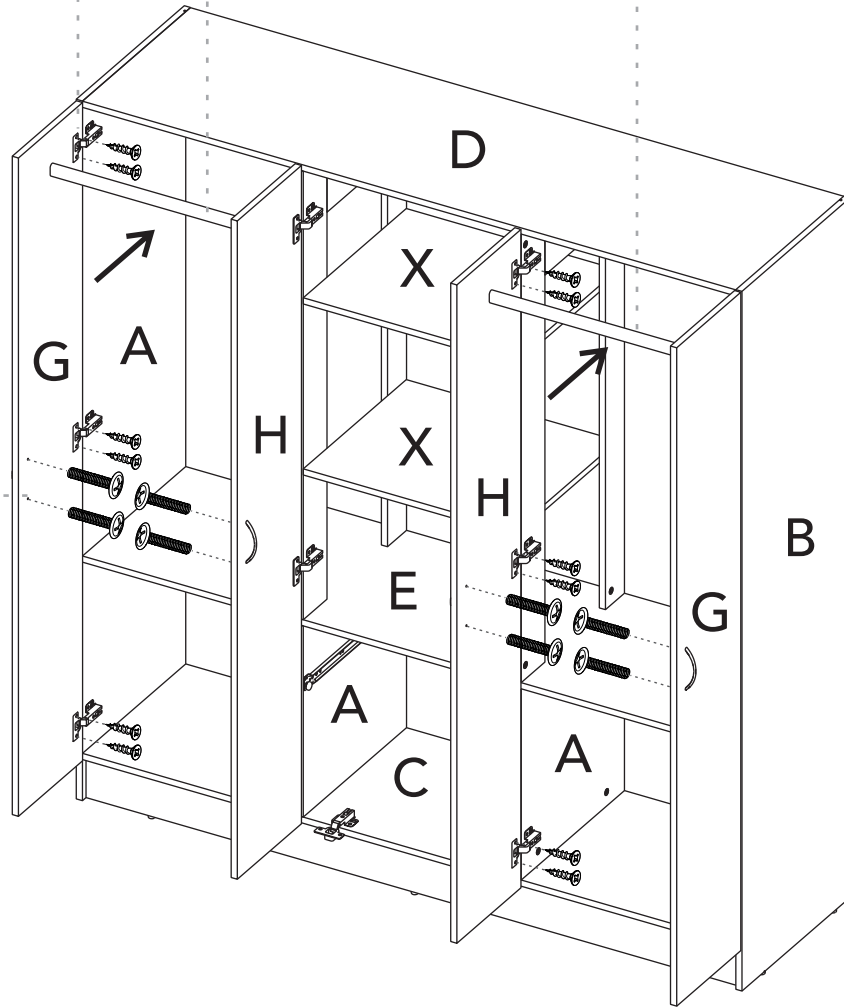
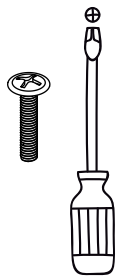
40



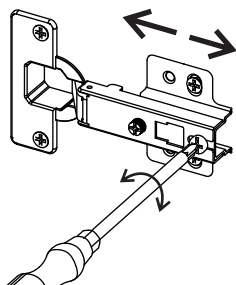
41 Assembling and setting up the door



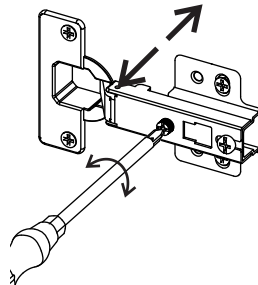
Slide the closet rods inside the cabinet.



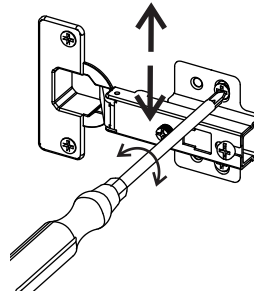
Hinge adjustment



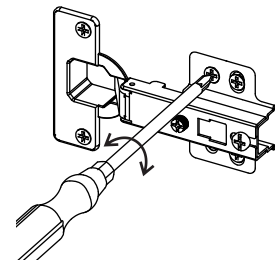
Depth adjustment



Lateral adjustment

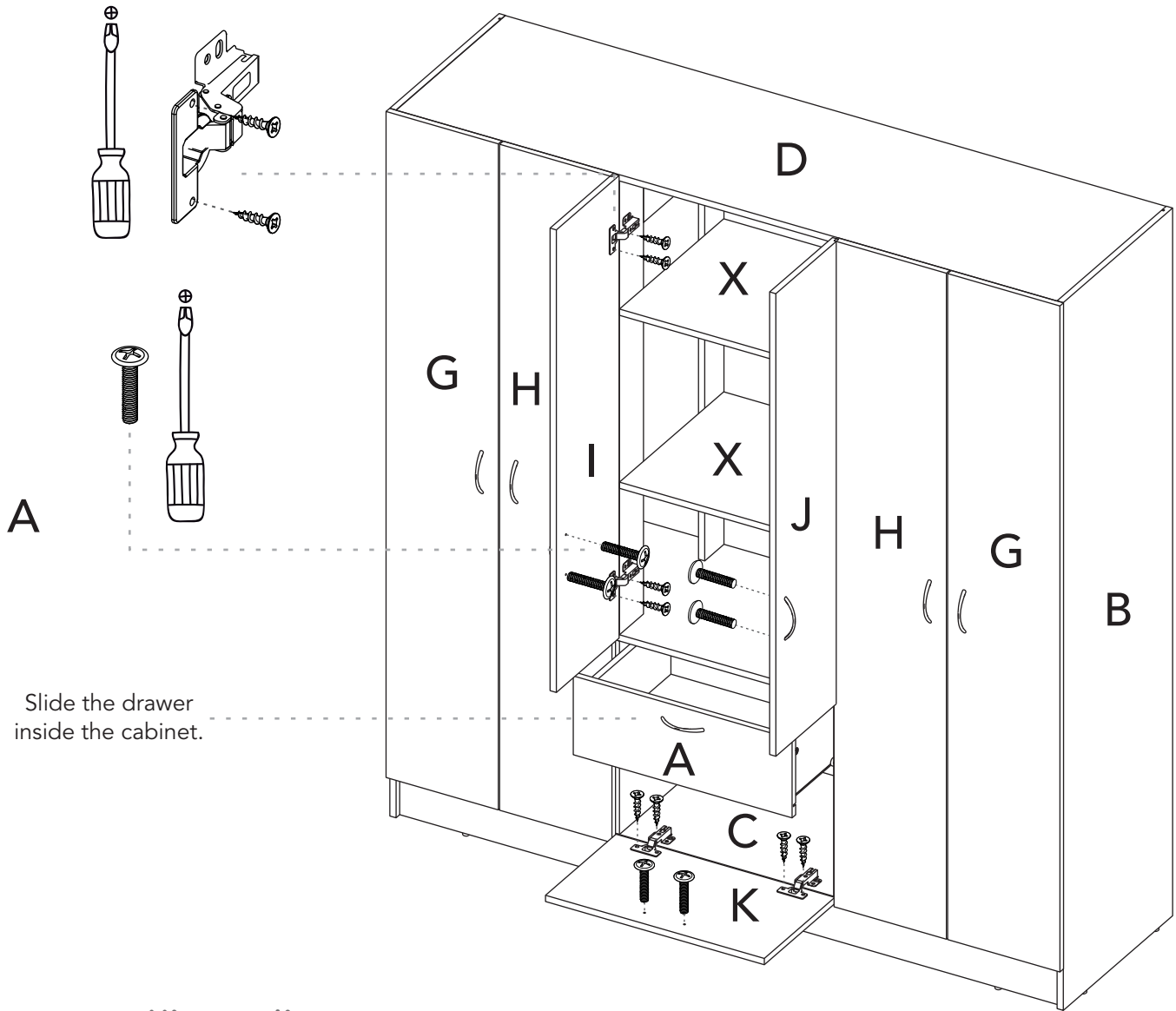


Height adjustment

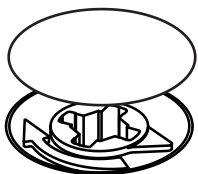
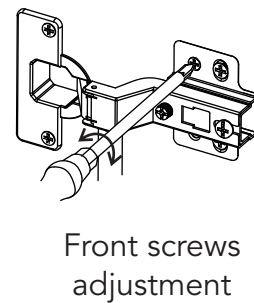
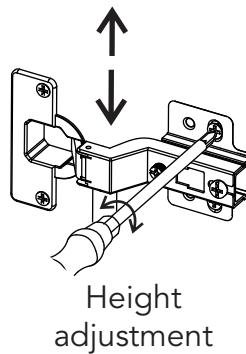
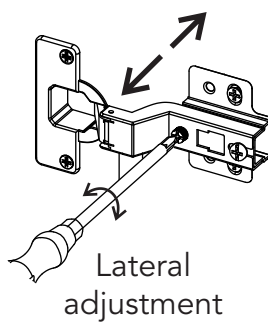
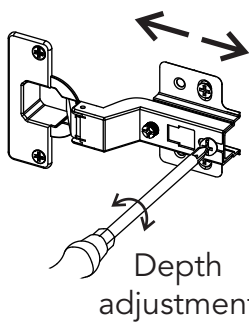


Front screws adjustment

42 Assembling and setting up the door



Hinge adjustment

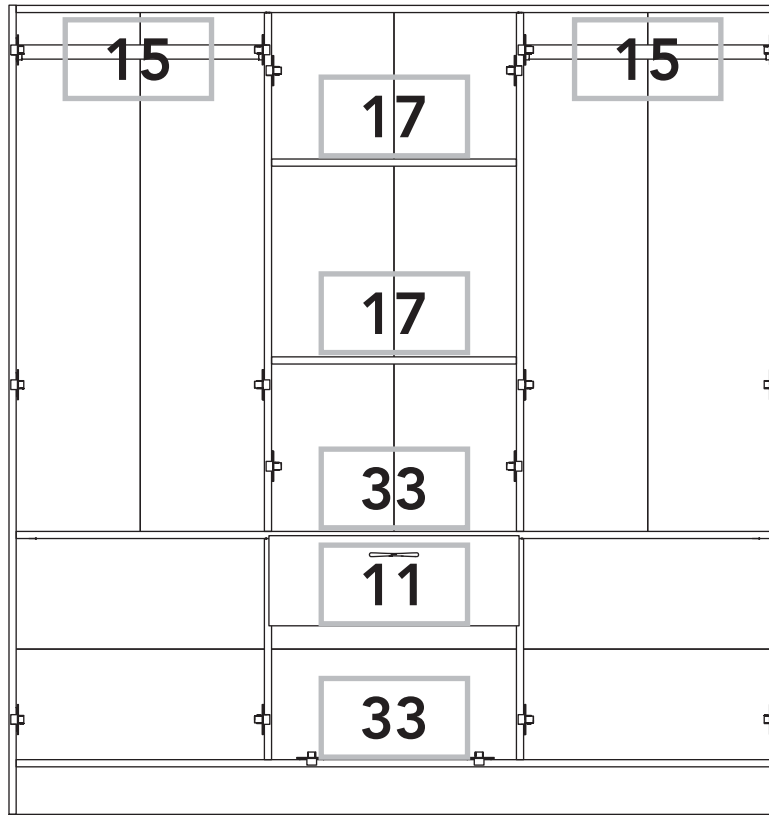


After adjusting all the Minifix cams, cover them up with the cover caps.



After finishing the assembly, lift off all the adhesive letters.

How much weight does my cabinet resist?



*weight in pounds



Congratulations!
It's done

But don't go yet!

There are some recommendations left for you to take care of your cabinet correctly from now on.

SUPER IMPORTANT!

We suggest fixing the cabinet to the wall, so we can avoid the cabinet tipping and harming anyone. Be specially careful with the kids.

Taking care of your cabinet:

- Do not paint the cabinet.
- The cabinet is exclusively for indoor spaces. Do not expose it to the direct sun.
- Clean the metallic hardware with a dry cloth.
- DO NOT overload the cabinet (see suggested loads)
- Do not hit or hammer the cabinet (only when indicated here).
- Clean it with thinner, a soft soap solution or simply a damp cloth.
- Don't drag the cabinet, lift it up with other people.
- Avoid direct contact with water, fire or exposing it to high heat.

Cabinet panels

