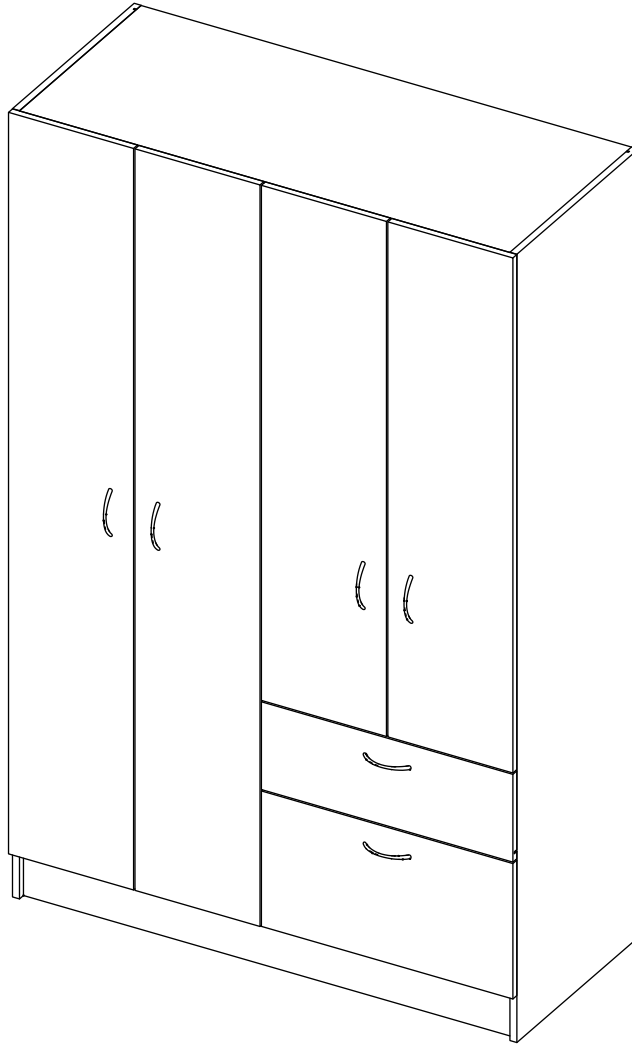


ASSEMBLY INSTRUCTIONS

VAUPES ARMOIRE



It's much better if you get some company for this!

TUHOME

FURNITURE

If any parts are broken or missing please contact us at:
1-888-391-01-66 / customerservicetuhome@rta.com.co
Our customer service team will provide you help
to resolve any issues immediatly

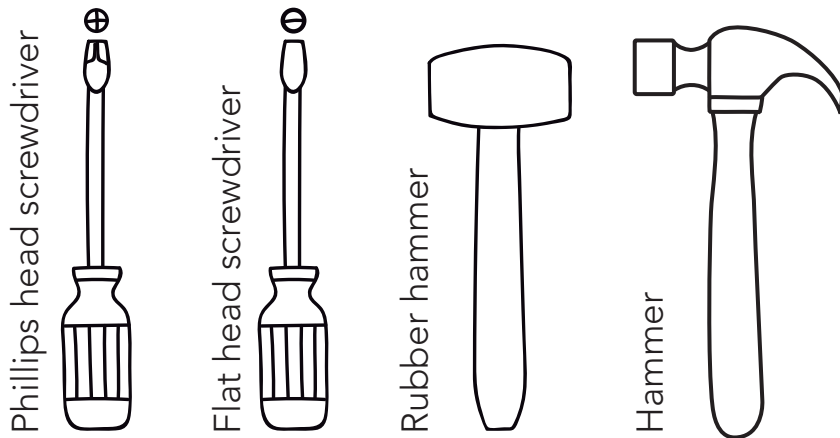
REF./SKU. CLW5953

LOT N°

Index

What will you need?	2
Where should you start?	3
What's in the hardware bag?	4
How do the dowels and Minifix system work? (We also explain what they are)	5-6
Let's start assembling!	7
How much weight does your cabinet resist?	29
Our last recommendations for taking care of your cabinet	30

What will you need?

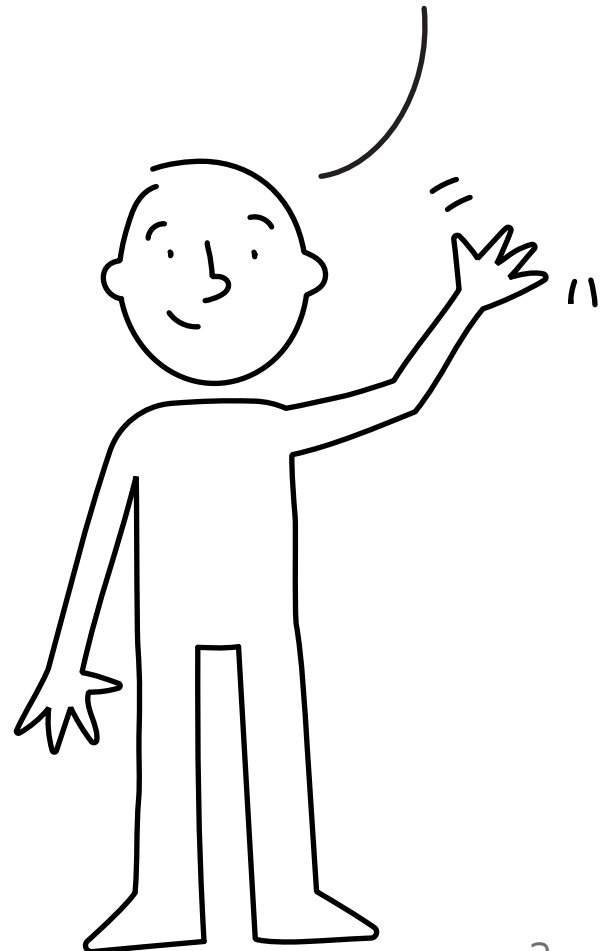


A flat, smooth surface. You can use the cardboard of the box or a rug.



An electric screwdriver isn't necessary, but it can make the work much easier :)

Hi! my name is Armando, and I'll be with you while you assemble this cabinet.



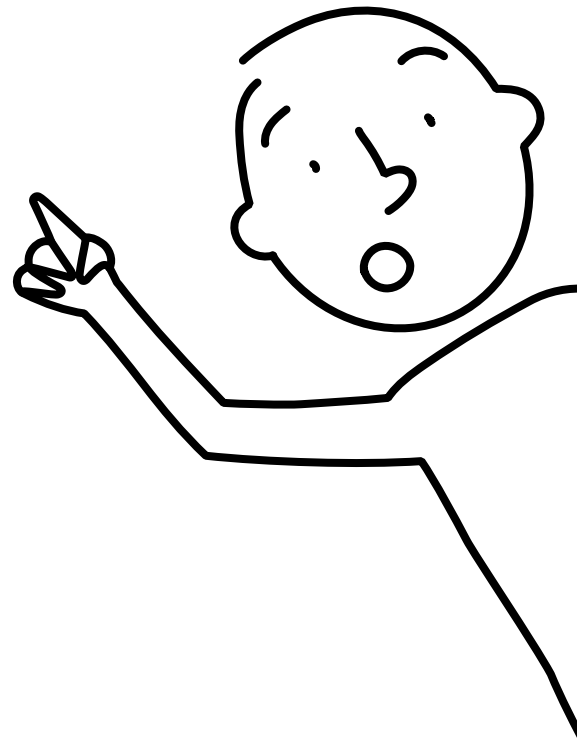
Where should you start?

This is so IMPORTANT!

Over the next few pages is the panel and hardware content for this cabinet.

Please make sure that the quantity of each one is correct, and that everything is in good shape.


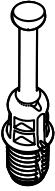



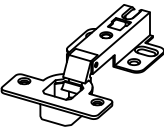
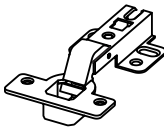


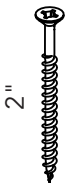
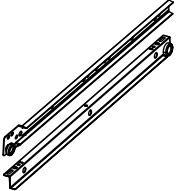

(When the cabinet is already assembled there's no warranty for this)

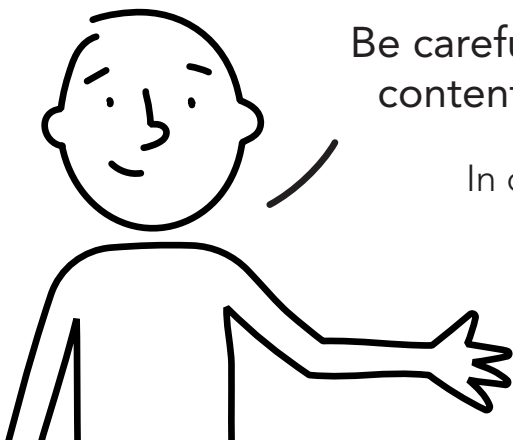


Panel quantity

A - x1	G - x1	M - x1	S - x2
B - x1	H - x1	N - x1	T - x3
C - x1	I - x1	O - x1	U - x1
D - x1	J - x1	P - x1	V - x4
E - x1	K - x1	Q - x1	W - x2
F - x1	L - x1	R - x1	X - x1

What's in the hardware bag?

			
Wood dowel x52	Spreading bolt x51	Minifix cam x51	Cover caps x10
			
Cover caps x42	Overlay Hinge + screws x7	Half Overlay Hinge + screws x5	Glue x2
			
Flat head screw x6	Drywall screw x4	Drawer slides + screws x1	Nail-on glide x6



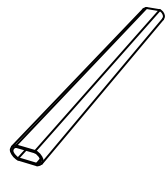
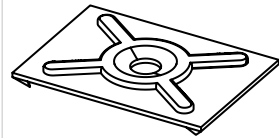
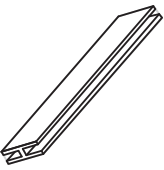
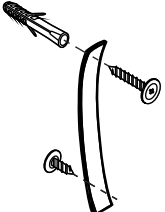



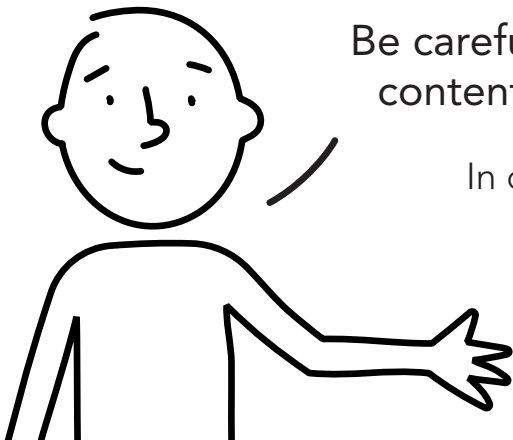
Be careful!, try not to lose anything from this bag, its content it's necessary for assembling you cabinet.

In case something is missing, please call to our customer service line:

1-888-391-01-66

What's in the hardware bag?

 Closet rod support x2	 Handle x6	 Closet Rod x1	 Rear Panel Clamp x4
 H profile x2	 Roll Over Kit + Screws x2	 Nail x4	



Be careful!, try not to lose anything from this bag, its content it's necessary for assembling you cabinet.

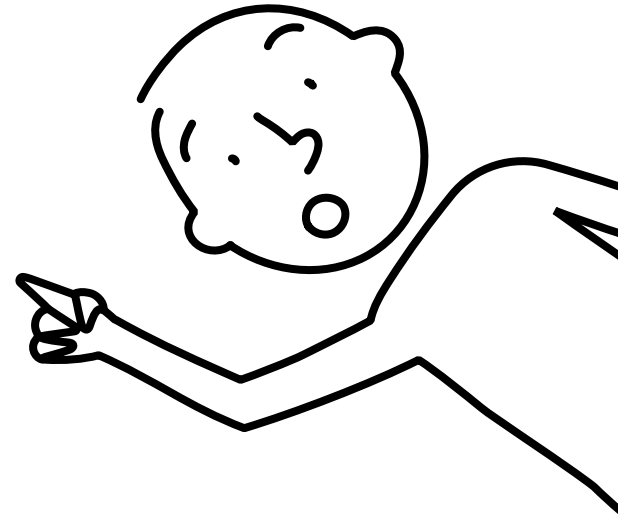
In case something is missing, please call to our customer service line:

1-888-391-01-66

How do the dowels and Minifix system work?

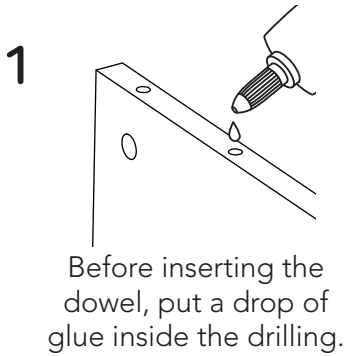
this is so important too!

Everytime you're using one of these connectors during the assembly, you should follow these same steps.

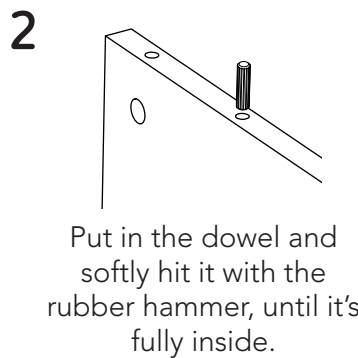


Wood dowels

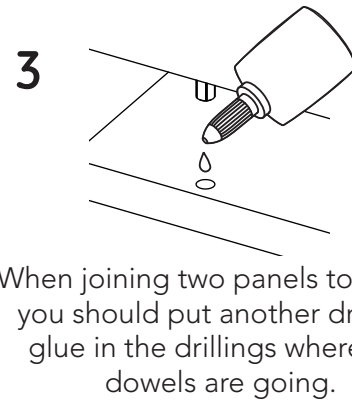
They are little wooden cylinders.



Before inserting the dowel, put a drop of glue inside the drilling.



Put in the dowel and softly hit it with the rubber hammer, until it's fully inside.

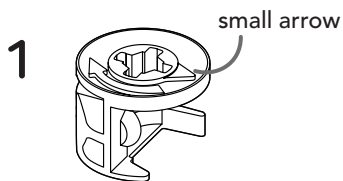


When joining two panels together, you should put another drop of glue in the drillings where the dowels are going.

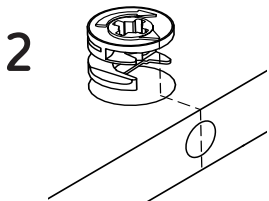
Don't forget to gently hit the panels to adjust the joint.

Minifix system

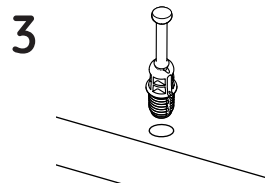
It's a joint compound of two parts: a spreading bolt and a Minifix cam.



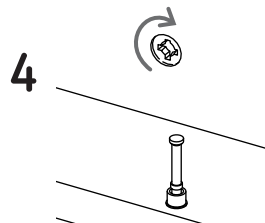
This is a Minifix cam. It has a little arrow on its upper surface.



You should insert these cams with the little arrow pointing towards the drilling on the panel's edge (shown on the left).



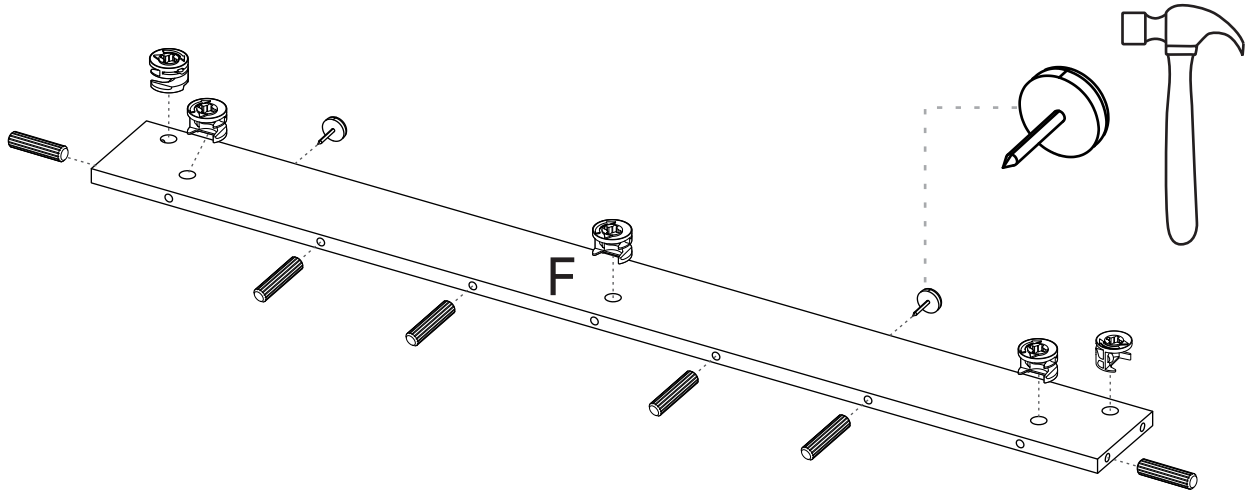
This is a spreading bolt. You should put it with the black plastic part facing down.



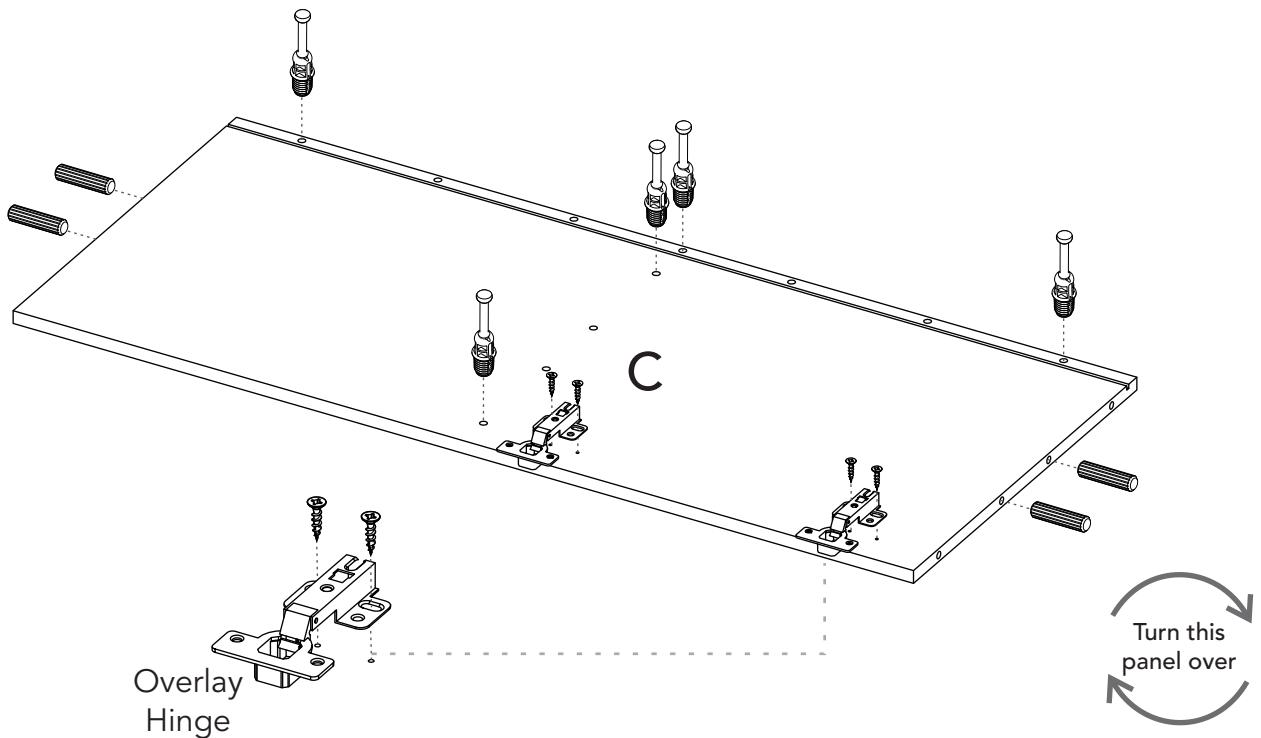
After joining two panels together you should turn the cams 180° with a phillips head screwdriver to adjust and secure the joint.

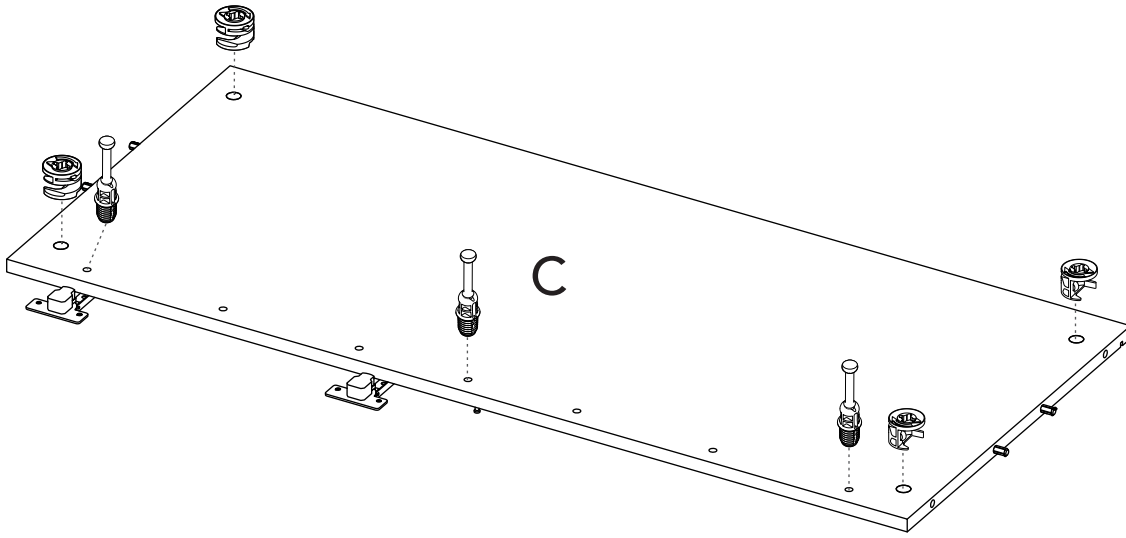
1 Let's start assembling!

You can see the last page of this manual to have a full look of the panels of this cabinet.

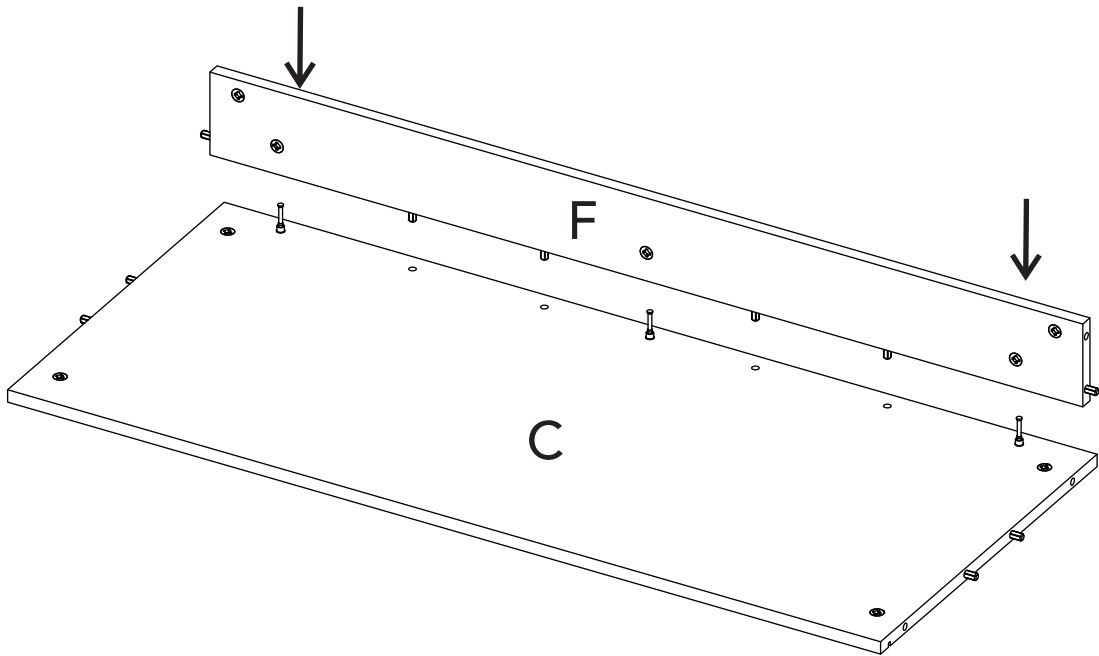


2

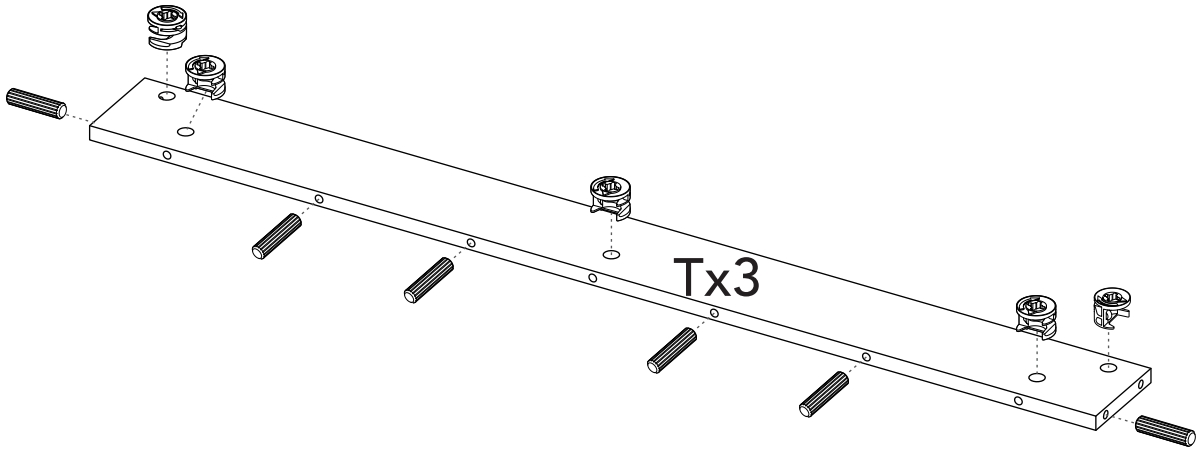




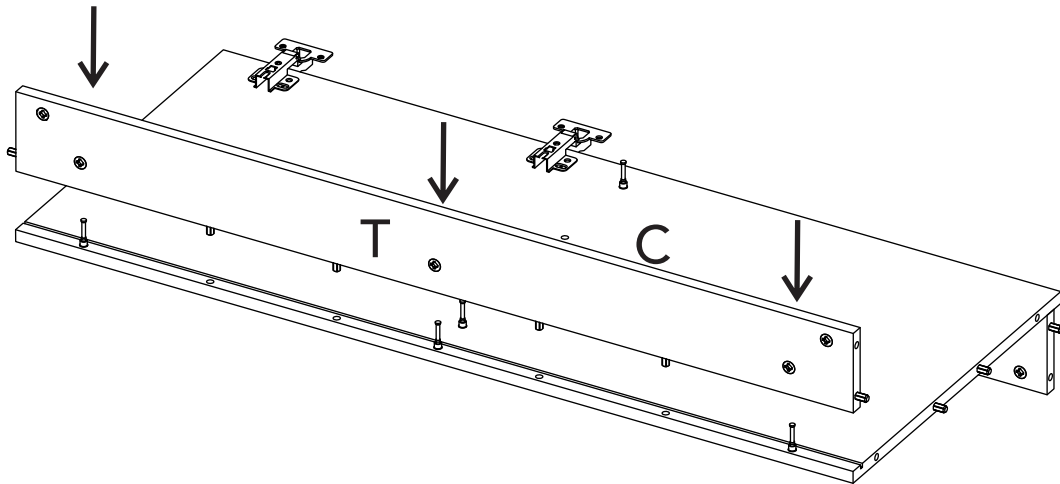
3



4



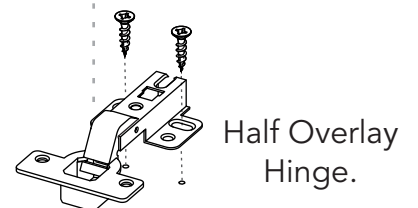
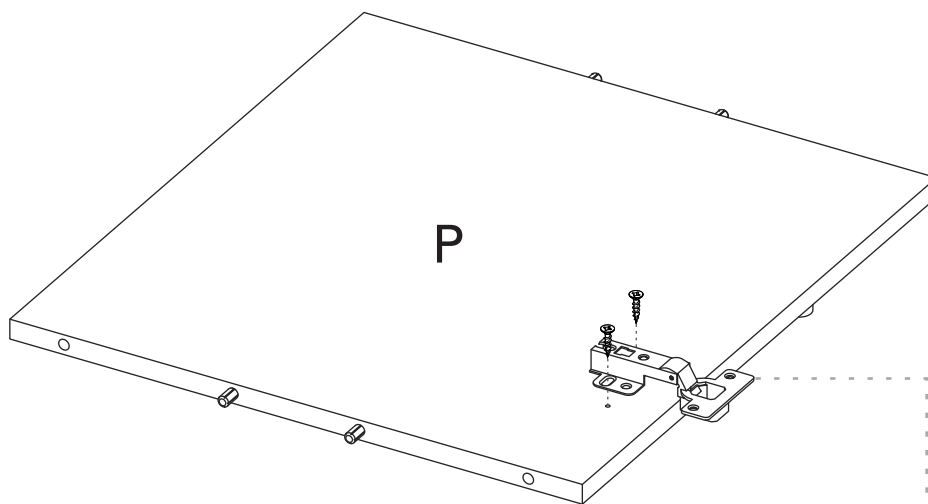
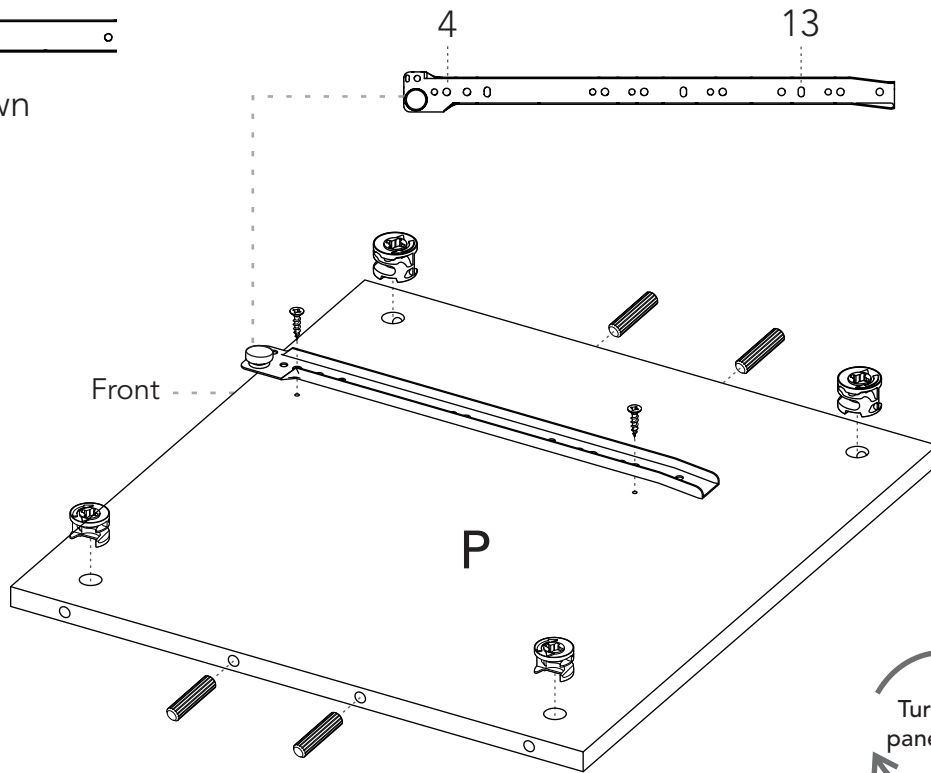
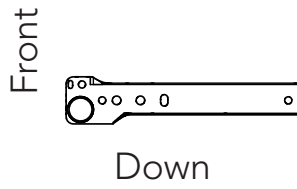
5



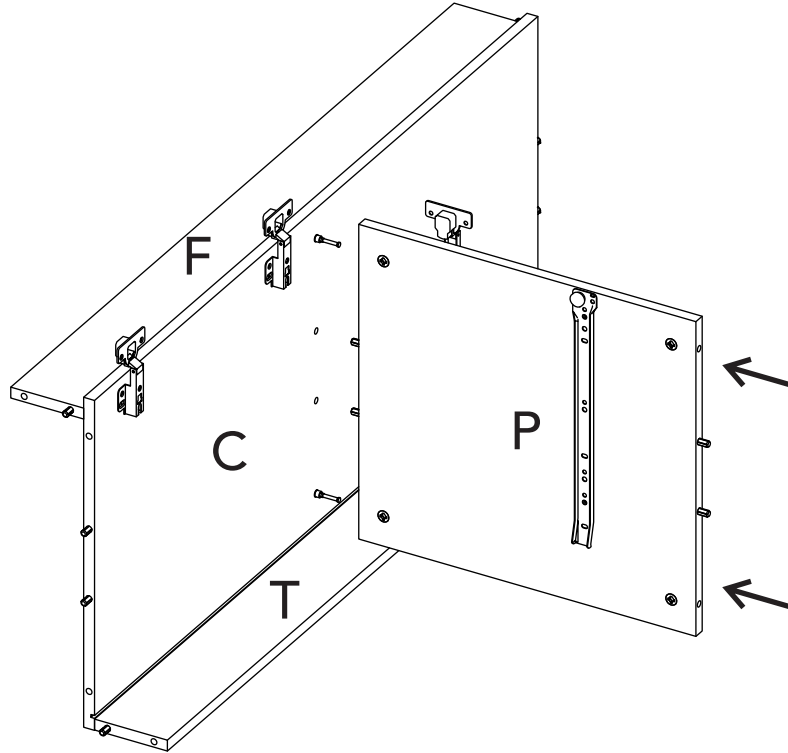
6 Drawer slides installation

(apply for steps 6 and 25)

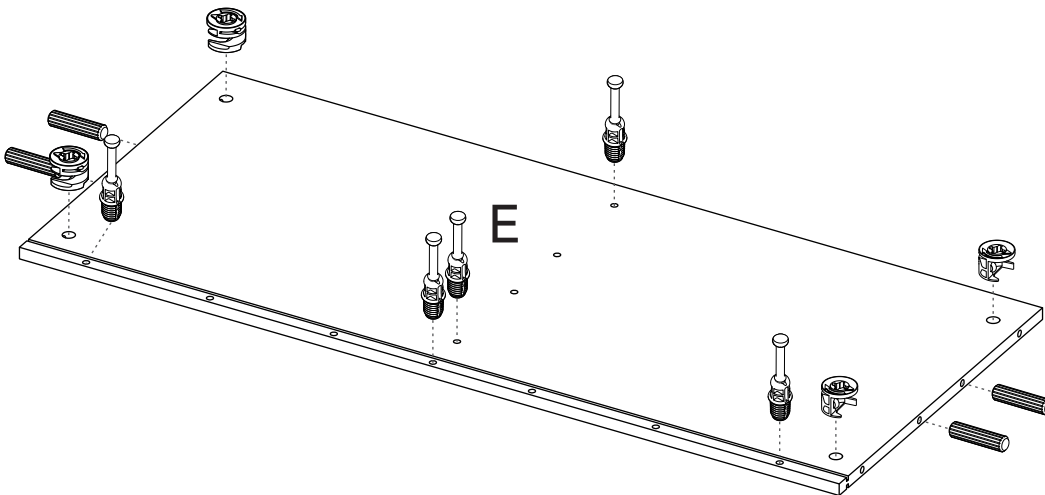
The wheel should go towards the front edge of the panel and facing down, like this:



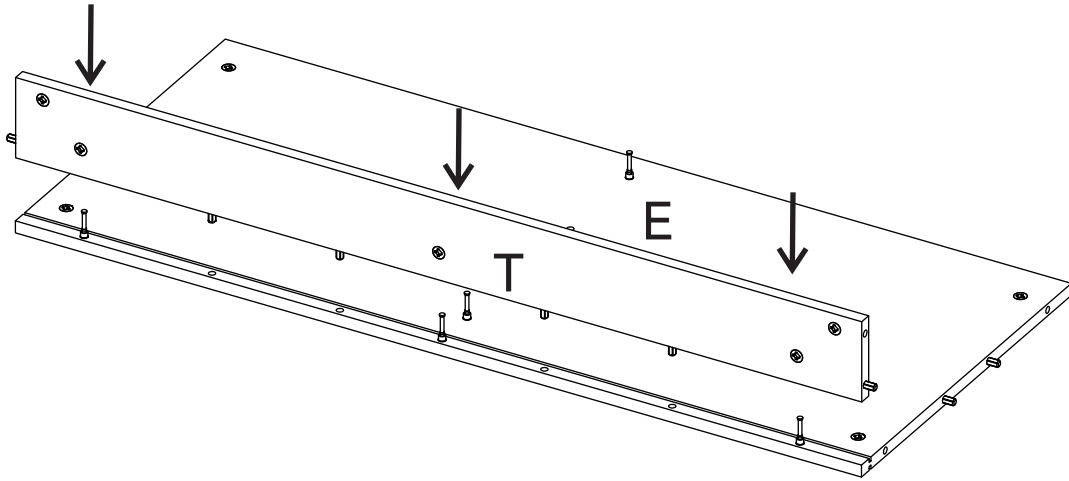
7



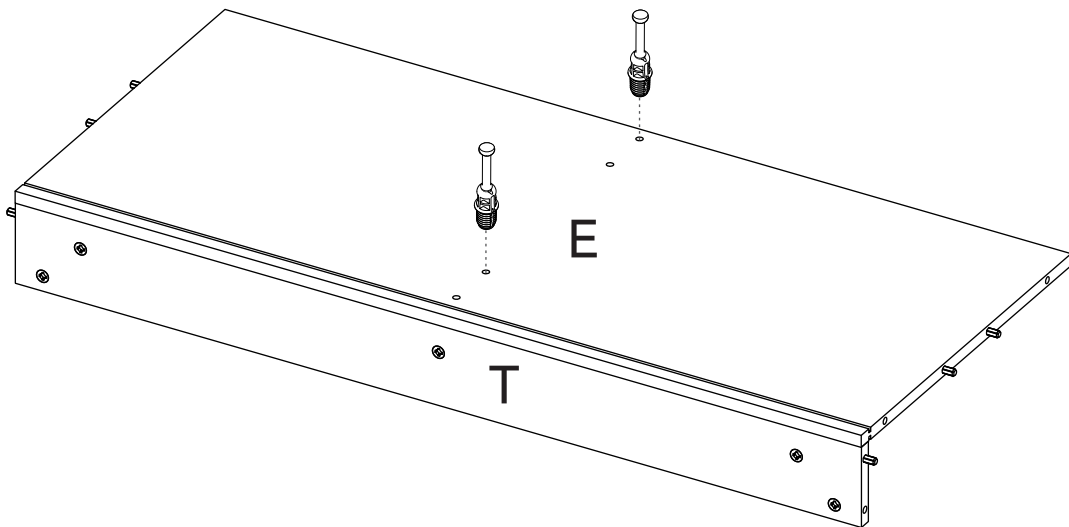
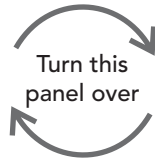
8



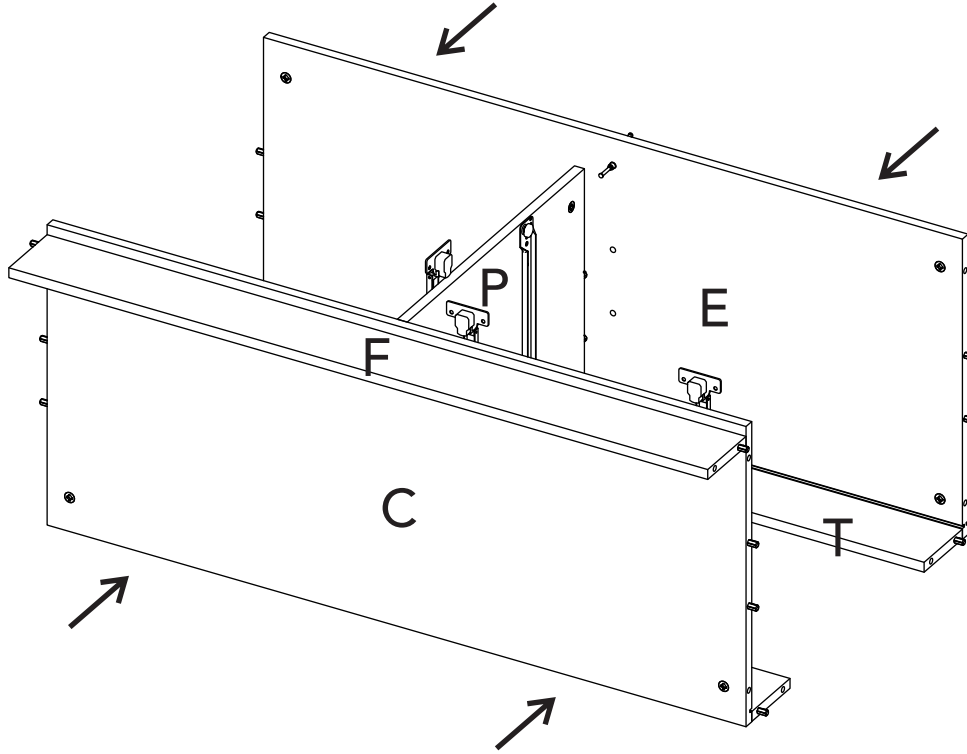
9



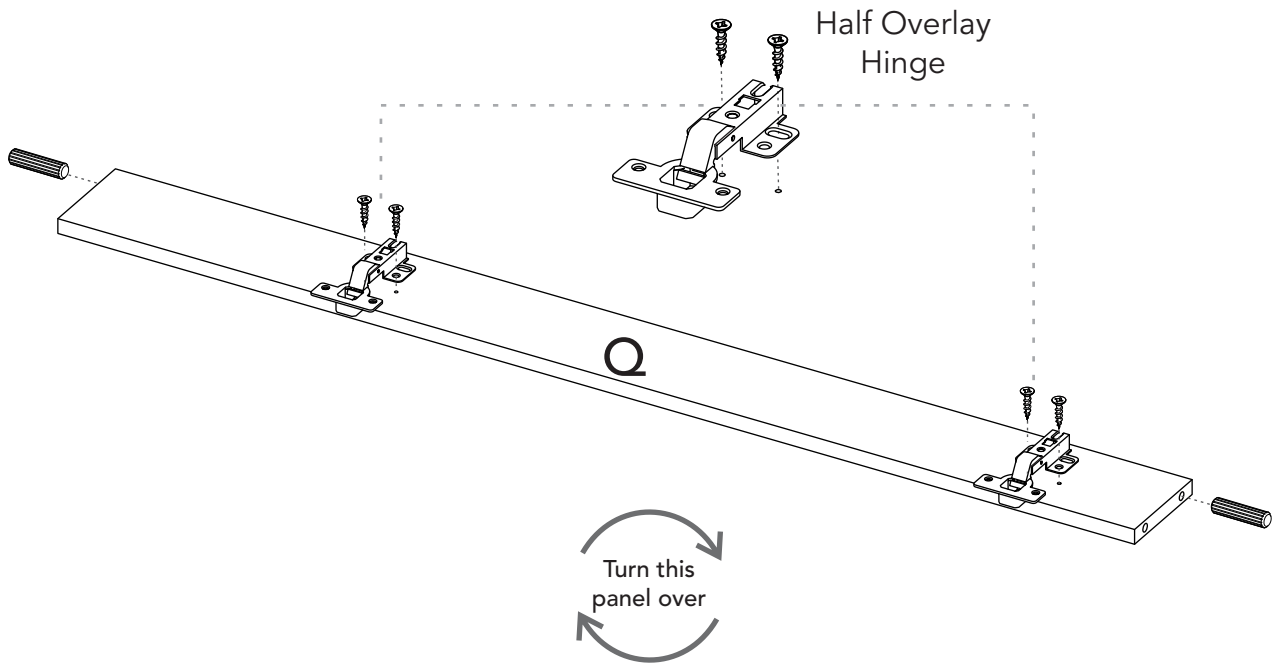
10

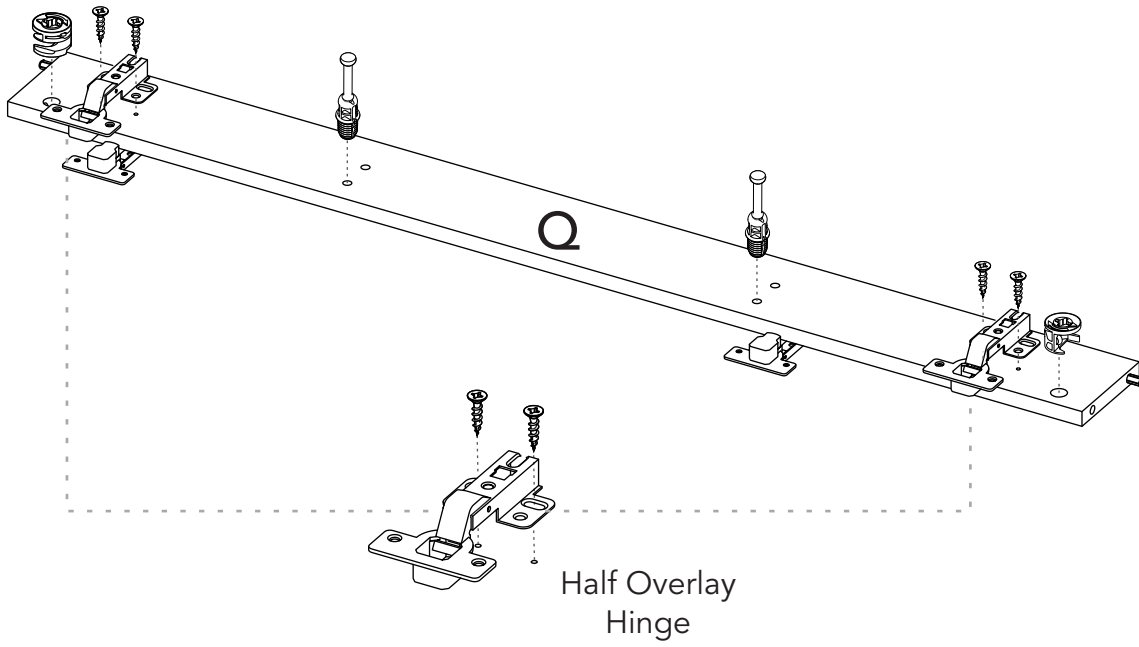


11

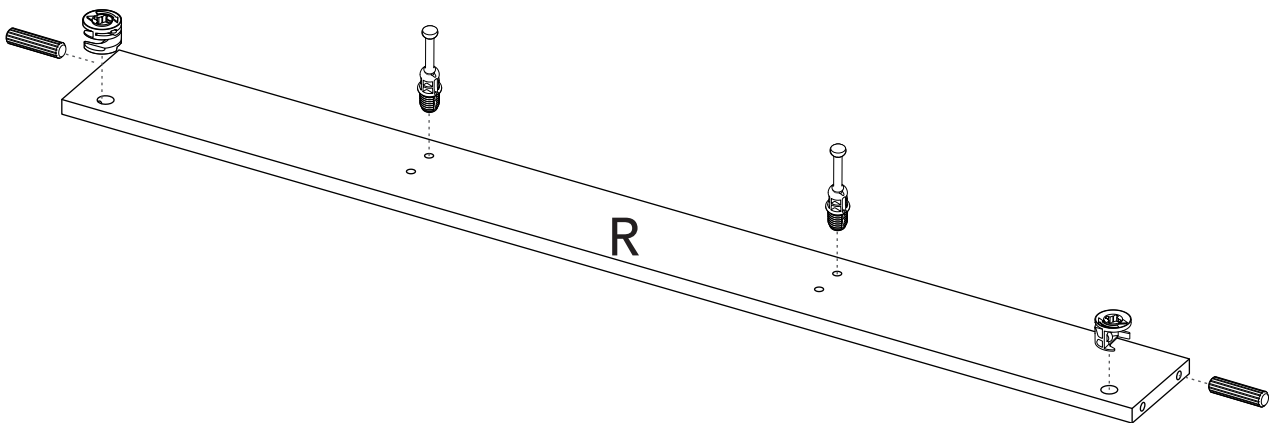


12

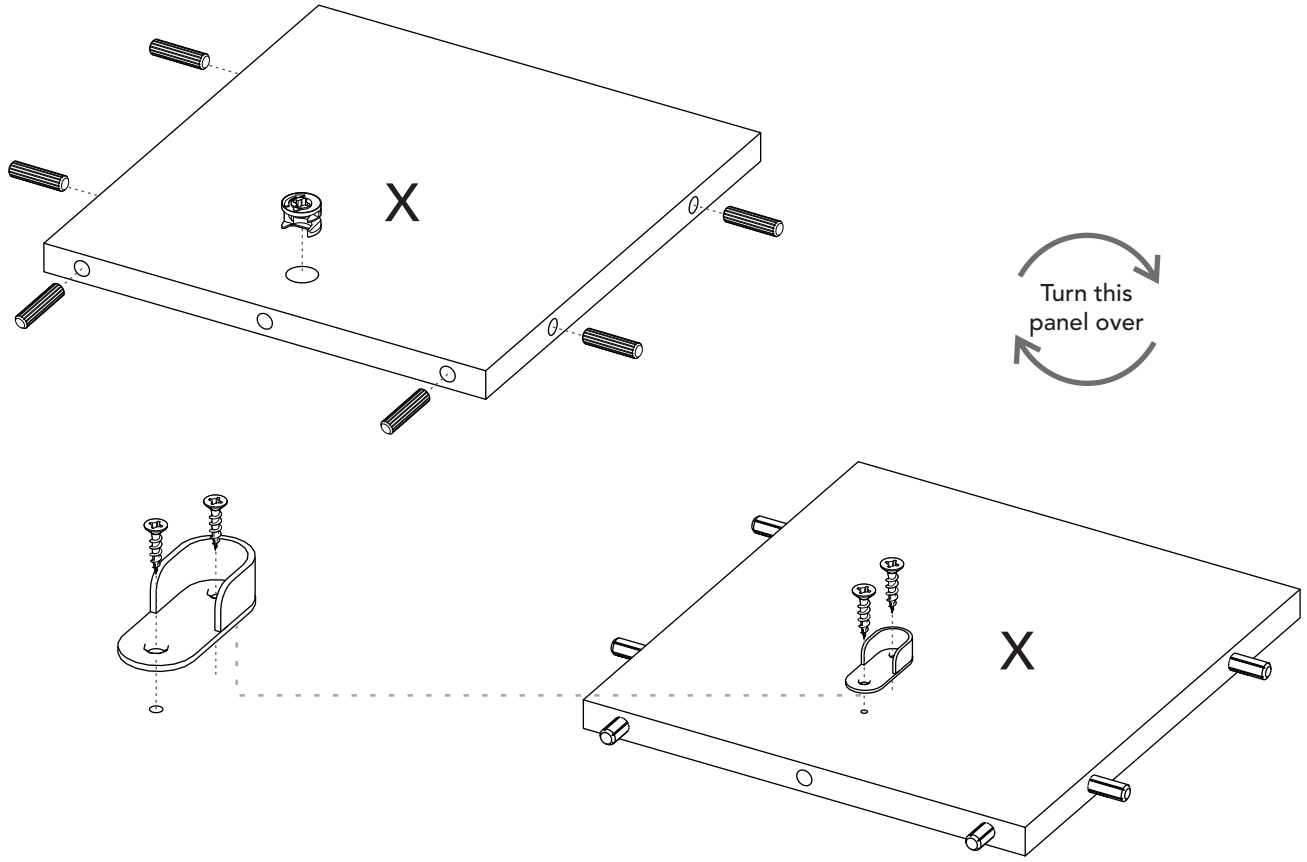




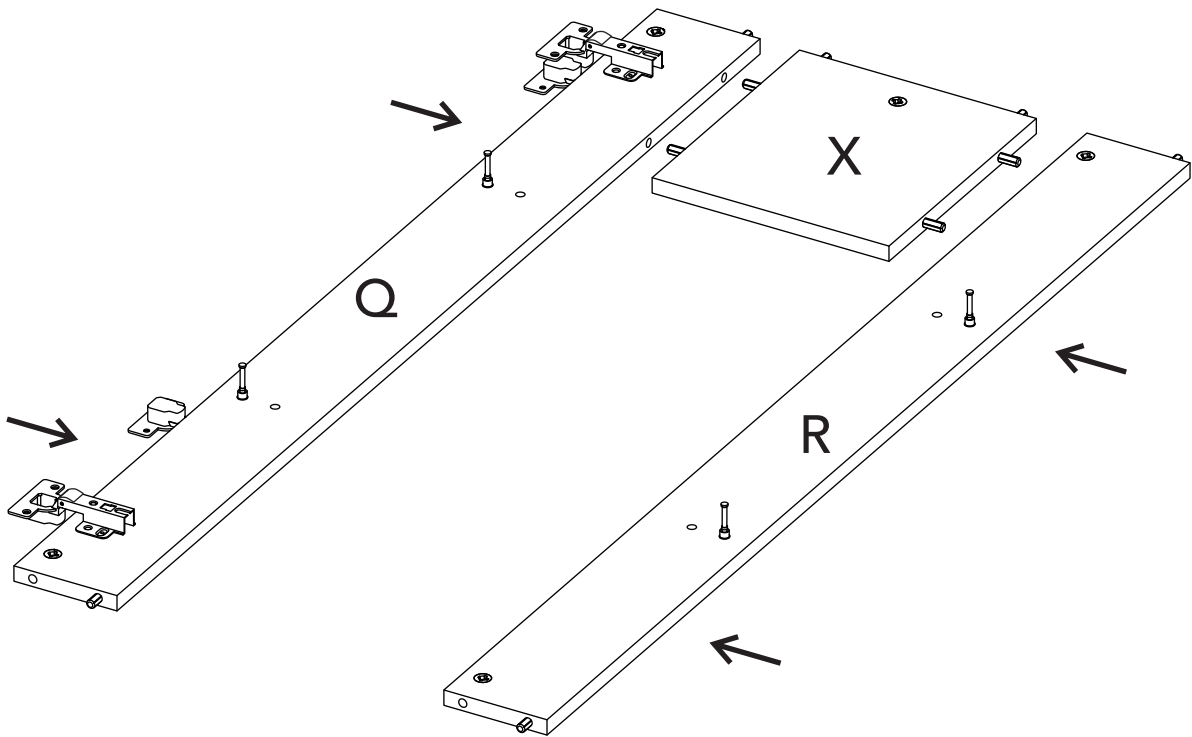
13



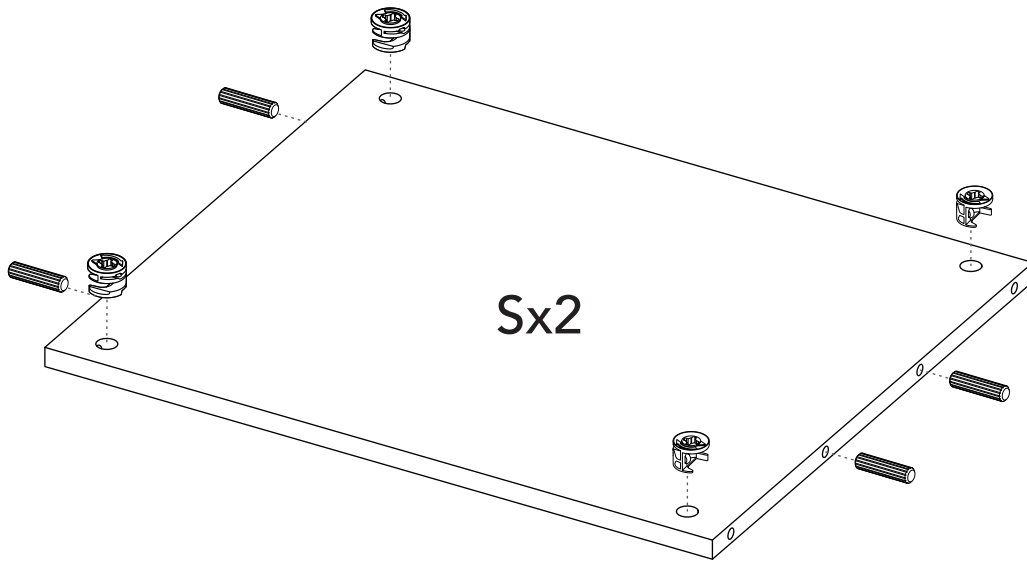
14



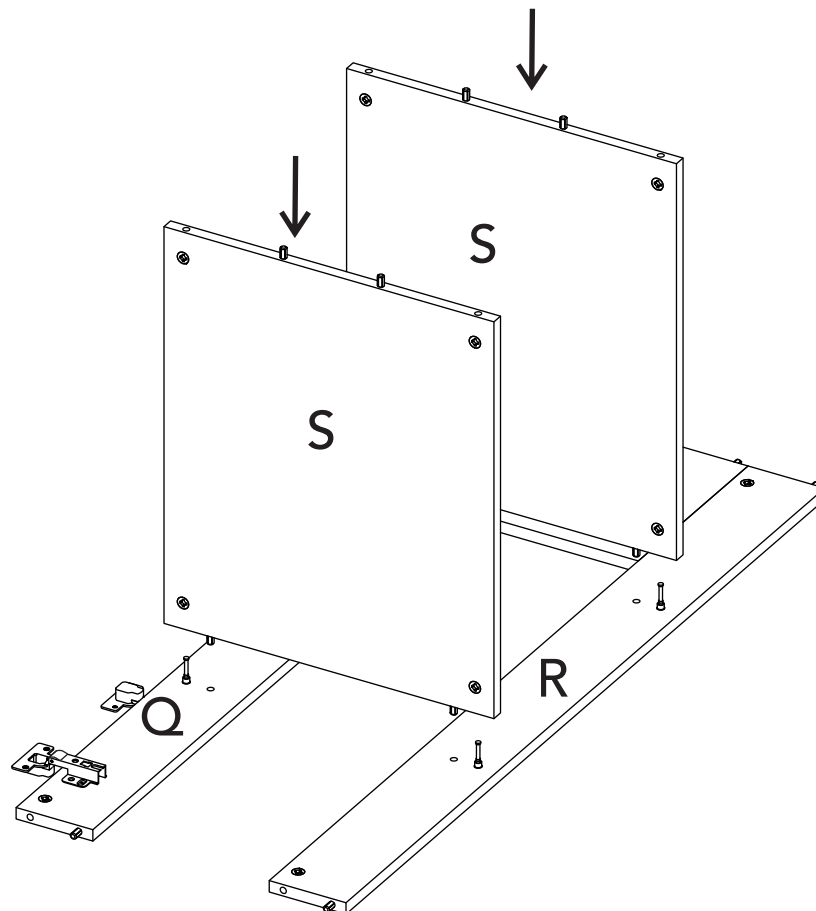
15



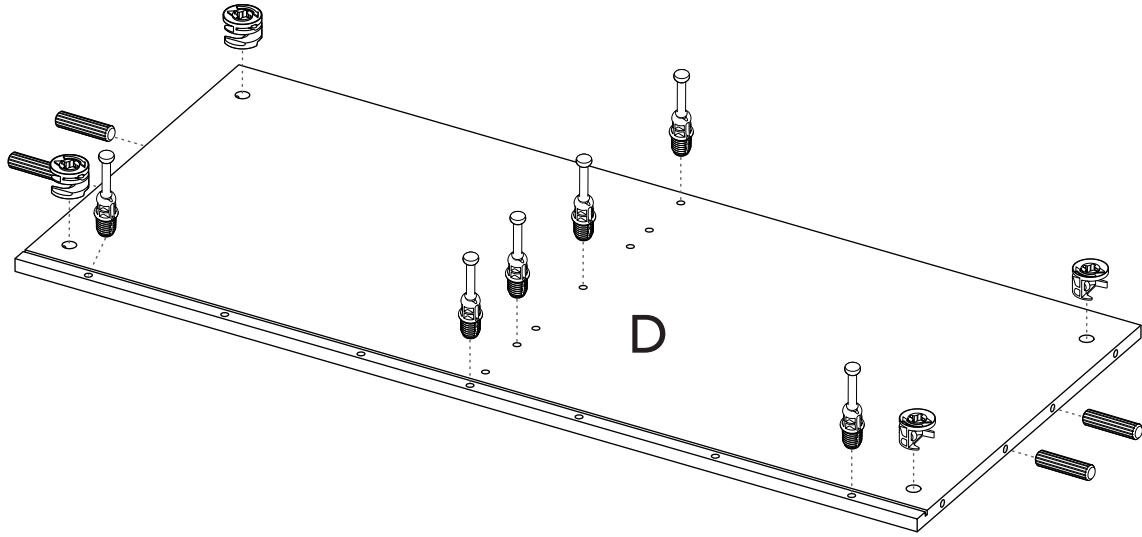
16



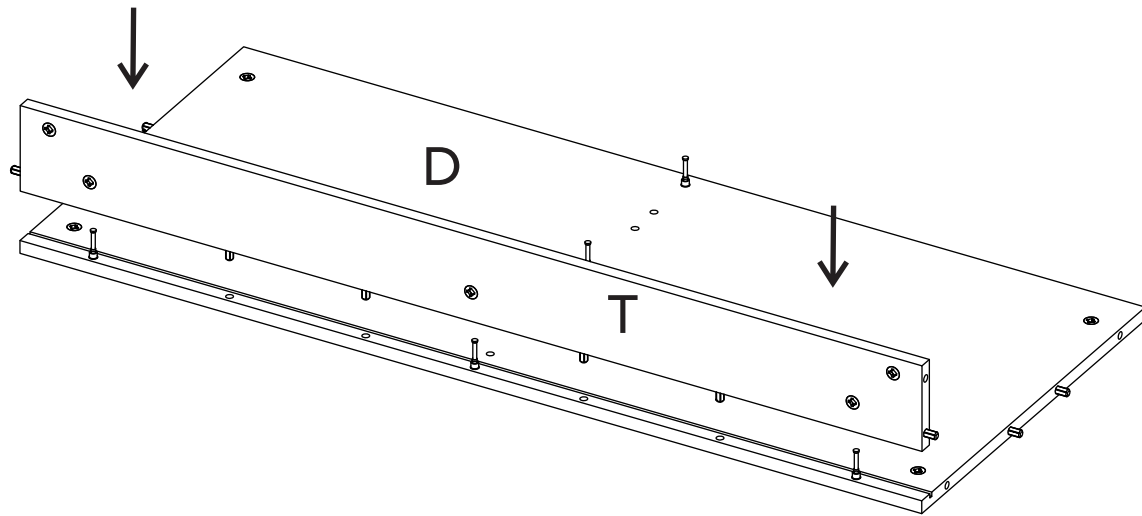
17



18

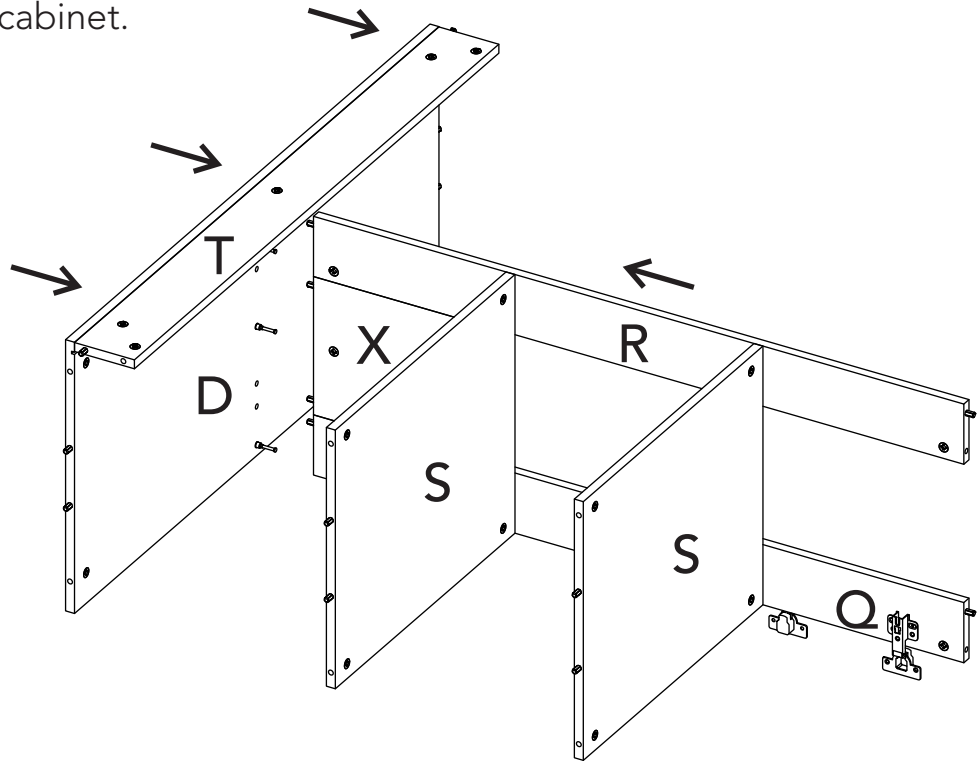


19



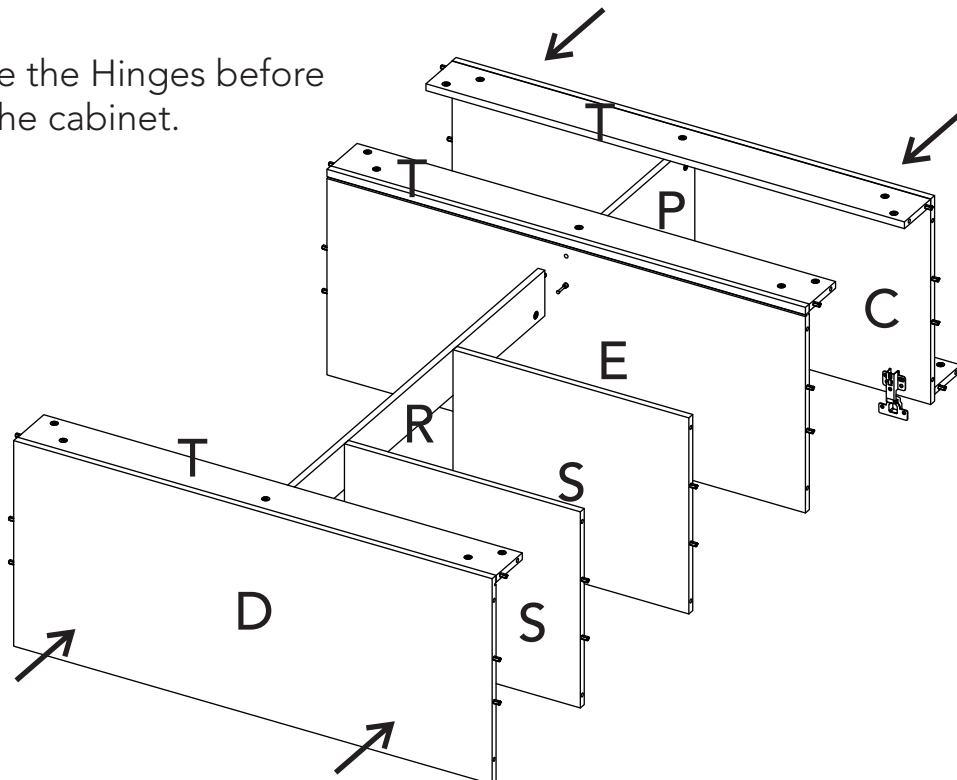
20

Close the Hinges before
flip the cabinet.

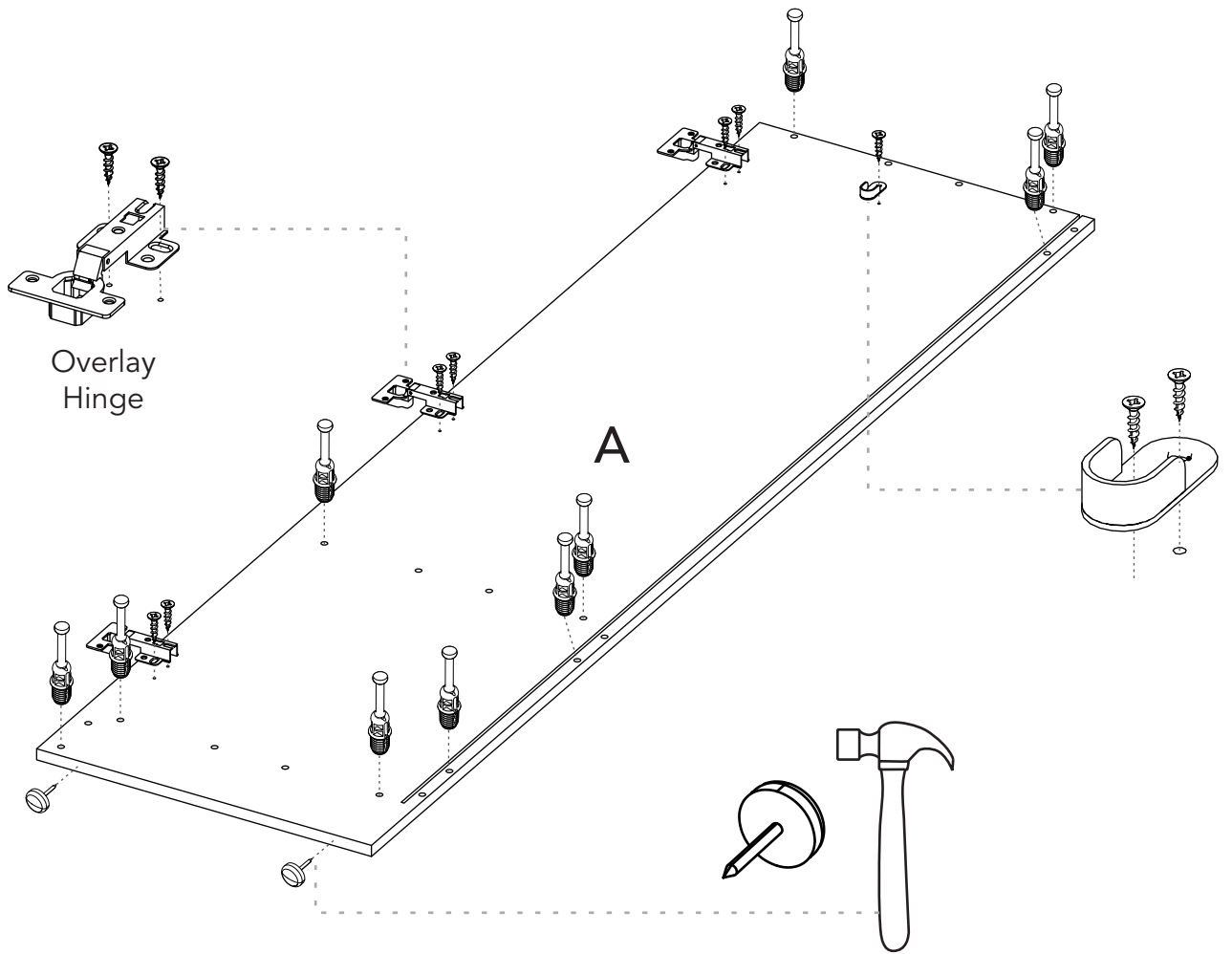


21

Close the Hinges before
flip the cabinet.

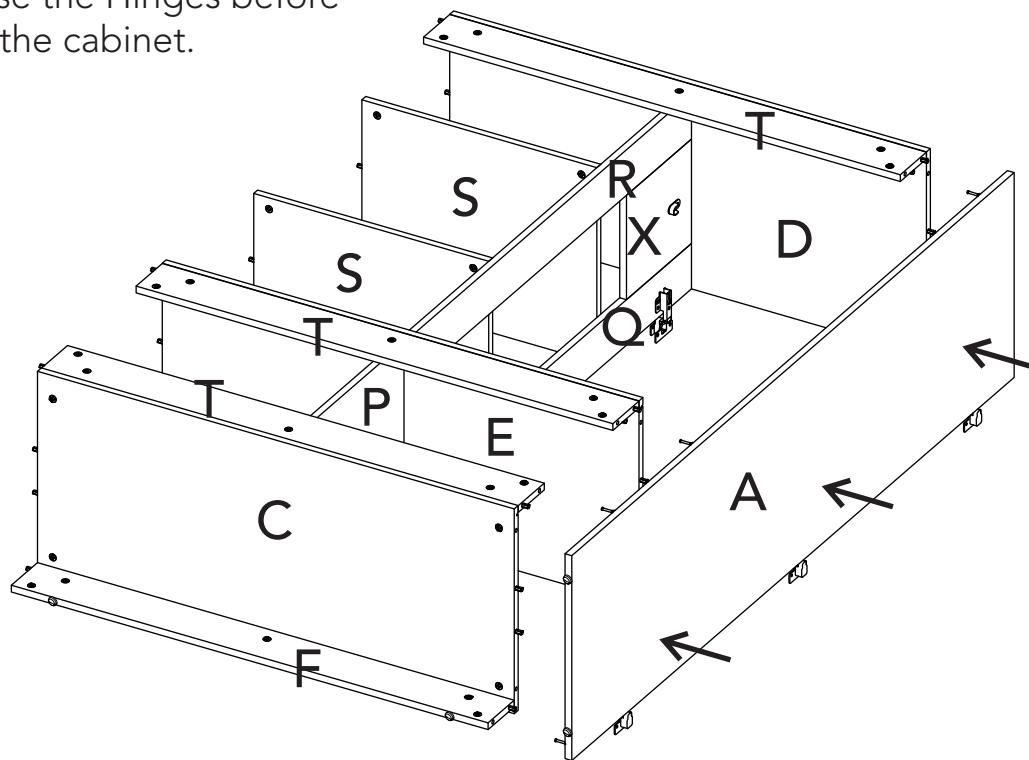


22

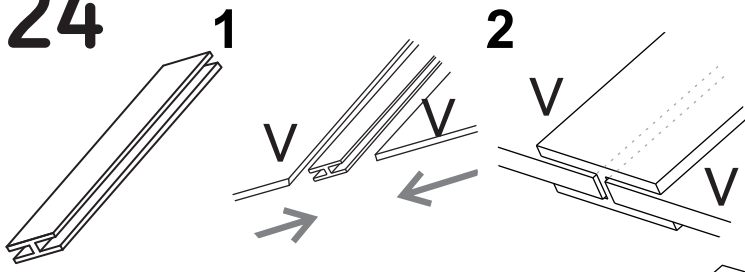


23

Close the Hinges before flip the cabinet.

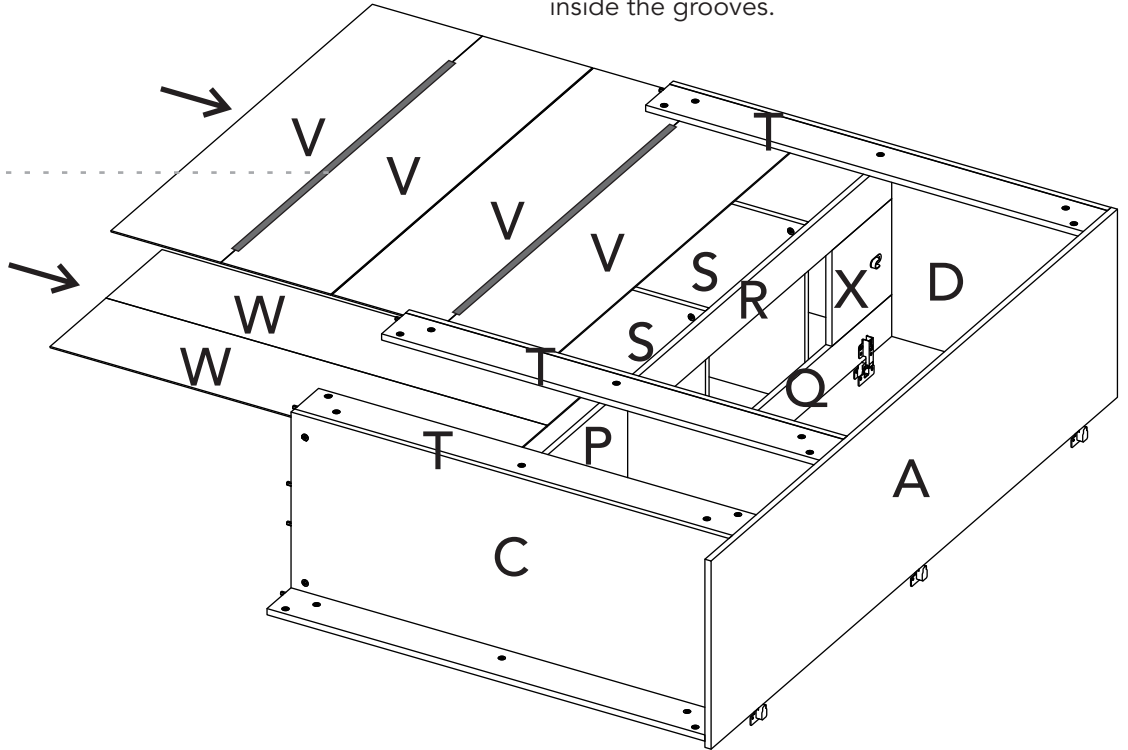


24

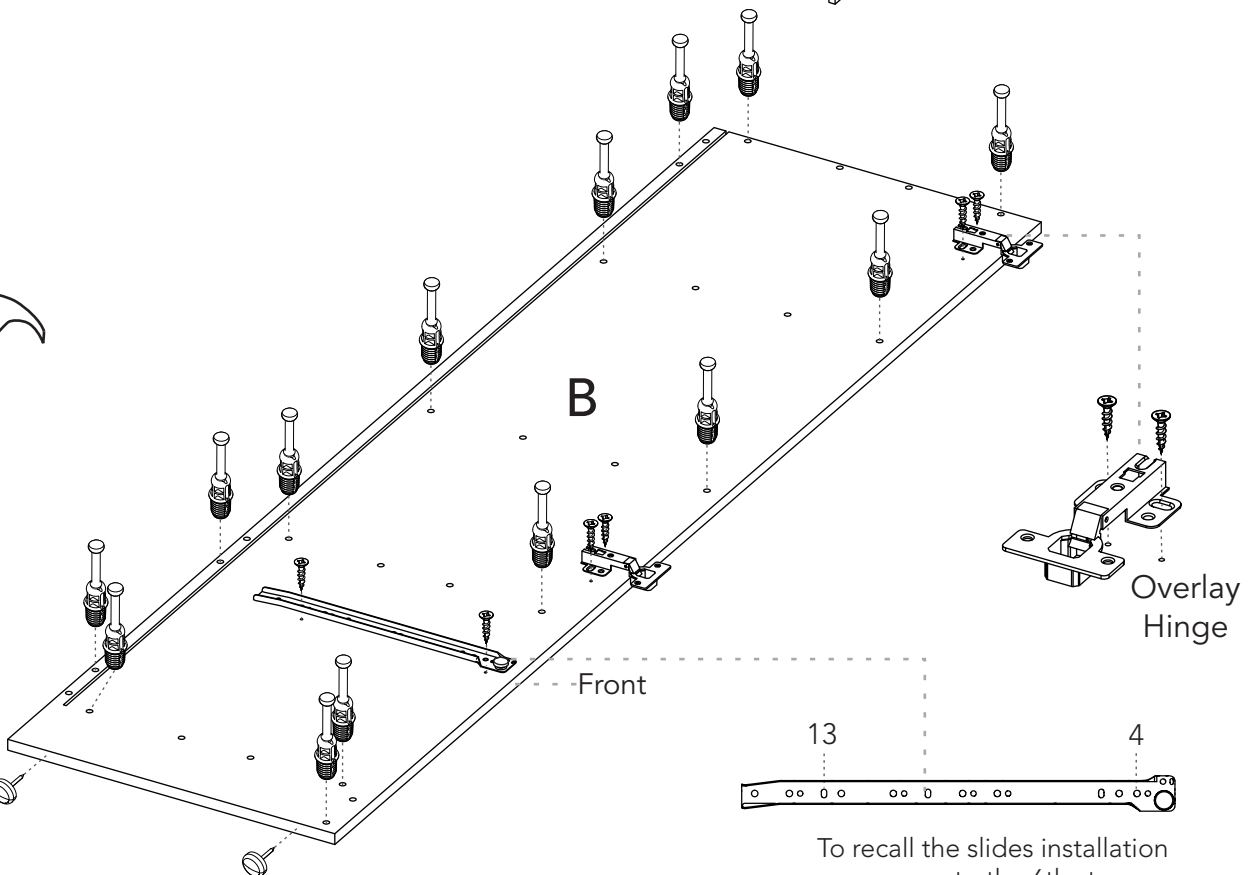


Guide Profile

3 Slide the back panel inside the grooves.

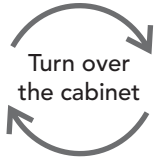


25

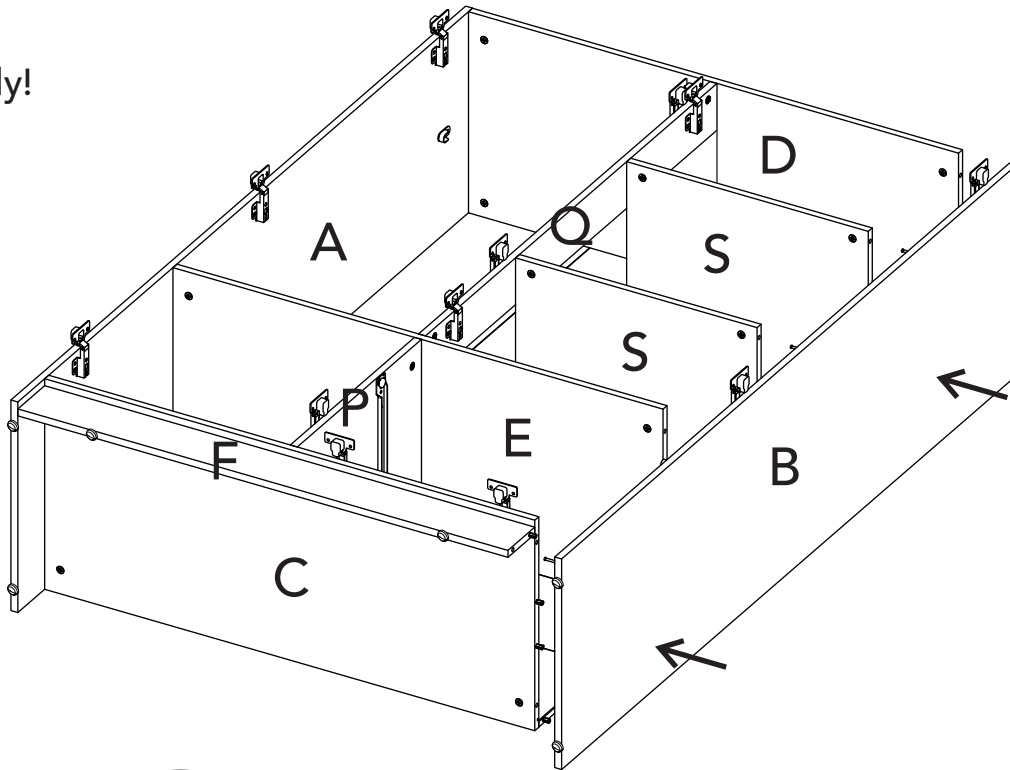


To recall the slides installation you can go to the 6th step again.

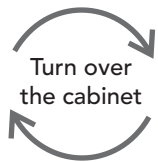
26



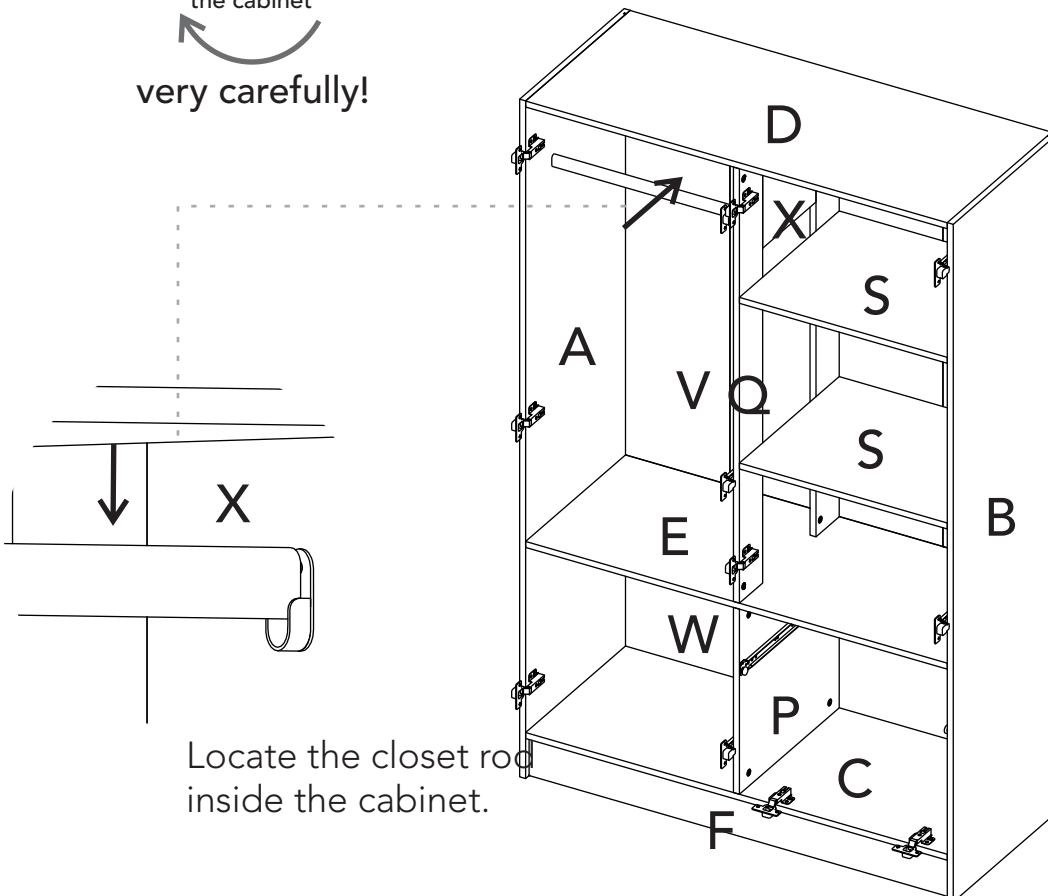
very carefully!



27

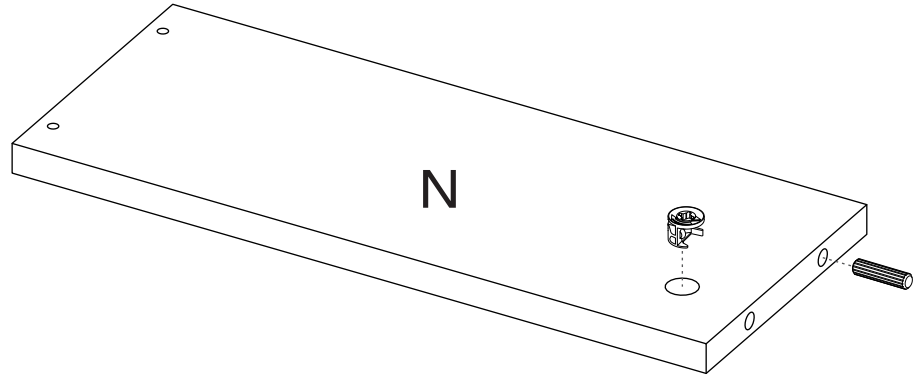


very carefully!

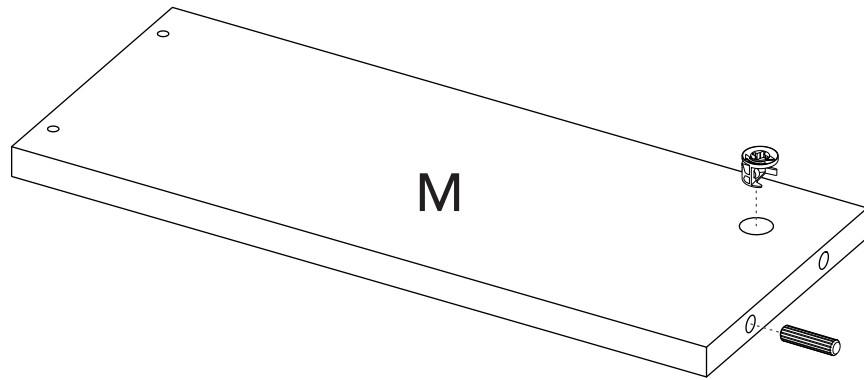


Locate the closet rod inside the cabinet.

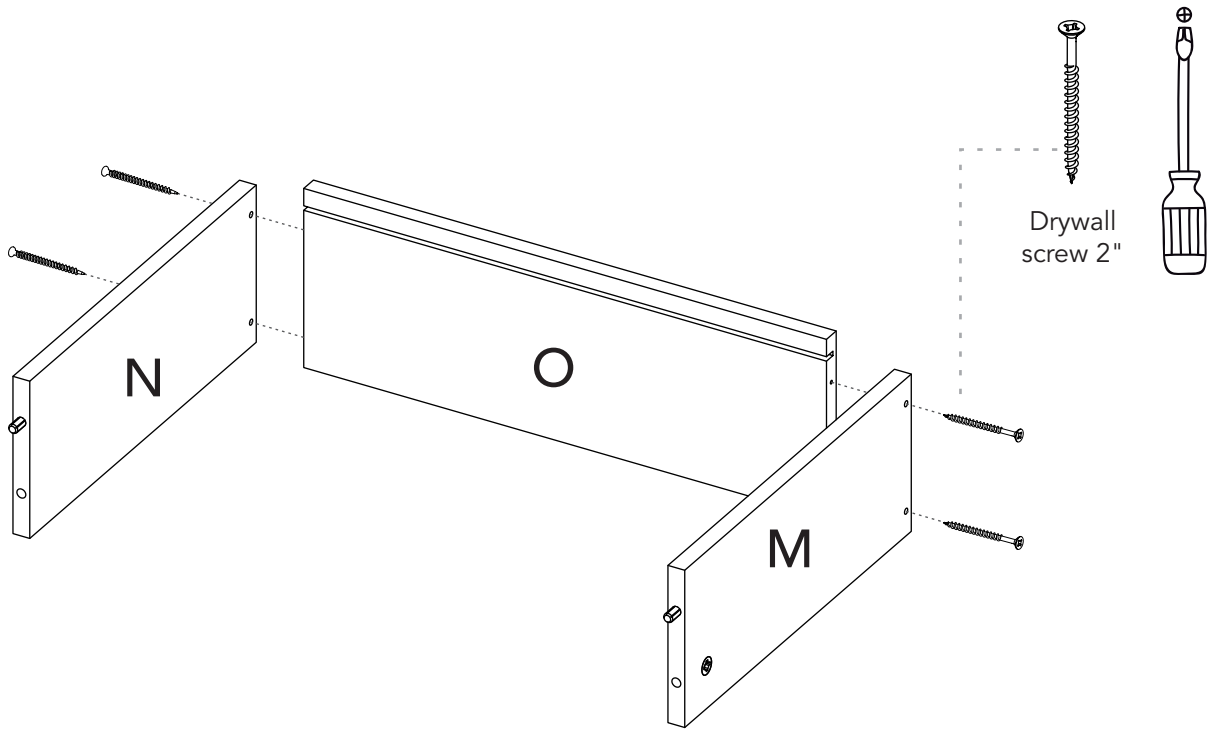
28



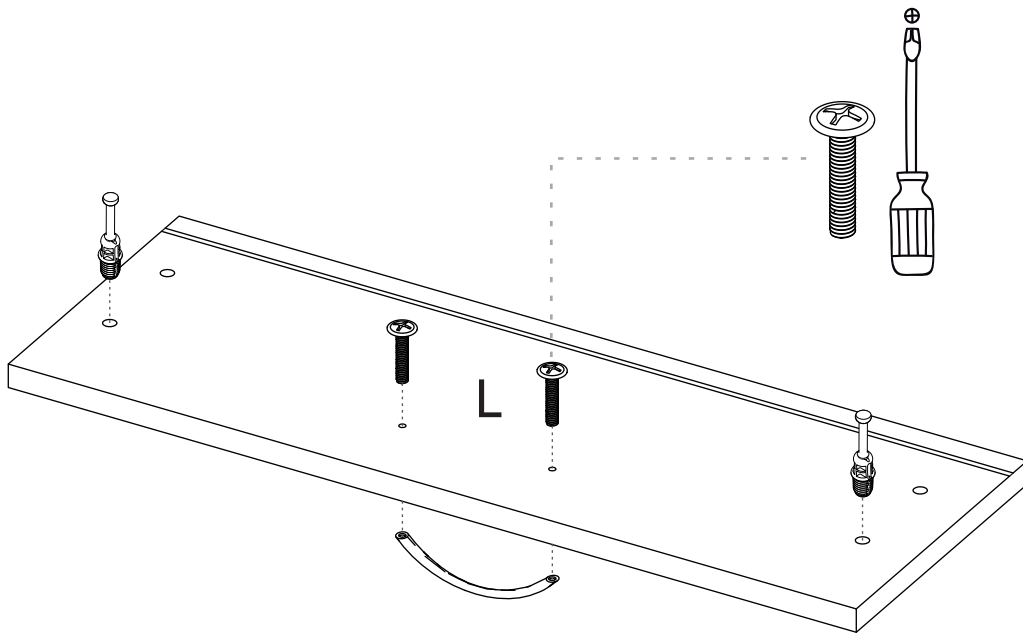
29



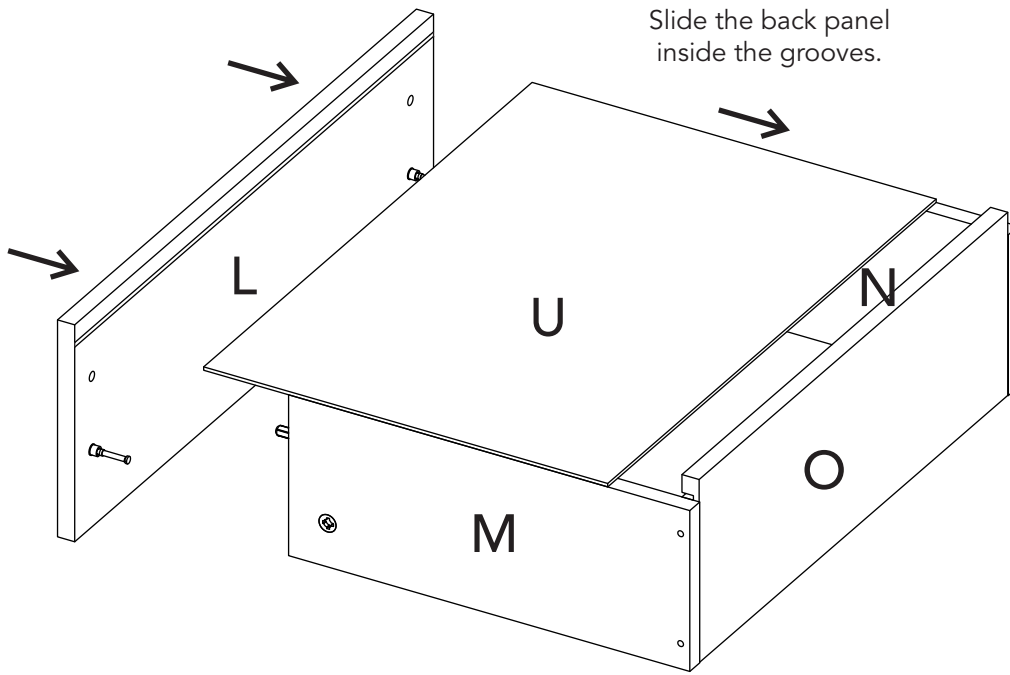
30



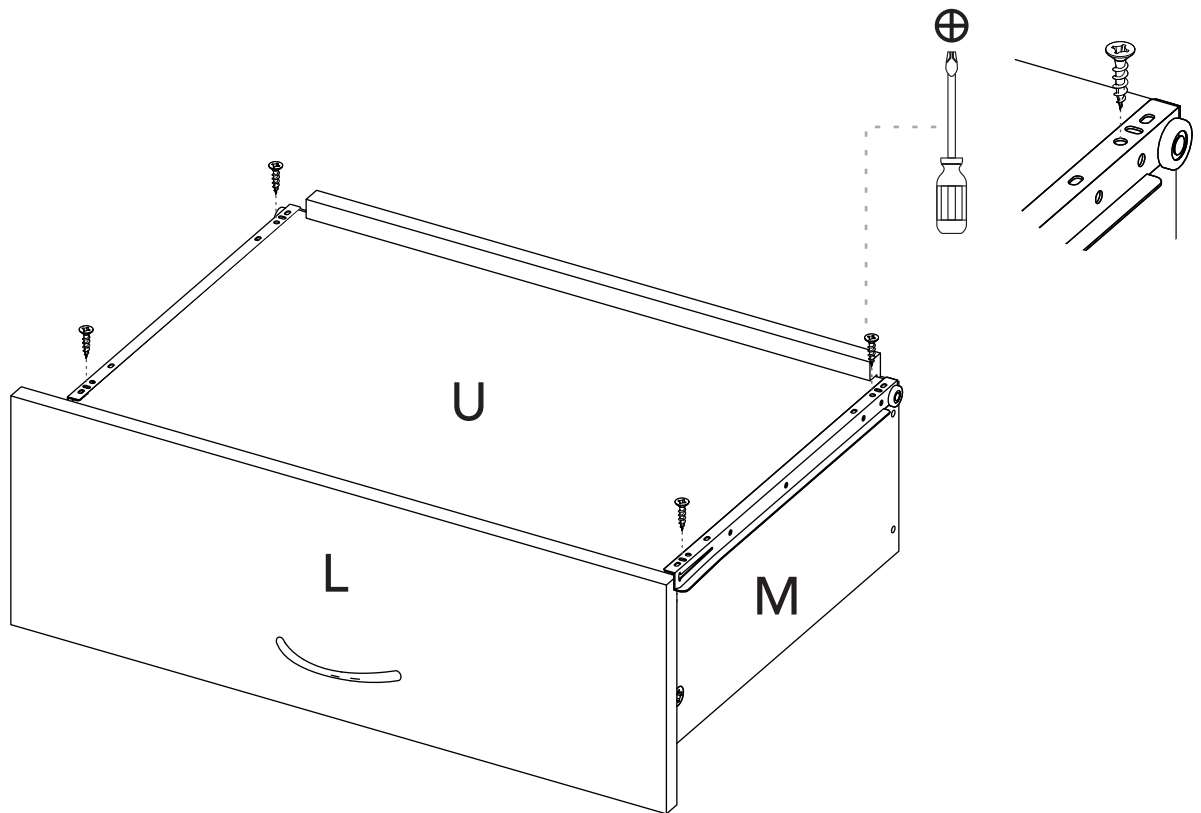
31

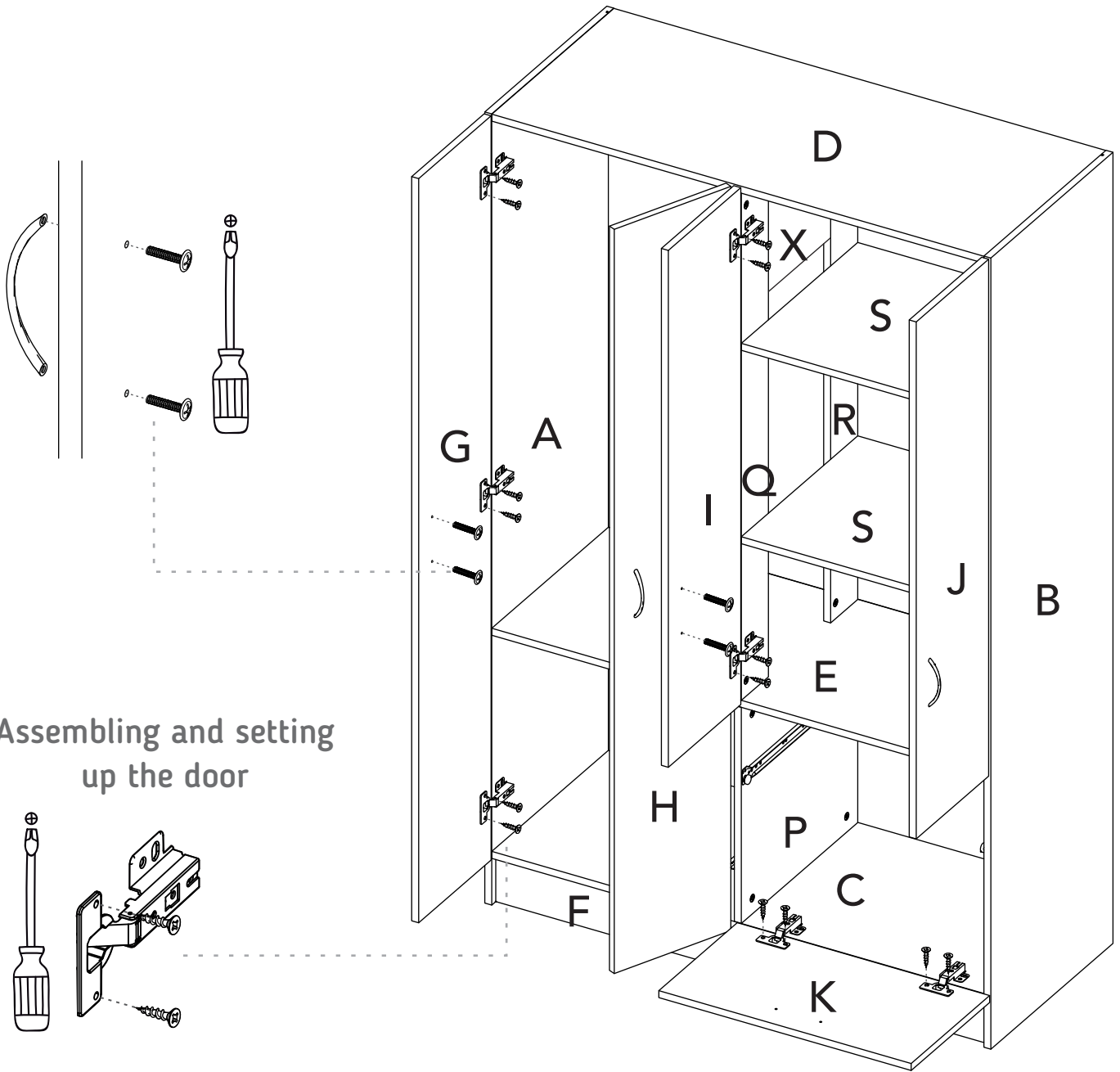


32

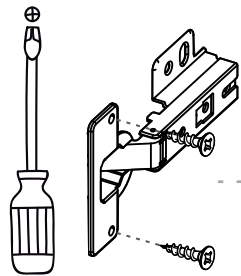


33

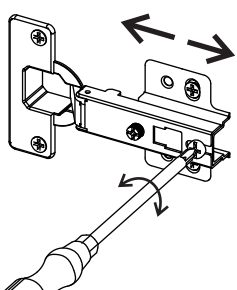




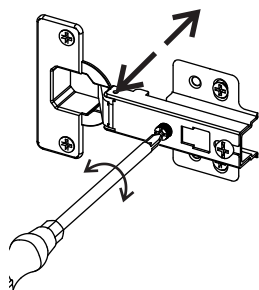
Assembling and setting up the door



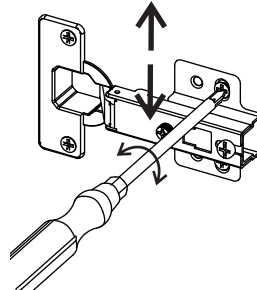
Hinge adjustment



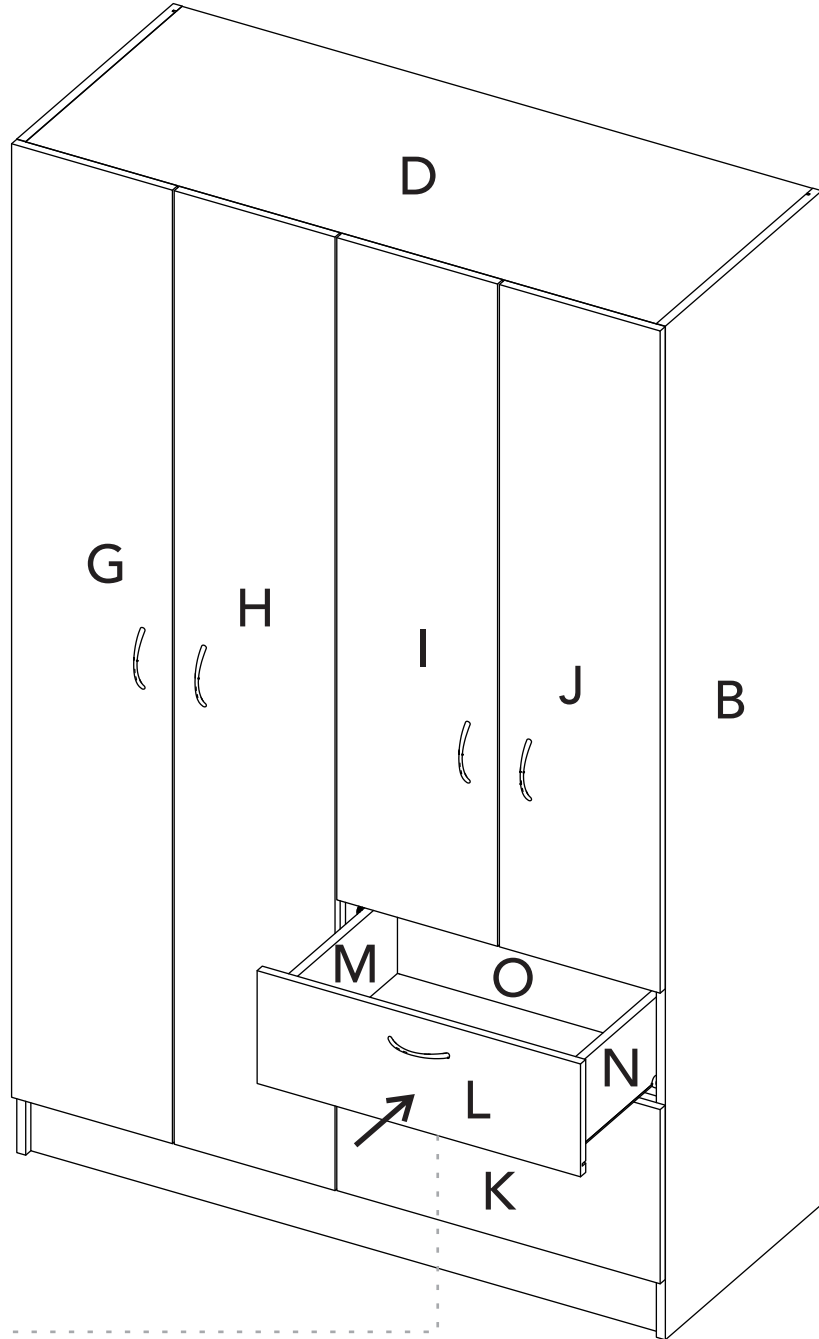
Depth adjustment



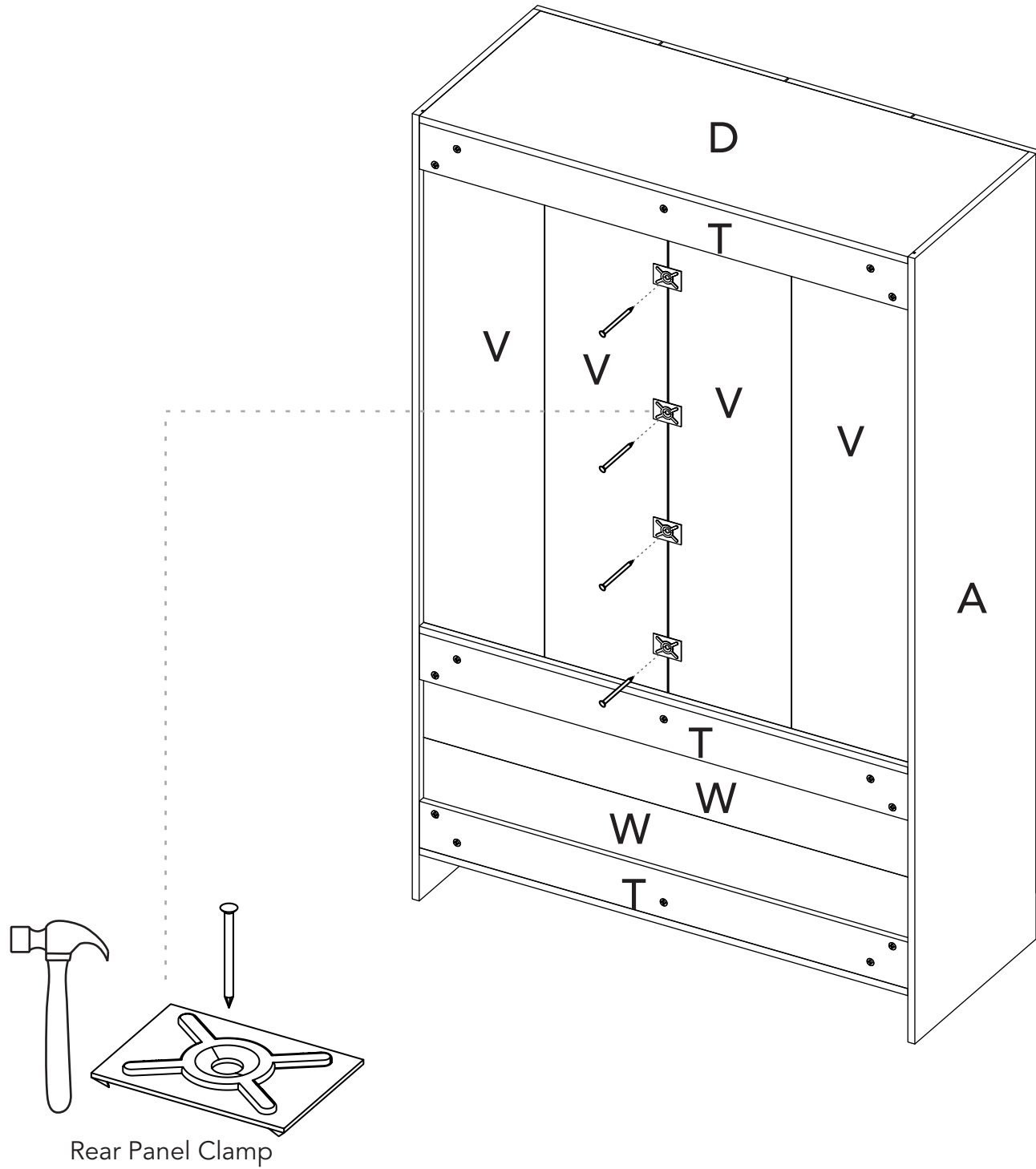
Lateral adjustment



Height adjustment



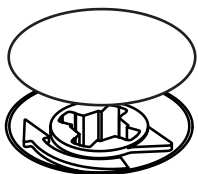
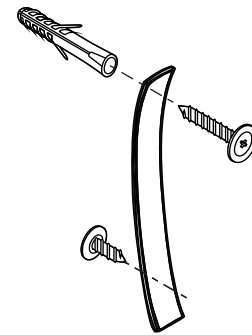
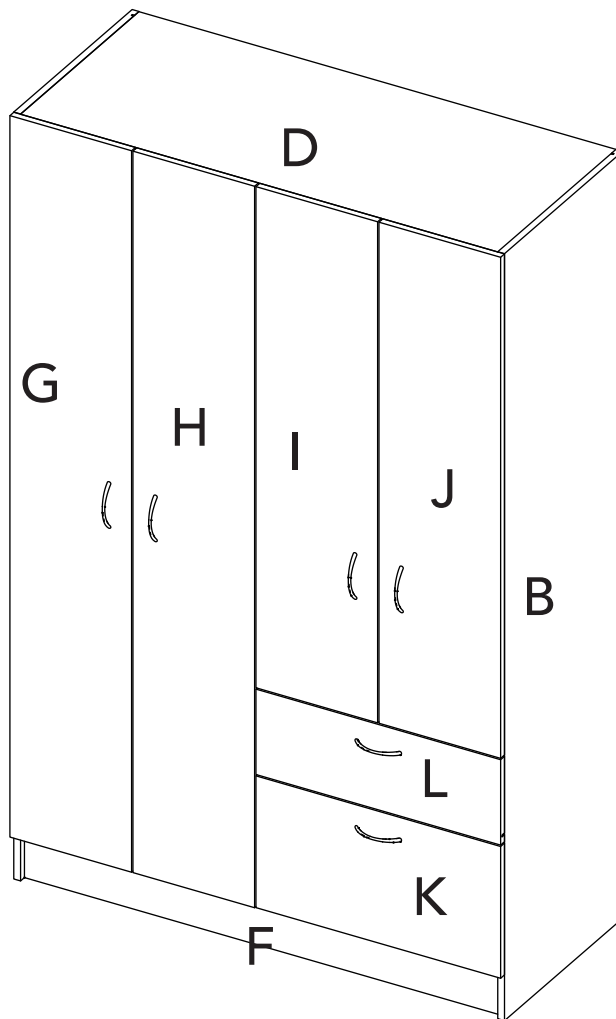
Slide the drawer
inside the cabinet.



37 Fix your cabinet to the wall

- WARNING! TIPPING HAZARD – Unanchored furniture can tip over
- WARNING: CHECK FOR HIDDEN PIPES AND CABLES BEFORE DRILLING.
- IMPORTANT: IF YOUR WALLS ARE NOT SOLID LIKE BRICK OR STONE, YOU WILL REQUIRE SPECIALIST FITTINGS (NOT SUPPLIED)

- Pre-drill small pilot hole on the back edge of the furniture top using a 2mm drill bit. Attach the other end of the fixing strip to the back edge of the furniture top using the 15mm screw + washer and securely tighten.
- Place fixing strip against the wall and mark position for drilling hole.
- Drill hole in your wall to a depth of 30mm using a 6mm drill bit. If the surface of your wall is soft and crumbly, we would advise you to use a 5mm drill bit for a tighter fit.
- Insert plug into hole with end flush to the wall surface.
- Attach fixing strip to the wall using the 25mm screw + washer and securely tighten.

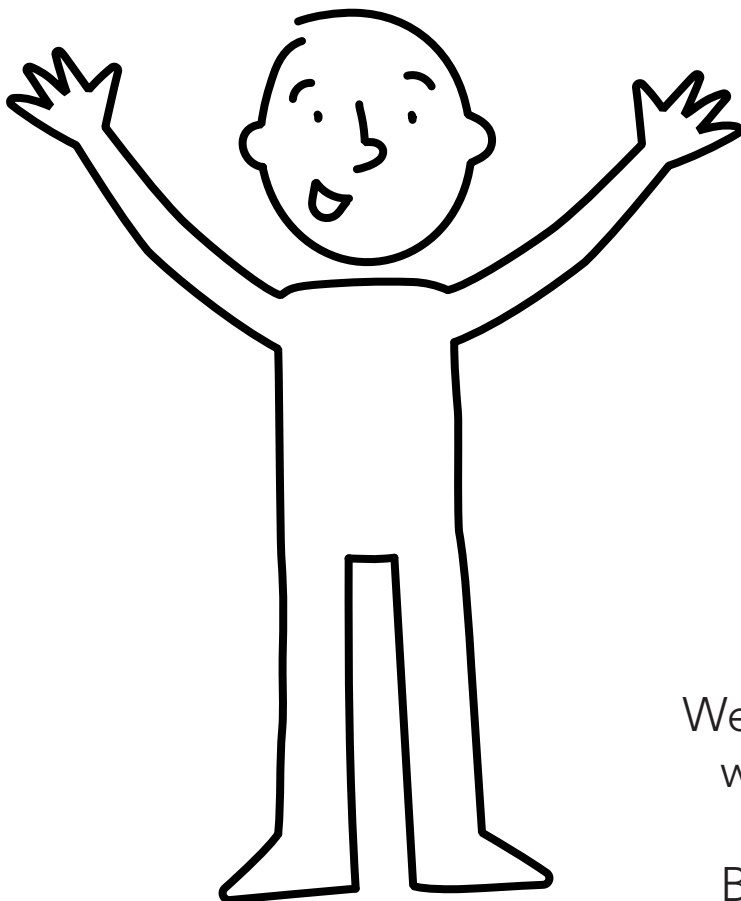


After adjusting all the Minifix cams, cover them up with the cover caps.

A

After finishing the assembly, lift off all the adhesive letters.

How much weight does my cabinet resist?



**Congratulations!
It's done**

But don't go yet!

There are some recommendations left for you to take care of your cabinet correctly from now on.

SUPER IMPORTANT!

We suggest fixing the cabinet to the wall, so we can avoid the cabinet tipping and harming anyone. Be specially careful with the kids.

Taking care of your cabinet:

- Do not paint the cabinet.
- The cabinet is exclusively for indoor spaces. Do not expose it to the direct sun.
- Clean the metallic hardware with a dry cloth.
- DO NOT overload the cabinet (see suggested loads)
- Do not hit or hammer the cabinet (only when indicated here).
- Clean it with thinner, a soft soap solution or simply a damp cloth.
- Don't drag the cabinet, lift it up with other people.
- Avoid direct contact with water, fire or exposing it to high heat.

Cabinet panels

