



Height: 68,03 in

Alto: 172,8 cm

Width: 46,9 in

Ancho: 119,2 cm

Depth: 18,5 in

Fondo: 47 cm

LOT N°

REF./SKU. CLW5948

**IF ANY PARTS ARE BROKEN OR
MISSING PLEASE CONTACT US**

AT: 1-888-391-01-66 /

customerservicetuhome@rta.com.co

**OUR CUSTOMER SERVICE TEAM WILL PROVIDE
YOU HELP TO RESOLVE ANY ISSUES IMMEDIATELY**

DENVER MOBILE ARMOIRE
CLOSET DENVER



IMPORTANT RECOMMENDATIONS

Do not paint the cabinet.

The cabinet **MUST** be used exclusively indoors, do not expose to direct sun.

Clean metallic hardware with a dry cloth.

Do **NOT** overload the cabinet (see suggested loads).

Do not hit or hammer the cabinet (just when indicated).

Clean with a slightly damp cloth, use gentle soaps.

Do not drag, lift and move between two people.

Avoid direct contact with water, fire or exposure to heat sources.

RECOMENDACIONES IMPORTANTES

No pintar el mueble.

El mueble debe ser usado únicamente en interiores, no exponer al sol directo.

Limpiar los herrajes metálicos con un paño seco.

NO sobrecargar el mueble (ver las cargas sugeridas).

No golpear ni martillar el mueble (solo cuando se indique).

Limpiar con un paño ligeramente húmedo, usar jabones suaves.

No arrastre el mueble, levántelo entre dos personas.

Evite el contacto directo con el agua, el fuego o la exposición a fuentes de calor.



WARNING

Never allow children to climb or manipulate the cabinet, furniture tip over can cause serious injuries or death.



ADVERTENCIA

Nunca permita que los niños escalen o manipulen el mueble, la caída de este puede provocar lesiones graves o la muerte.

INDEX

ÍNDICE

Assembly Hardware	4-5	Herrajes para Armado.....	4-5
Assembly Parts	6	Piezas de Armado.....	6
Suggested Loads.....	7	Cargas Sugeridas.....	7
Assembly Recommendations.....	7	Recomendaciones de Ensamble.....	7
Assembly Steps	8-26	Pasos de Armado.....	8-26
Warranty.....	27	Garantía	27

REQUIRED TOOLS*

HERRAMIENTAS NECESARIAS*



*Not included, and not shown actual size.

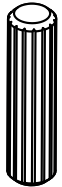
*No incluidas y no se muestran en tamaño real.

ASSEMBLY HARDWARE

Please check that the hardware content is correct. If any item is missing, please call to our customer service line.

HERRAJES PARA ARMADO

Compruebe que el contenido de los herrajes sea el correcto. En caso de que falte alguna pieza, por favor llame a nuestra línea de atención al cliente.



x52

Wood Dowel
Tarugo



x52

Spreading Bolt
Perno Minifix



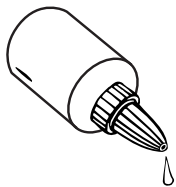
x52

Minifix Cams
Minifix



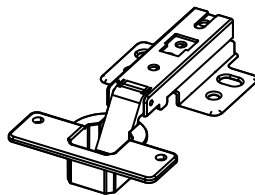
x52

Cover Caps
Tapa Adhesiva
Minifix



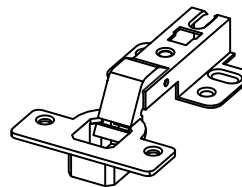
x2

Glue
Pegante



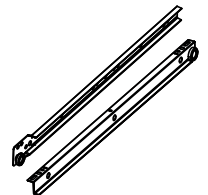
x5

Full Overlay Hinge
(Screws Included)
Bisagra Parche
(Incluye tornillos)



x5

Half Overlay Hinge
(Screws Included)
Bisagra Semi Parche
(Incluye tornillos)



x3

Drawer Slides
(Screws Included)
Riel
(Incluye tornillos)



x38

Flat Head Screw
Tornillo Lámina



x7

Handle
Manija



x14

Handle Screw
Tornillo Manija



x12

2" Drywall Screw
Tornillo de
Ensamble 2"

Hardware items are NOT shown actual size.

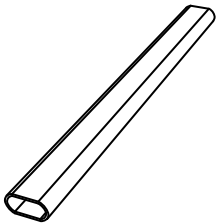
Los herrajes no se muestran en el tamaño real.

ASSEMBLY HARDWARE

Please check that the hardware content is correct. If any item is missing, please call to our customer service line.

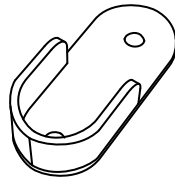
HERRAJES PARA ARMADO

Compruebe que el contenido de los herrajes sea el correcto. En caso de que falte alguna pieza, por favor llame a nuestra línea de atención al cliente.



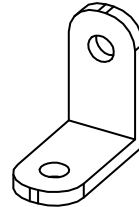
x2

Closet Rod
Tubo Ovalado



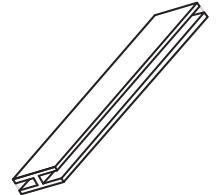
x4

Rod Support
Soporte Tubo



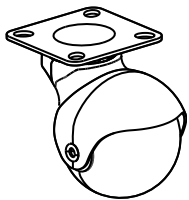
x2

Wide Brace
Cantонера



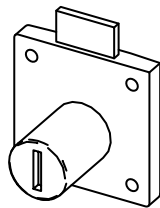
x2

Guide Profile
Perfil H



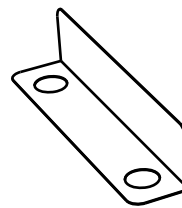
x6

Wheel Castors
Rodachina Bola
Maciza



x1

Lock With Key
(Screws Included)
Cerradura de Incrustar
(Incluye tornillos)



x1

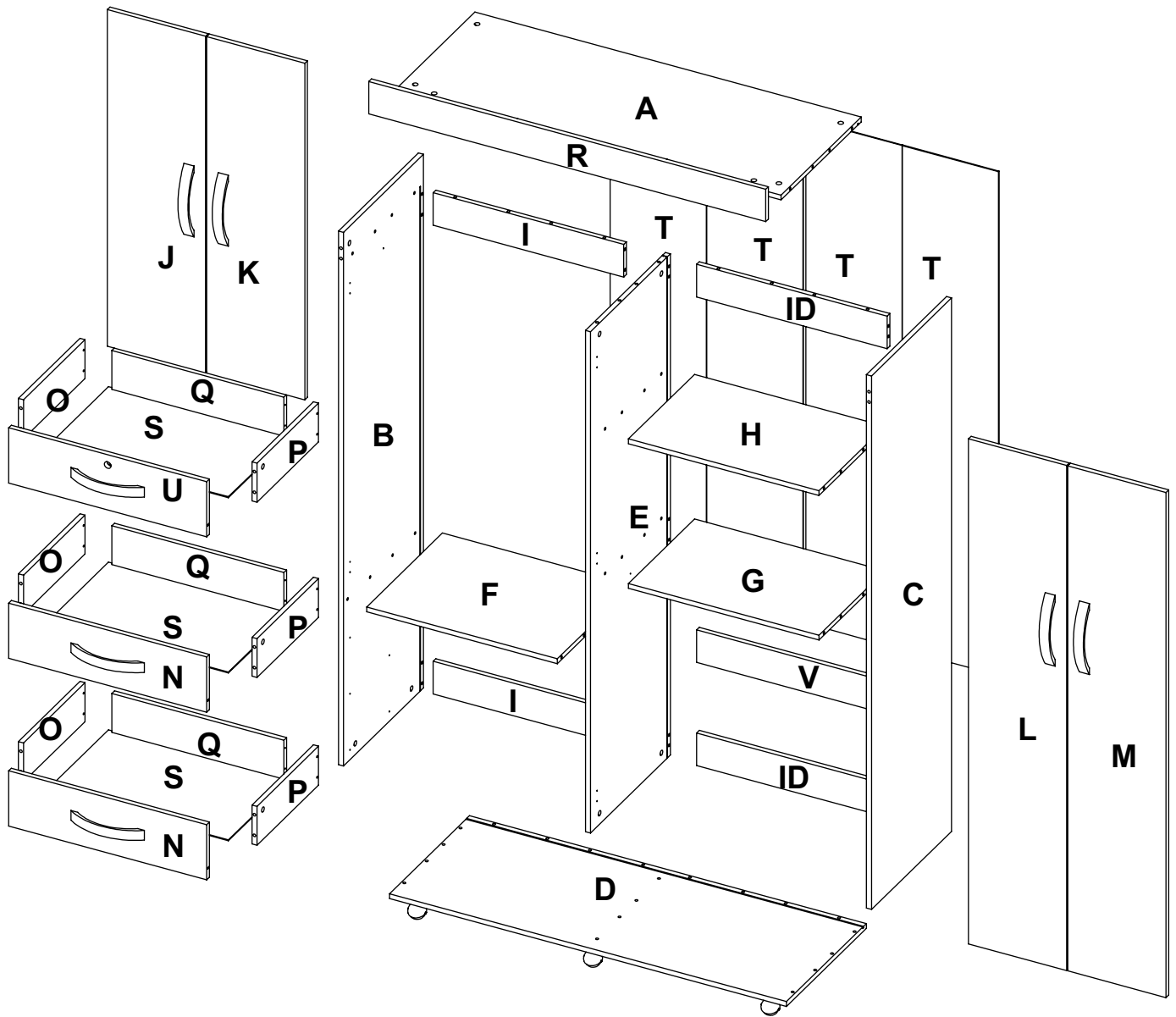
Lock Brace
Platina Cerradura

Hardware items are NOT shown actual size.

Los herrajes no se muestran en el tamaño real.

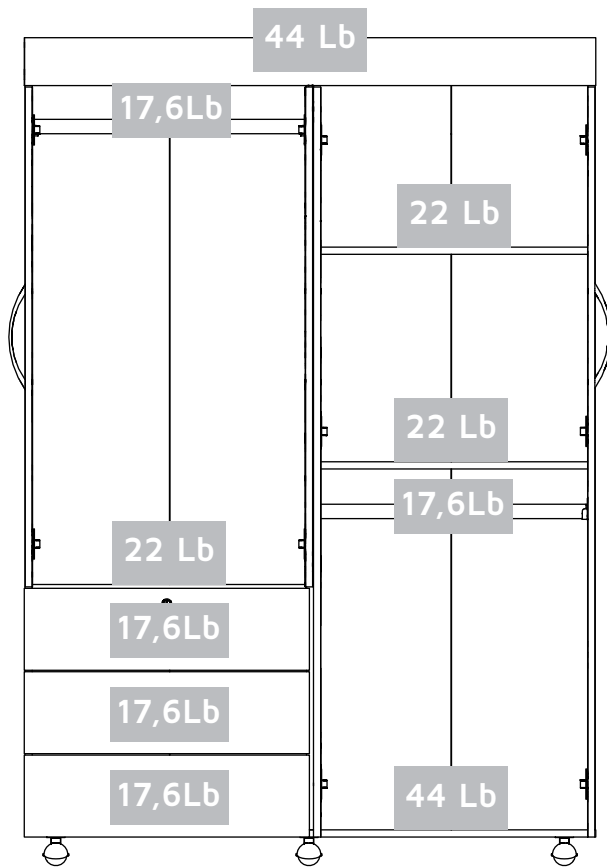
ASSEMBLY PARTS

PIEZAS DE ARMADO



A - x1	E - x1	ID - x2	L - x1	P - x3	T - x4
B - x1	F - x1	I - x2	M - x1	Q - x3	U - x1
C - x1	G - x1	J - x1	N - x2	R - x1	V - x1
D - x1	H - x1	K - x1	O - x3	S - x3	

MAX SUGGESTED LOADS



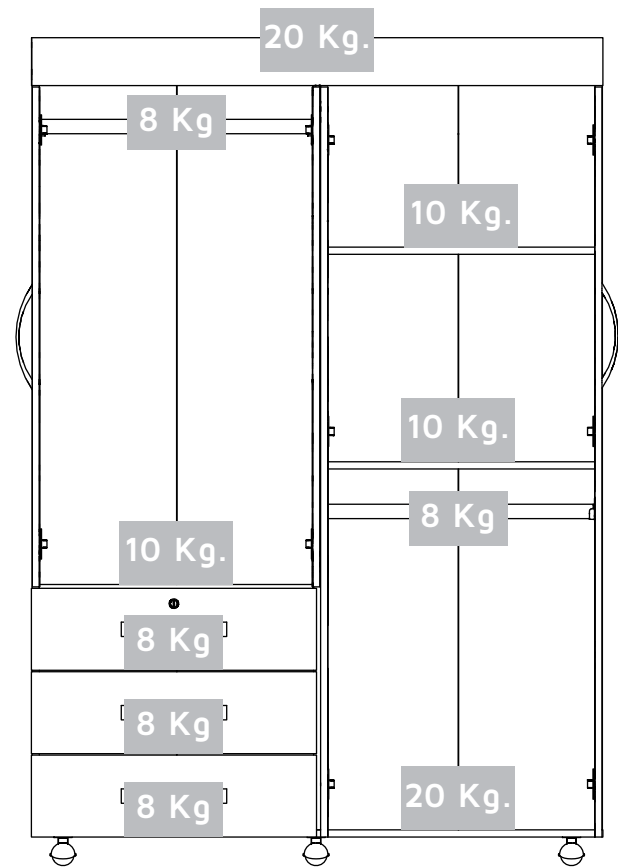
ASSEMBLY RECOMMENDATIONS

Two people are recommended to assemble the product.

Assemble the cabinet on a flat, smooth surface, preferably on a carpeted floor or the carton box of the product.

Carefully read the assembly instructions and identify every wood and hardware part before start assembling the cabinet.

CARGAS MÁXIMAS SUGERIDAS



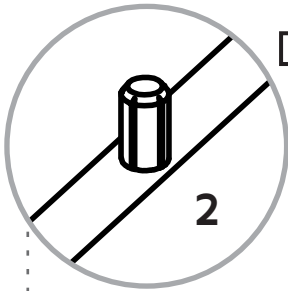
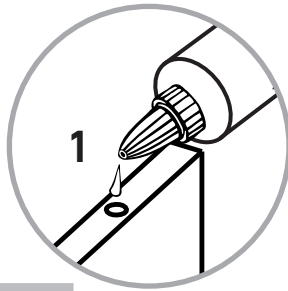
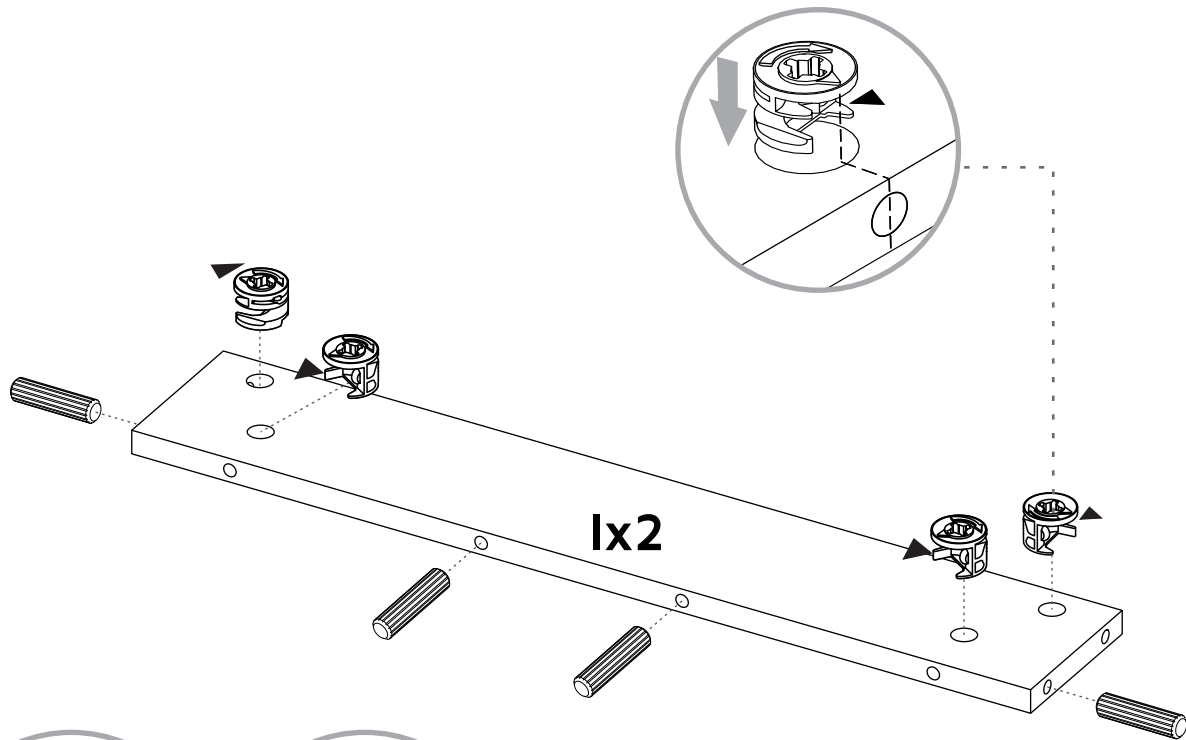
RECOMENDACIONES DE ENSAMBLE

Ensamble el mueble entre dos personas.

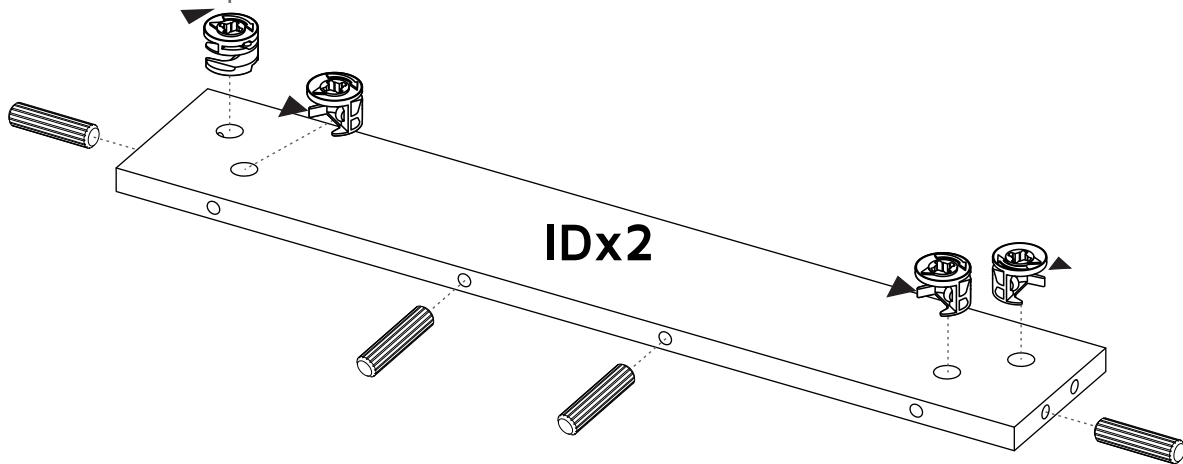
Ensamble el mueble sobre una superficie plana y lisa, preferiblemente sobre un tapete o el cartón de la caja

Lea cuidadosamente las instrucciones e identifique todas las piezas y herrajes antes de empezar a armar el mueble.

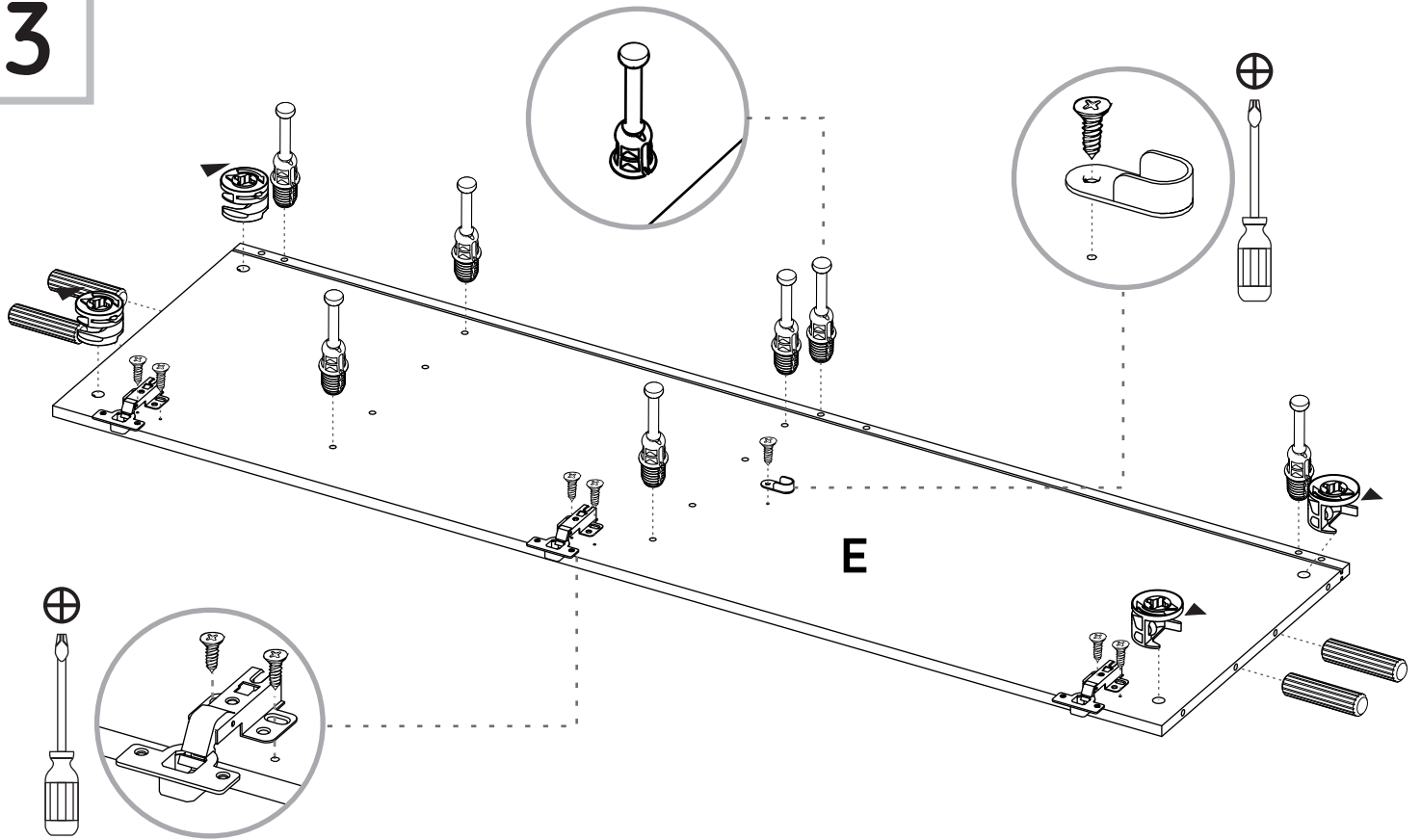
1



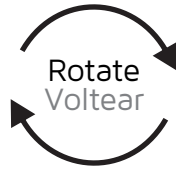
2



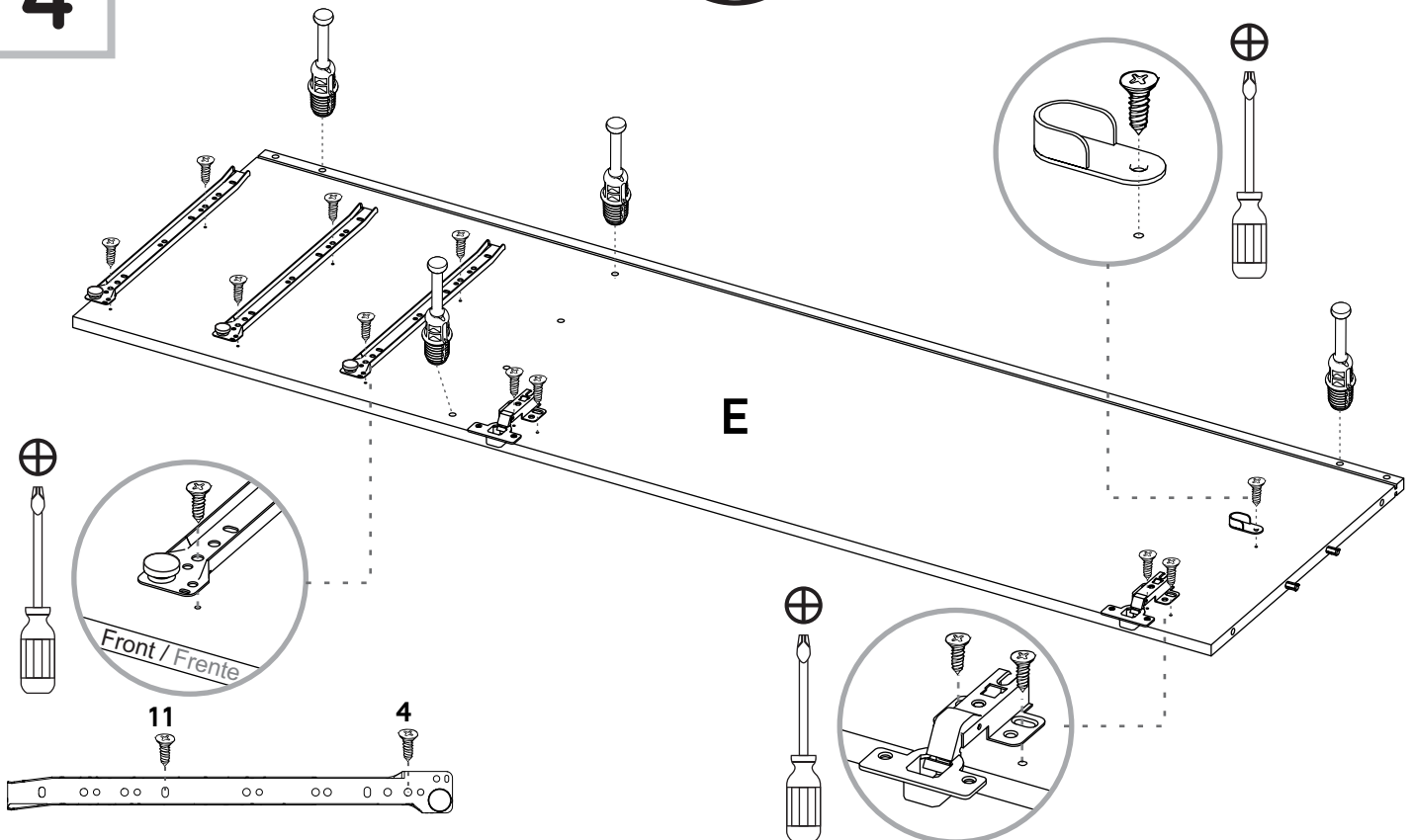
3



Half Overlay Hinge
Bisagra Semi Parche

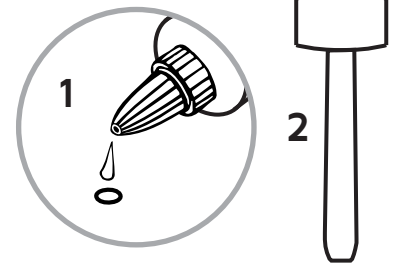
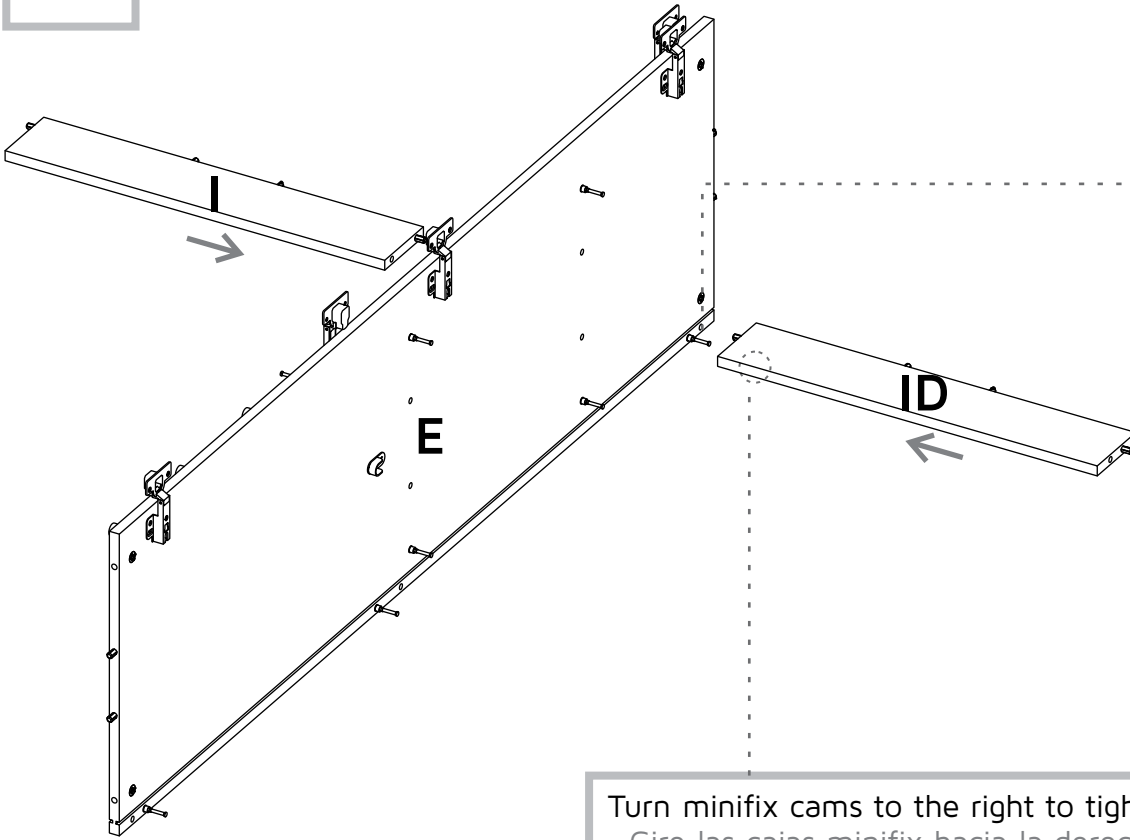


4



Half Overlay Hinge
Bisagra Semi Parche

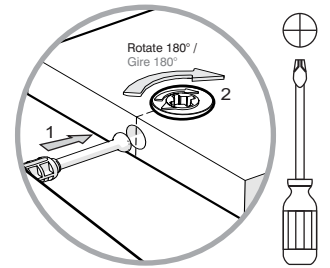
5



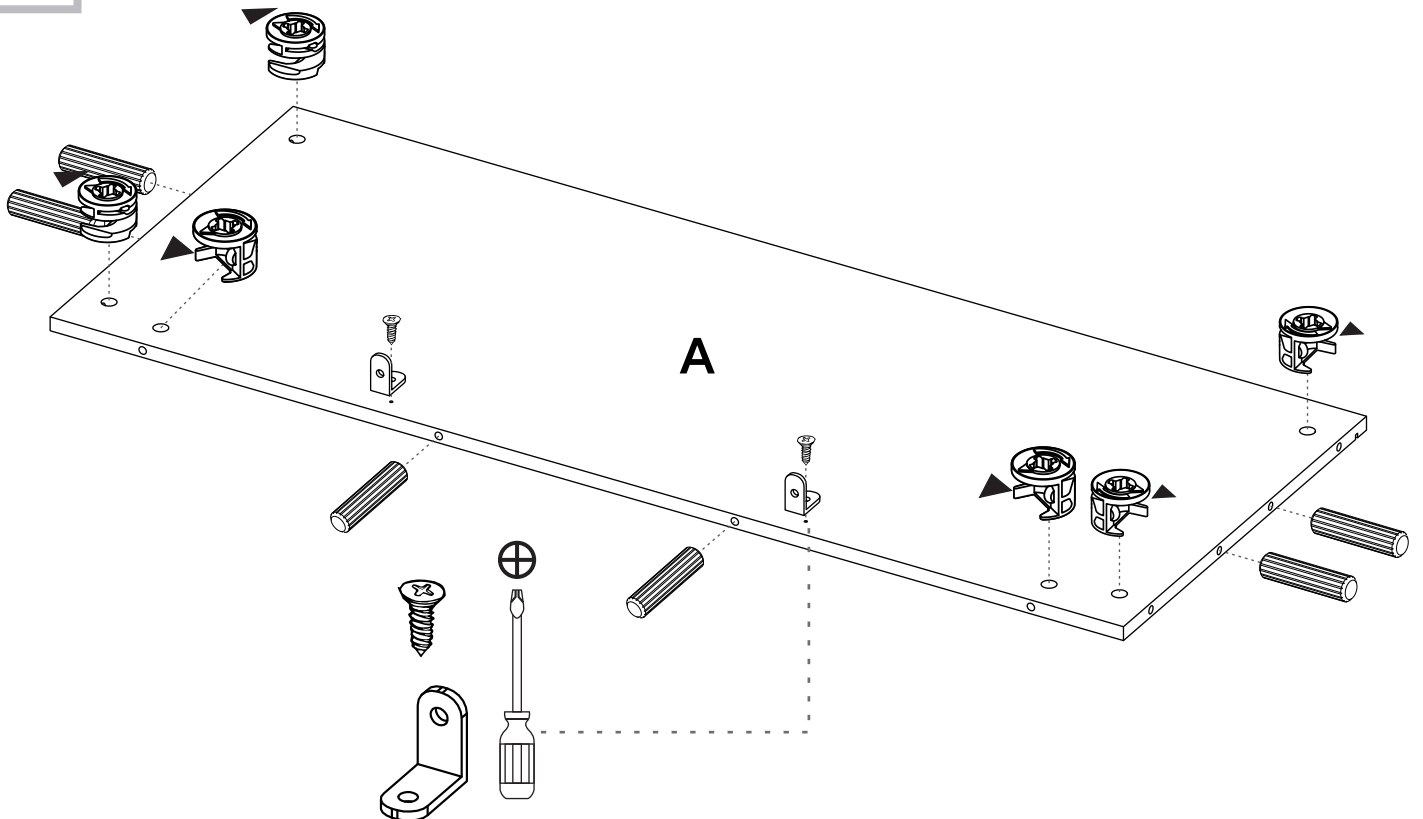
Gently hit the pieces with a rubber hammer to adjust the joint.

Golpee suavemente la pieza con un martillo de goma para ajustar el ensamble.

Turn minifix cams to the right to tighten.
Gire las cajas minifix hacia la derecha para apretar las piezas.

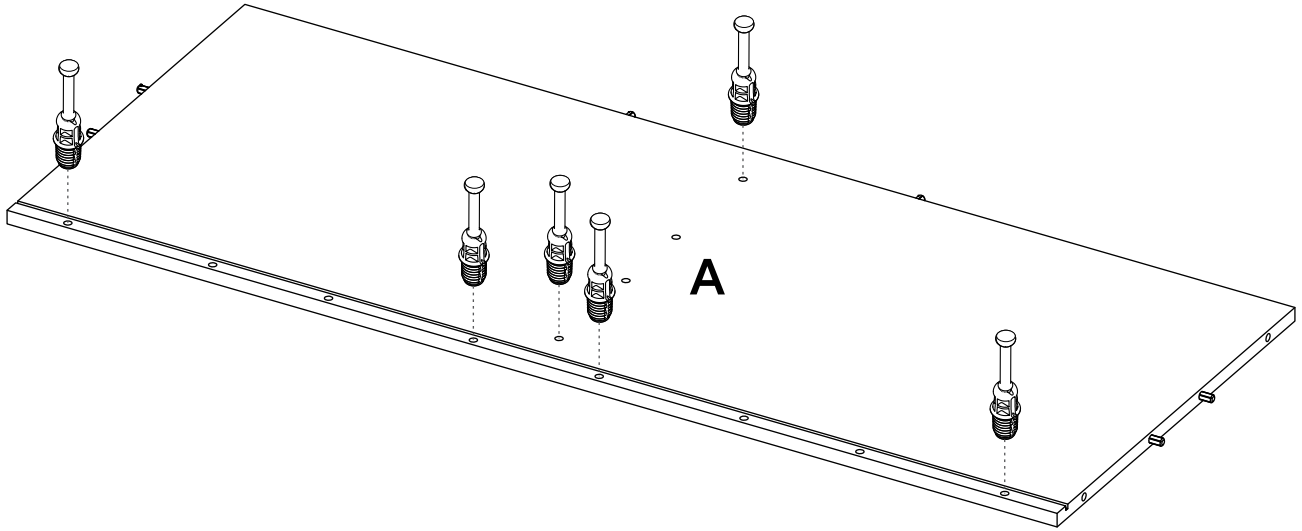


6

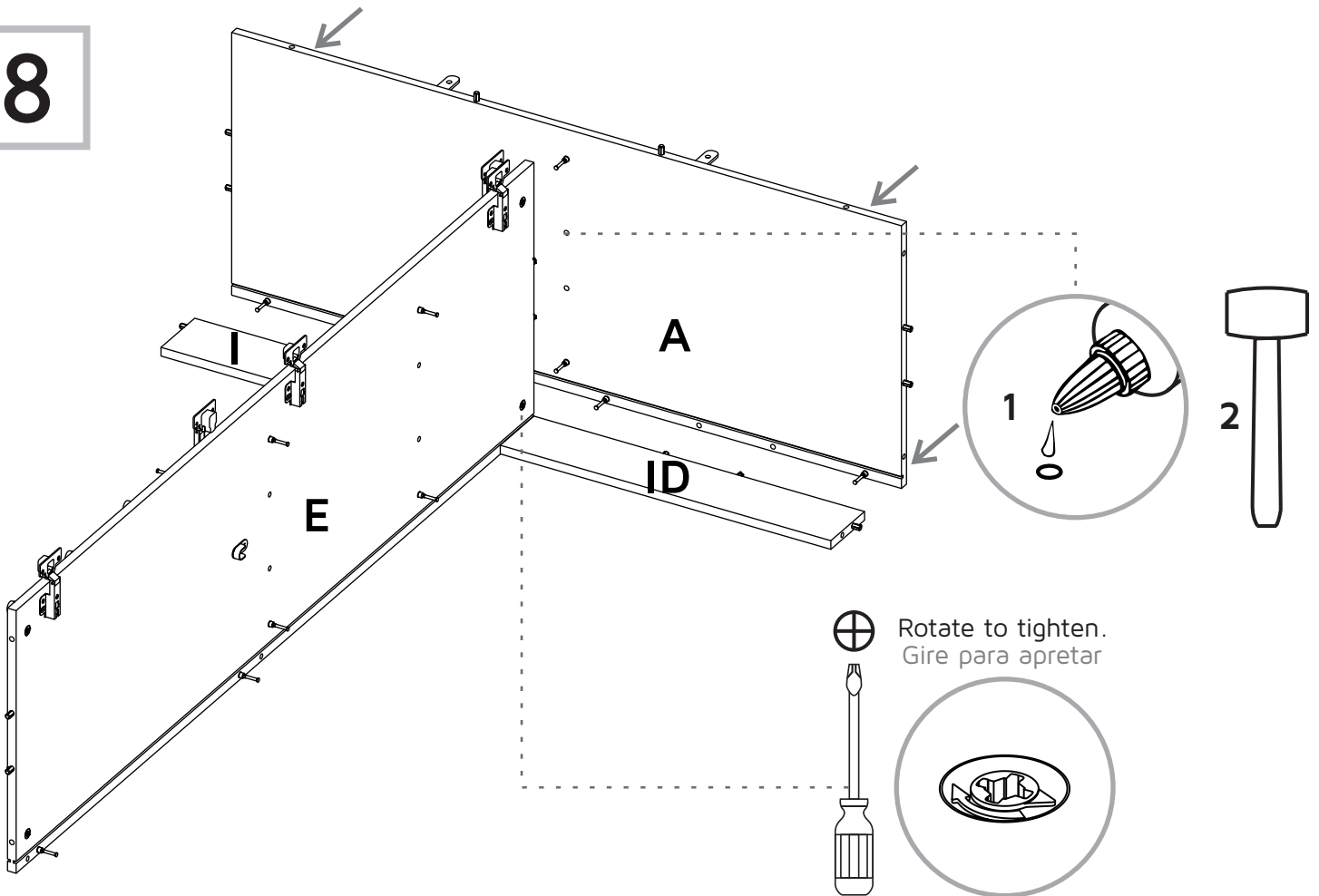


7

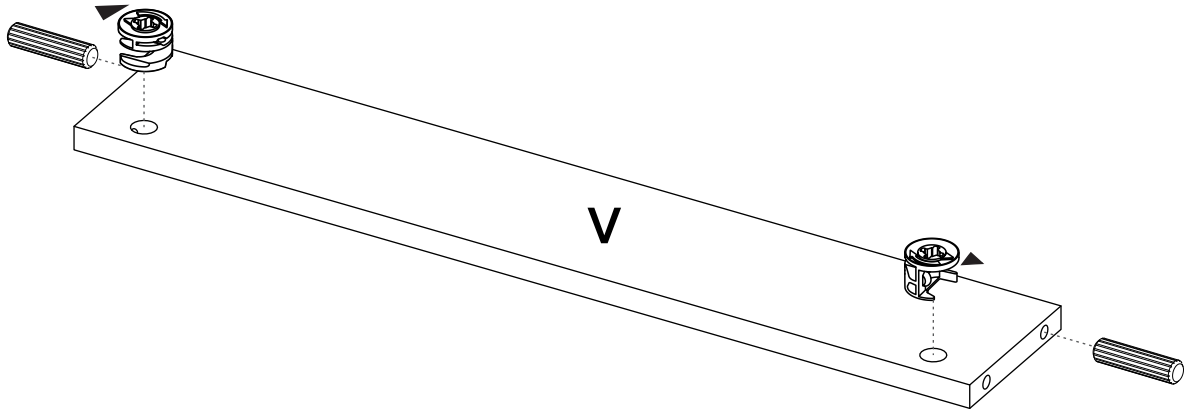
Rotate
Voltrear



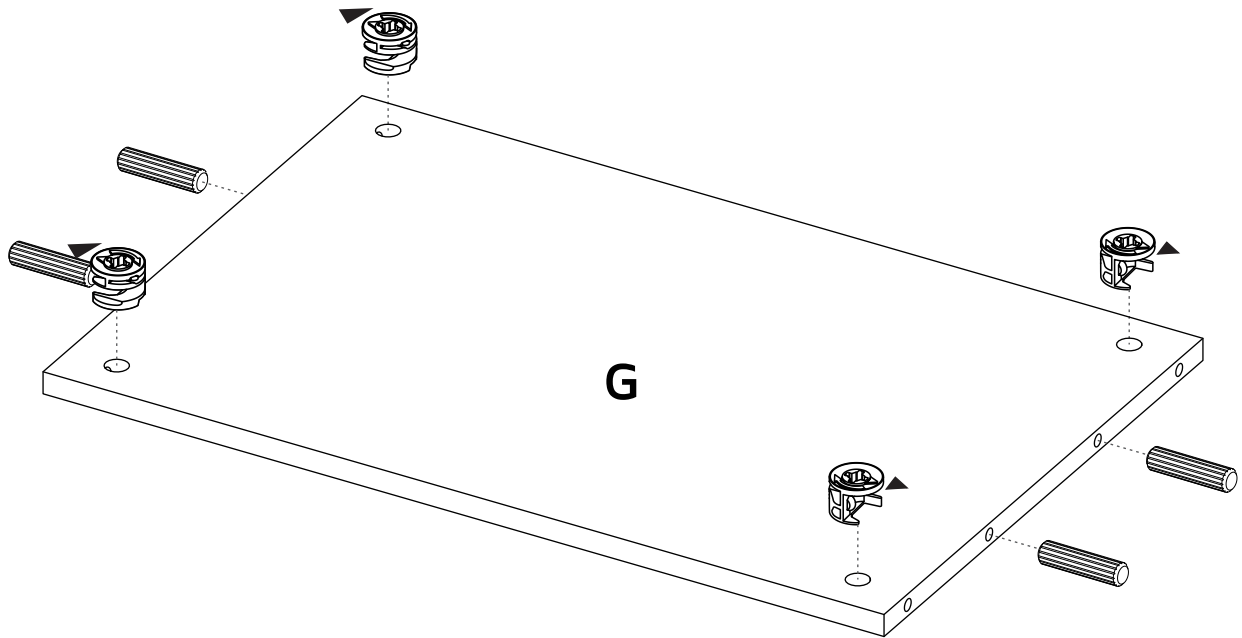
8



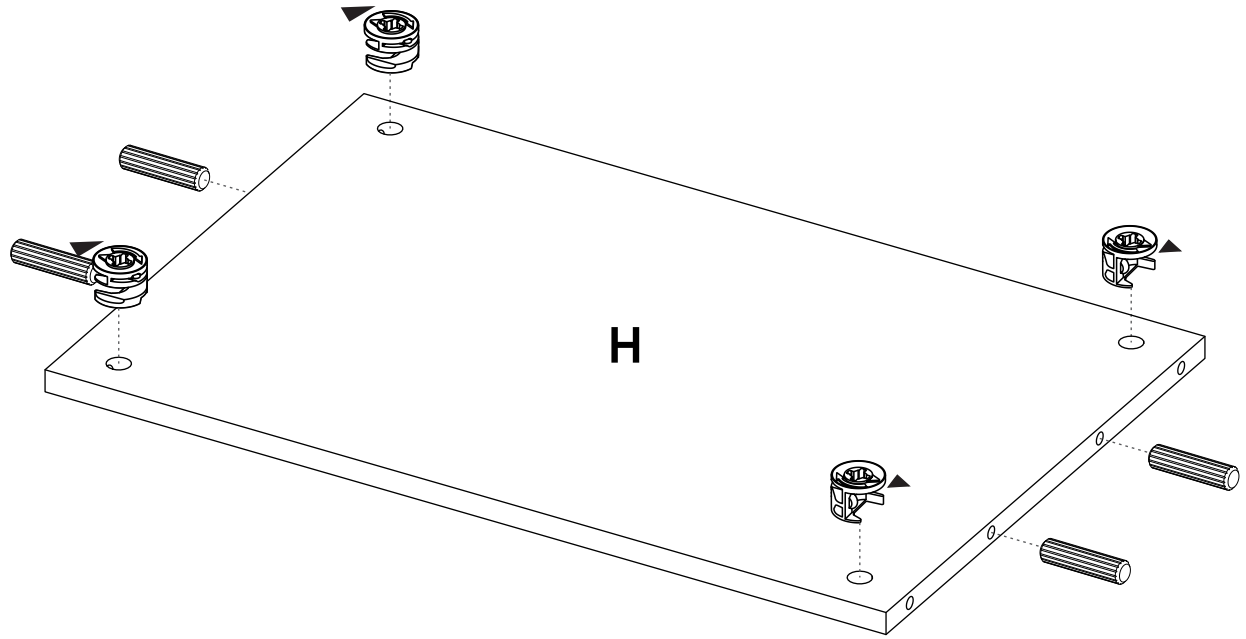
9



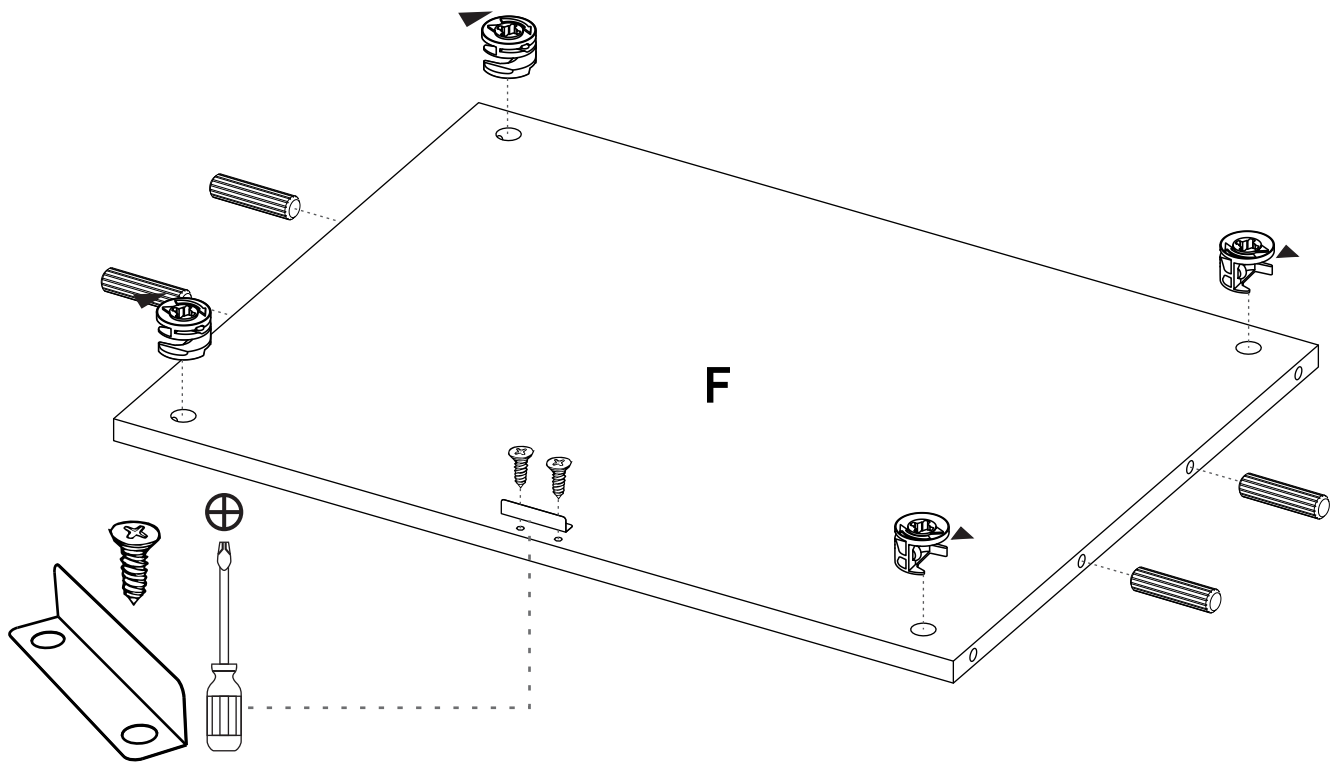
10



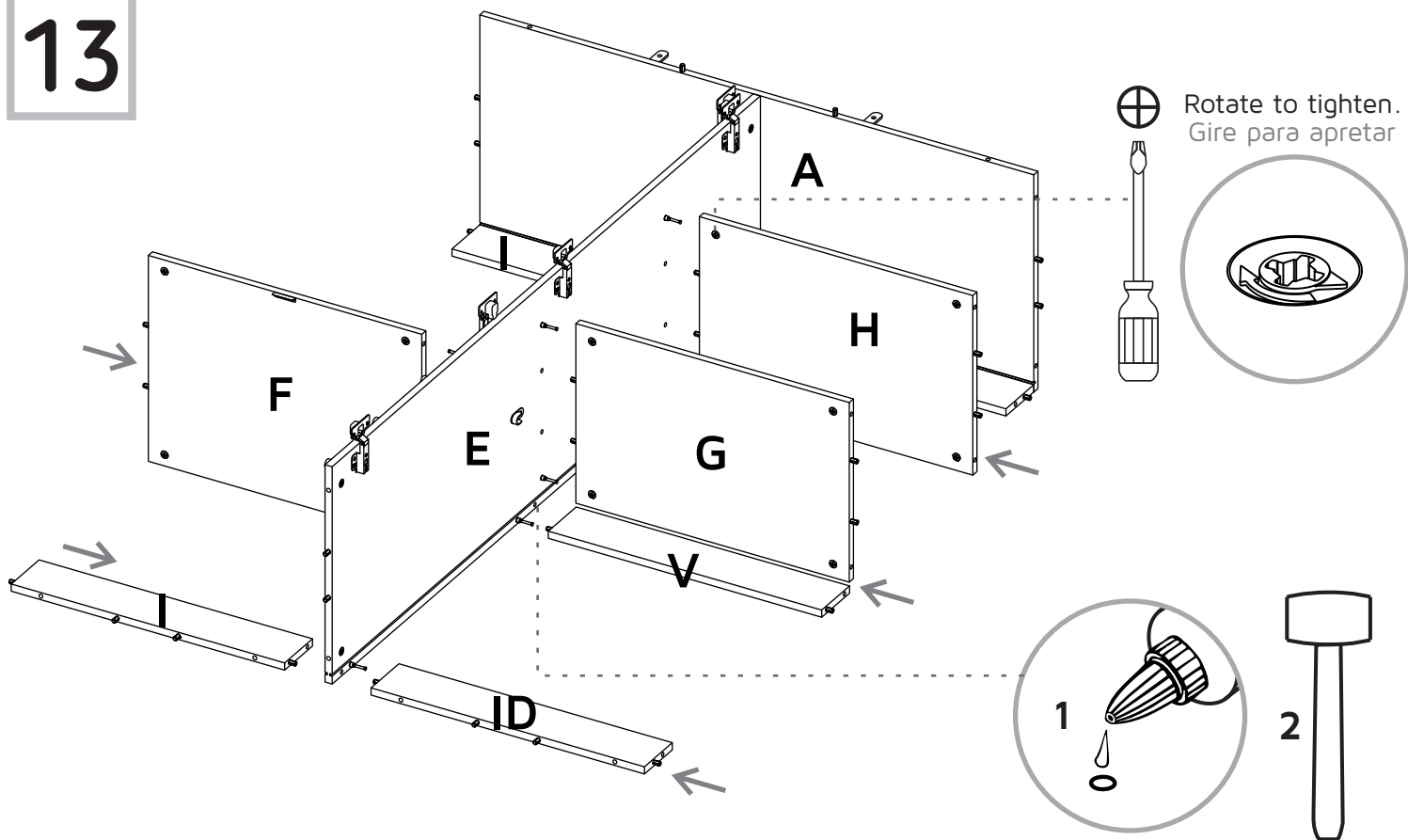
11



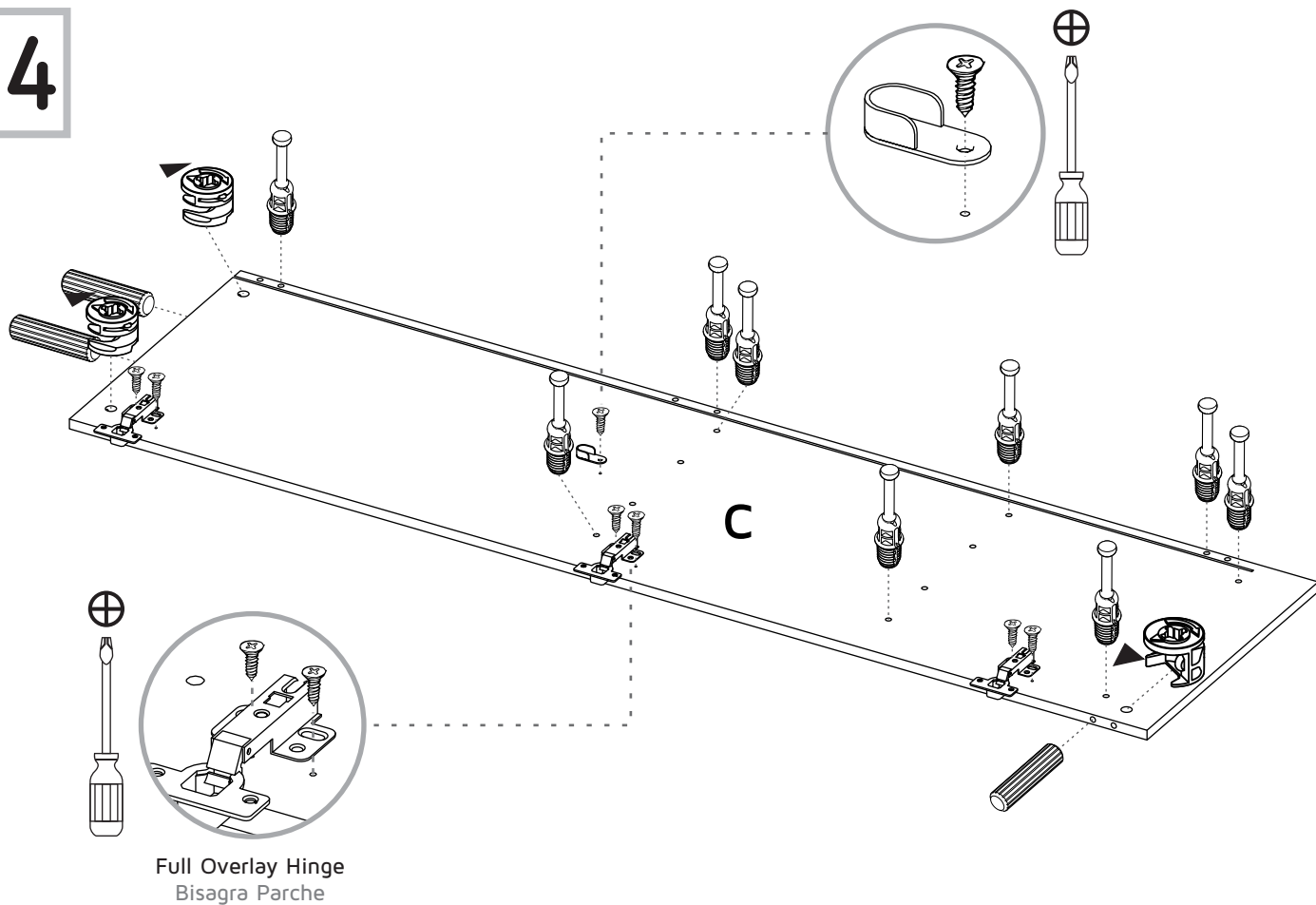
12



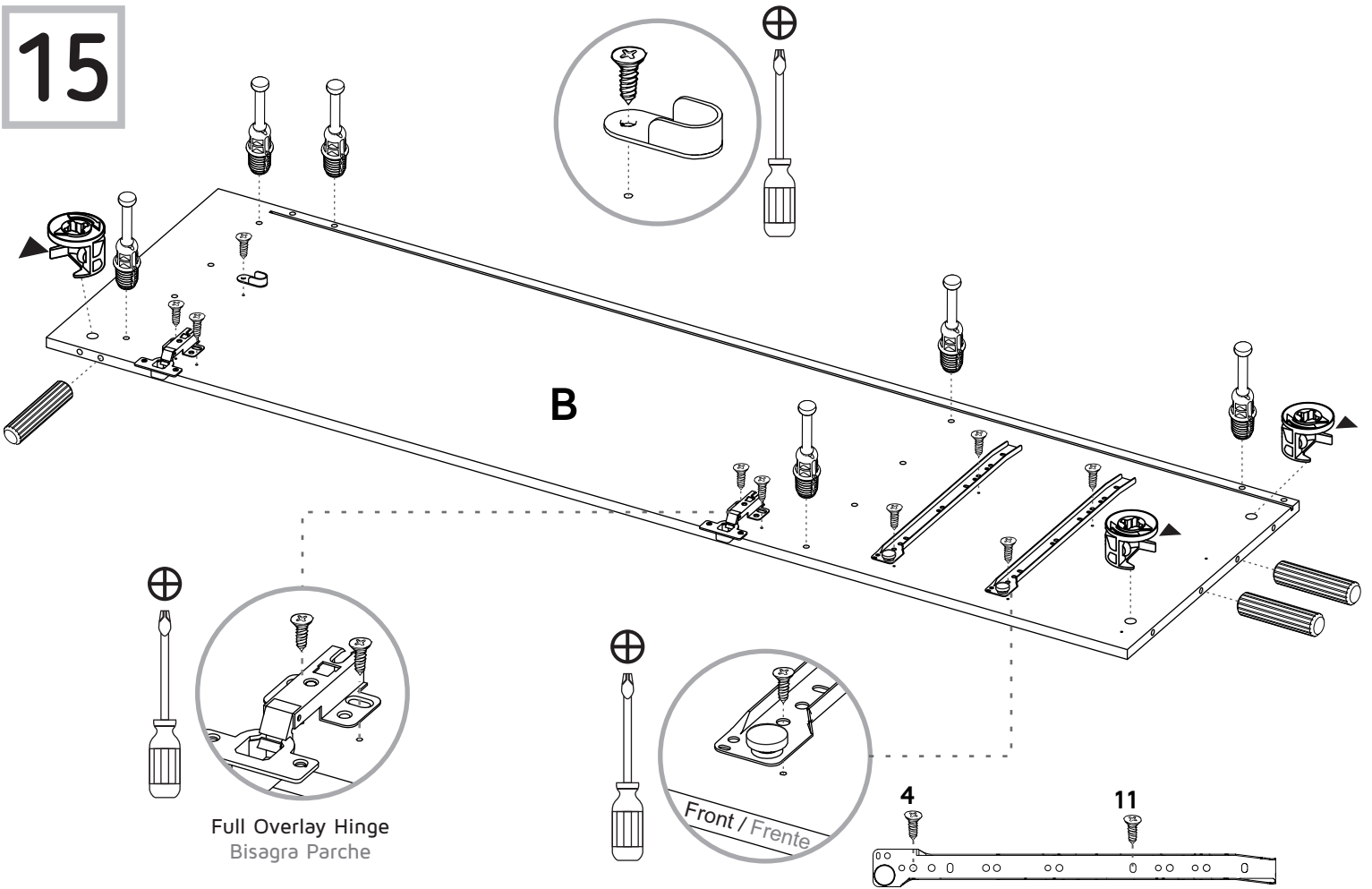
13



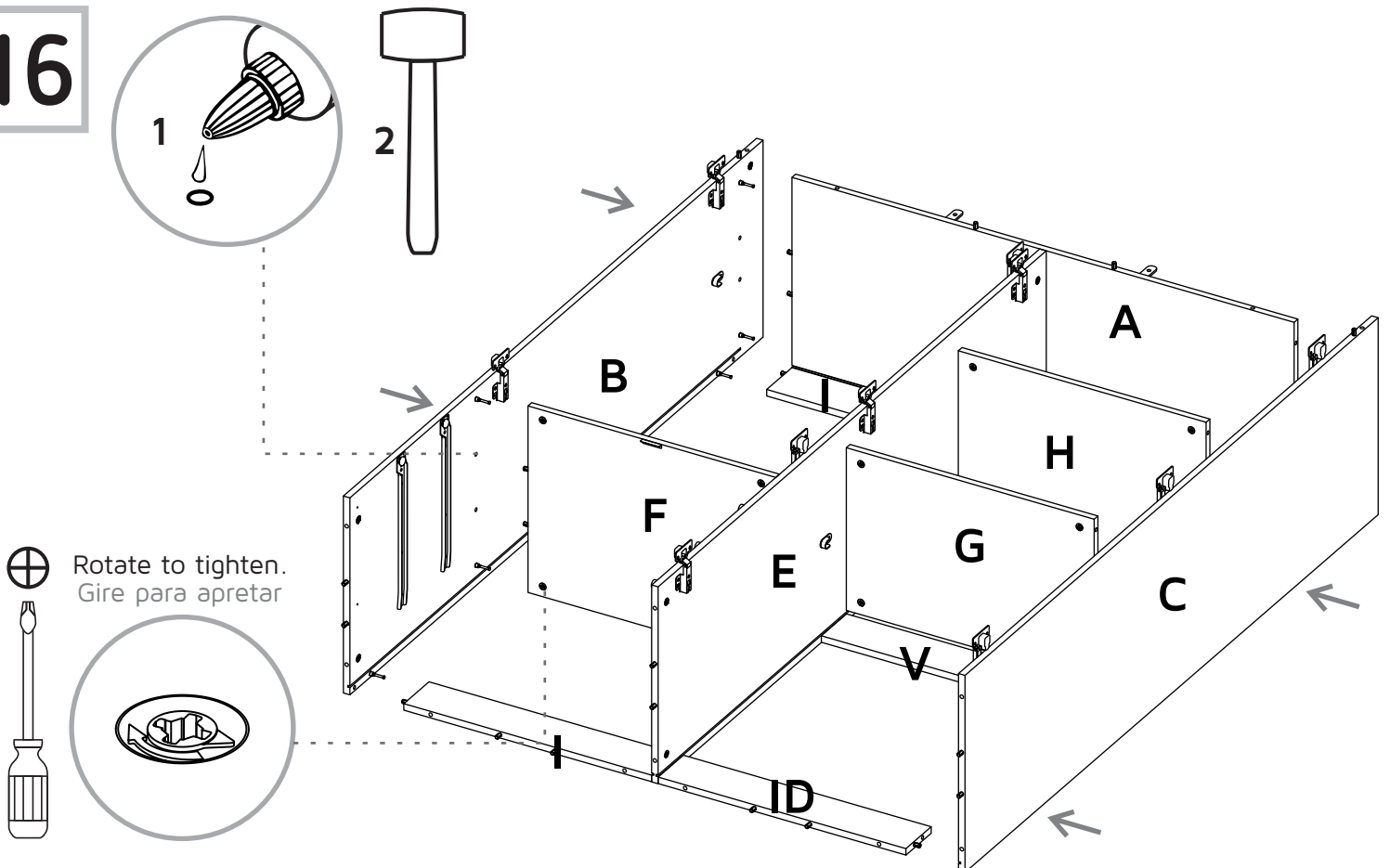
14

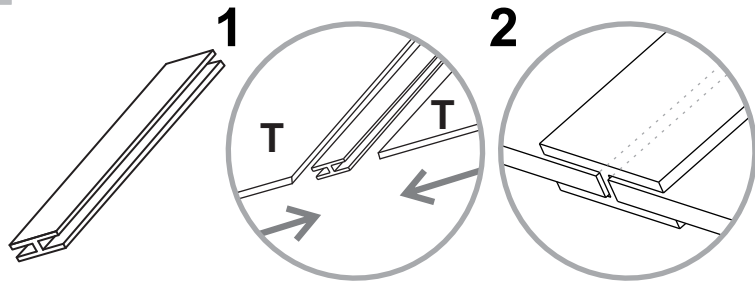


15

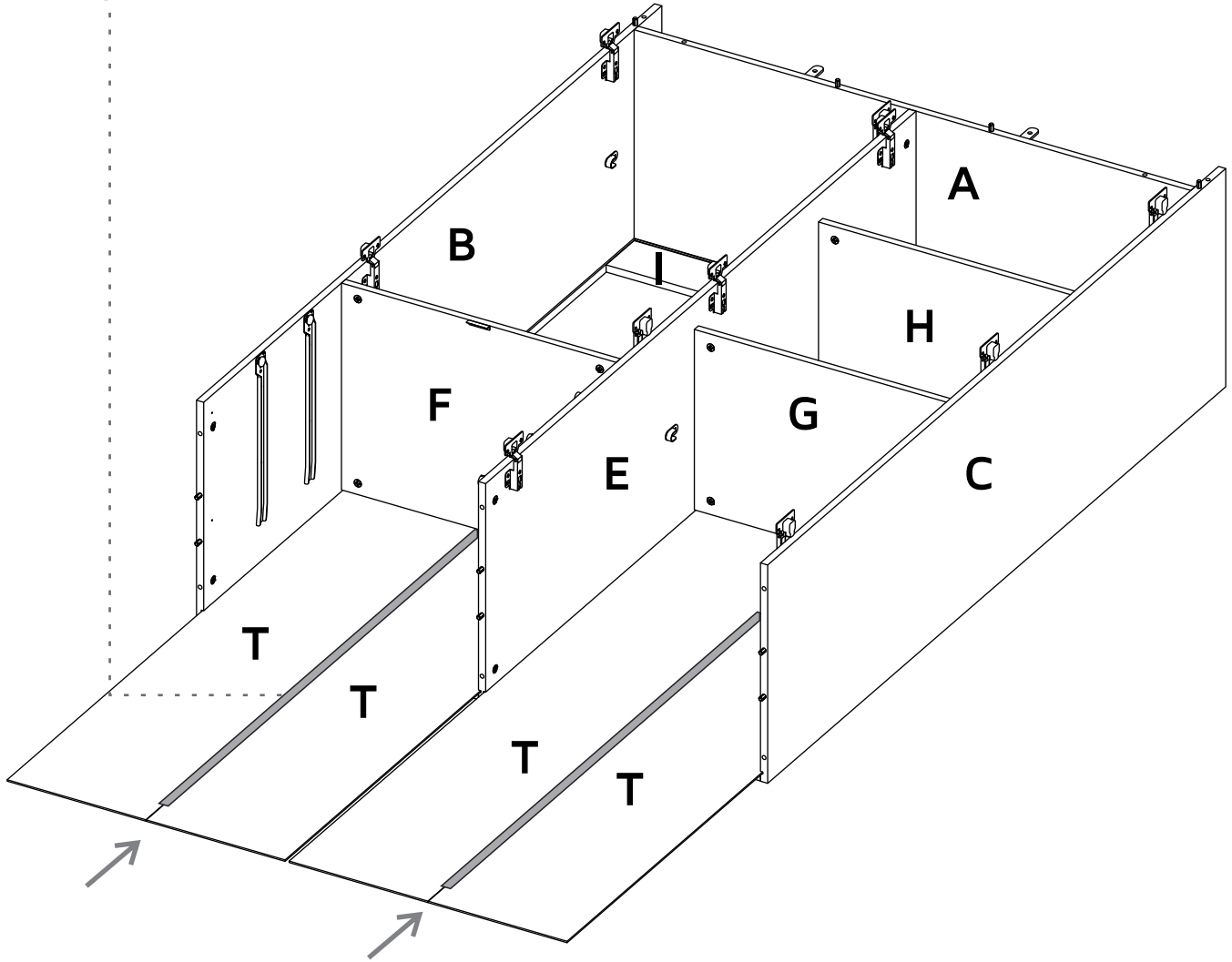


16



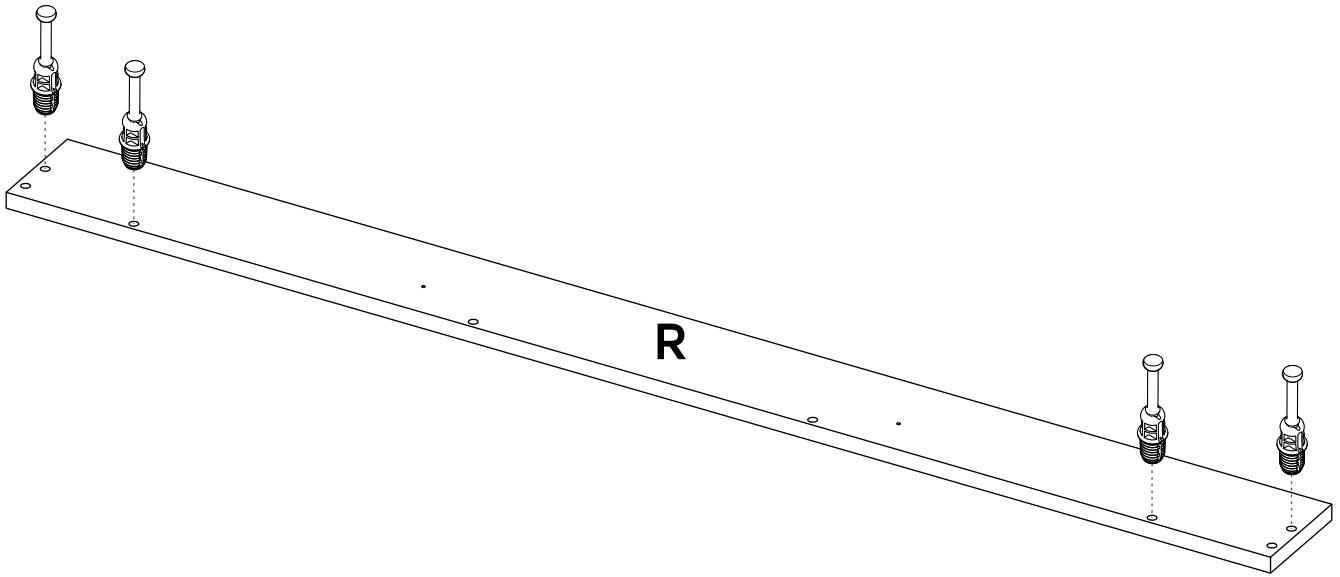


Guide Profile
Perfil H

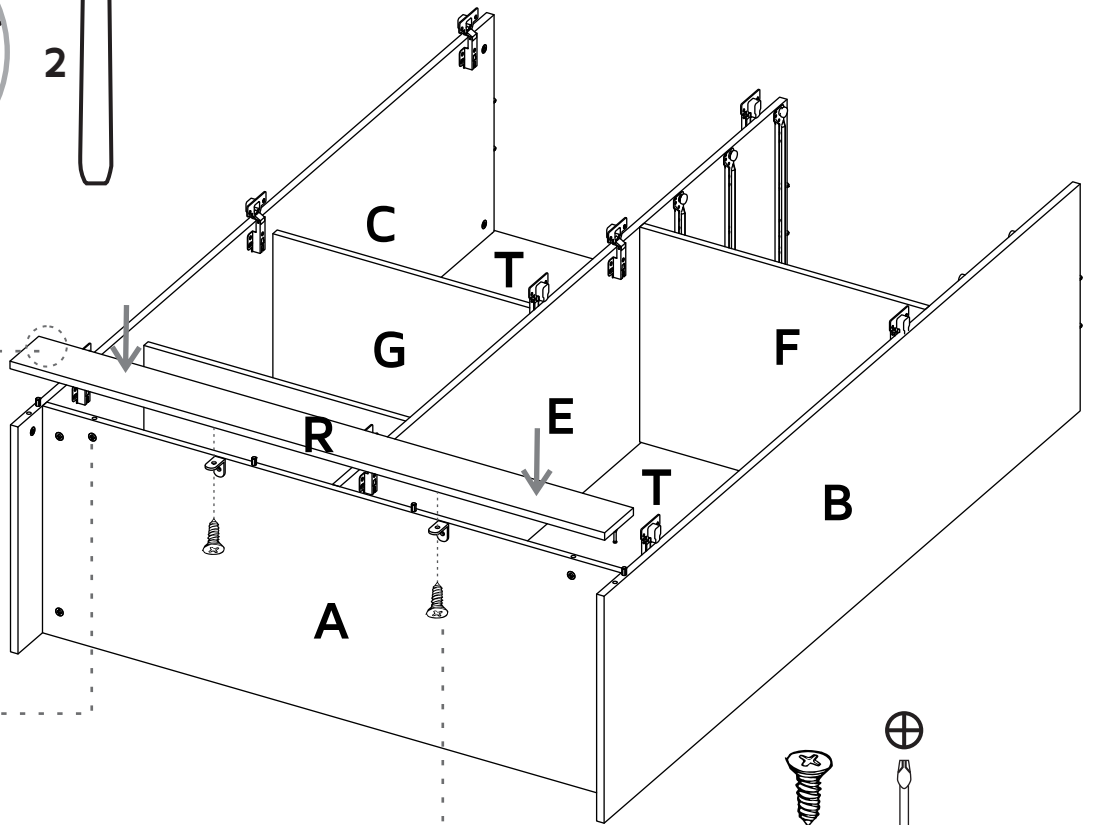
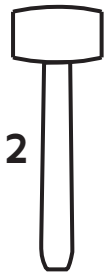
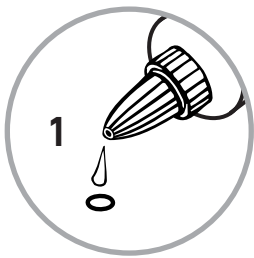


Slide Inside
Deslizar Dentro

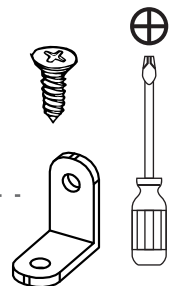
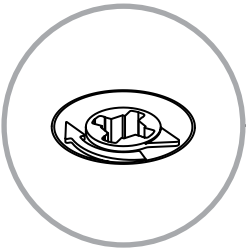
18



19

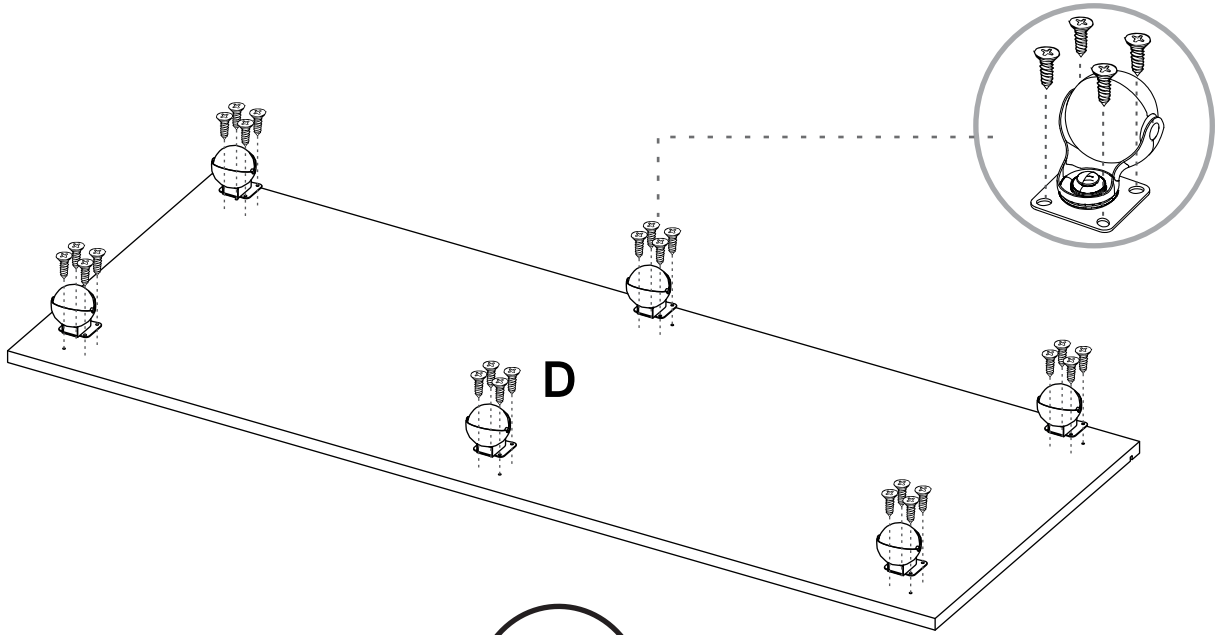
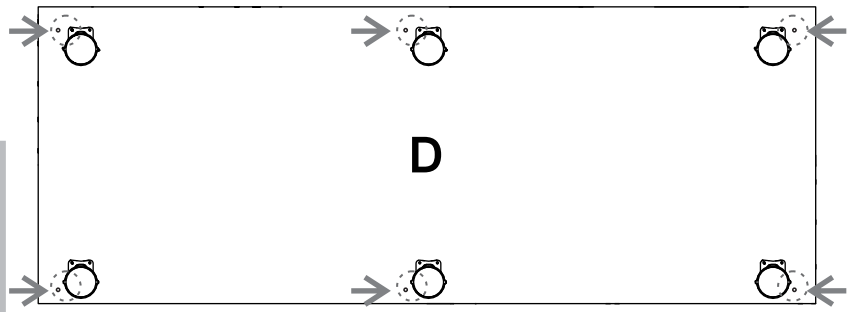


⊕ Rotate to tighten.
Gire para apretar



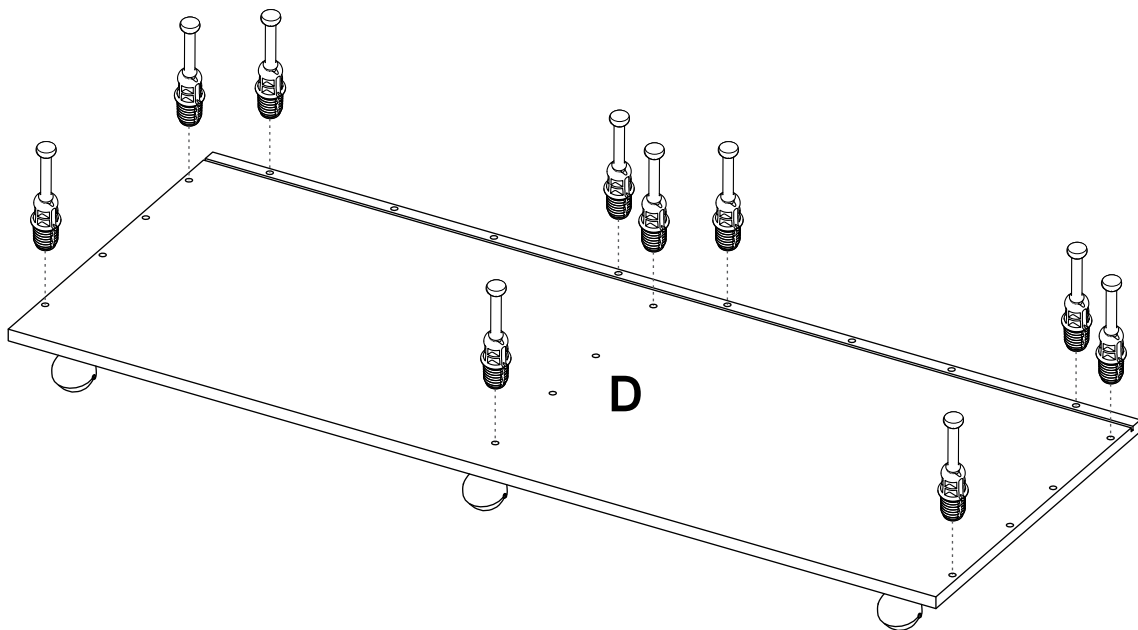
20

Consider the perforations in part "A" to install the wheel castors and choose the correct wheel hole to put them into place/ Considere las perforaciones en la pieza "A" para la instalación de las rodachinas y elija el orificio correcto de la rodachina para colocarlas en su lugar.



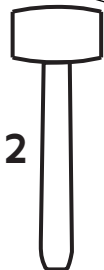
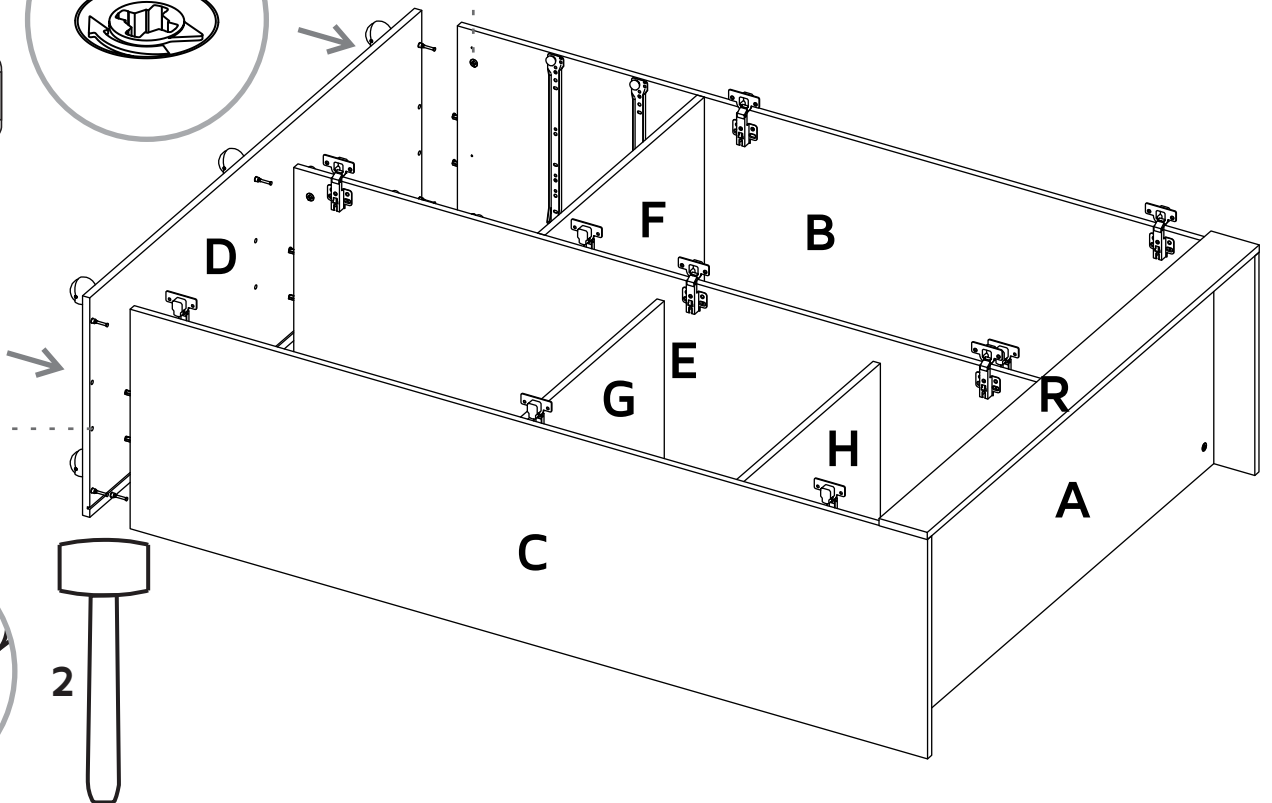
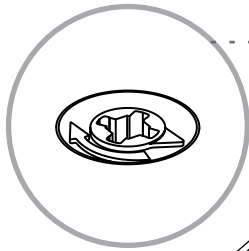
21

Turn Over
Voltear

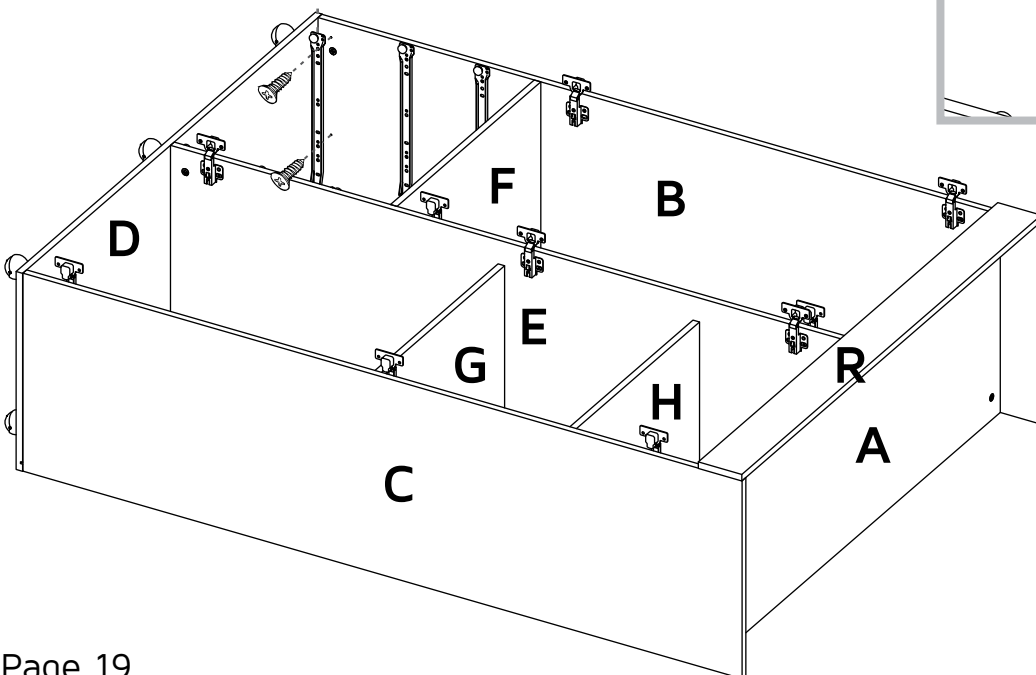
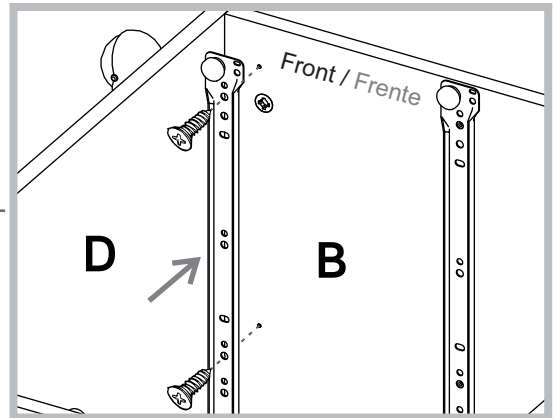
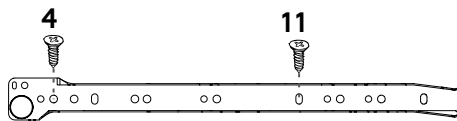


22

⊕ Rotate to tighten.
Gire para apretar



23



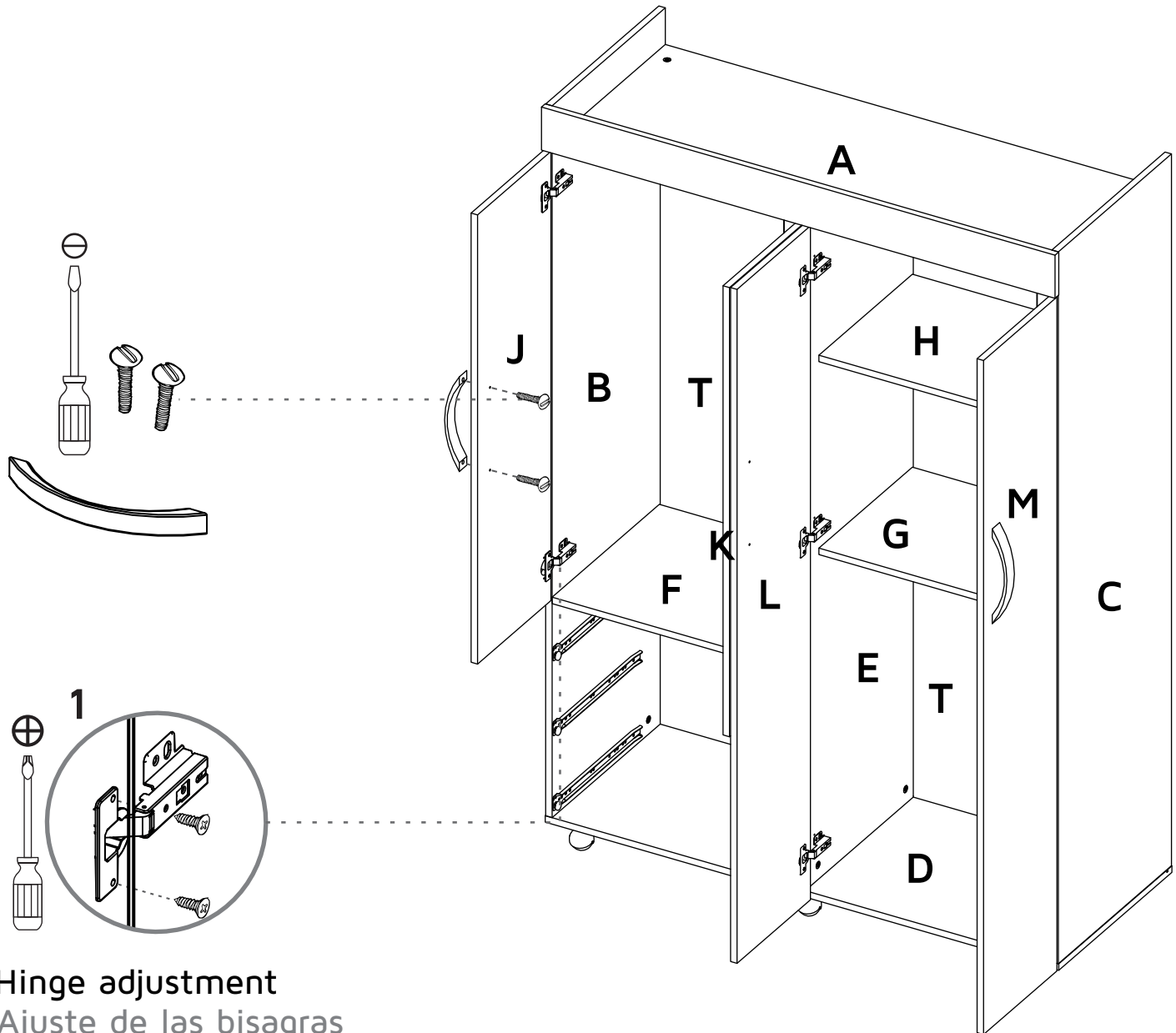
24

Door Installation Instalación de las Puertas

Carefully Flip The Furniture

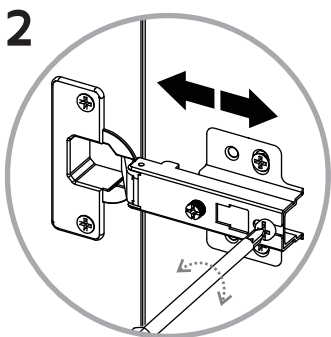
Voltear el mueble cuidadosamente 

Don't forget to tighten the rear minifix cams
No olvide apretar las cajas minifix traseras

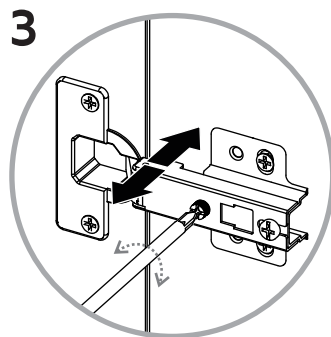


Hinge adjustment

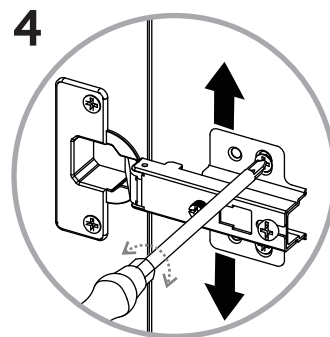
Ajuste de las bisagras



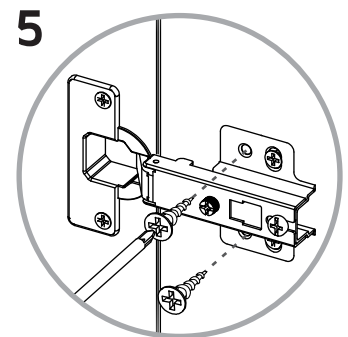
Depth adjustment
Ajuste de profundidad



Side adjustment
Ajuste lateral

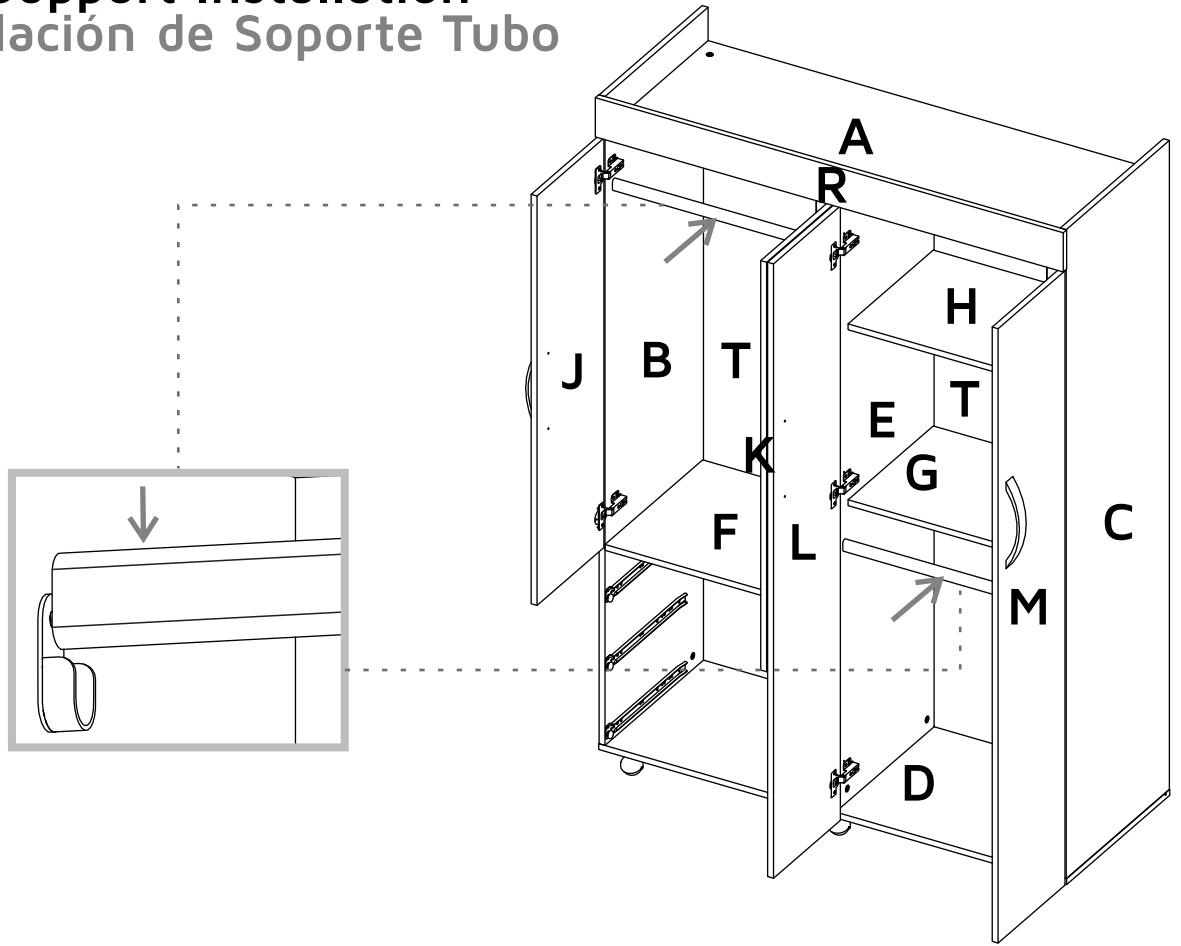


Height adjustment
Ajuste de altura

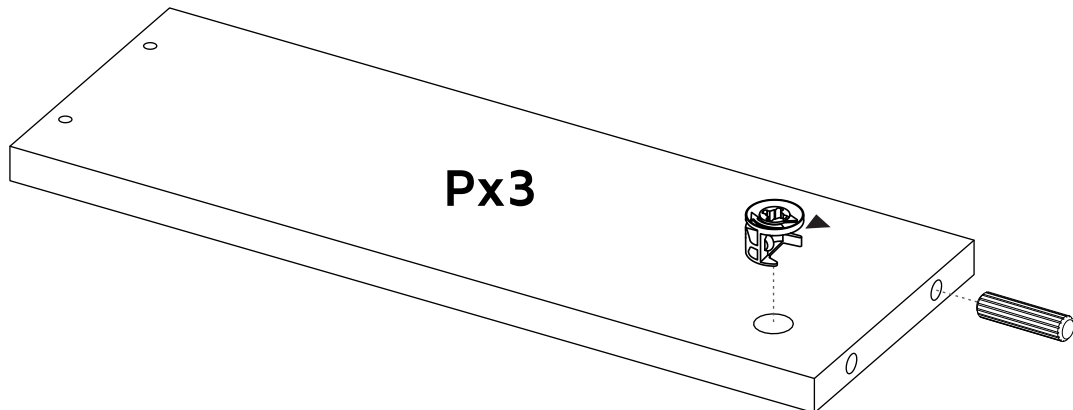


25

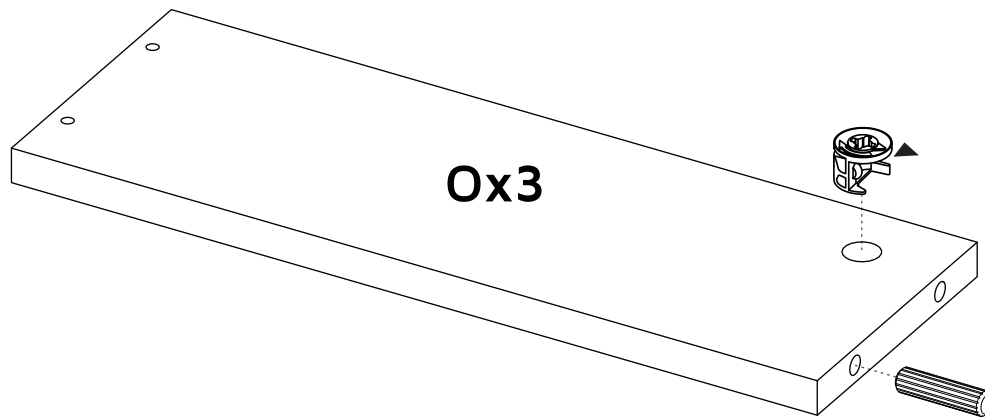
Rod Support Installation Instalación de Soporte Tubo



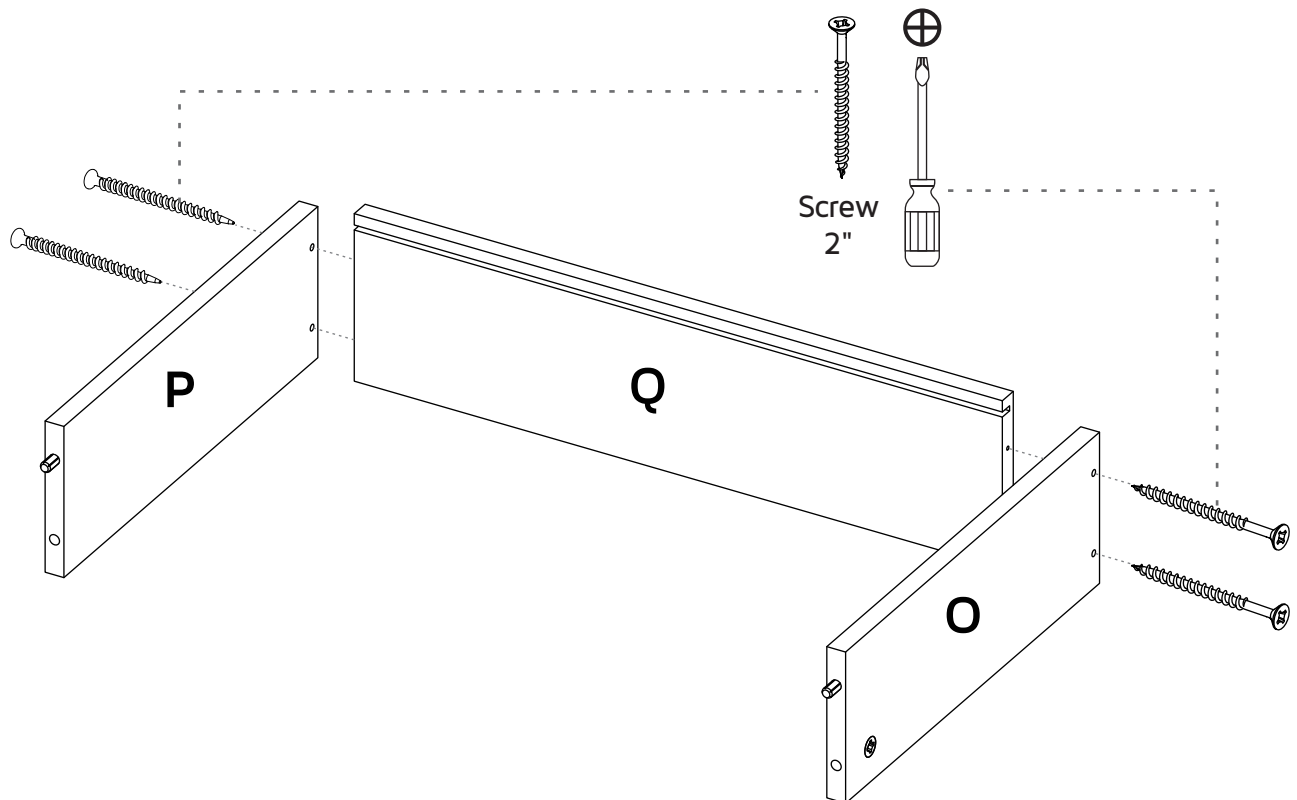
26



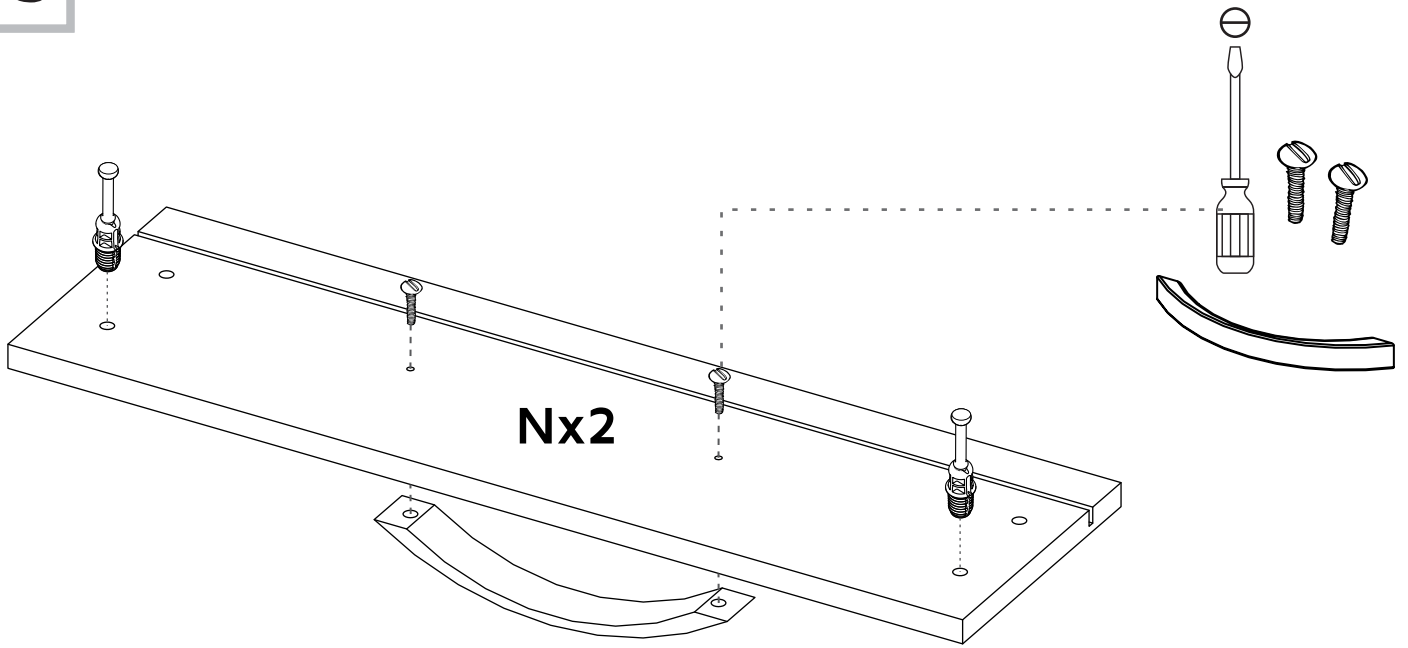
27



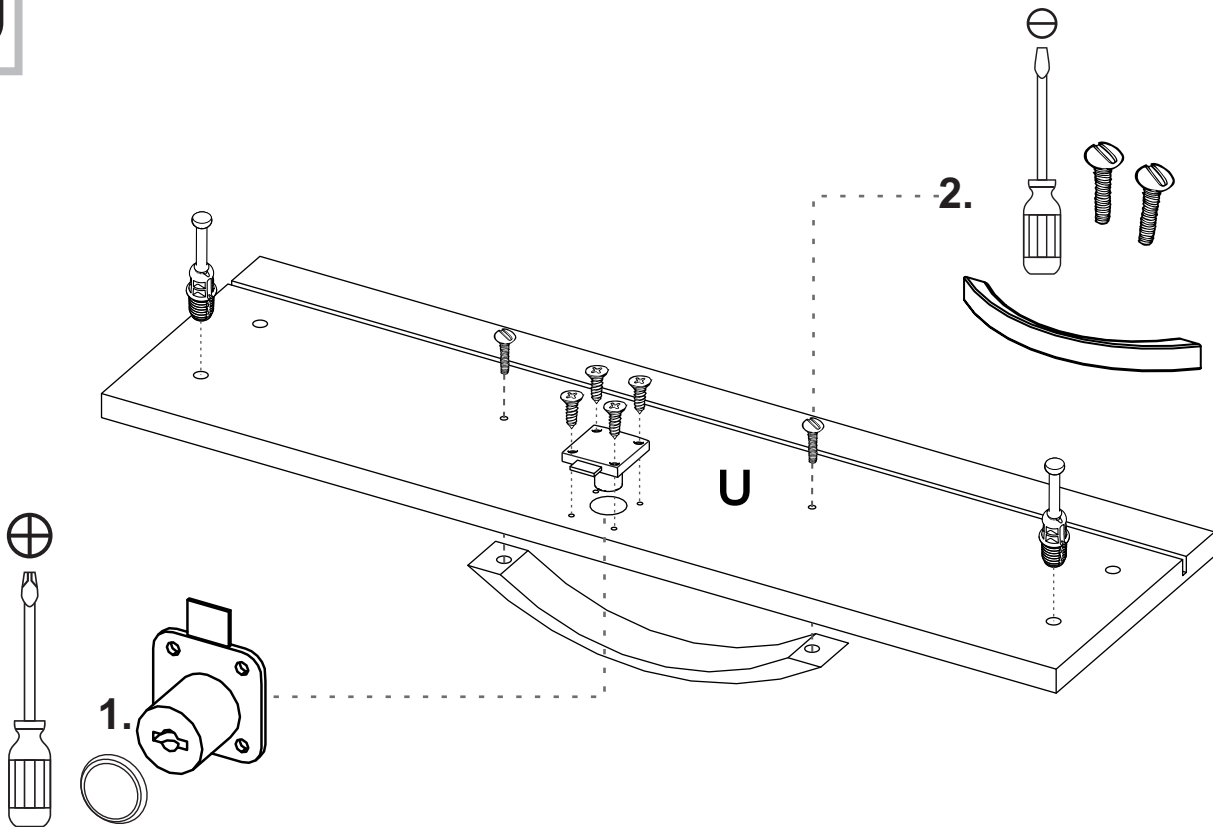
28 x3



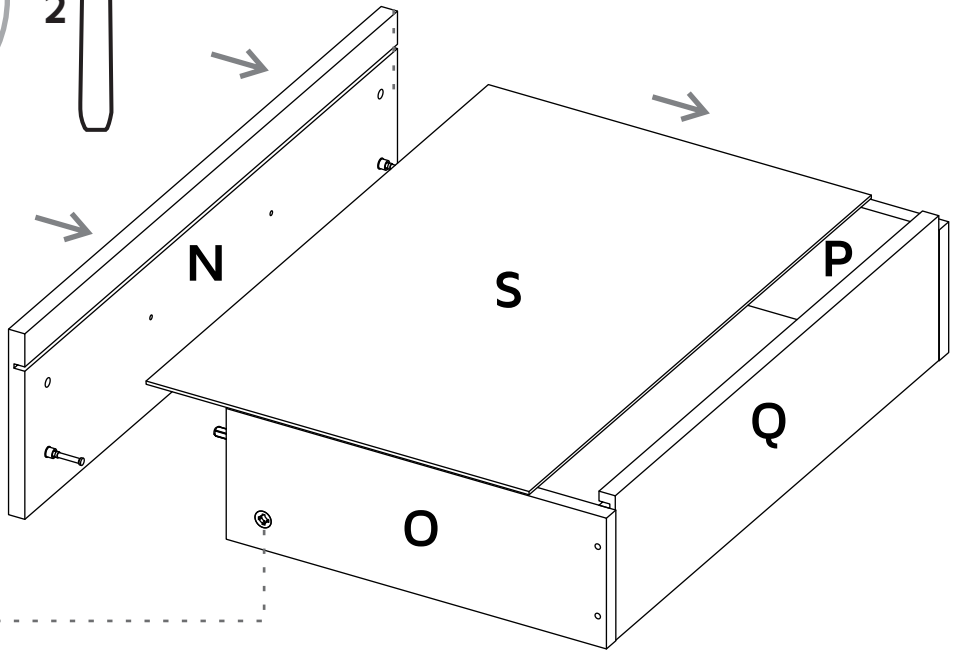
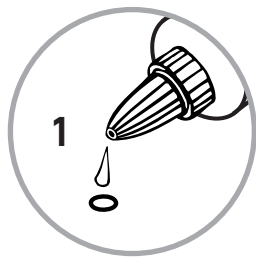
29



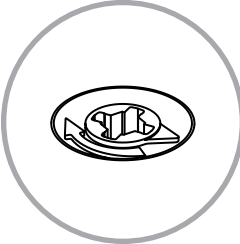
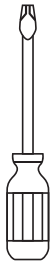
30



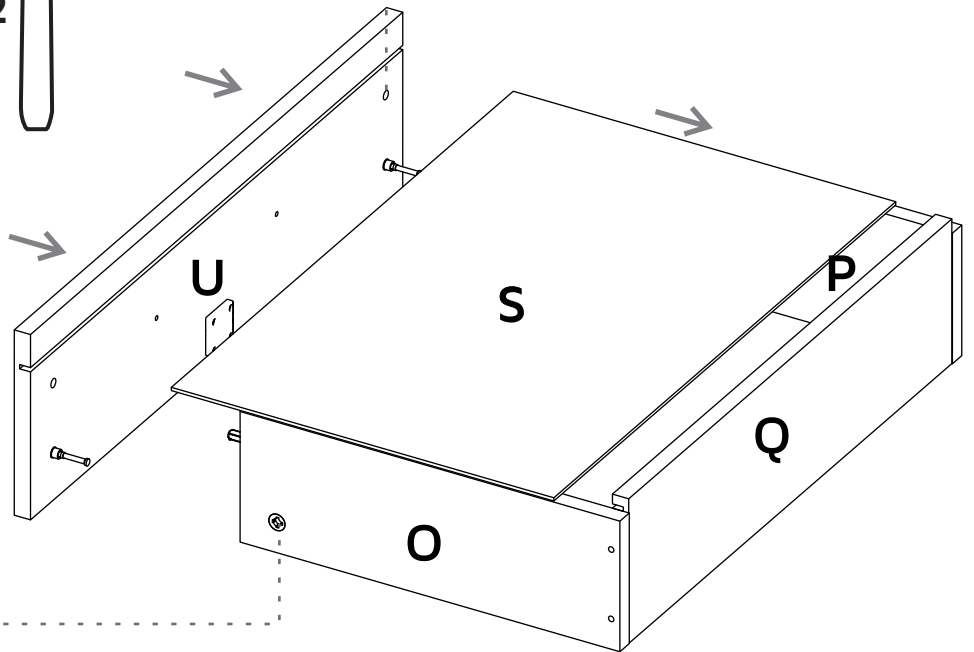
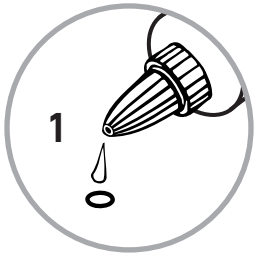
31 **x2**



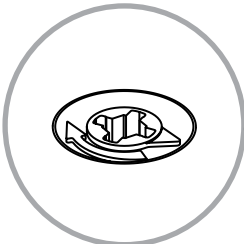
Rotate to tighten.
Gire para apretar



32

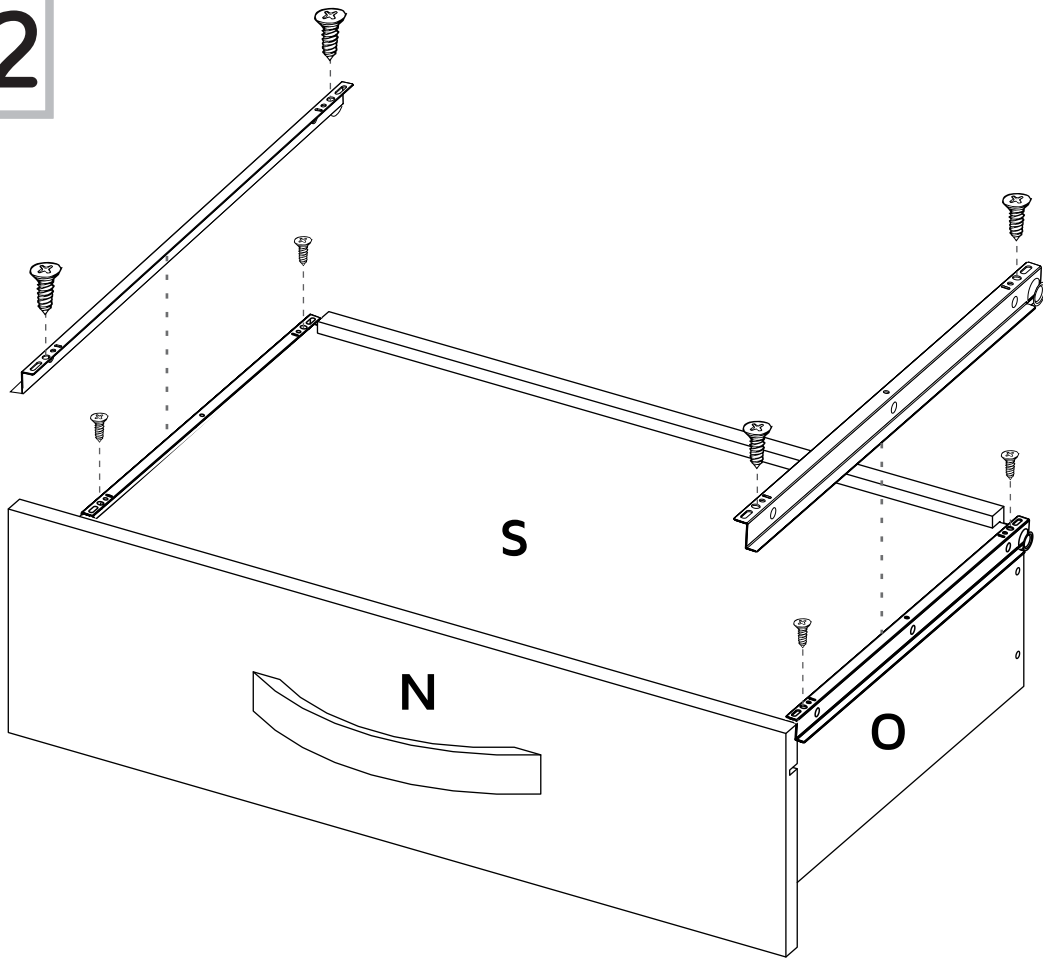


Rotate to tighten.
Gire para apretar

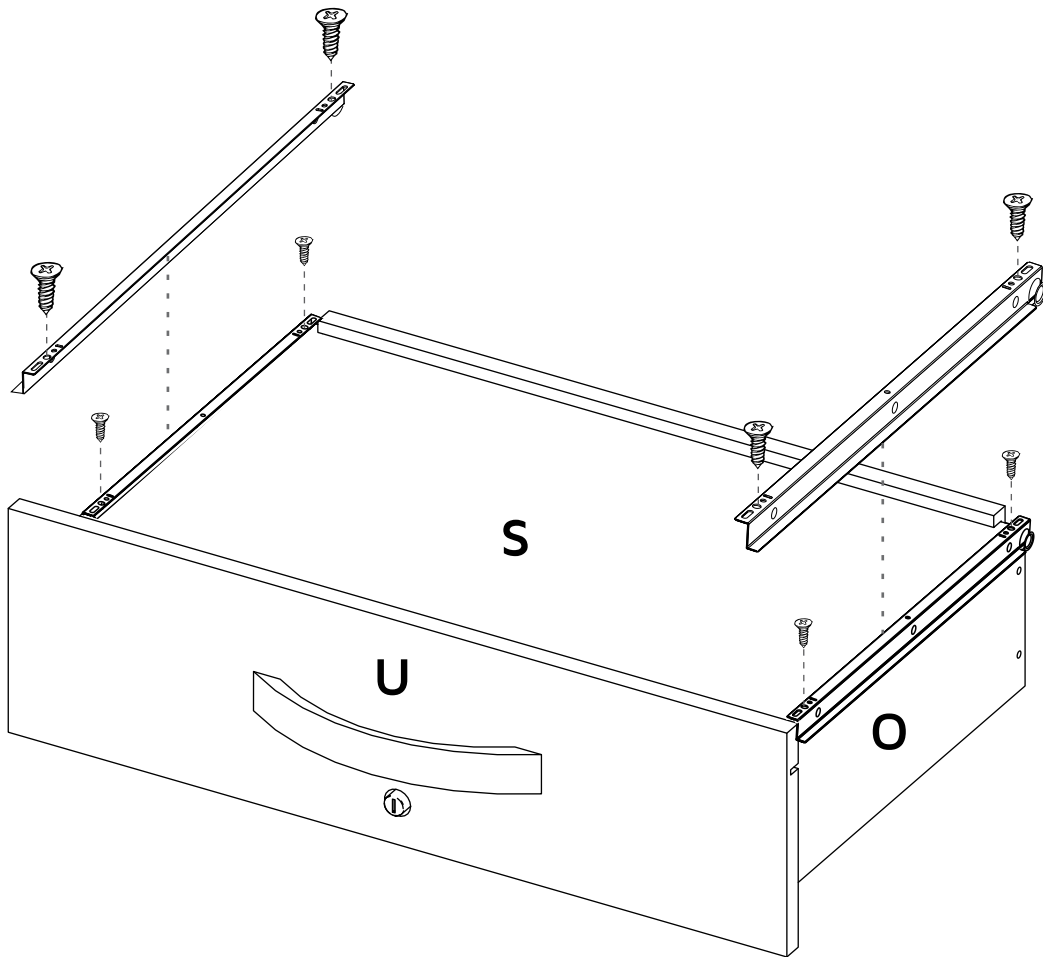


33

x2

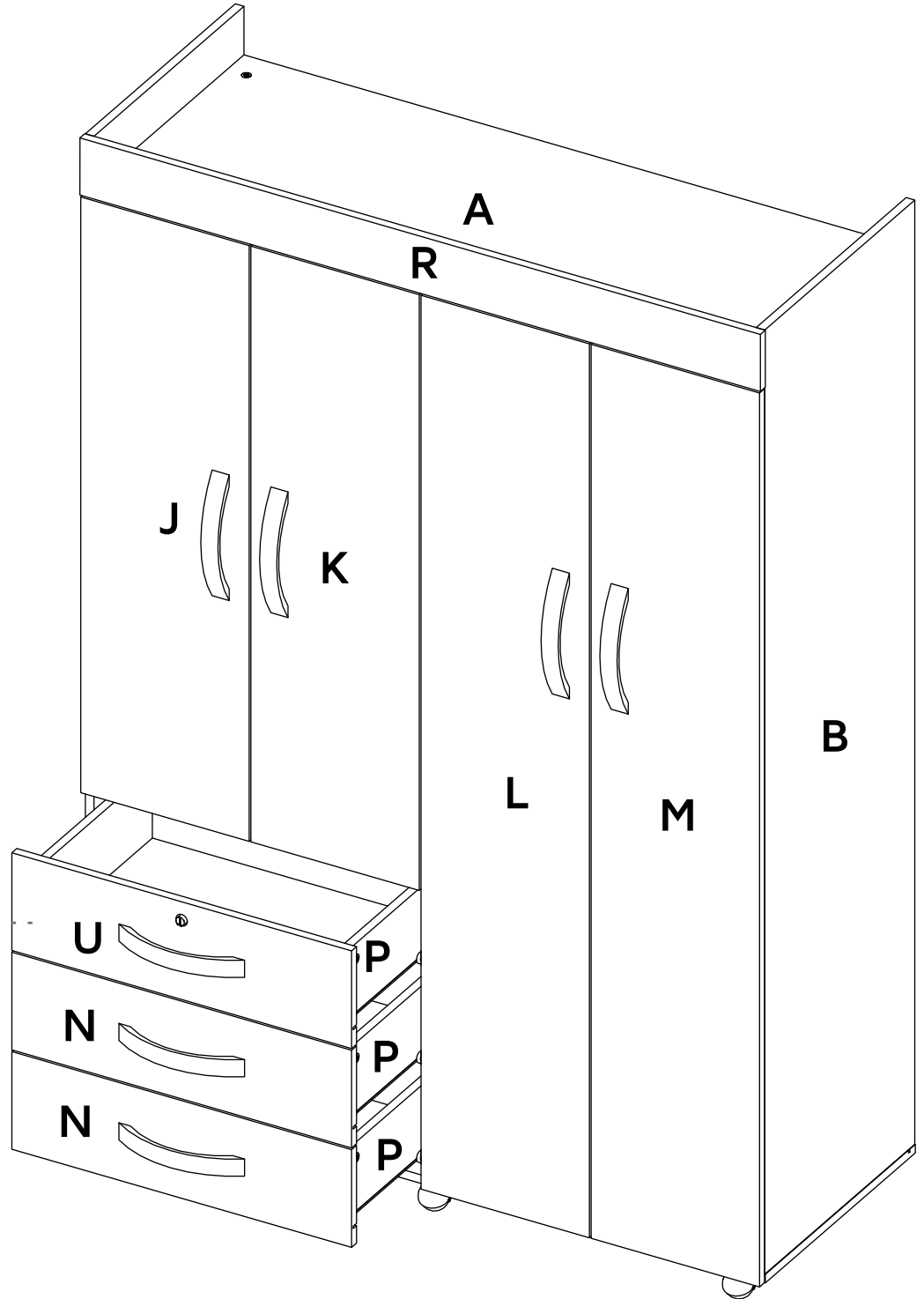


34

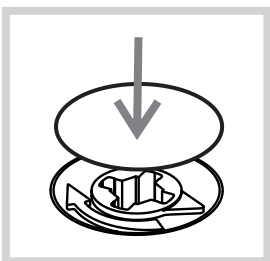


35

Drawers Installation Instalación de los Cajones

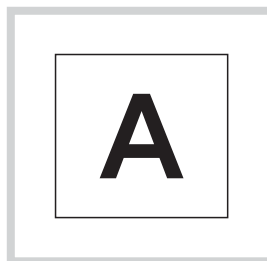


Slide the drawers
inside the cabinet.
Deslice los cajones
dentro del mueble.



After you finish the adjustment
of the cams, cover them with
the cover caps.

Después de ajustar todas las
cajas minifix, cúbralas con las
tapas adhesivas.



After you finish assembling the
cabinet, take off the adhesive
letters.

Al terminar de armar, desprenda
las letras adhesivas.

TUHOME Furniture has a 3 year warranty coverage in wooden parts and 1 year warranty coverage in hardware pieces since its manufacturing date, which you can see in the lot number printed on the product box and the assembly instructions leaflet.

Warranty covers materials and workmanship imperfections which impair the assembly or correct functioning of the cabinet.

This warranty is not valid if the defects or imperfections are caused by the incorrect following of the assembly instructions, warnings and recommendations, misuse, intentional damage, fire or flood, or after modifications or any kind of alteration, or repaired by someone not authorized by TUHOME Furniture, when it's been assembled 3 months after the date of purchase. These defects MUST be reported before the warranty coverage period ends. Once the product has been assembled, the company will not be responsible for defective and/or damaged parts.

This warranty is ONLY valid for the ORIGINAL PURCHASER, it doesn't apply if the product has been resold, rented, etc.

TUHOME Furniture will take no liability for incidental or consequential damages caused to or by the product (This may not apply in your state).

To make this warranty valid you must write to our customer service email describing the product defect, lot number and submitting your sales receipt or proof of purchase, or contact us at our customer service line. Replaced parts will be under the product's original warranty coverage period. Damaged parts will become property of the company.

There are no other warranties applicable to this product.

**IF ANY PARTS ARE BROKEN OR
MISSING PLEASE CONTACT US**
AT: 1-888-391-01-66 /
customerservicetuhome@rta.com.co
**OUR CUSTOMER SERVICE TEAM WILL PROVIDE
YOU HELP TO RESOLVE ANY ISSUES IMMEDIATELY**