

Height: 73,42 in    Alto: 186,5 cm  
Width: 118,11 in    Ancho: 300 cm  
Depth: 16,33 in    Fondo: 41.5 cm

LOT N°

REF./SKU.CLW 5362

IF ANY PARTS ARE BROKEN OR MISSING PLEASE  
CONTACT US AT: 1-888-391-01-66 /  
customerservicetuhome@rta.com.co  
OUR CUSTOMER SERVICE TEAM WILL PROVIDE  
YOU HELP TO RESOLVE ANY ISSUES IMMEDIATELY

**1 DRAWER PLEGO CLOSET**  
Closet Plego 1 cajón



## IMPORTANT RECOMMENDATIONS

Do not paint the cabinet.

The cabinet **MUST** be used exclusively indoors, do not expose to direct sun.

Clean metallic hardware with a dry cloth.

Do **NOT** overload the cabinet (see suggested loads).

Do not hit or hammer the cabinet (just when indicated).

Clean with a slightly damp cloth, use gentle soaps.

Do not drag, lift and move between two people.

Avoid direct contact with water, fire or exposure to heat sources.

## RECOMENDACIONES IMPORTANTES

No pintar el mueble.

El mueble debe ser usado únicamente en interiores, no exponer al sol directo.

Limpiar los herrajes metálicos con un paño seco.

**NO** sobrecargar el mueble (ver las cargas sugeridas).

No golpear ni martillar el mueble (solo cuando se indique).

Limpiar con un paño ligeramente húmedo, usar jabones suaves.

No arrastre el mueble, levántelo entre dos personas.

Evite el contacto directo con el agua, el fuego o la exposición a fuentes de calor.



### WARNING

Never allow children to climb or manipulate the cabinet, furniture tip over can cause serious injuries or death.



### ADVERTENCIA

Nunca permita que los niños escalen o manipulen el mueble, la caída de este puede provocar lesiones graves o la muerte.

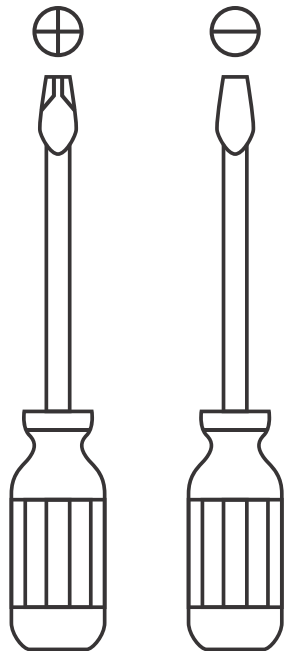
# INDEX

Assembly Hardware.....	4
Assembly Parts.....	5
Suggested Loads.....	6
Assembly Recommendations.....	6
Assembly Steps.....	7-26
Warranty.....	27

# ÍNDICE

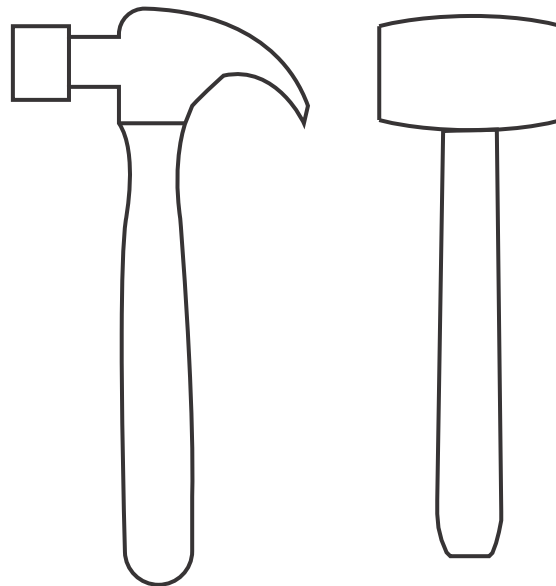
Herrajes para Armado.....	4
Piezas de Armado.....	5
Cargas Sugeridas.....	6
Recomendaciones de Ensamble.....	6
Pasos de Armado.....	7-26
Garantía.....	27

## REQUIRED TOOLS\*



\*Not included, and not shown actual size.

## HERRAMIENTAS NECESARIAS\*



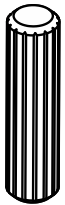
\*No incluidas y no se muestran en tamaño real.

# ASSEMBLY HARDWARE

# HERRAJES PARA ARMADO

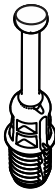
Please check that the hardware content is correct. If any item is missing, please call to our customer service line.

Compruebe que el contenido de los herrajes sea el correcto. En caso de que falte alguna pieza, por favor llame a nuestra línea de atención al cliente.



**x46**

Wood Dowel  
Tarugo



**x33**

Spreading Bolt  
Perno Minifix



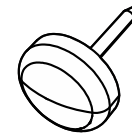
**x33**

Minifix Cams  
Minifix



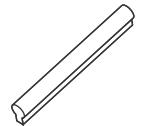
**x40**

Cover Caps  
Color 1  
Tapa Adhesiva  
Minifix Color 1



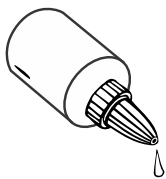
**x6**

Nail-on Glide  
Deslizador Puntilla



**x1**

Handle  
(screws included)  
Manija  
(incluye tornillos)



**x2**

Glue  
Pegante



**x32**

Sheet Metal Screw  
Tornillo Lamina



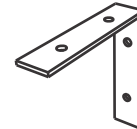
**x4**

Drywall Screw  
Tornillo de  
Ensamble 2"



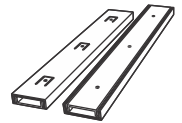
**x6**

Drywall Screw  
Tornillo de  
Ensamble 1 1/8"



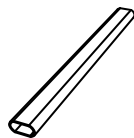
**x12**

Wide Brace  
Platina en ángulo L



**x1**

Drawer Slides  
(Screws included)  
Riel  
(Incluye tornillos)



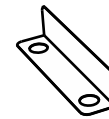
**x3**

Closet Rod  
Tubo Ovalado



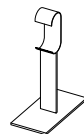
**x6**

Rod Support  
Soporte Tubo



**x1**

Platinum Lock  
Platina Cerradura



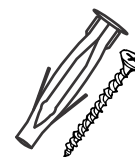
**x2**

Roof Rod Support  
+ Screws  
Soporte Tubo  
Ovalado para Techo  
+ Tornillos



**x1**

Lock with Key  
Cerradura de  
Incrustar  
(incluye llaves)



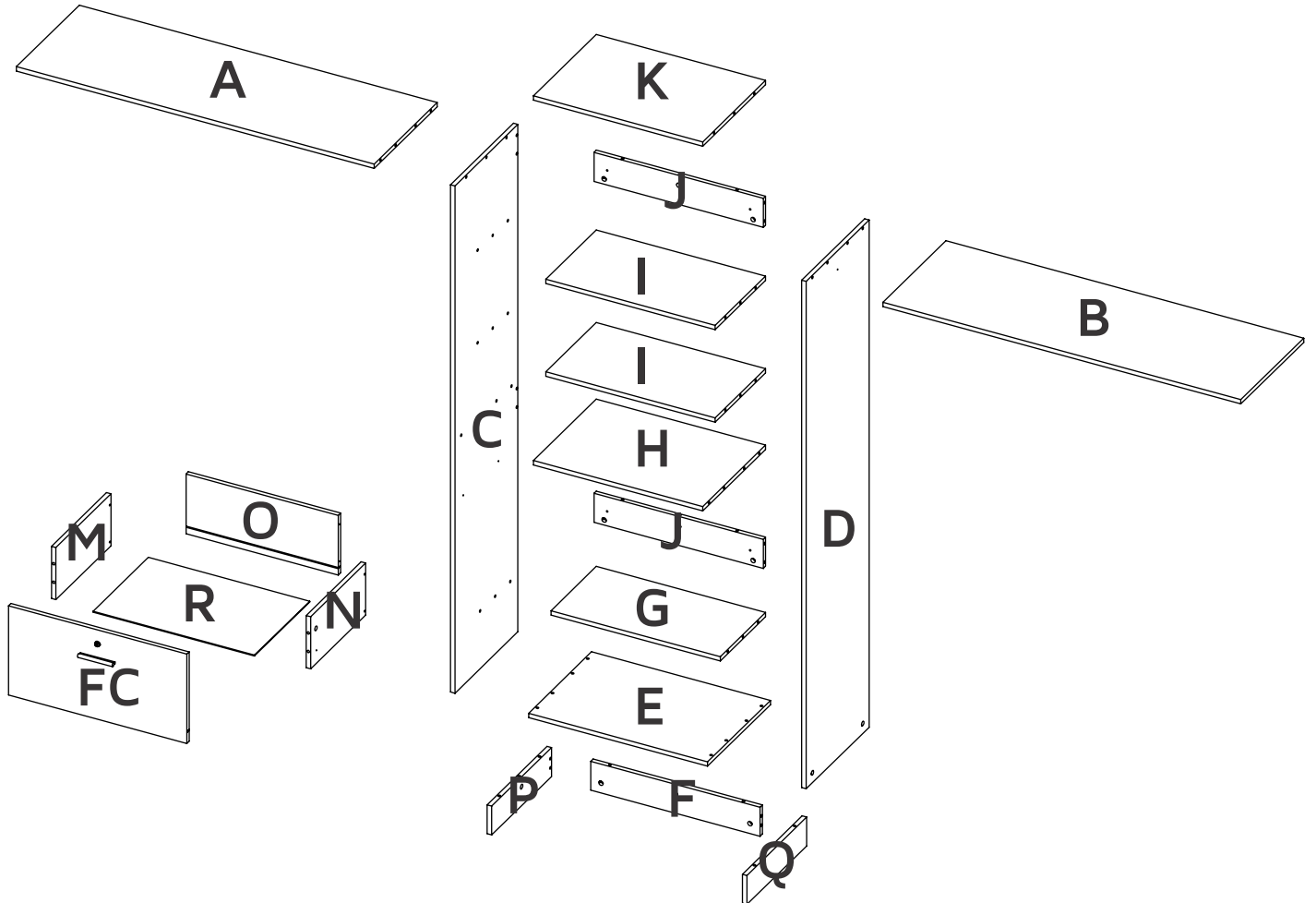
**x34**

Drywall Screw+  
Wall Anchor  
Chazo Mariposa+  
Tornillo Ensamble

Hardware items are NOT shown actual size.  
Los herrajes no se muestran el tamaño real.

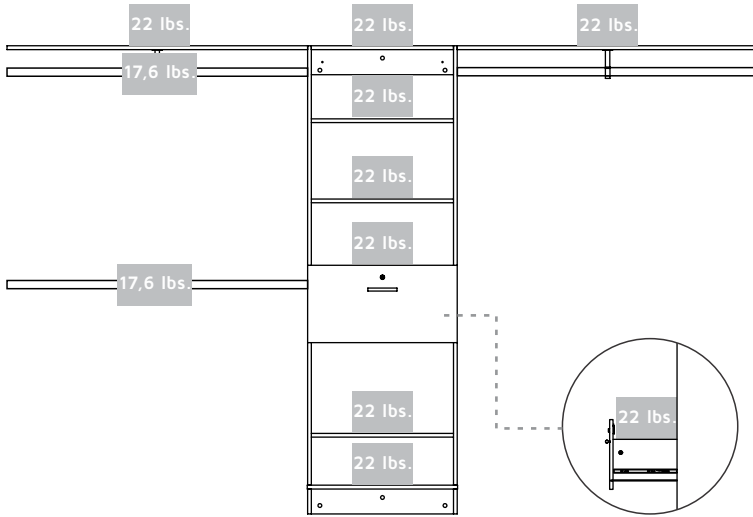
# ASSEMBLY PARTS

# PIEZAS DE ARMADO

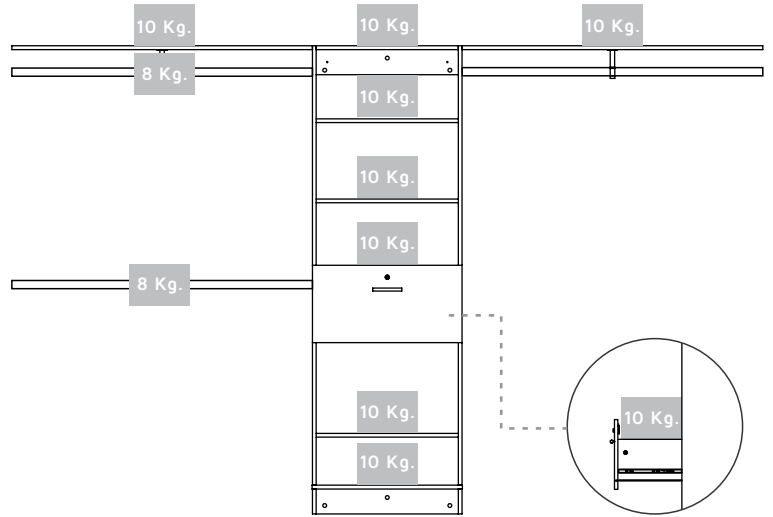


A - x1	G - x1	M - x1
B - x1	H - x1	N - x1
C - x1	I - x2	O - x1
D - x1	J - x2	P - x1
E - x1	K - x1	Q - x1
F - x1	FC - x1	R - x1

## MAX SUGGESTED LOADS



## CARGAS MÁXIMAS SUGERIDAS



## ASSEMBLY RECOMMENDATIONS

Two people are recommended to assemble the product.

Assemble the cabinet on a flat, smooth surface, preferably on a carpeted floor or the carton box of the product.

Carefully read the assembly instructions and identify every wood and hardware part before start assembling the cabinet.

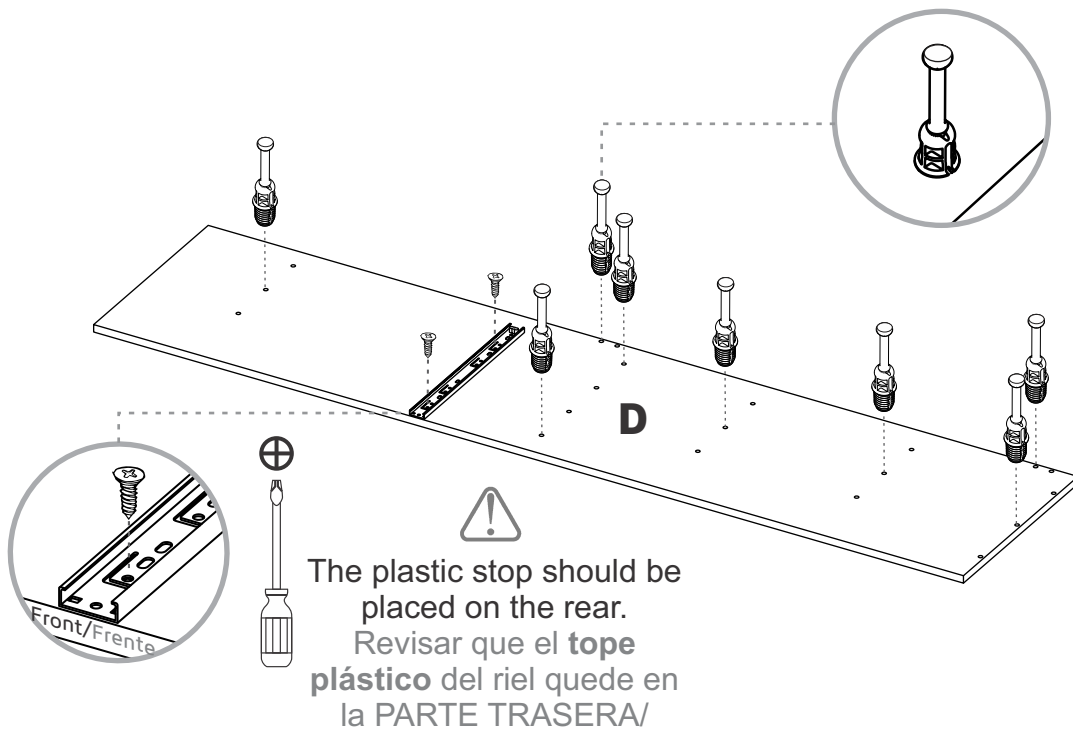
## RECOMENDACIONES DE ENSAMBLE

Ensamble el mueble entre dos personas.

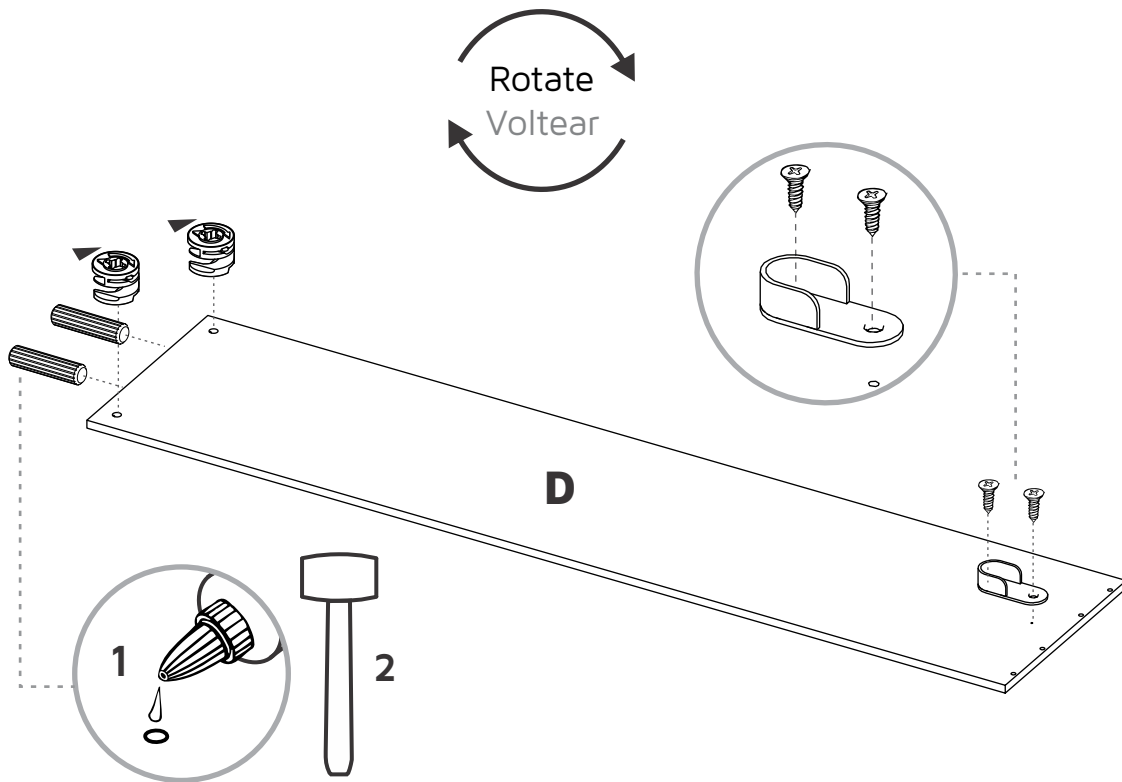
Ensamble el mueble sobre una superficie plana y lisa, preferiblemente sobre un tapete o el cartón de la caja

Lea cuidadosamente las instrucciones e identifique todas las piezas y herrajes antes de empezar a armar el mueble.

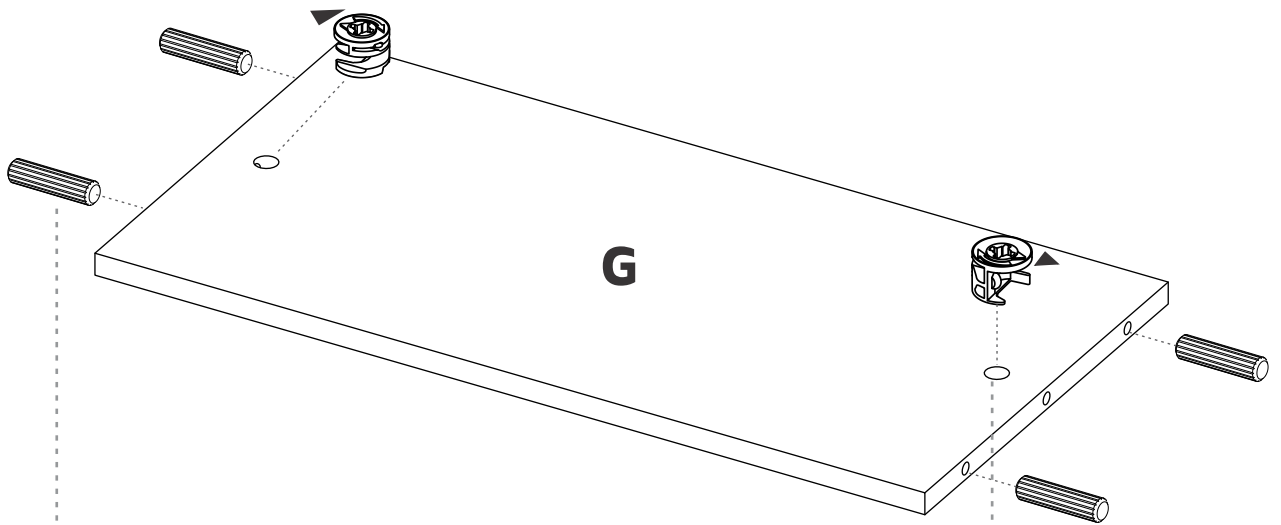
1



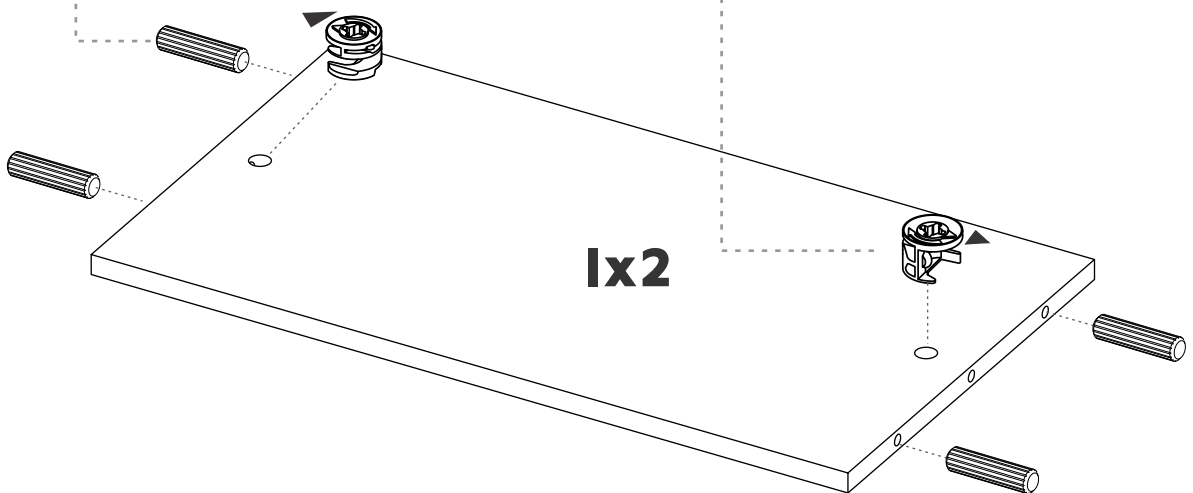
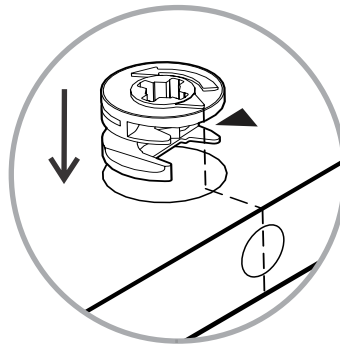
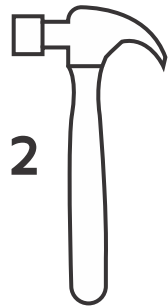
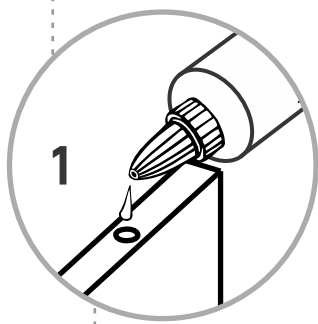
2



3

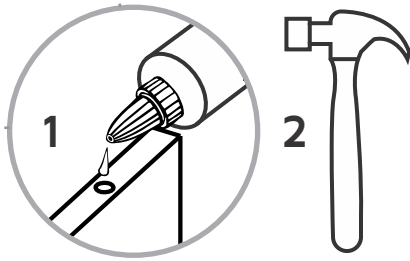
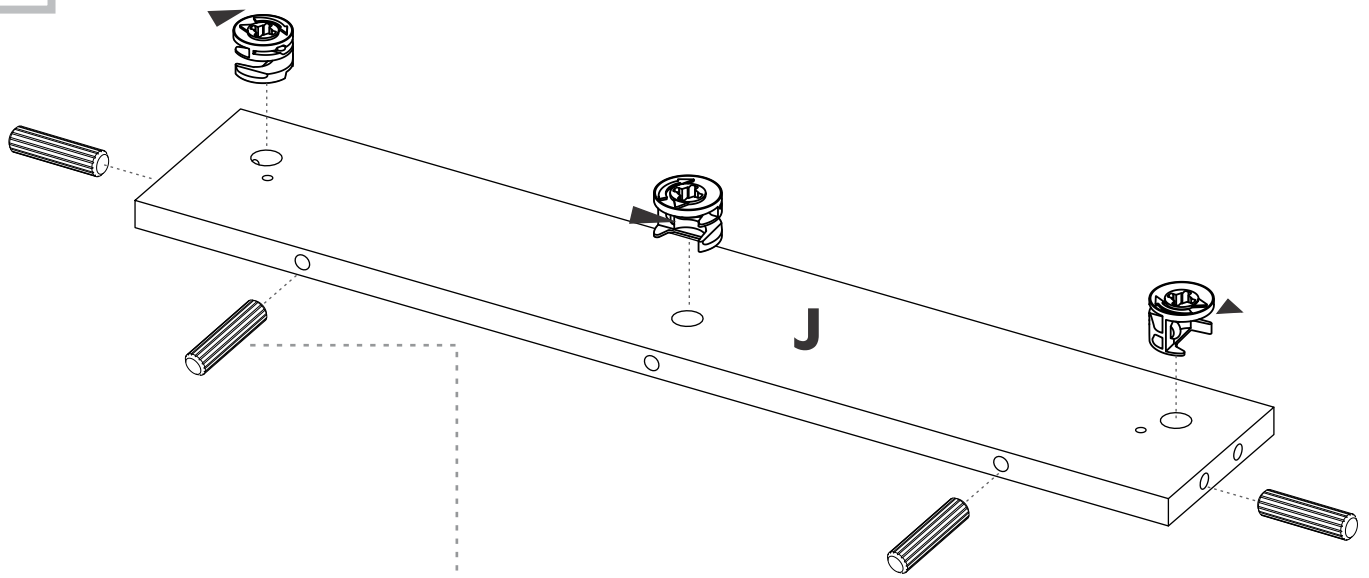


4

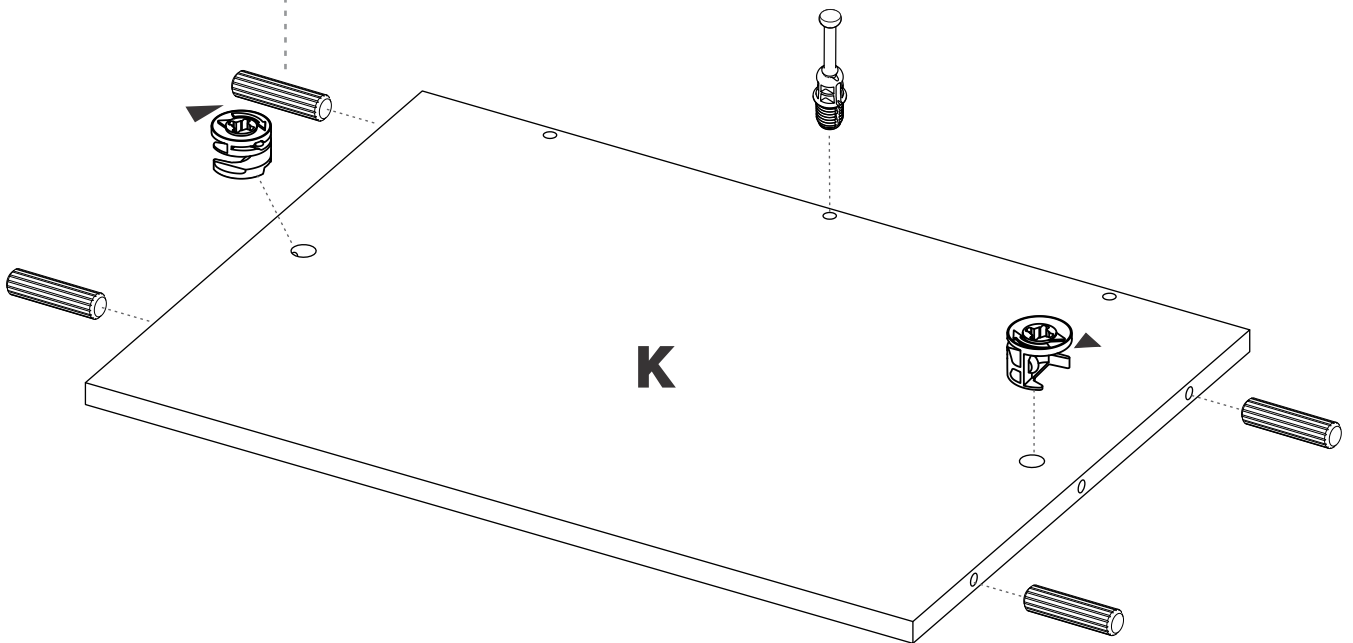




5

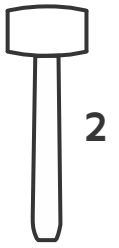
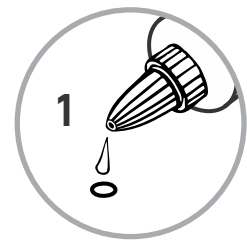
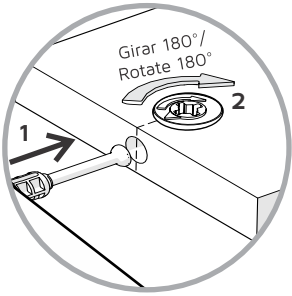


6

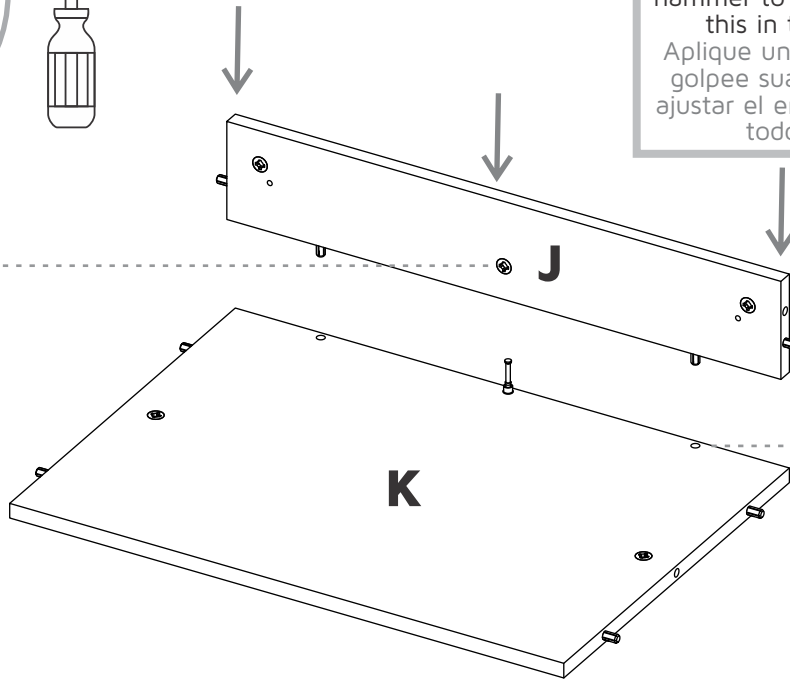


7

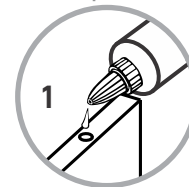
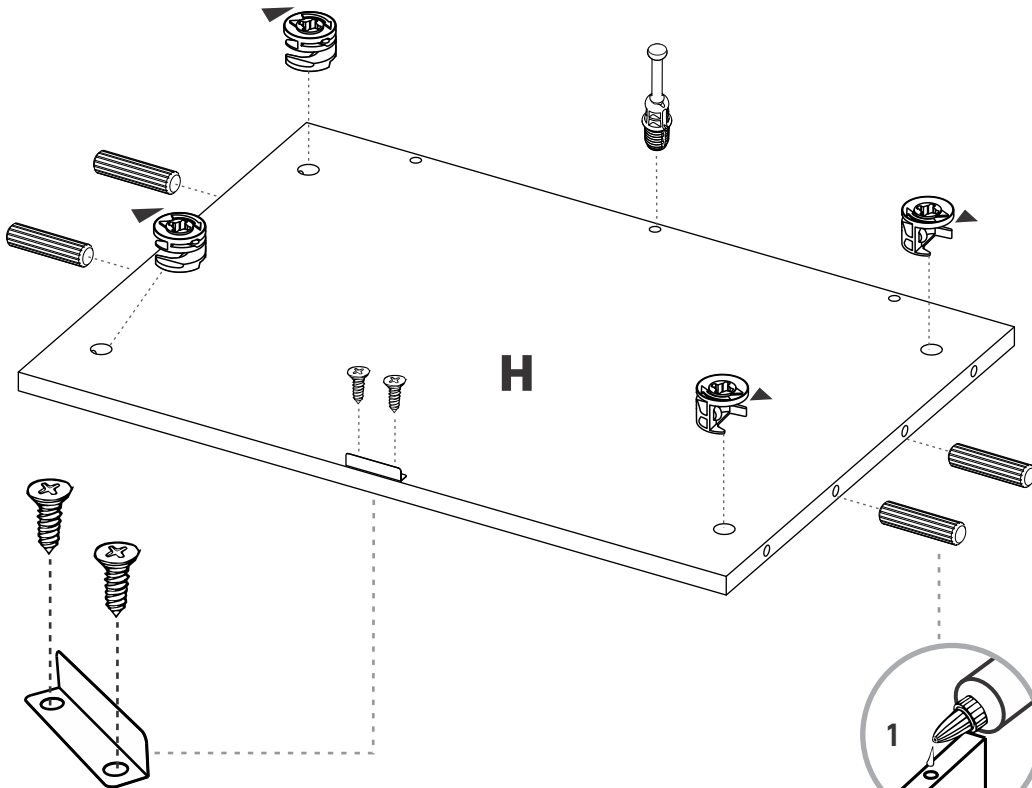
Rotate to tighten.  
Gire para apretar.



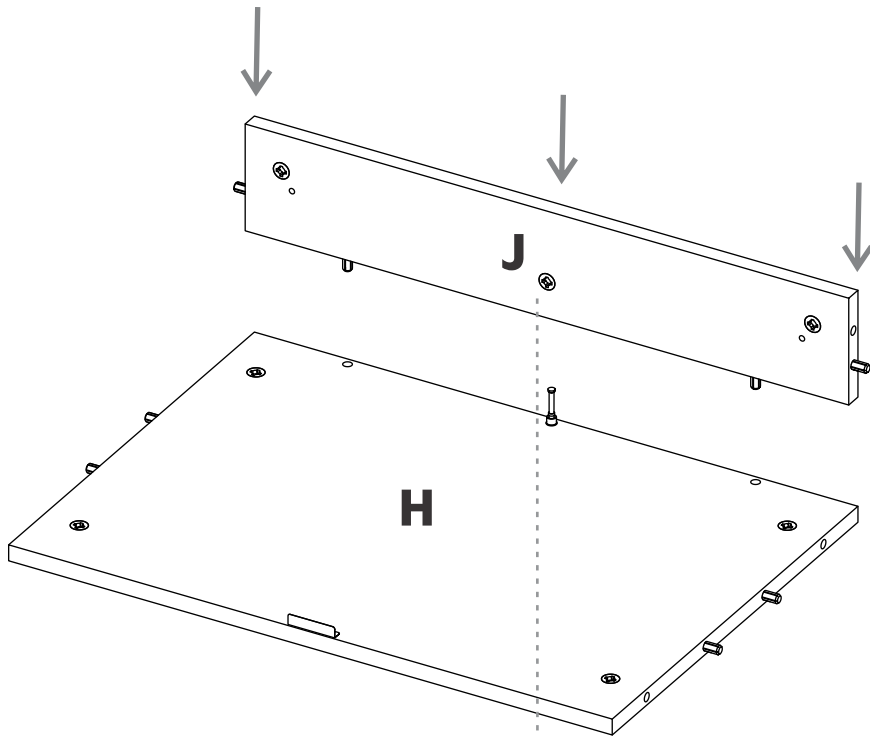
Gently hit the pieces with a rubber hammer to adjust the joint. Repeat this in the following steps.  
 Aplique una gota de pegamento y golpee suavemente la pieza para ajustar el ensamble. Repita esto en todos los ensambles



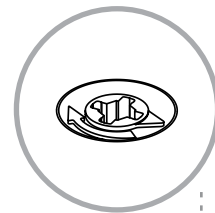
8



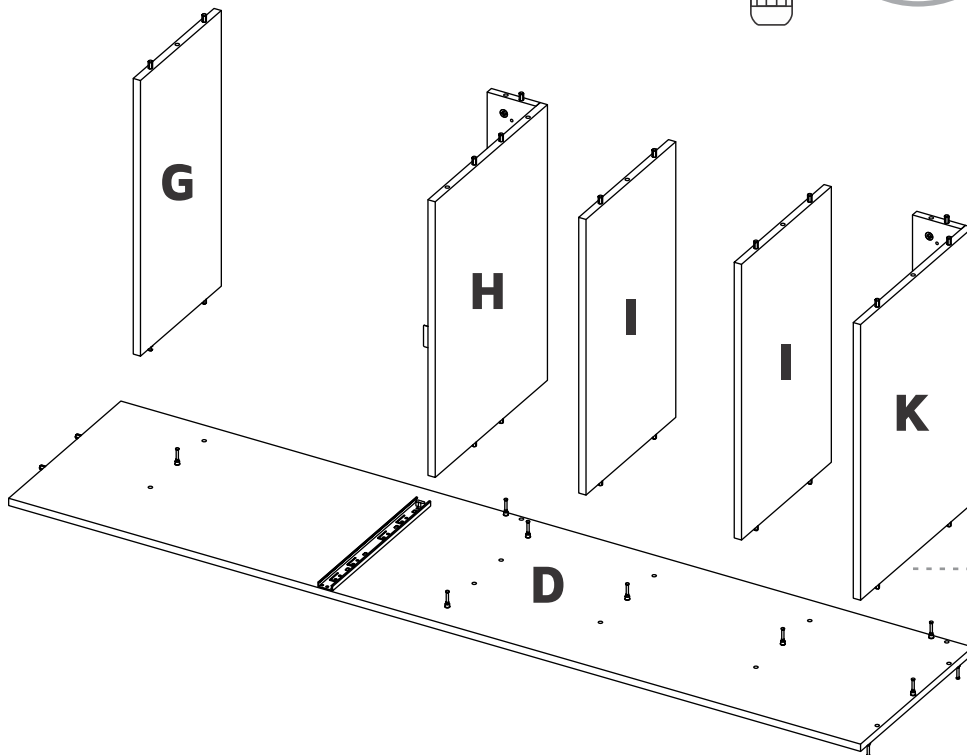
9



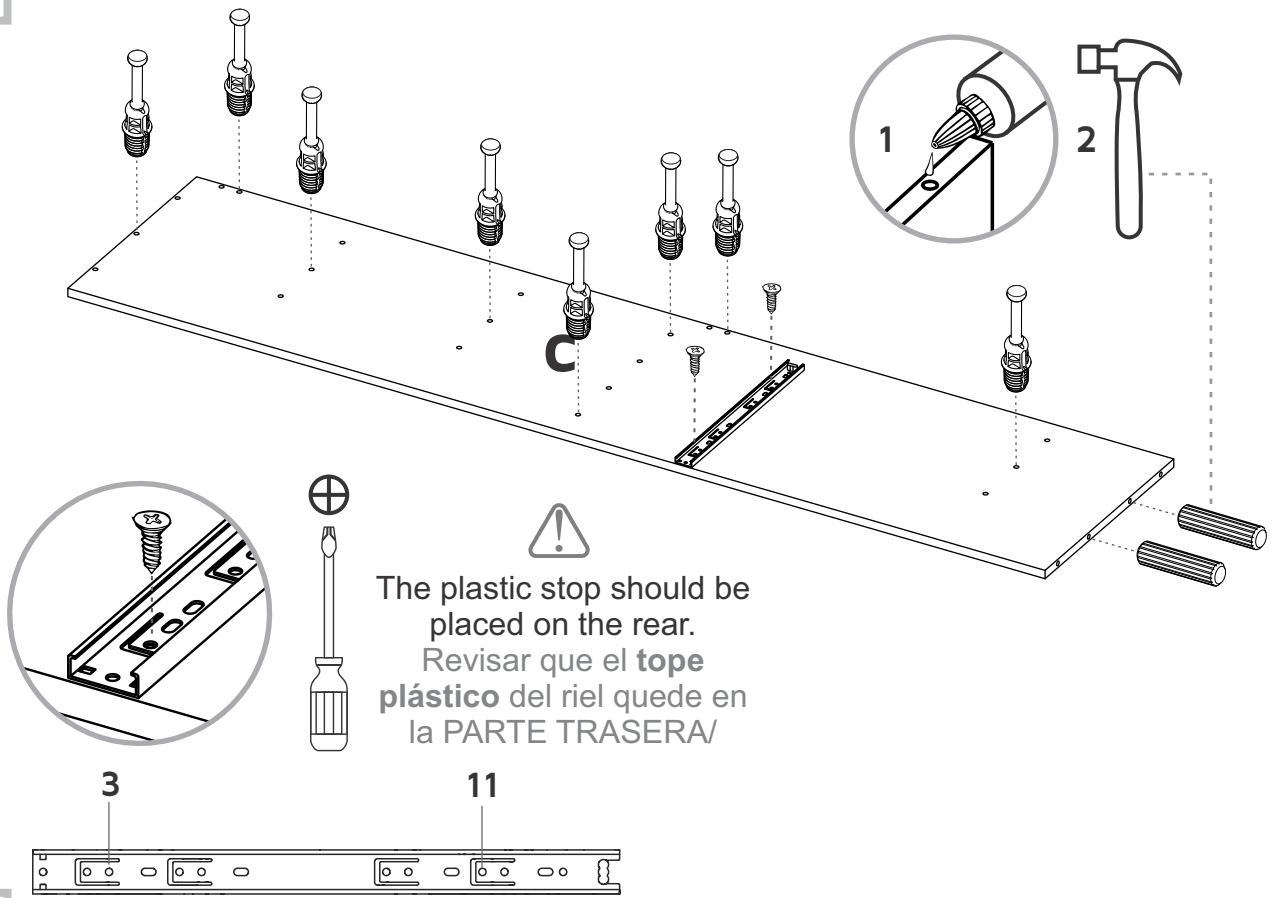
Rotate to tighten.  
Gire para apretar.



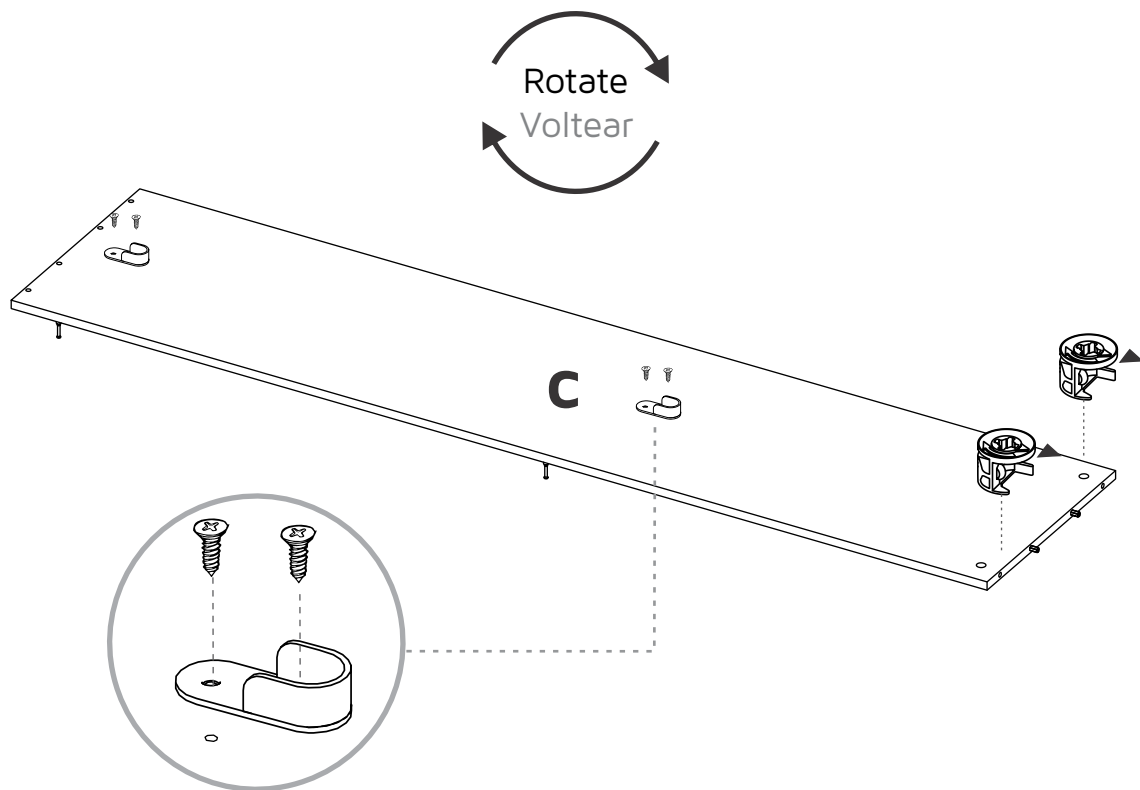
10



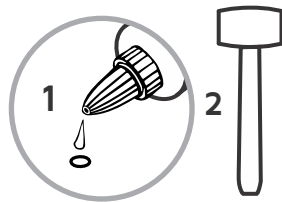
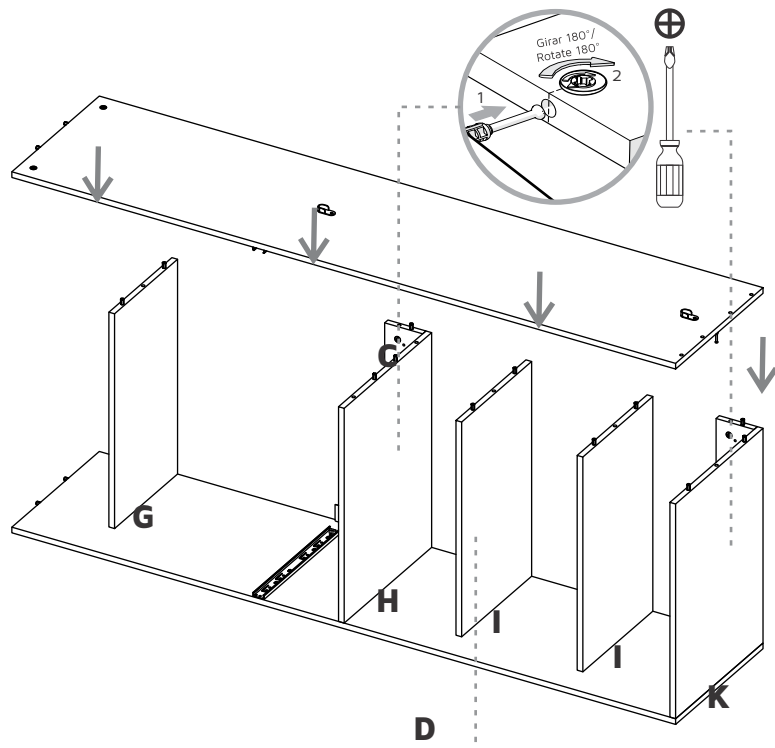
# 11



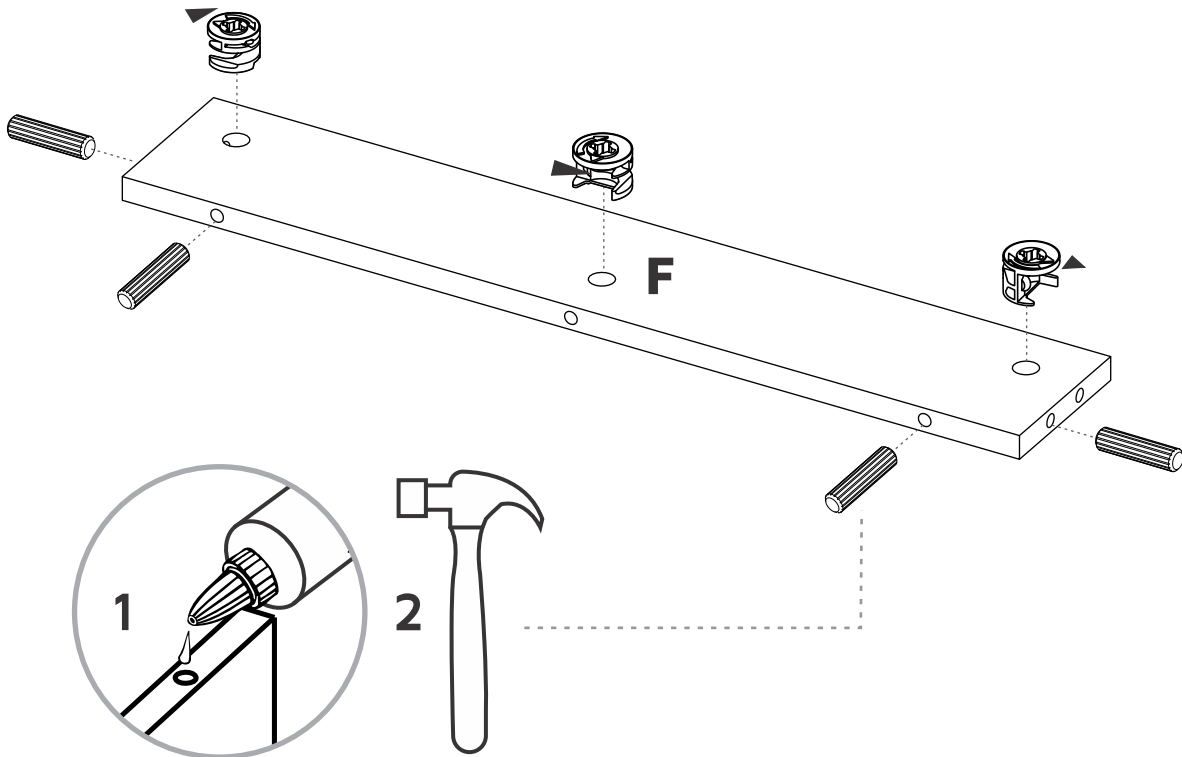
# 12



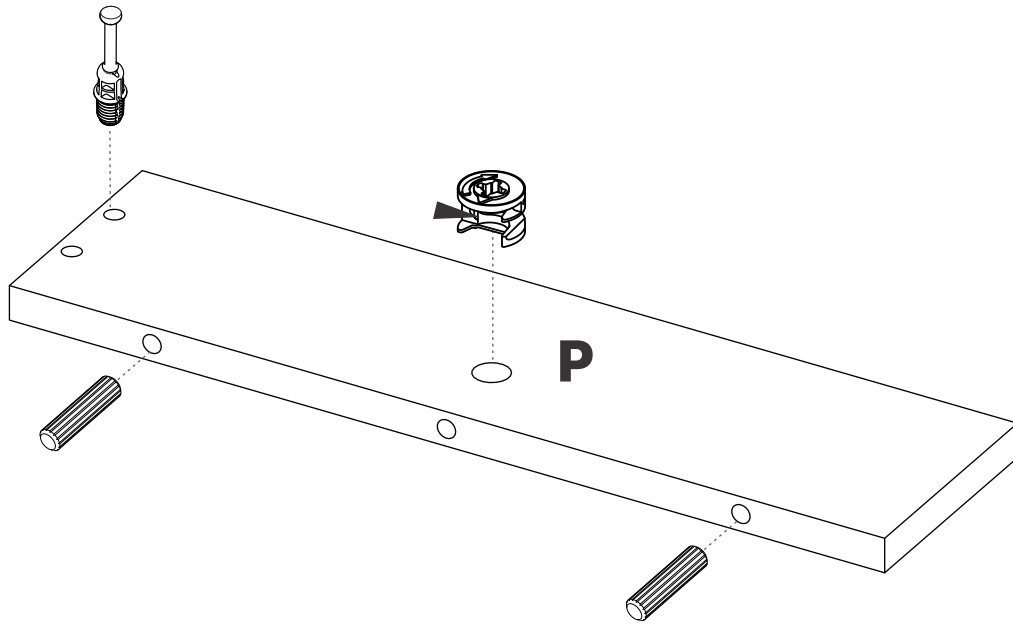
13



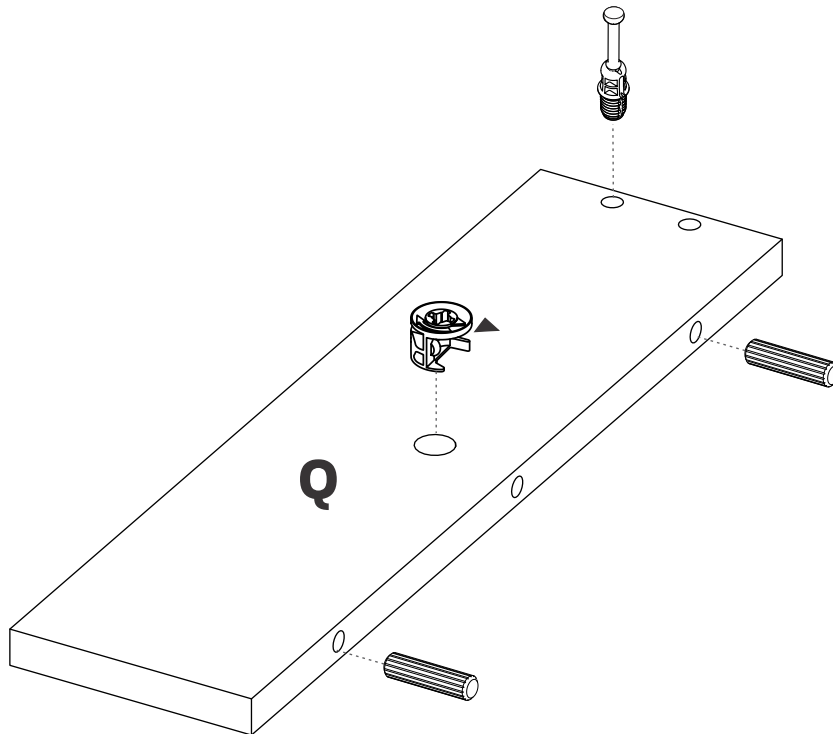
14



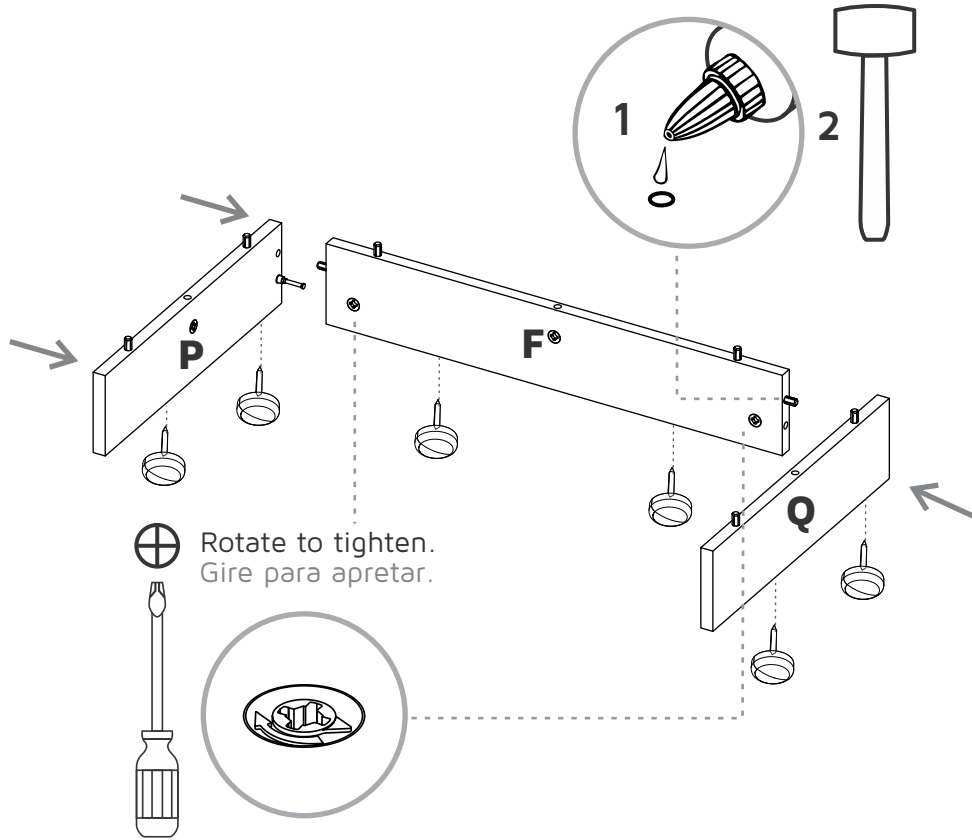
15



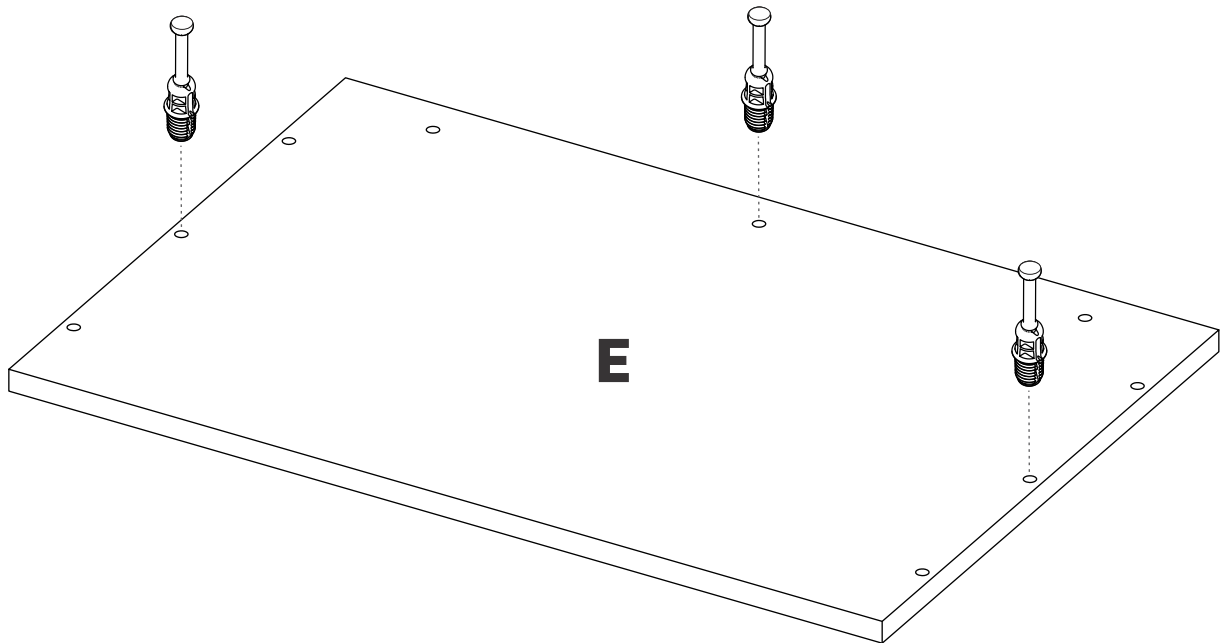
16



17

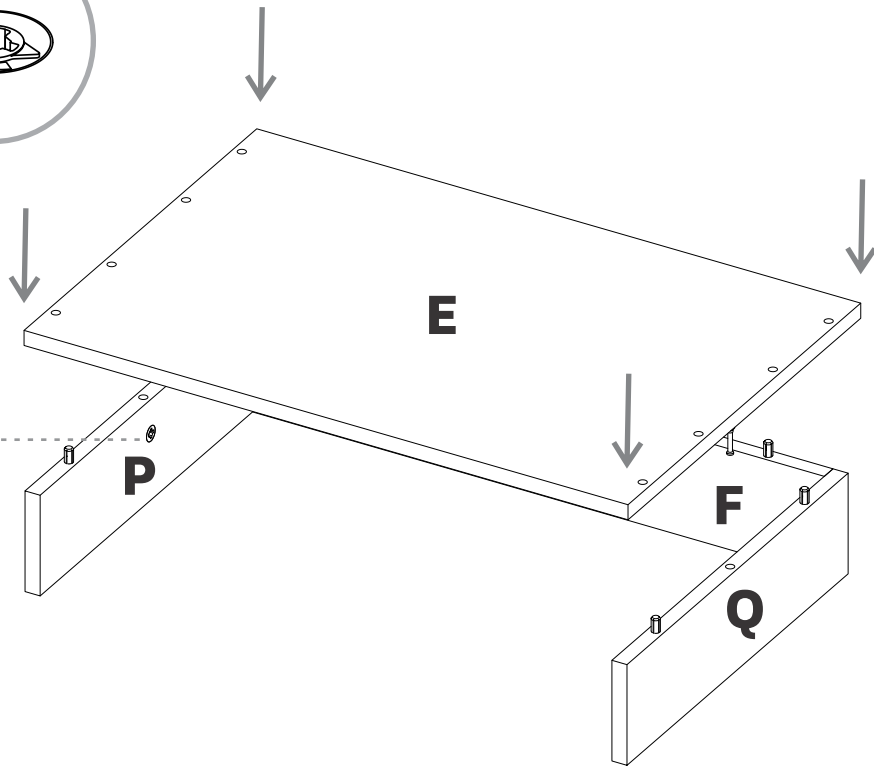
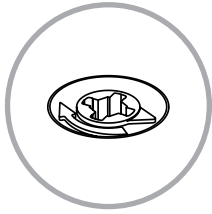


18

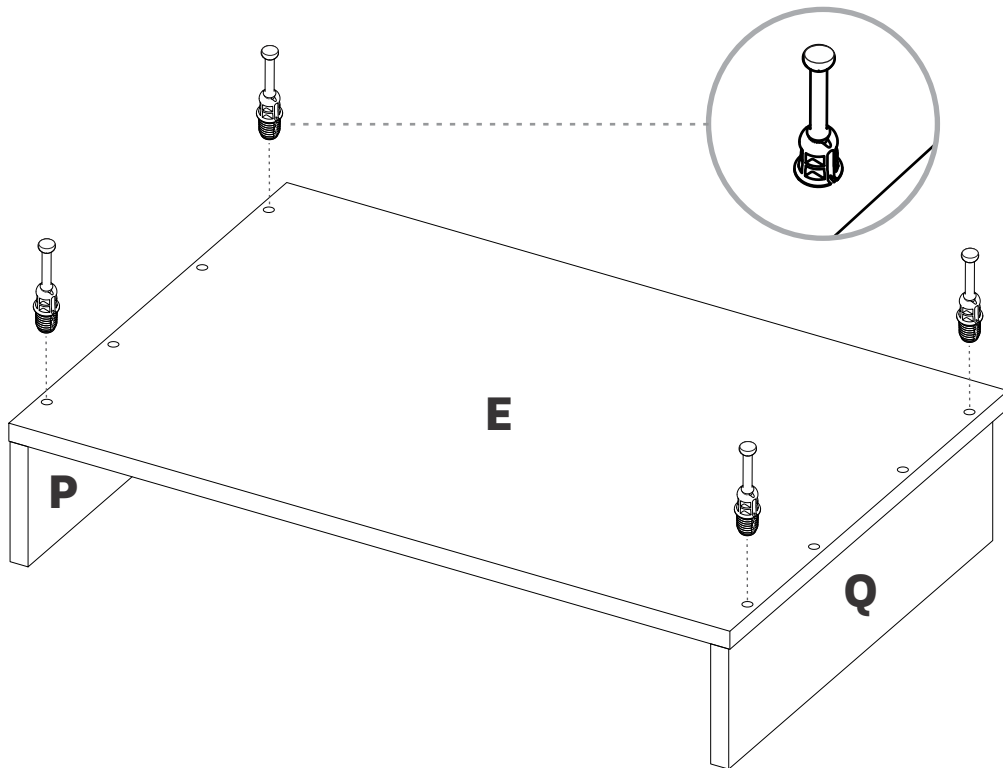


19

⊕ Rotate to tighten.  
Gire para apretar.

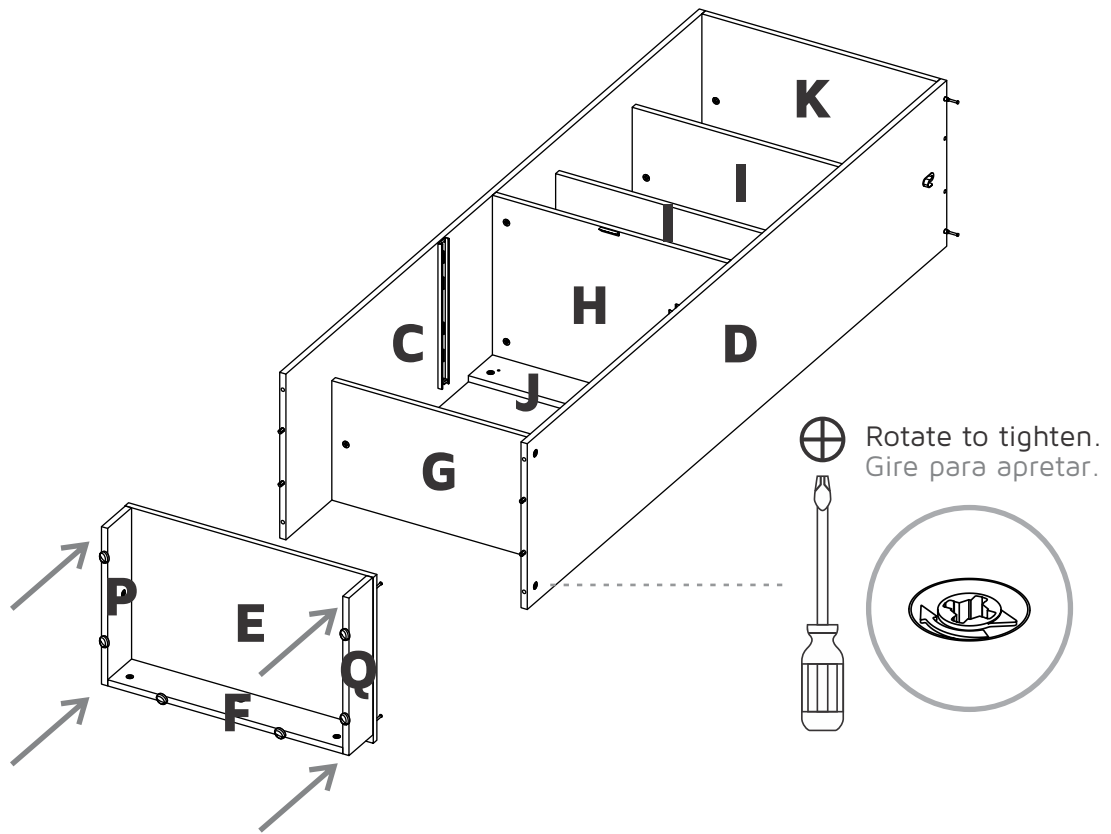


20

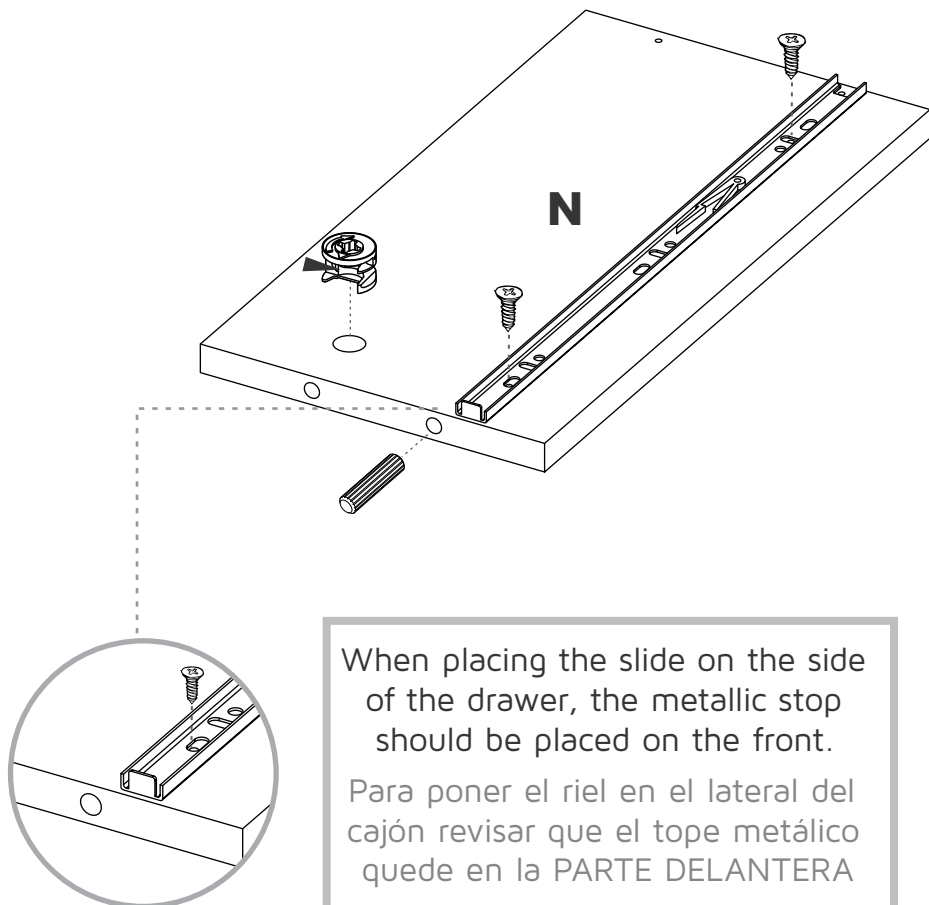




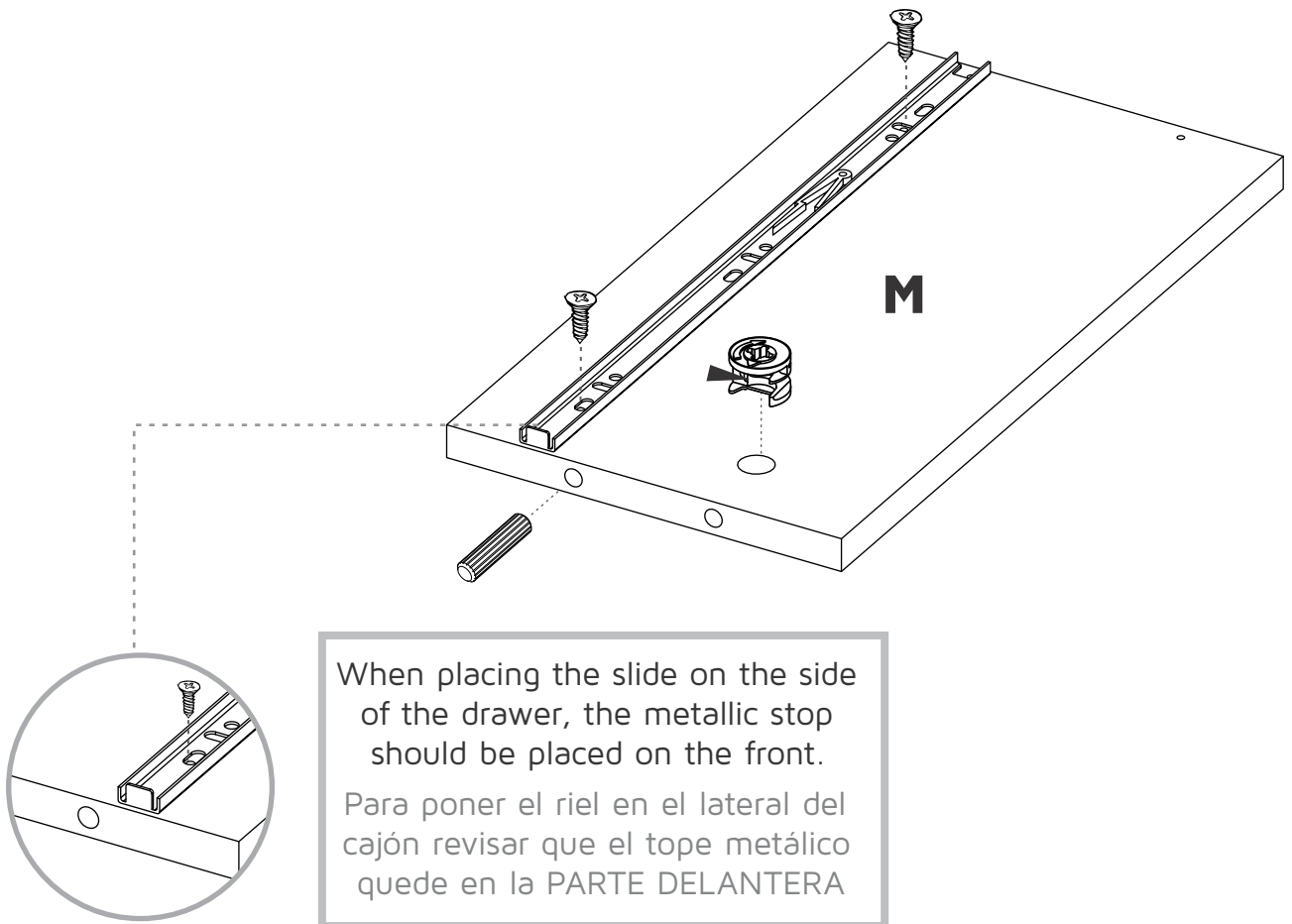
21



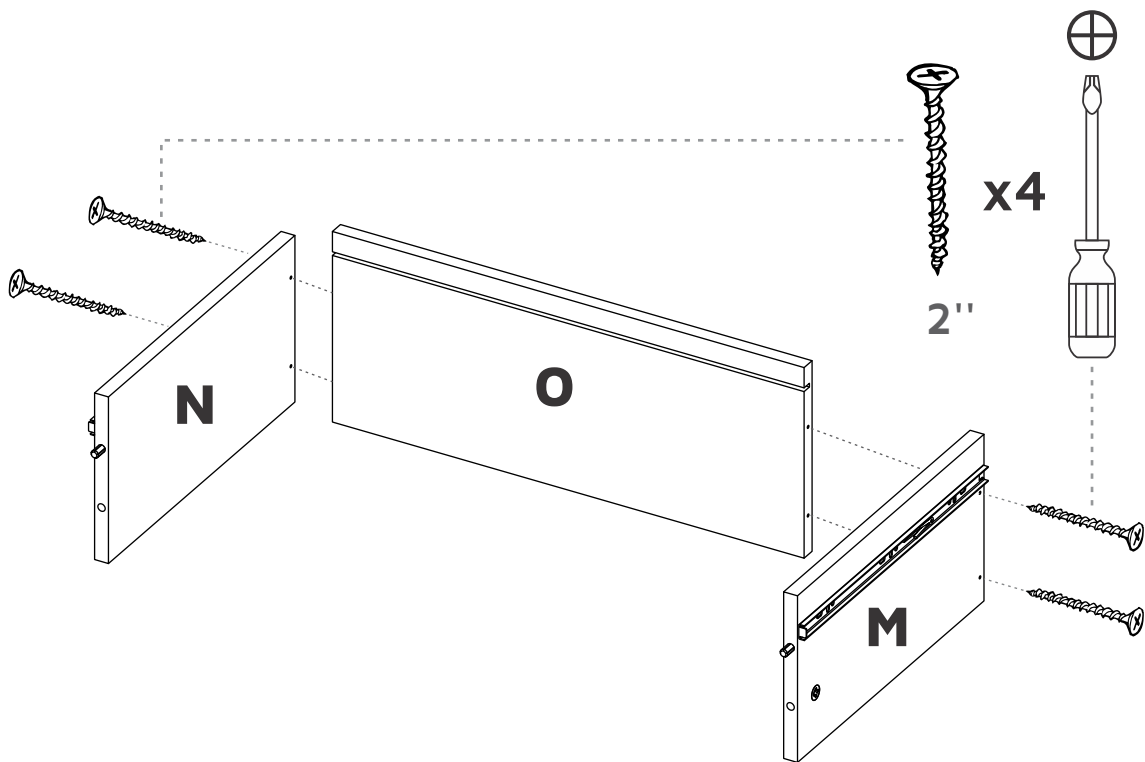
22



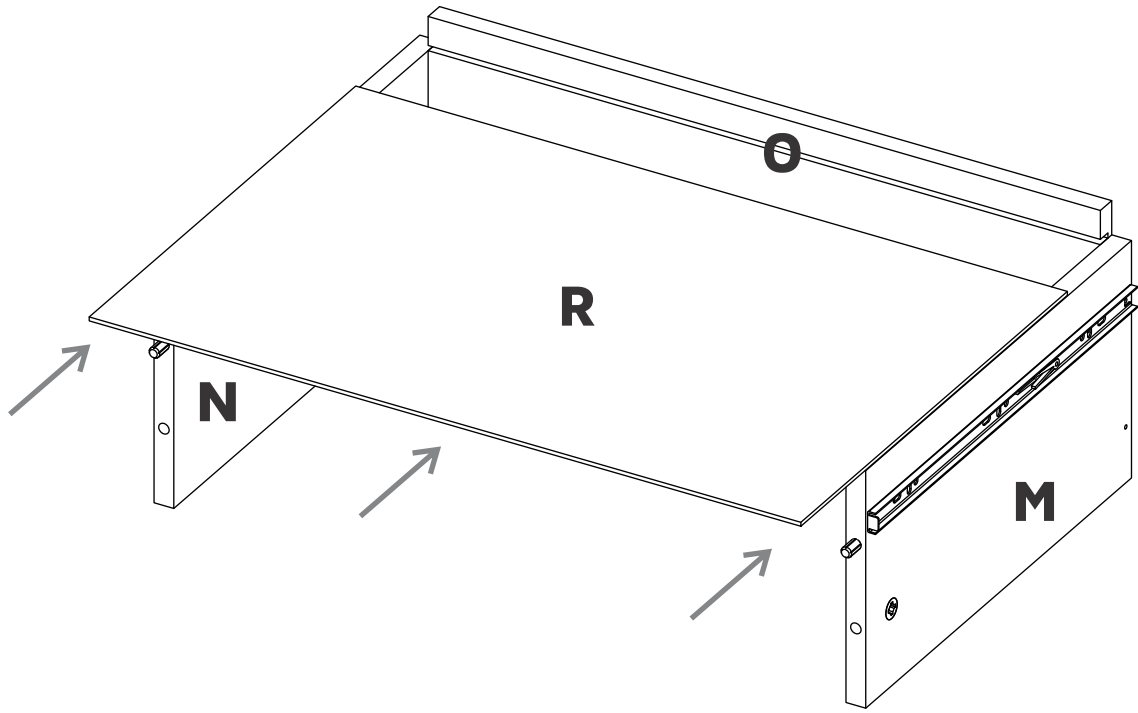
23



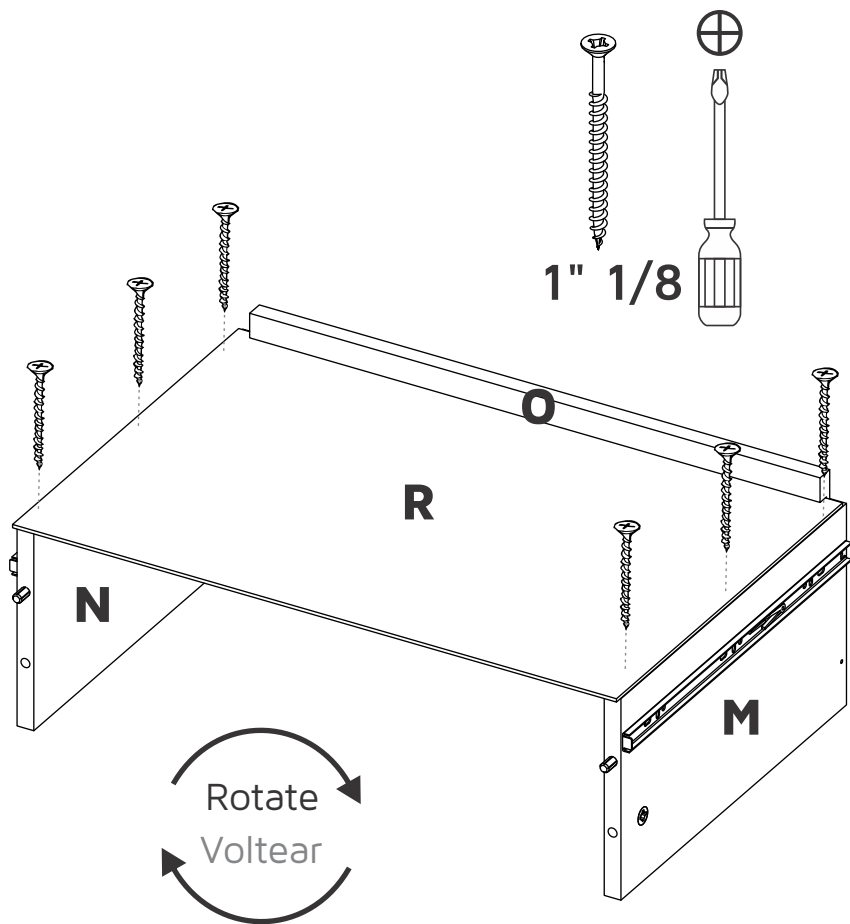
24



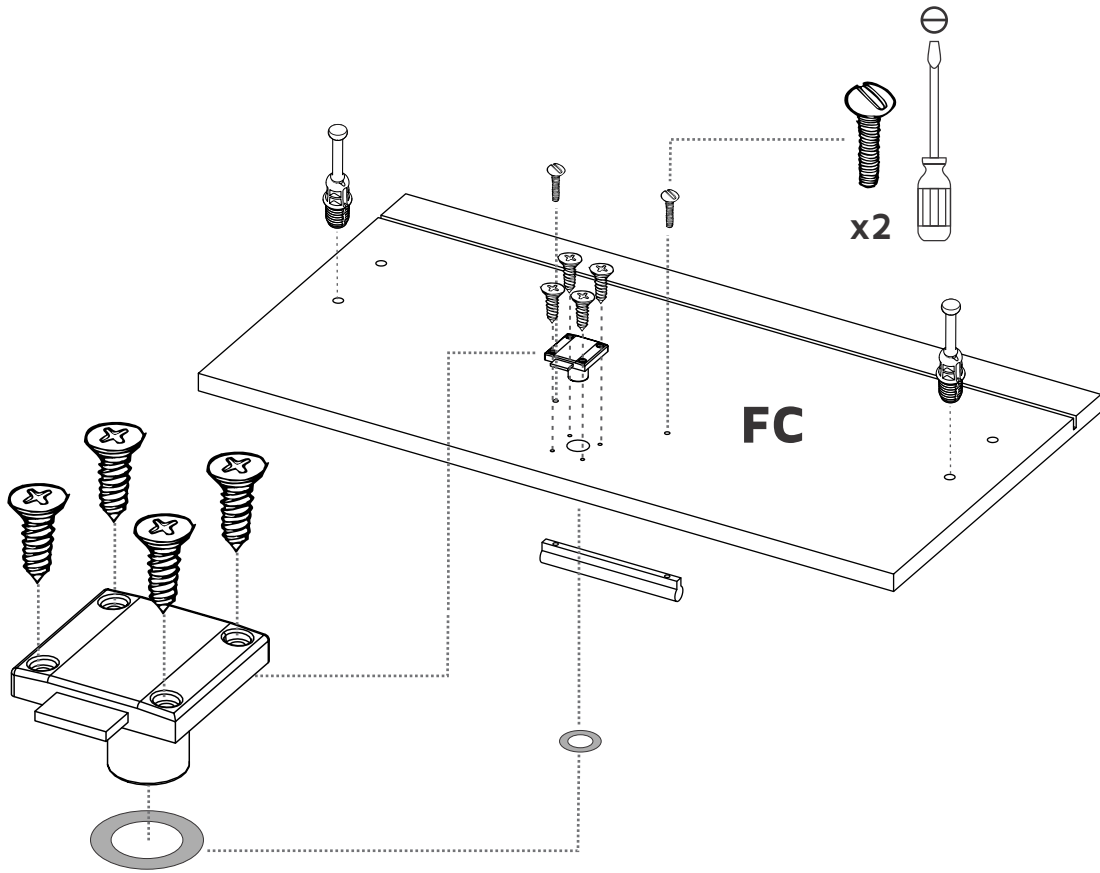
25



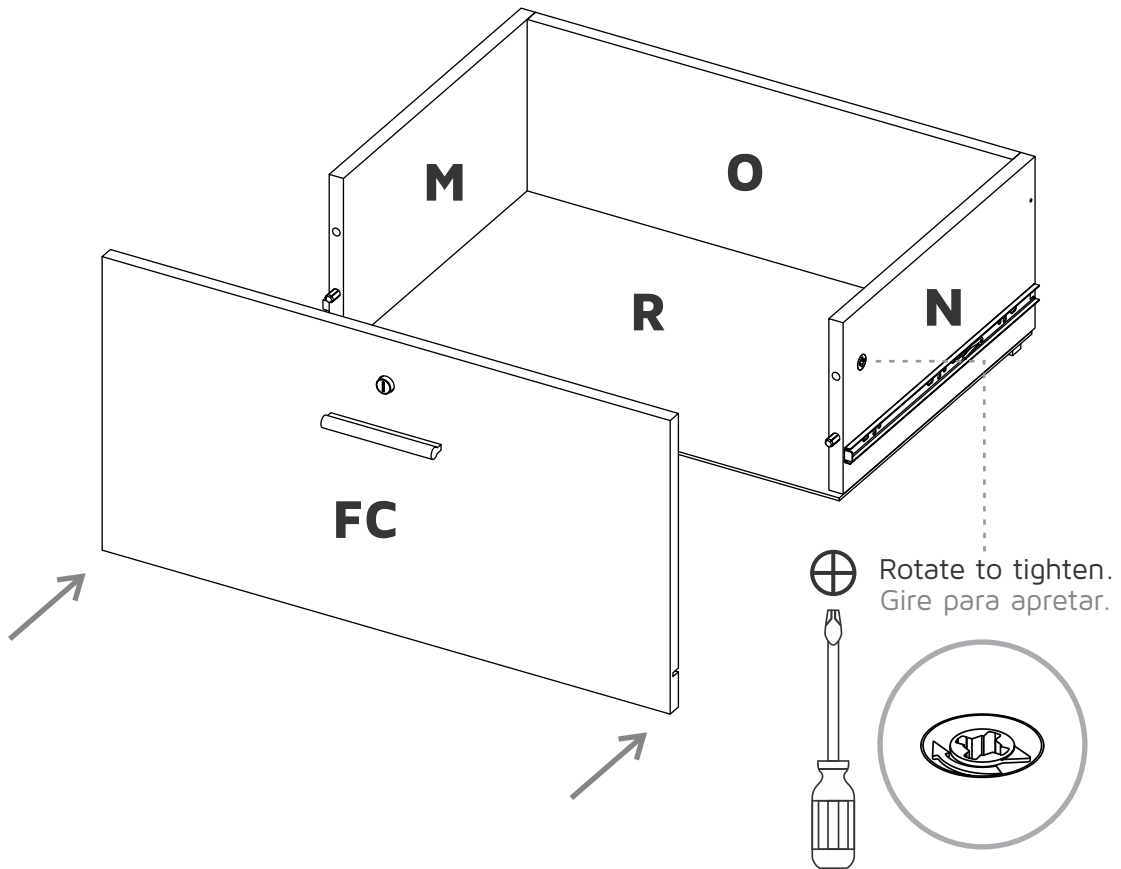
26



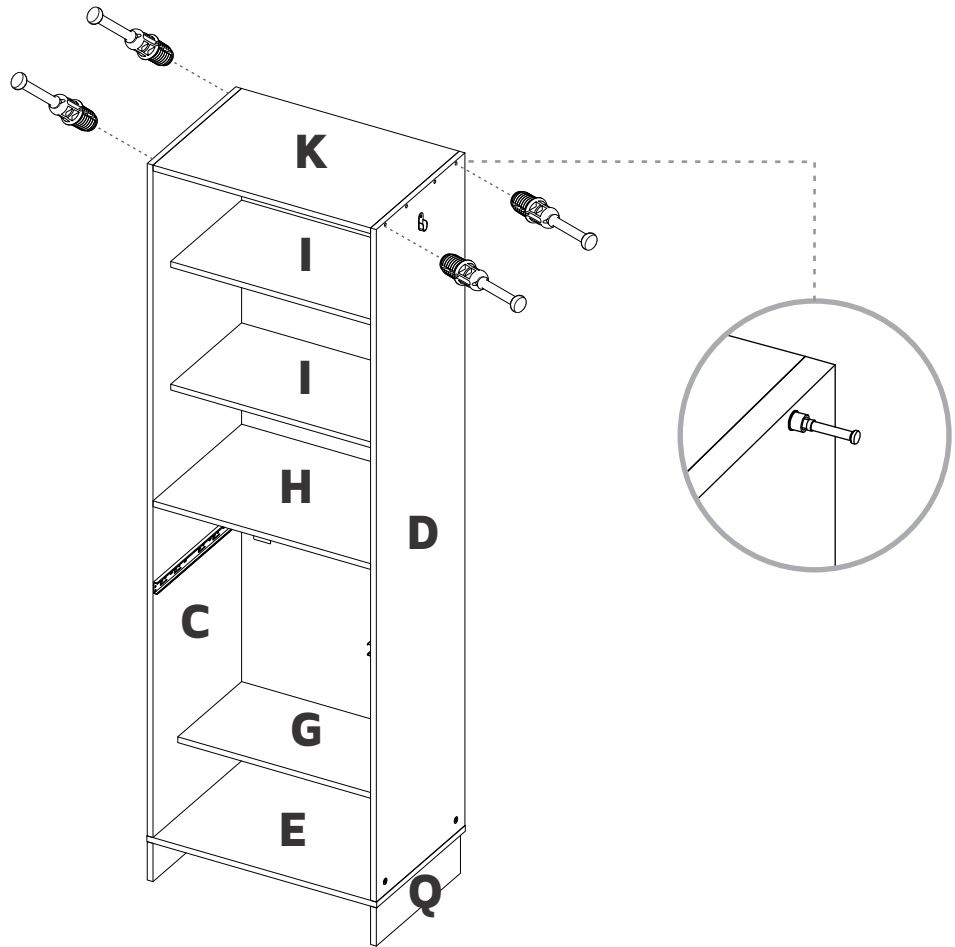
27



28



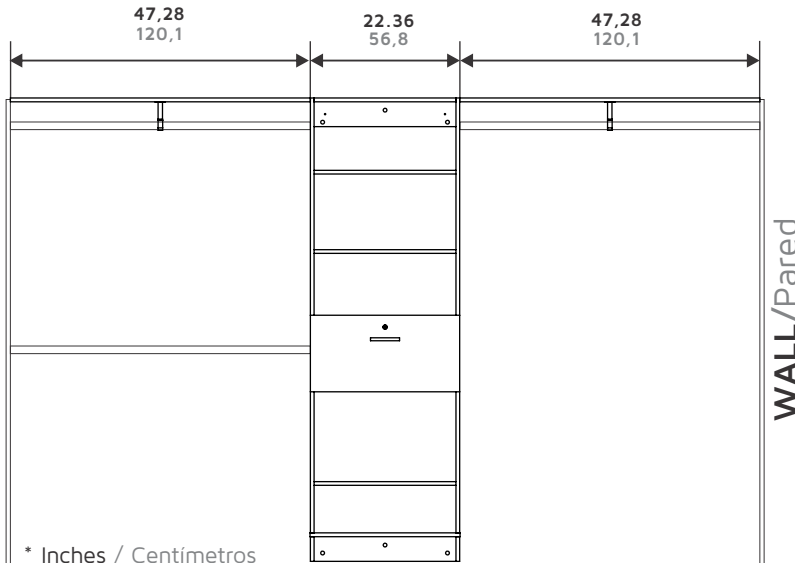
29



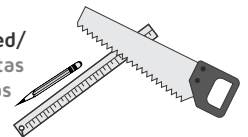
30

**BEFORE YOU CONTINUE THE ASSEMBLY, MEASURE THE SPACE WHERE YOU ARE GOING TO PUT THE CLOSET AND CUT PIECES A AND B, AND OVAL TUBES IF NECESSARY, FOR THIS TAKE AS A GUIDE THE FIGURE BELOW**  
**ANTES DE CONTINUAR CON EL ENSAMBLE, MIDA EL ESPACIO DONDE VA A PONER EL CLOSET Y CORTE LAS PIEZAS A Y B, Y LOS TUBOS OVALADOS SI ES NECESARIO, PARA ESTO TOMA COMO GUIA LA FIGURA DE ABAJO/**

\* Total Measures/ Medidas Totales

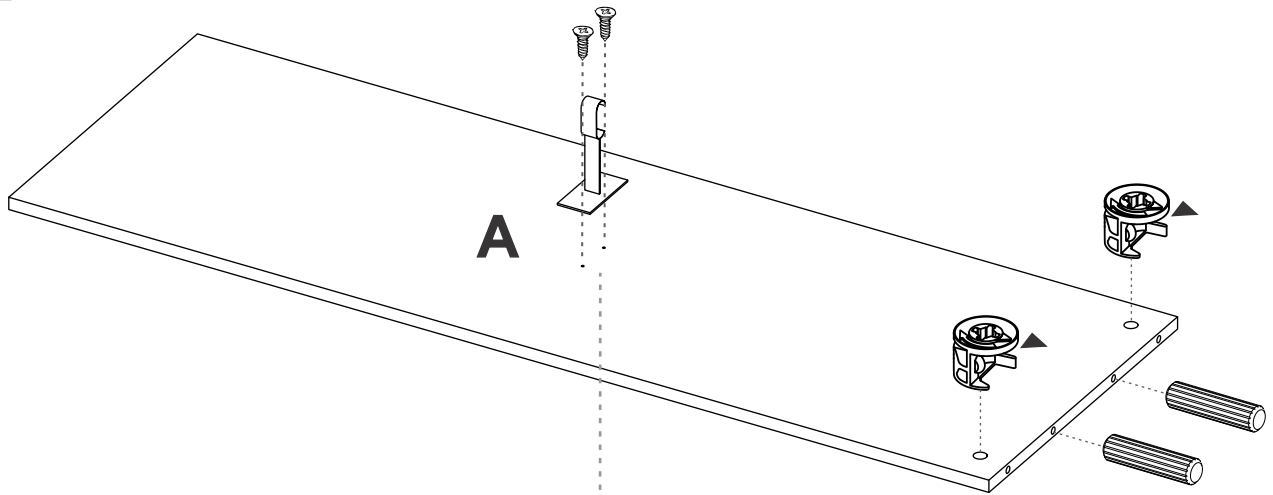


\* Tools not included/  
Herramientas no incluidas

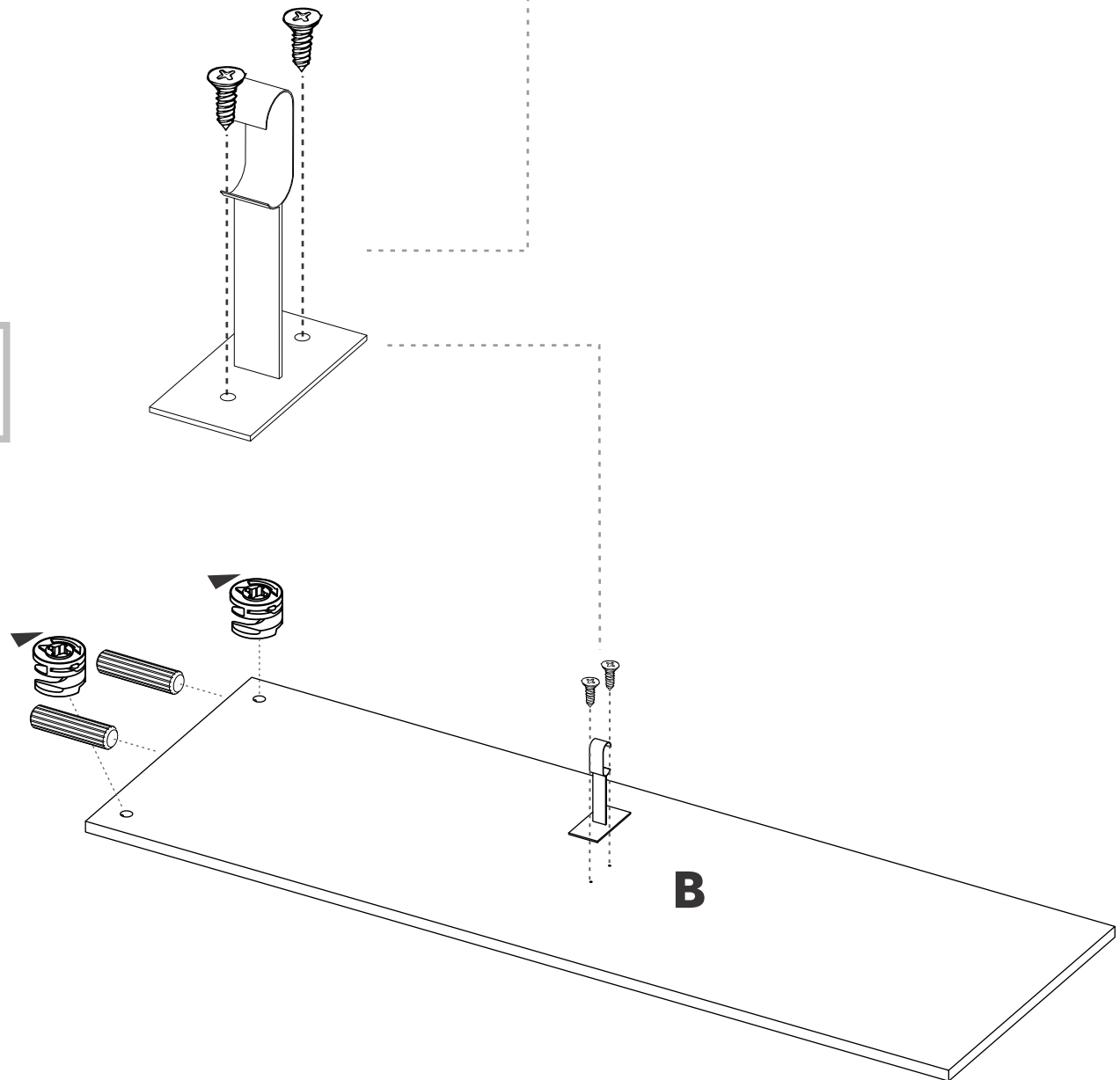


**Use a pencil to mark the cutting of pieces A and B, then use the appropriate tools for cutting**  
 / Utilizar lapiz para marcar el corte de las piezas A y B, luego utilizar herramientas apropiadas para realizar el corte.

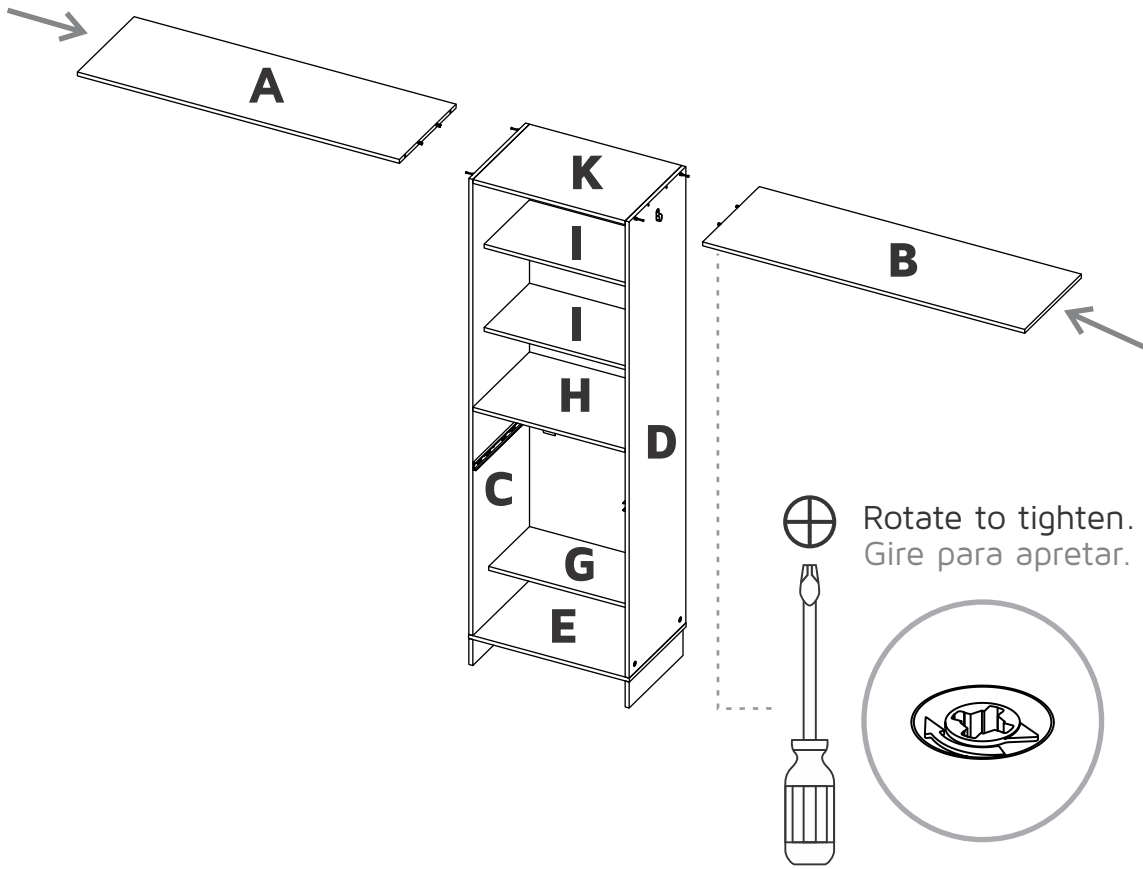
31



32

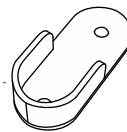
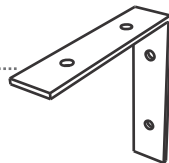
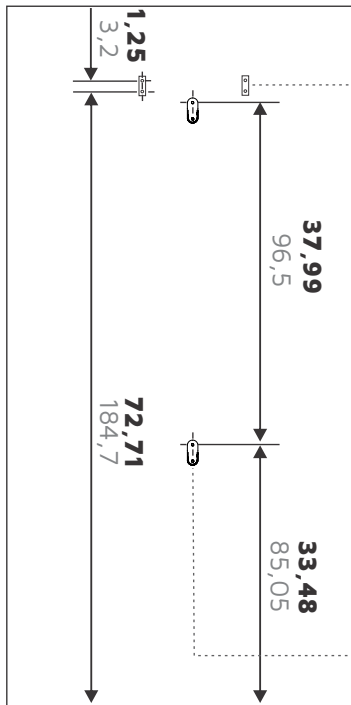


33

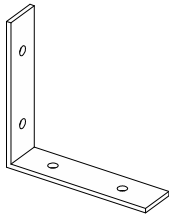


34

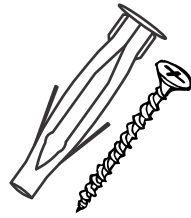
**SIDE WALL**  
Pared Lateral



**DRILL HOLES  
ON THE WALL TO  
ANCHOR THE  
ROD SUPPORTS  
AND THE  
WIDE BRACES/  
TALADRE LOS  
AGUJEROS EN  
LA PARED PARA  
ANCLAR EL SOPORTE  
DEL TUBO Y LAS  
CANTONERAS**

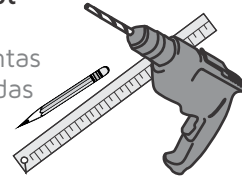


Mark with a pencil the holes of the Wide Bracers on the wall  
 (Wall Anchor not included/  
 Marque con un lapiz los agujeros de las cantoneras en la pared (Chazos no incluidos)



Drywall Screw+  
 Wall Anchor/  
 Tornillo 2 1/2" +  
 Chazo Mariposa

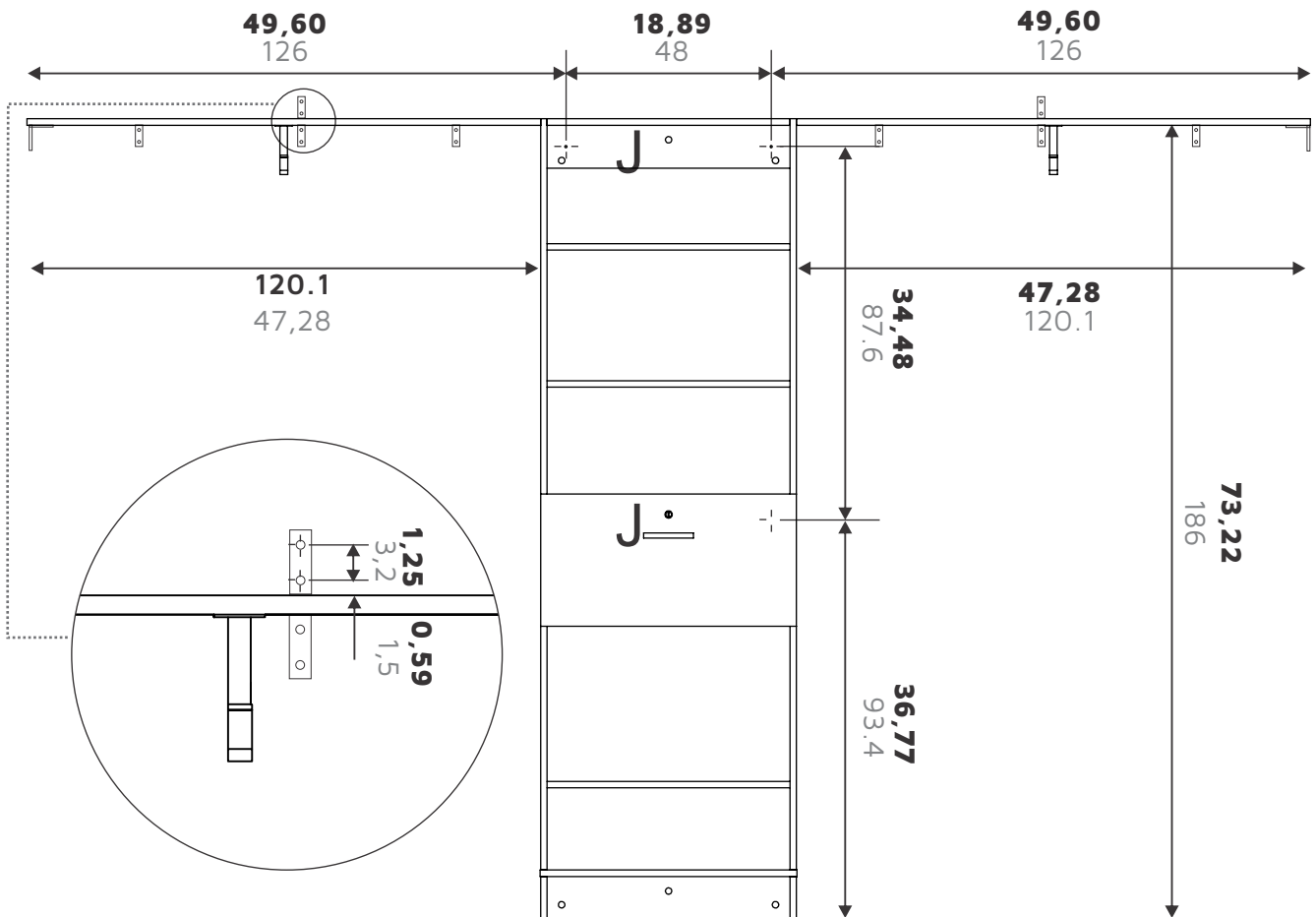
\* Tools not included/  
 Herramientas NO incluidas



Use a 5/16" drill bit to drill the wall/  
 Utilizar una broca de 5/16" para hacer las perforaciones en el muro

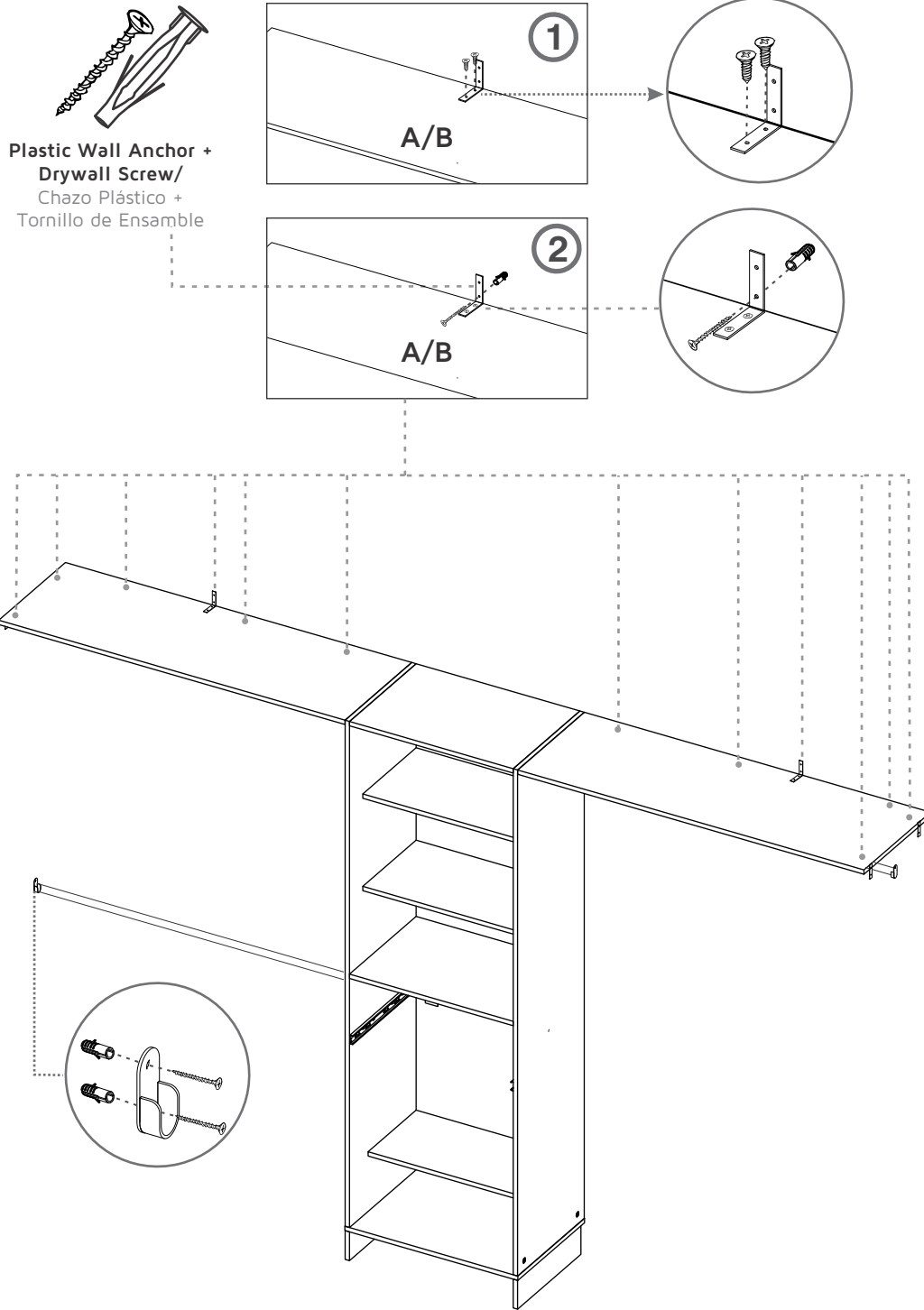
## WALL / Pared

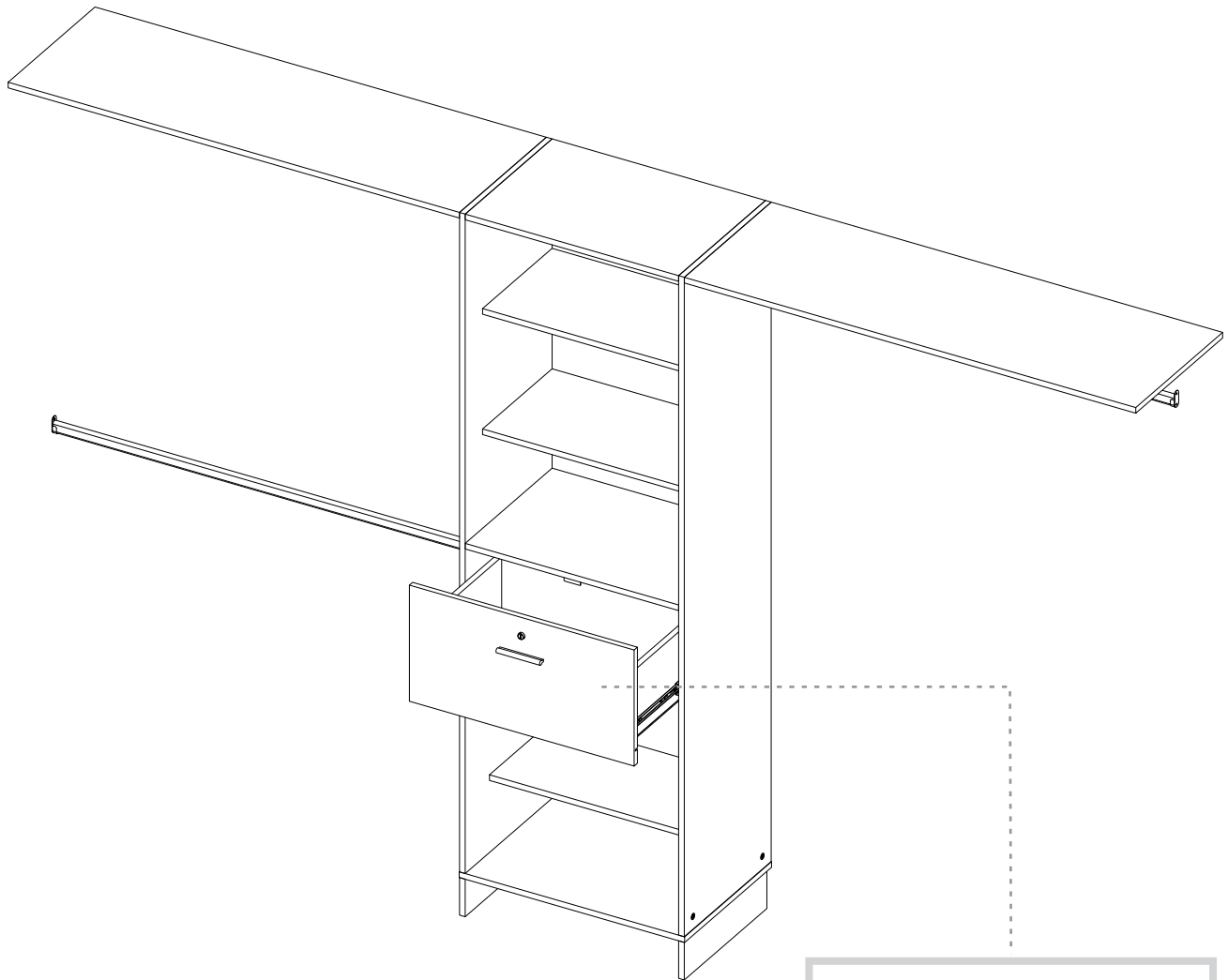
\* Inches / Centímetros



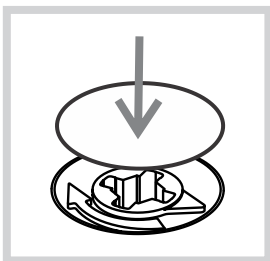


### Wall Anchoring / Anclaje a la pared





**Slide the drawer into the cabinet** / Deslice el cajón dentro del mueble



After you finish the adjustment of the cams, cover them with the cover caps.

Después de ajustar todas las cajas minifix, cúbralas con las tapas adhesivas.

# A

After you finish assembling the cabinet, take off the adhesive letters.

Al terminar de armar, desprenda las letras adhesivas.

TUHOME Furniture has a 3 year warranty coverage in wooden parts and 1 year warranty coverage in hardware pieces since its manufacturing date, which you can see in the lot number printed on the product box and the assembly instructions leaflet.

Warranty covers materials and workmanship imperfections which impair the assembly or correct functioning of the cabinet.

This warranty is not valid if the defects or imperfections are caused by the incorrect following of the assembly instructions, warnings and recommendations, misuse, intentional damage, fire or flood, or after modifications or any kind of alteration, or repaired by someone not authorized by TUHOME Furniture, when it's been assembled 3 months after the date of purchase. These defects MUST be reported before the warranty coverage period ends. Once the product has been assembled, the company will not be responsible for defective and/or damaged parts.

This warranty is ONLY valid for the ORIGINAL PURCHASER, it doesn't apply if the product has been resold, rented, etc.

TUHOME Furniture will take no liability for incidental or consequential damages caused to or by the product (This may not apply in your state).

To make this warranty valid you must write to our customer service email describing the product defect, lot number and submitting your sales receipt or proof of purchase, or contact us at our customer service line. Replaced parts will be under the product's original warranty coverage period. Damaged parts will become property of the company.

There are no other warranties applicable to this product.

**IF ANY PARTS ARE BROKEN OR MISSING PLEASE  
CONTACT US AT: 1-888-391-01-66 /  
customerservicetuhome@rta.com.co  
OUR CUSTOMER SERVICE TEAM WILL PROVIDE  
YOU HELP TO RESOLVE ANY ISSUES IMMEDIATELY**