

Height: 63 in Alto: 160 cm
Width: 19,76 in Ancho: 50,2 cm
Depth: 13,34 in Fondo: 33,9 cm

LOT N°

**IF ANY PARTS ARE BROKEN OR
MISSING PLEASE CONTACT US**

AT: 1-888-391-01-66 /

customerservicetuhome@rta.com.co

**OUR CUSTOMER SERVICE TEAM WILL PROVIDE
YOU HELP TO RESOLVE ANY ISSUES IMMEDIATELY**

MAGNUM BOOKCASE
Biblioteca Magnum



IMPORTANT RECOMMENDATIONS

Do not paint the cabinet.

The cabinet **MUST** be used exclusively indoors, do not expose to direct sun.

Clean metallic hardware with a dry cloth.

Do **NOT** overload the cabinet (see suggested loads).

Do not hit or hammer the cabinet (just when indicated).

Clean with a slightly damp cloth, use gentle soaps.

Do not drag, lift and move between two people.

Avoid direct contact with water, fire or exposure to heat sources.

RECOMENDACIONES IMPORTANTES

No pintar el mueble.

El mueble debe ser usado únicamente en interiores, no exponer al sol directo.

Limpiar los herrajes metálicos con un paño seco.

NO sobrecargar el mueble (ver las cargas sugeridas).

No golpear ni martillar el mueble (solo cuando se indique).

Limpiar con un paño ligeramente húmedo, usar jabones suaves.

No arrastre el mueble, levántelo entre dos personas.

Evite el contacto directo con el agua, el fuego o la exposición a fuentes de calor.



WARNING

Never allow children to climb or manipulate the cabinet, furniture tip over can cause serious injuries or death.



ADVERTENCIA

Nunca permita que los niños escalen o manipulen el mueble, la caída de este puede provocar lesiones graves o la muerte.

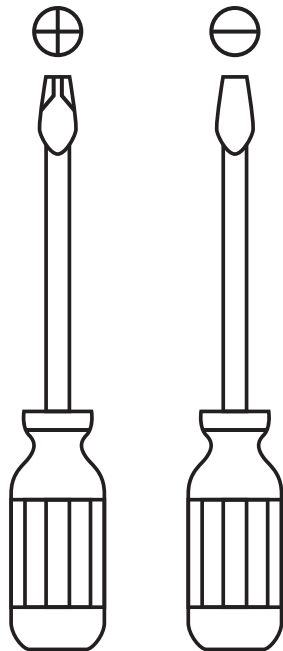
INDEX

Assembly Hardware	4
Assembly Parts	5
Suggested Loads.....	6
Assembly Recommendations.....	6
Assembly Steps	7-19
Warranty.....	20

ÍNDICE

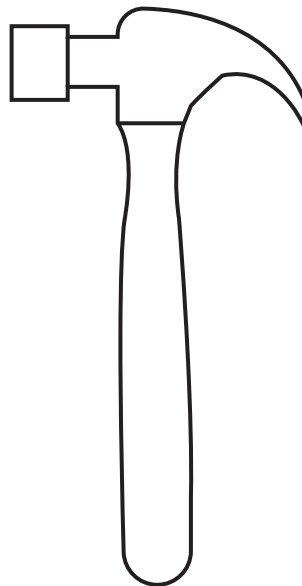
Herrajes para Armado.....	4
Piezas de Armado.....	5
Cargas Sugeridas.....	6
Recomendaciones de Ensamble.....	6
Pasos de Armado.....	7-19
Garantía	20

REQUIRED TOOLS*



*Not included, and not shown actual size.

HERRAMIENTAS NECESARIAS*



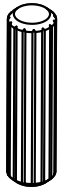
*No incluidas y no se muestran en tamaño real.

ASSEMBLY HARDWARE

HERRAJES PARA ARMADO

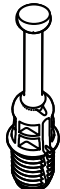
Please check that the hardware content is correct. If any item is missing, please call to our customer service line.

Compruebe que el contenido de los herrajes sea el correcto. En caso de que falte alguna pieza, por favor llame a nuestra línea de atención al cliente.



x46

Wood Dowel
Tarugo



x30

Spreading Bolt
Perno Minifix



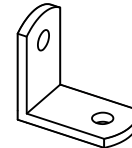
x30

Minifix Cams
Minifix



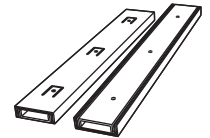
x30

Cover Caps
Tapa Adhesiva
Minifix



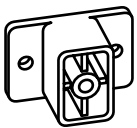
x2

Corner Brace
Cantonera



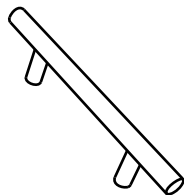
x1

Drawer Slides
Rieles



x4

Plastic Support
Soporte Plástico



x1

Handle
Manija Acero



x2

Handle Screw
Tornillo Manija



x18

Flat Head Screw
Tornillo Lámina



x4

2" Drywall Screw
Tornillo de
Ensamble 2"



x26

1 1/2" Drywall Screw
Tornillo de
Ensamble 1 1/2"



x4

1/2" Drywall Screw
Tornillo de
Ensamble 1/2"



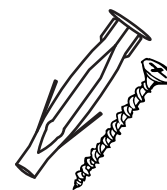
x24

Screw Cover Caps
Tapa Tornillo



x2

Metallic Leg
Pata Metálica



x2

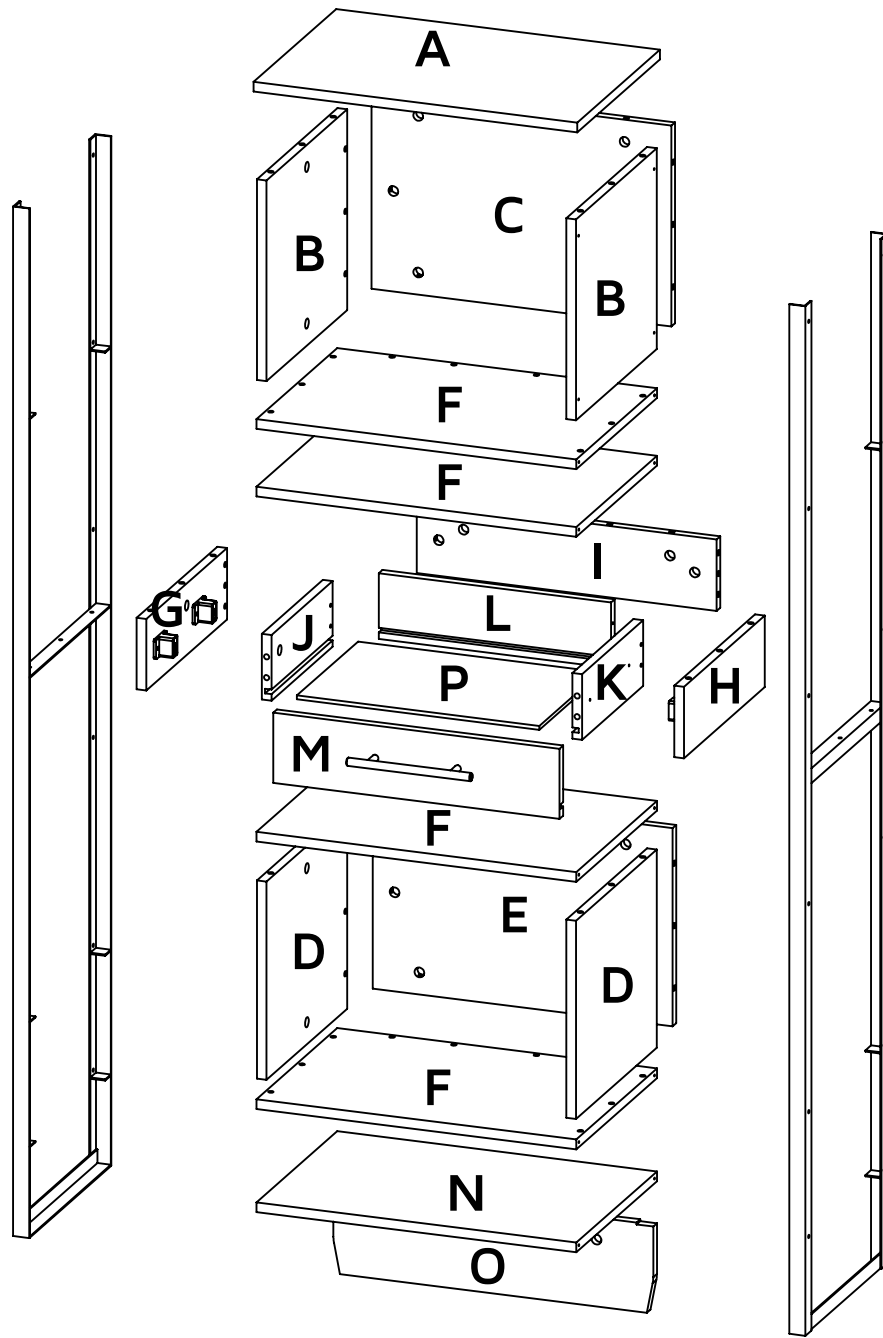
Drywall Screw +
Wall Anchor
Chazo Mariposa
+ Tornillo Ensamble

Hardware items are NOT shown actual size.

Los herrajes no se muestran en el tamaño real.

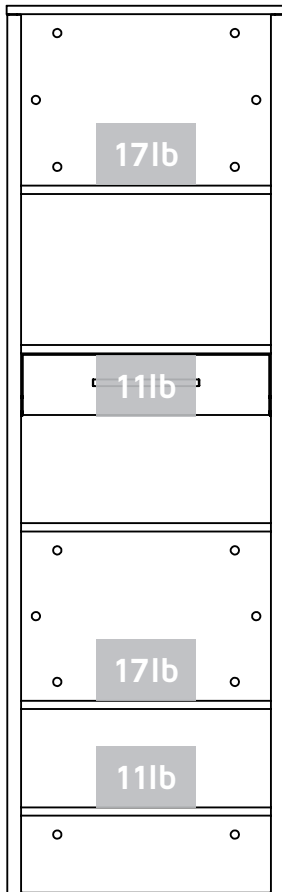
ASSEMBLY PARTS

PIEZAS DE ARMADO



A - x1	F - x4	K - x1	P - x1
B - x2	G - x1	L - x1	
C - x1	H - x1	M - x1	
D - x2	I - x1	N - x1	
E - x1	J - x1	O - x1	

MAX SUGGESTED LOADS



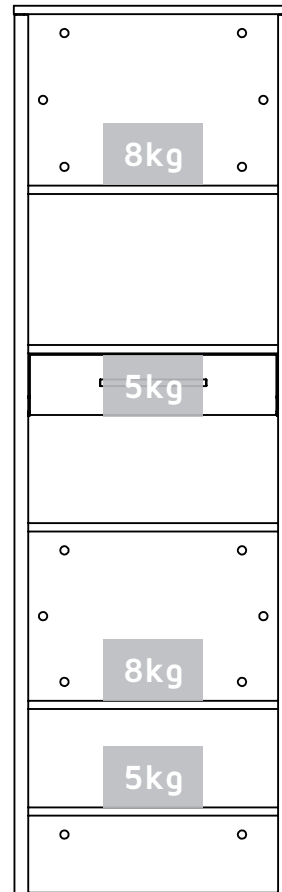
ASSEMBLY RECOMMENDATIONS

Two people are recommended to assemble the product.

Assemble the cabinet on a flat, smooth surface, preferably on a carpeted floor or the carton box of the product.

Carefully read the assembly instructions and identify every wood and hardware part before start assembling the cabinet.

CARGAS MÁXIMAS SUGERIDAS



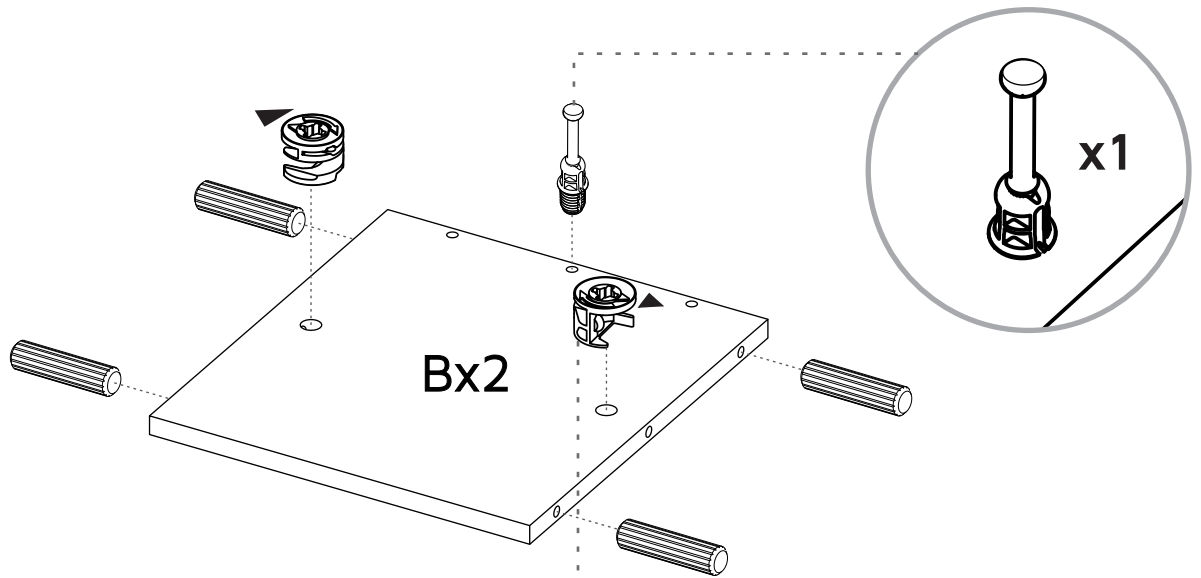
RECOMENDACIONES DE ENSAMBLE

Ensamble el mueble entre dos personas.

Ensamble el mueble sobre una superficie plana y lisa, preferiblemente sobre un tapete o el cartón de la caja

Lea cuidadosamente las instrucciones e identifique todas las piezas y herrajes antes de empezar a armar el mueble.

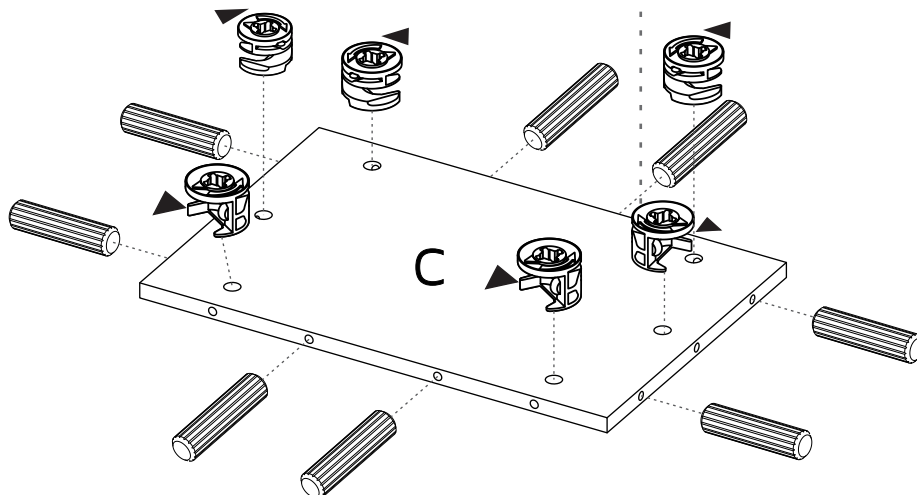
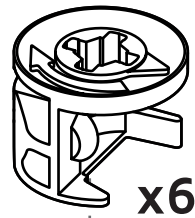
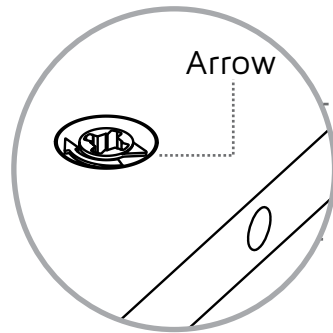
1



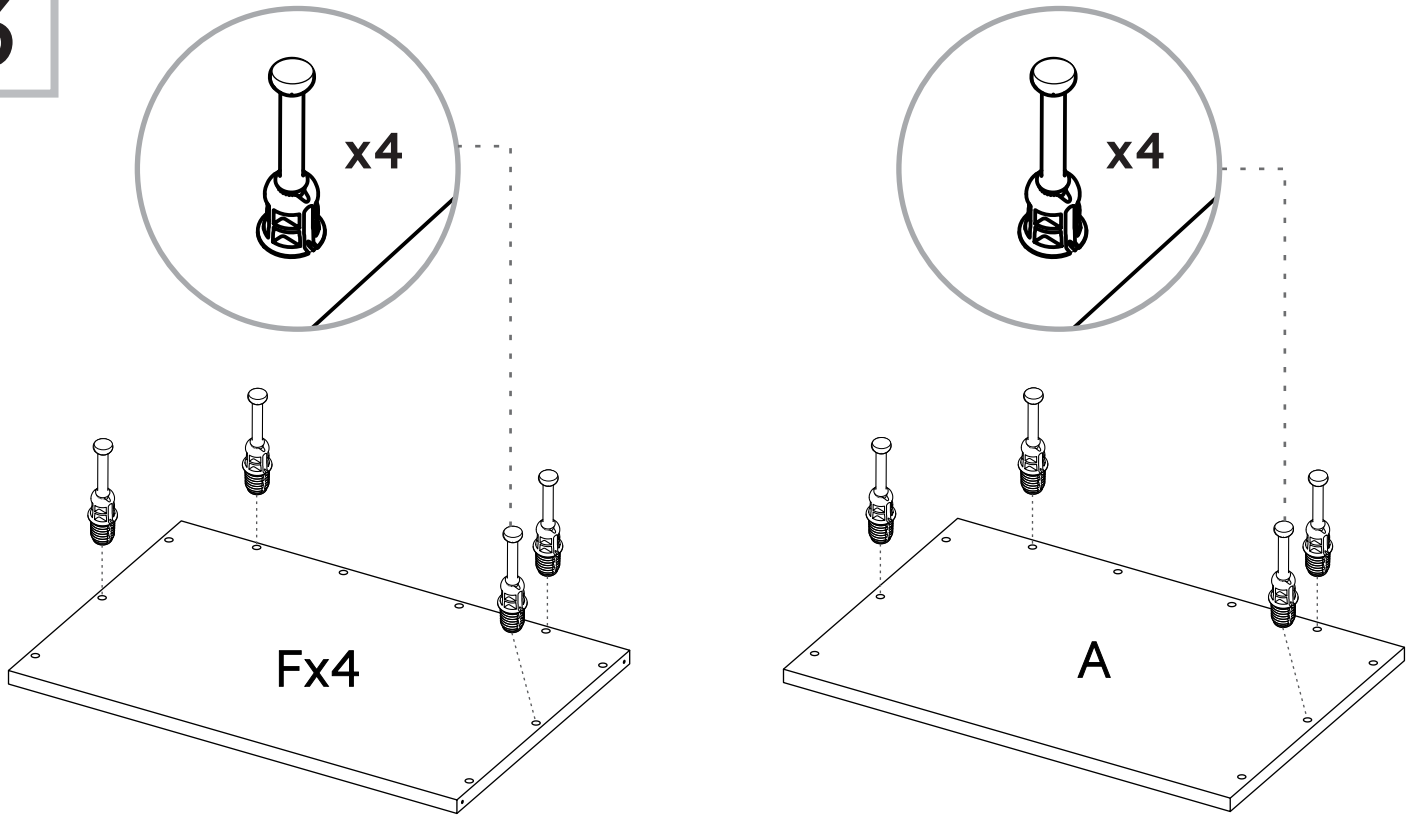
Do NOT tighten the
cams in this step.
NO apriete las cajas
minifix en este paso.



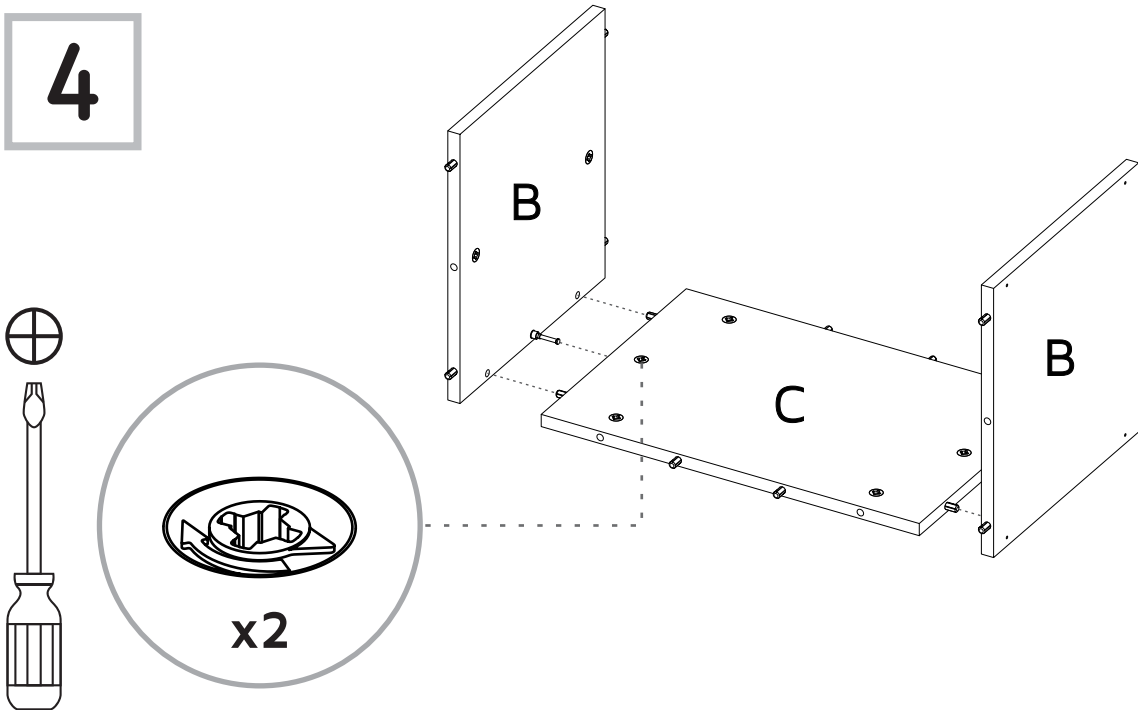
2



3



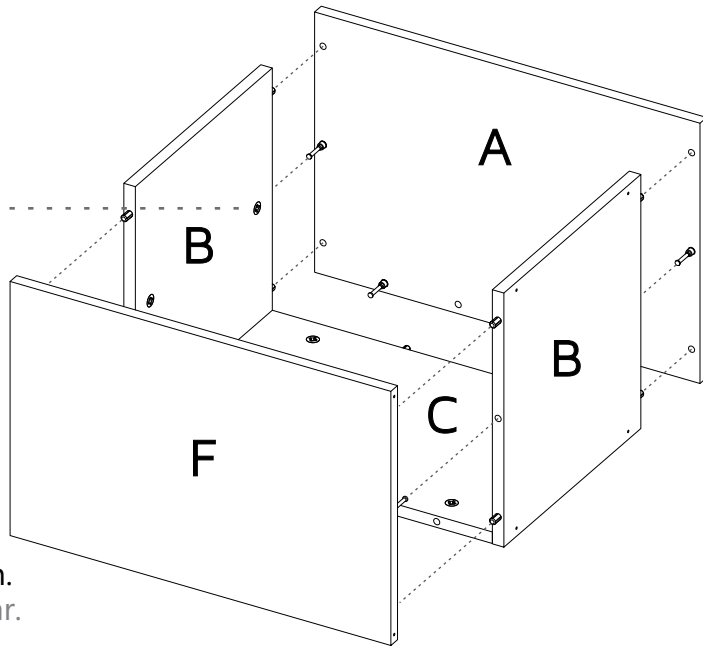
4



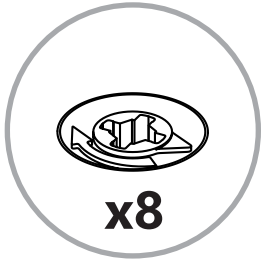
Turn minifix cams to the right to tighten.

Gire las cajas minifix hacia la derecha para apretar las piezas.

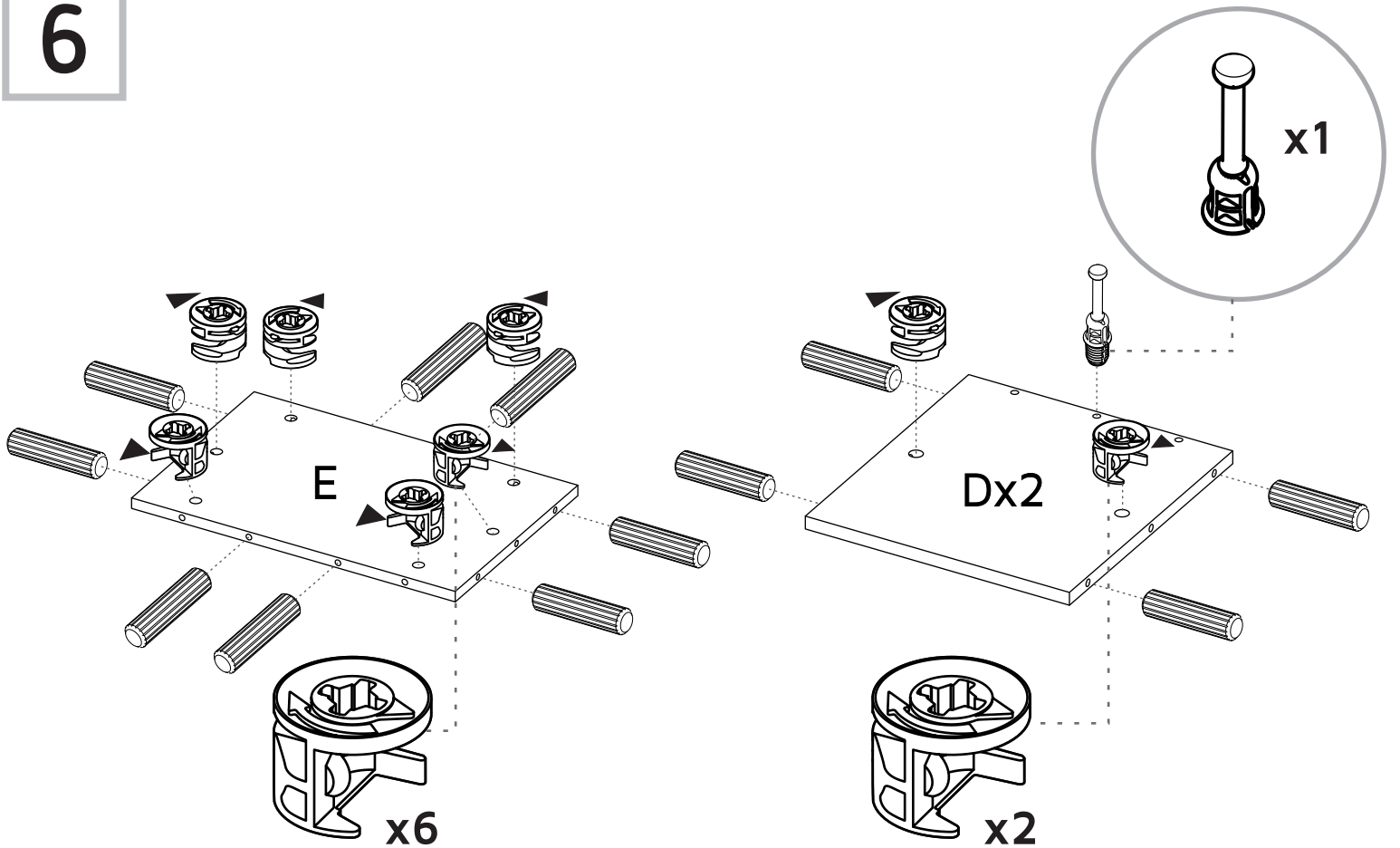
5



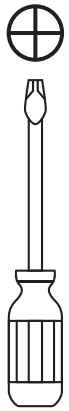
Rotate to tighten.
Gire para apretar.



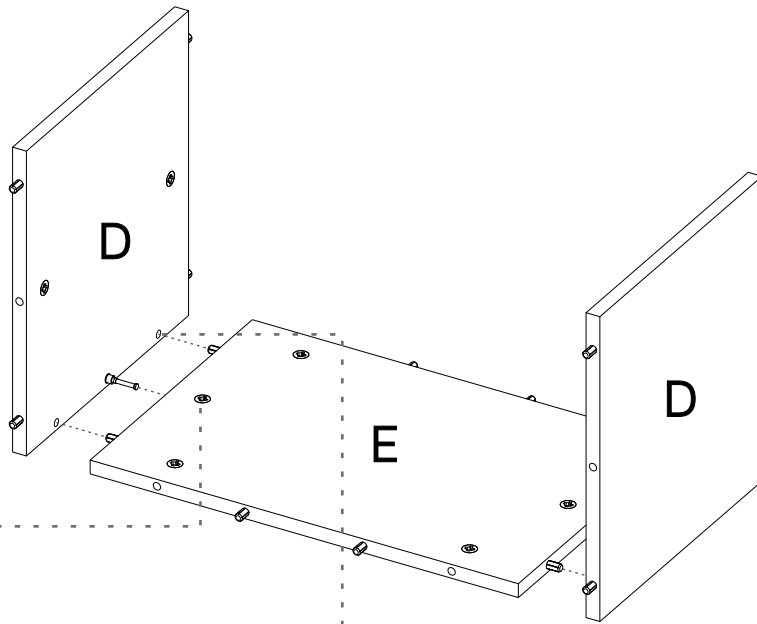
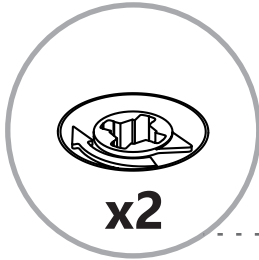
6



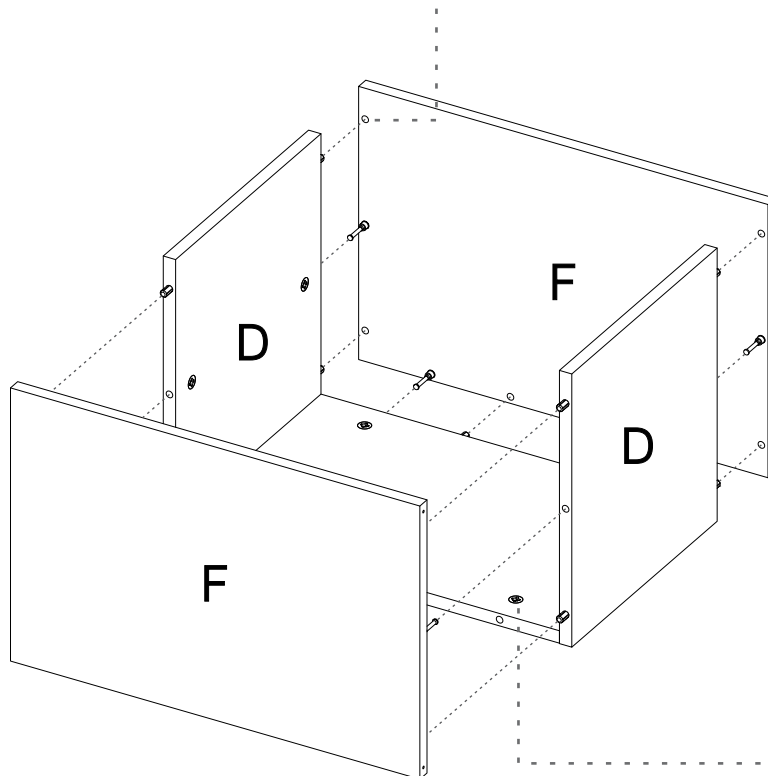
7



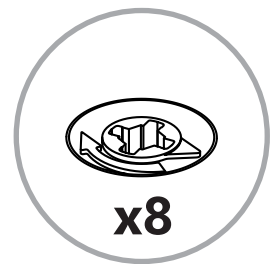
Rotate to tighten.
Gire para apretar.



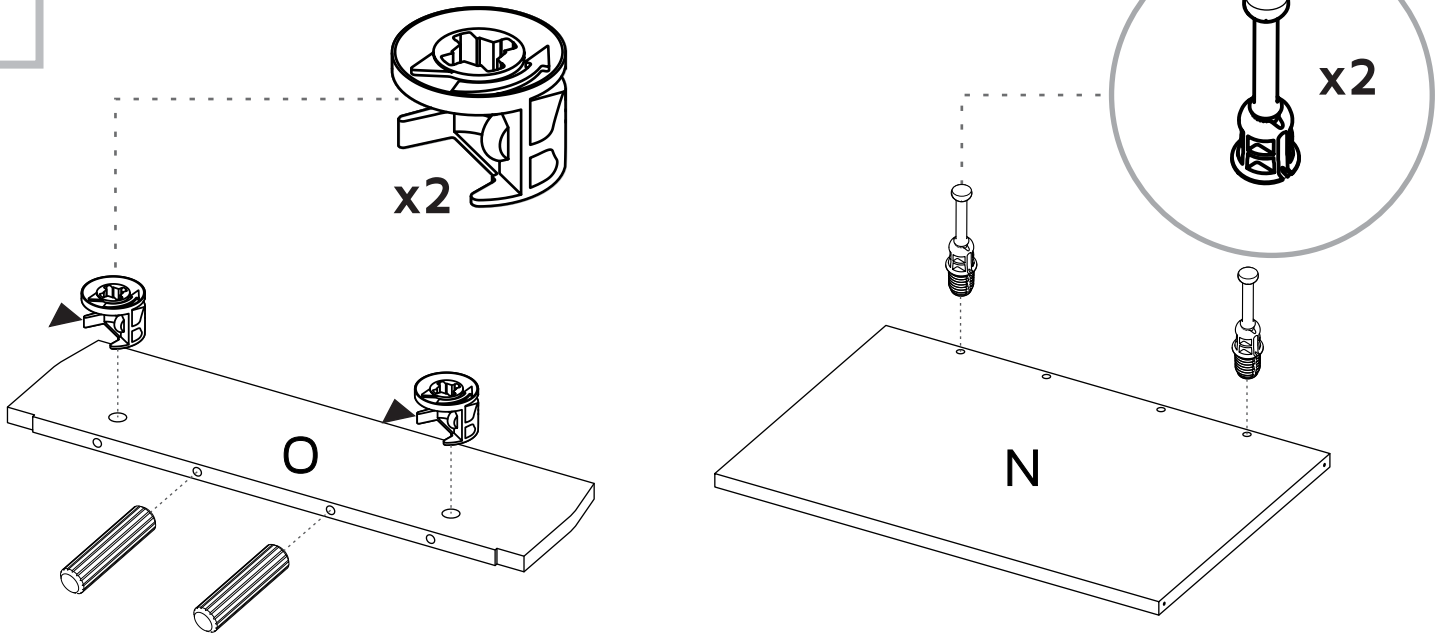
8



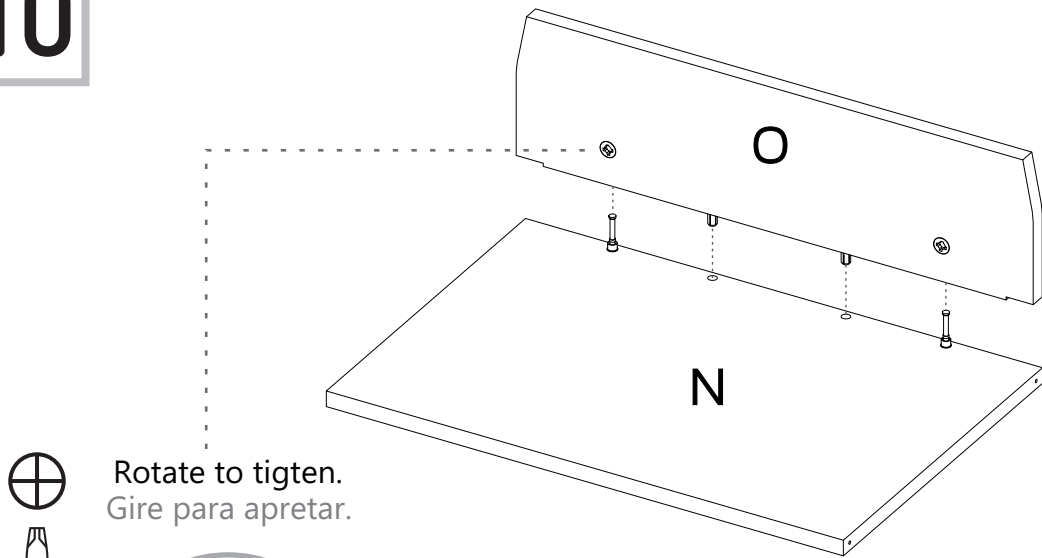
Rotate to tighten.
Gire para apretar.



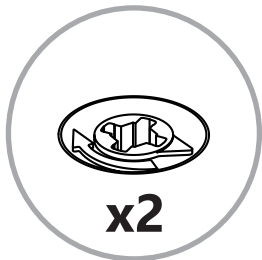
9



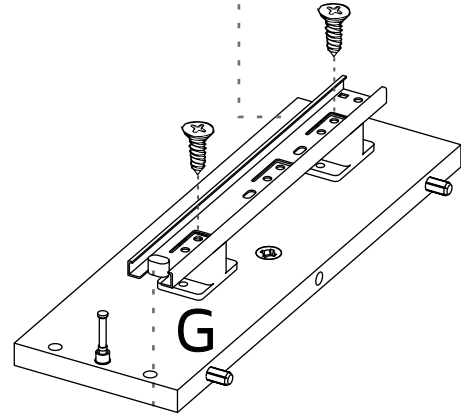
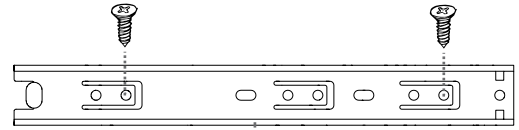
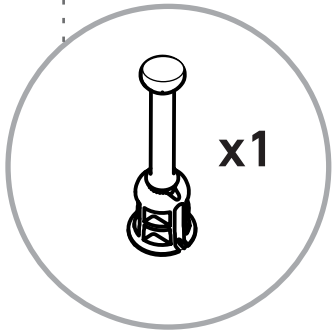
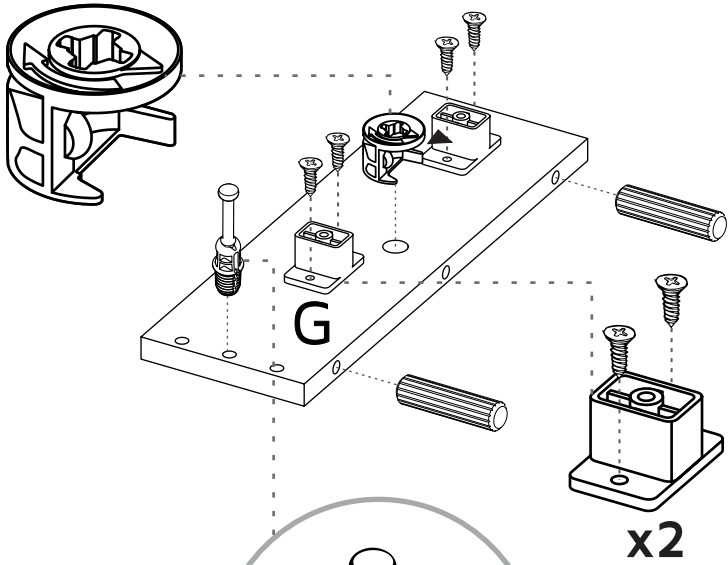
10



Rotate to tighten.
Gire para apretar.



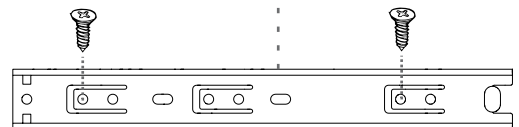
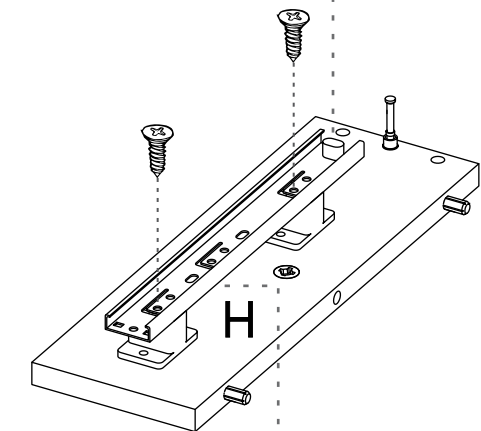
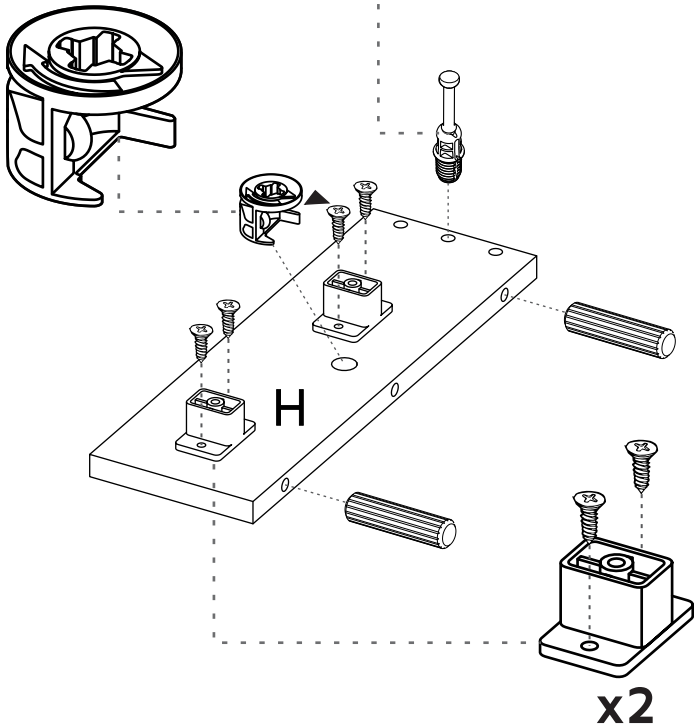
11



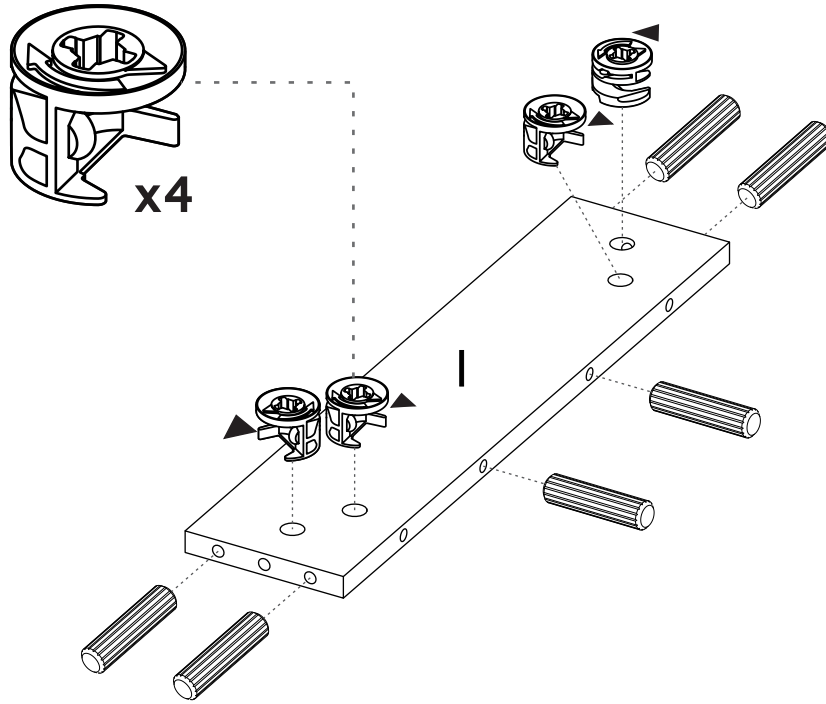
WHEN PLACING THE SLIDE ON
THE SIDE OF THE CABINET:
PARA PONER RIEL EN
LATERAL DEL MUEBLE:

The plastic stop must be placed on the rear.
Revisar que el tope plástico del riel quede
en la parte trasera

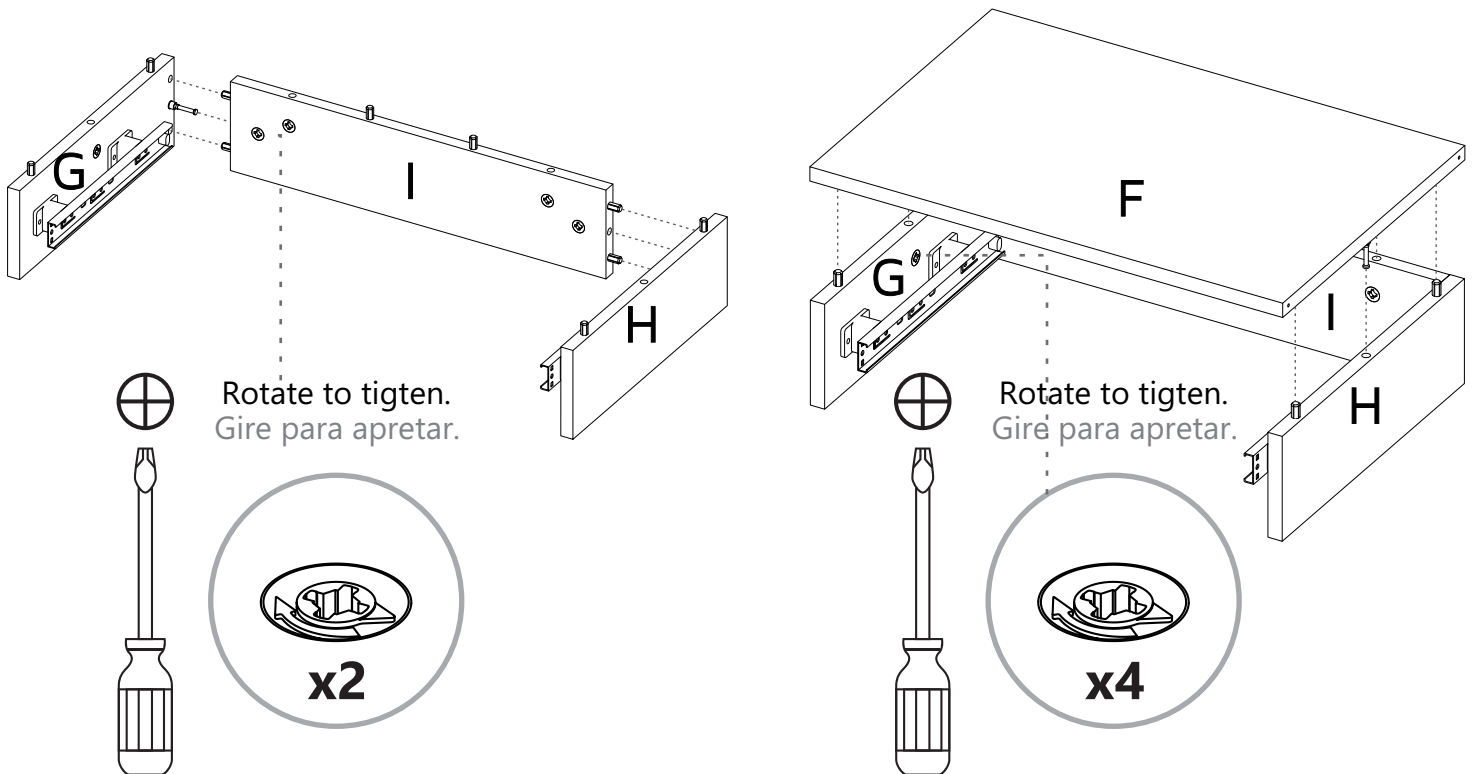
12



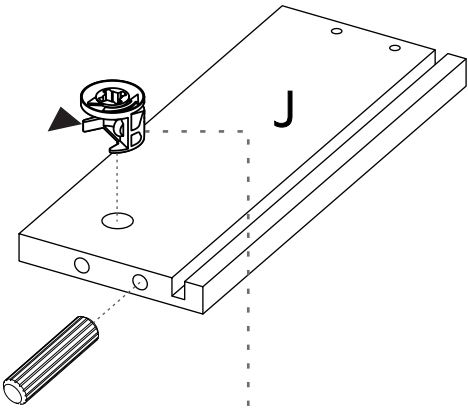
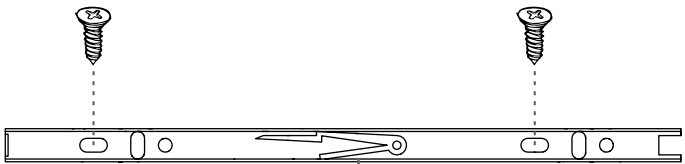
13



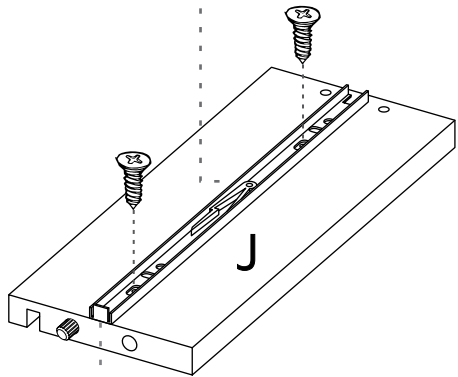
14



15



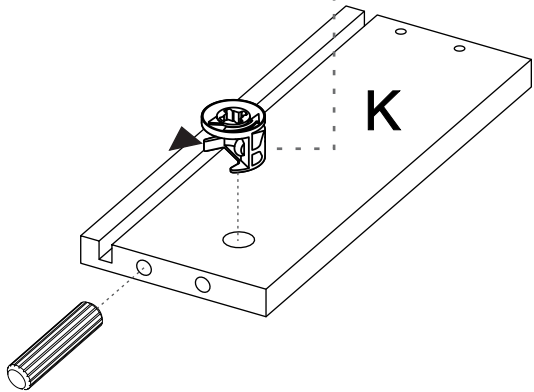
Turn Over
Voltear



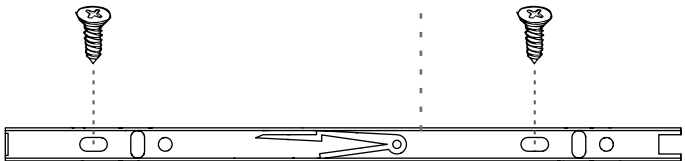
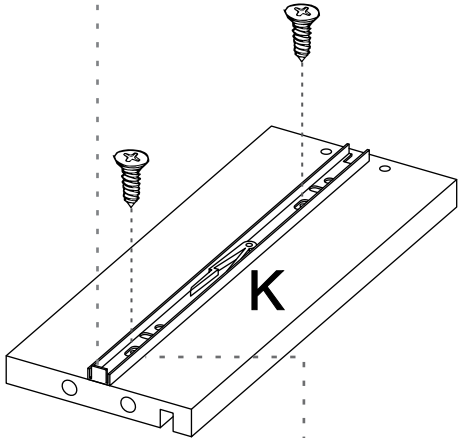
WHEN PLACING THE SLIDE ON
THE SIDE OF THE DRAWER:
PARA PONER RIEL EN
LATERAL DEL CAJON:

The metallic stop must be placed on the front.
Revisar que el tope metálico del riel quede
en la parte delantera.

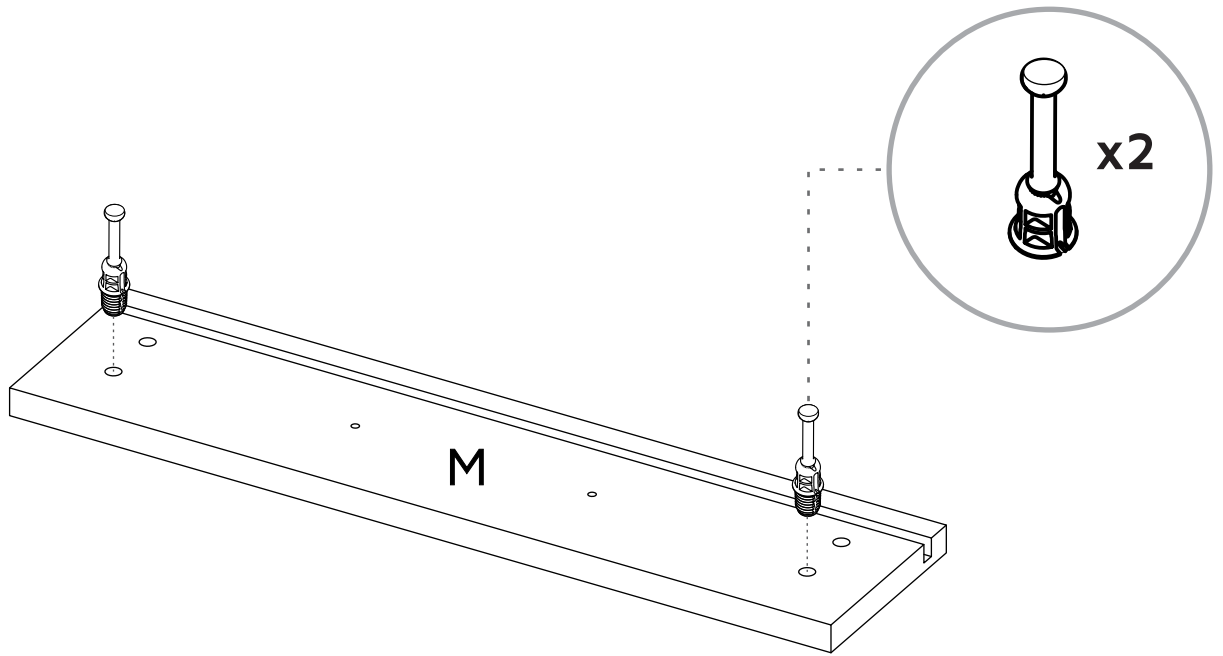
16



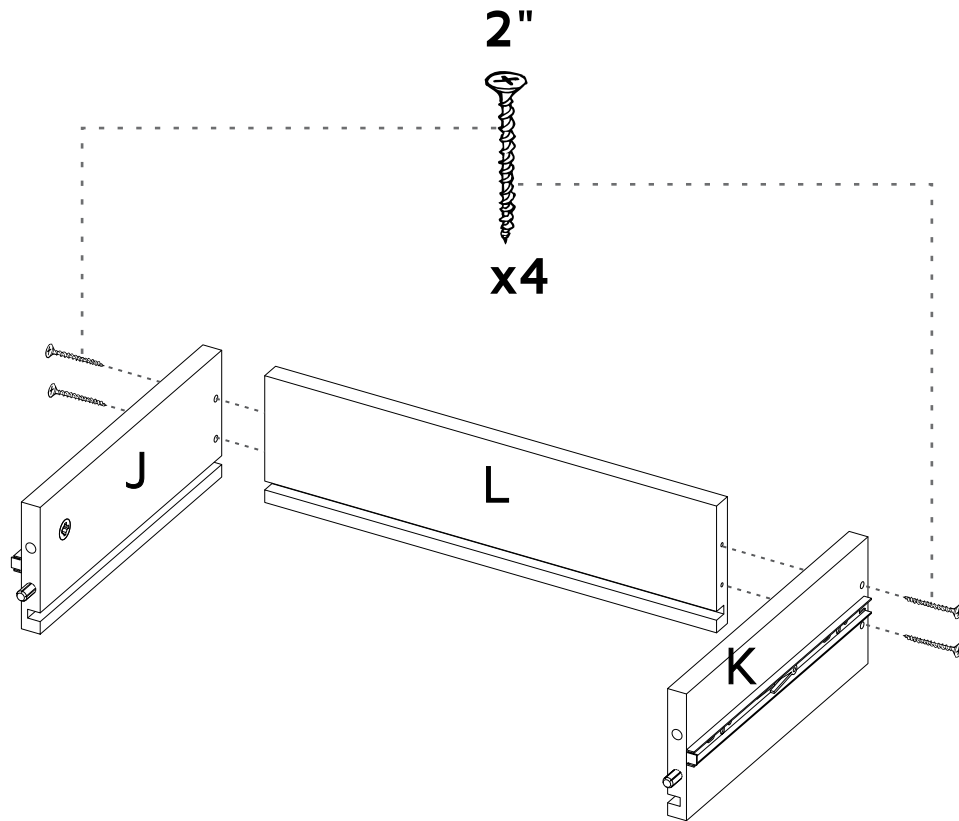
Turn Over
Voltear



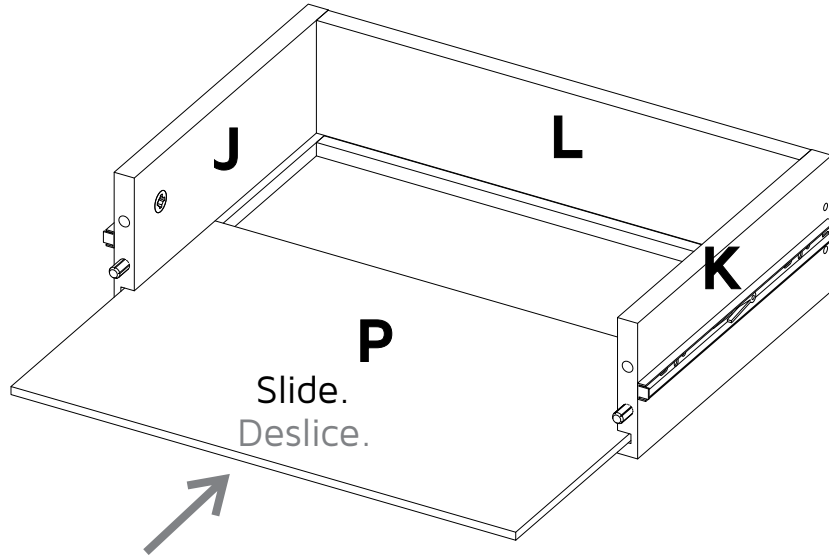
17



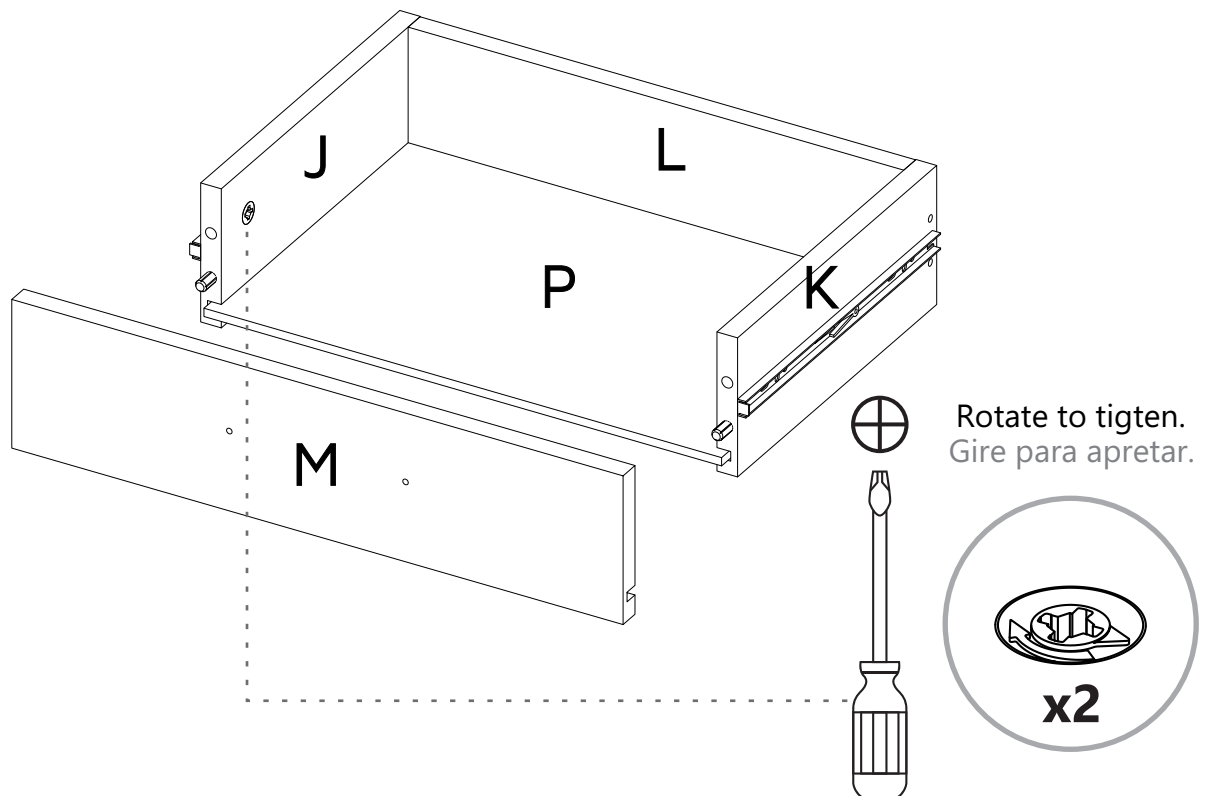
18



19

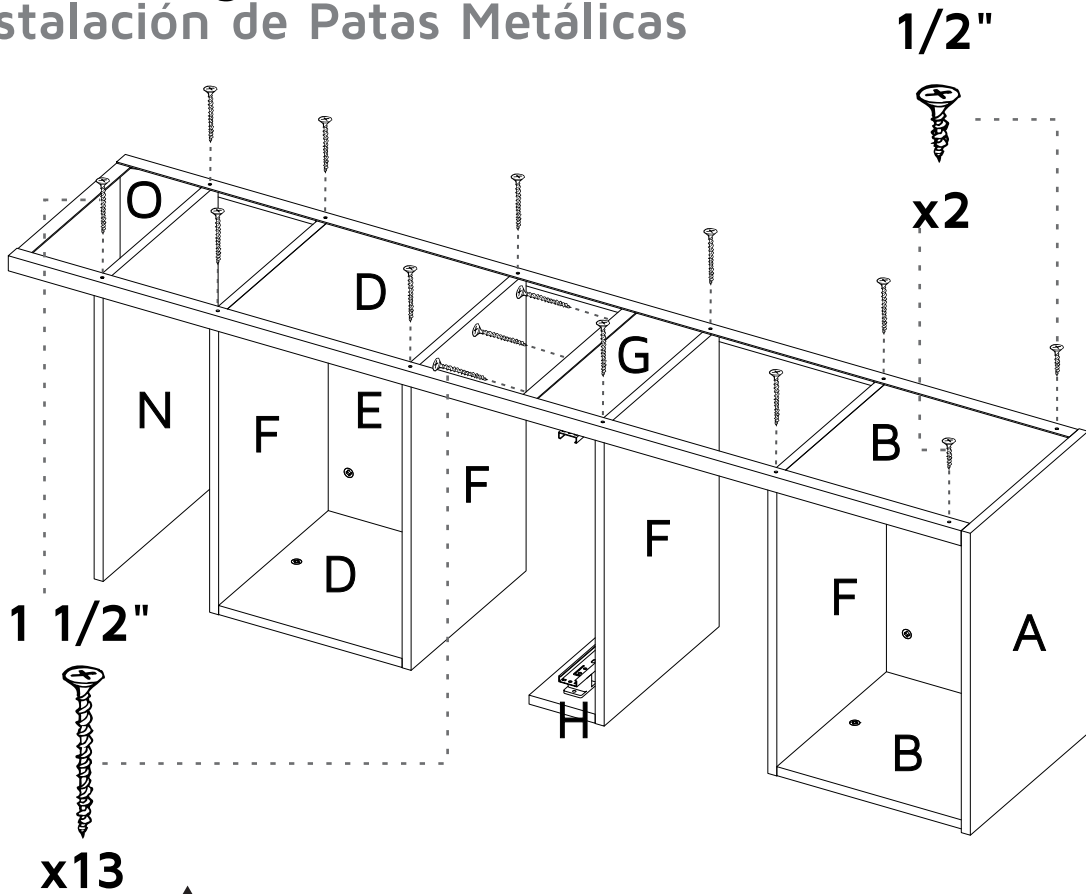


20



21 Metallic Legs Installation

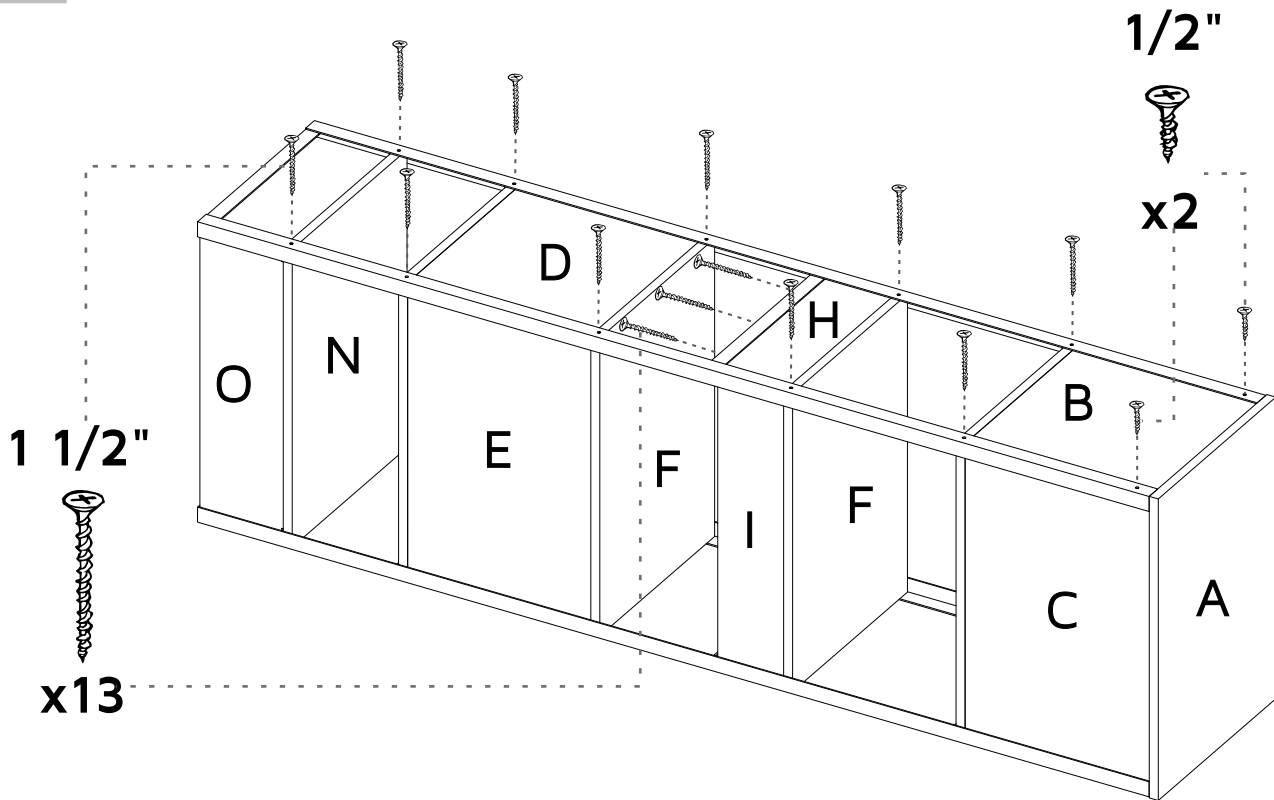
Instalación de Patas Metálicas



22



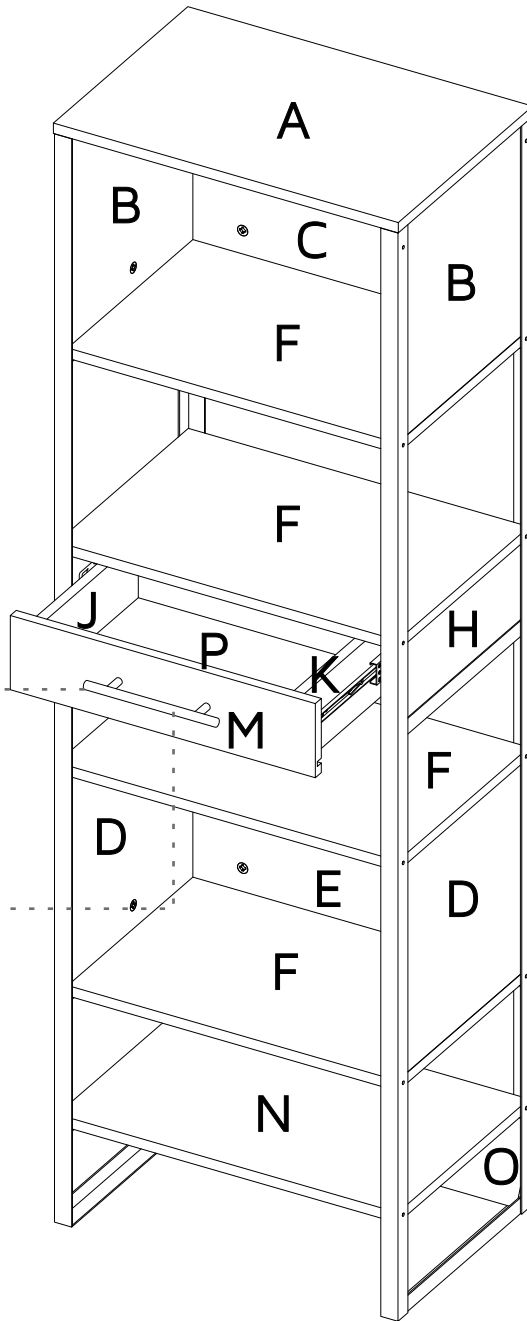
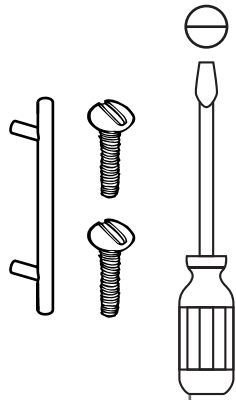
Be careful turning over the cabinet.
Tenga cuidado al voltear el mueble.



23



Be careful turning over the cabinet.
Tenga cuidado al voltear el mueble.

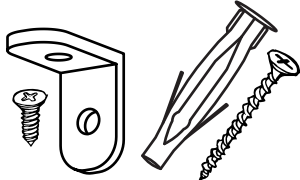


Slide the drawer
inside the cabinet.
Deslice el cajon
dentro del mueble.



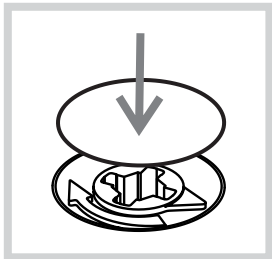
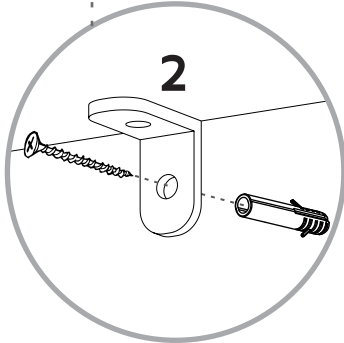
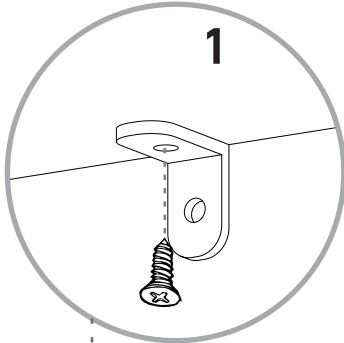
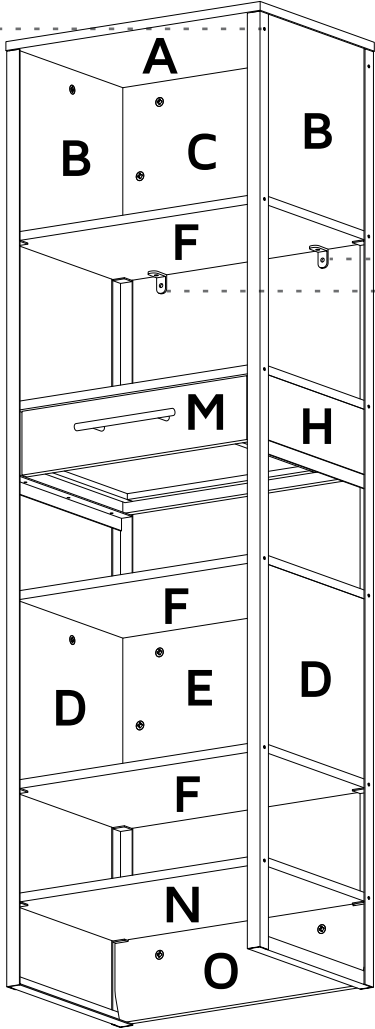
For the user safety, it is recommended to anchor the furniture to the wall.

Por la seguridad del usuario se recomienda anclar el mueble a la pared.



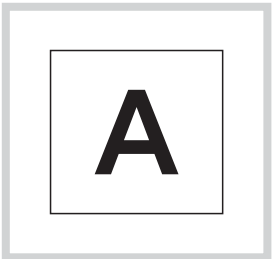
x2

Put the screw cover caps in the legs visible screw heads.
 Ubique las tapas tornillo en las cabezas de los tornillos visibles de las patas.



After you finish the adjustment of the cams, cover them with the cover caps.

Después de ajustar todas las cajas minifix, cúbralas con las tapas adhesivas.



After you finish assembling the cabinet, take off the adhesive letters.

Al terminar de armar, desprenda las letras adhesivas.

TUHOME Furniture has a 3 year warranty coverage in wooden parts and 1 year warranty coverage in hardware pieces since its manufacturing date, which you can see in the lot number printed on the product box and the assembly instructions leaflet.

Warranty covers materials and workmanship imperfections which impair the assembly or correct functioning of the cabinet.

This warranty is not valid if the defects or imperfections are caused by the incorrect following of the assembly instructions, warnings and recommendations, misuse, intentional damage, fire or flood, or after modifications or any kind of alteration, or repaired by someone not authorized by TUHOME Furniture, when it's been assembled 3 months after the date of purchase. These defects MUST be reported before the warranty coverage period ends. Once the product has been assembled, the company will not be responsible for defective and/or damaged parts.

This warranty is ONLY valid for the ORIGINAL PURCHASER, it doesn't apply if the product has been resold, rented, etc.

TUHOME Furniture will take no liability for incidental or consequential damages caused to or by the product (This may not apply in your state).

To make this warranty valid you must write to our customer service email describing the product defect, lot number and submitting your sales receipt or proof of purchase, or contact us at our customer service line. Replaced parts will be under the product's original warranty coverage period. Damaged parts will become property of the company.

There are no other warranties applicable to this product.

**IF ANY PARTS ARE BROKEN OR
MISSING PLEASE CONTACT US**
AT: 1-888-391-01-66 /
customerservicetuhome@rta.com.co
OUR CUSTOMER SERVICE TEAM WILL PROVIDE
YOU HELP TO RESOLVE ANY ISSUES IMMEDIATELY