

# REP

## TROUBLE SHOOTING GUIDE



If you are missing any parts, or otherwise have any warranty issues, please file a **warranty claim** on our website:

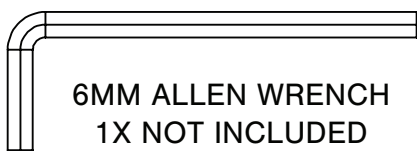
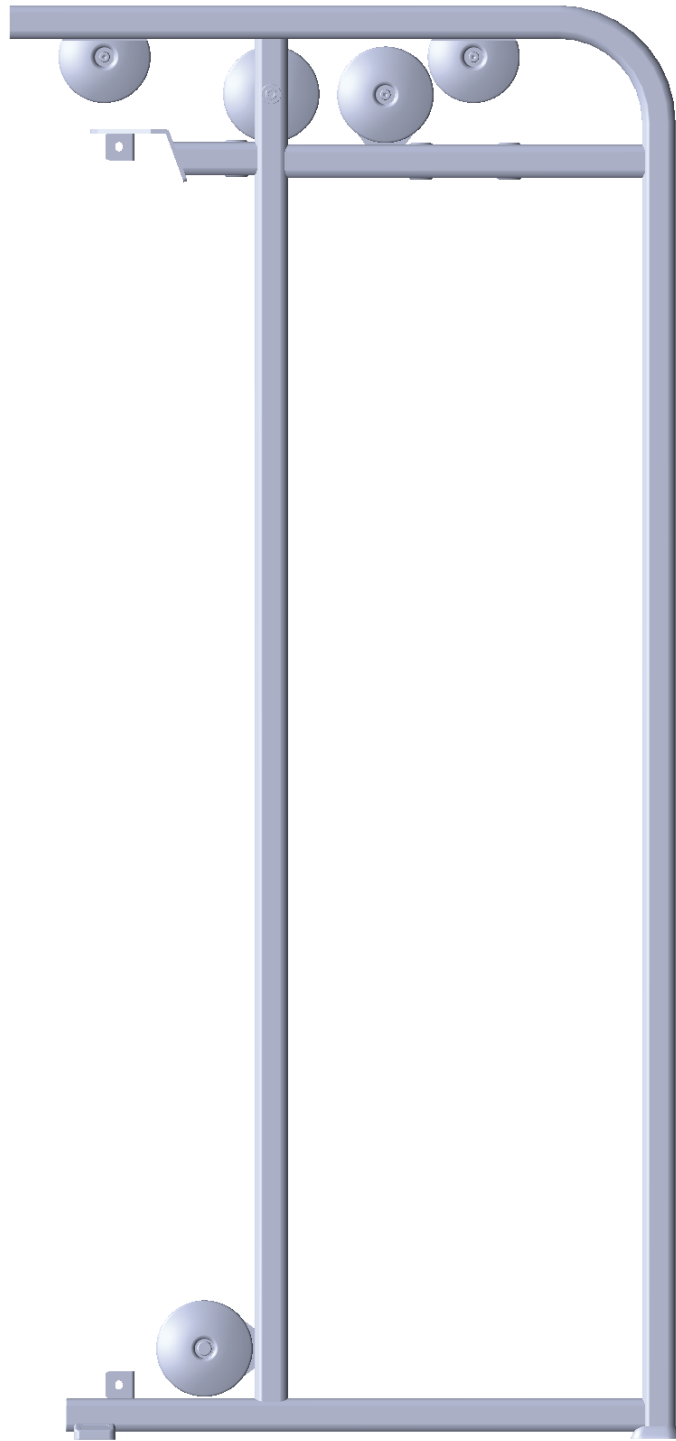


# FT-5004



[WWW.REPFITNESS.COM](http://WWW.REPFITNESS.COM)

**ISSUE #1: CABLES ARE NOT PRE-INSTALLED**



6MM ALLEN WRENCH  
1X NOT INCLUDED



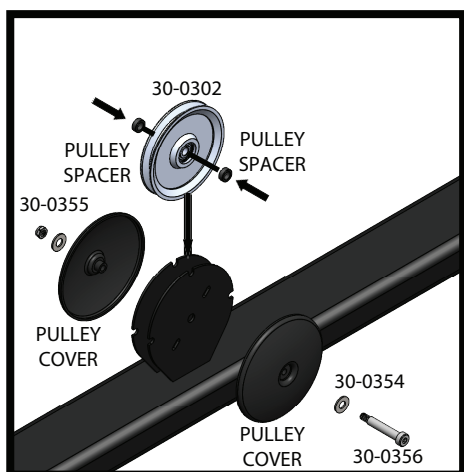
13MM WRENCH  
1X NOT INCLUDED

# 1

## INSTALL CABLE

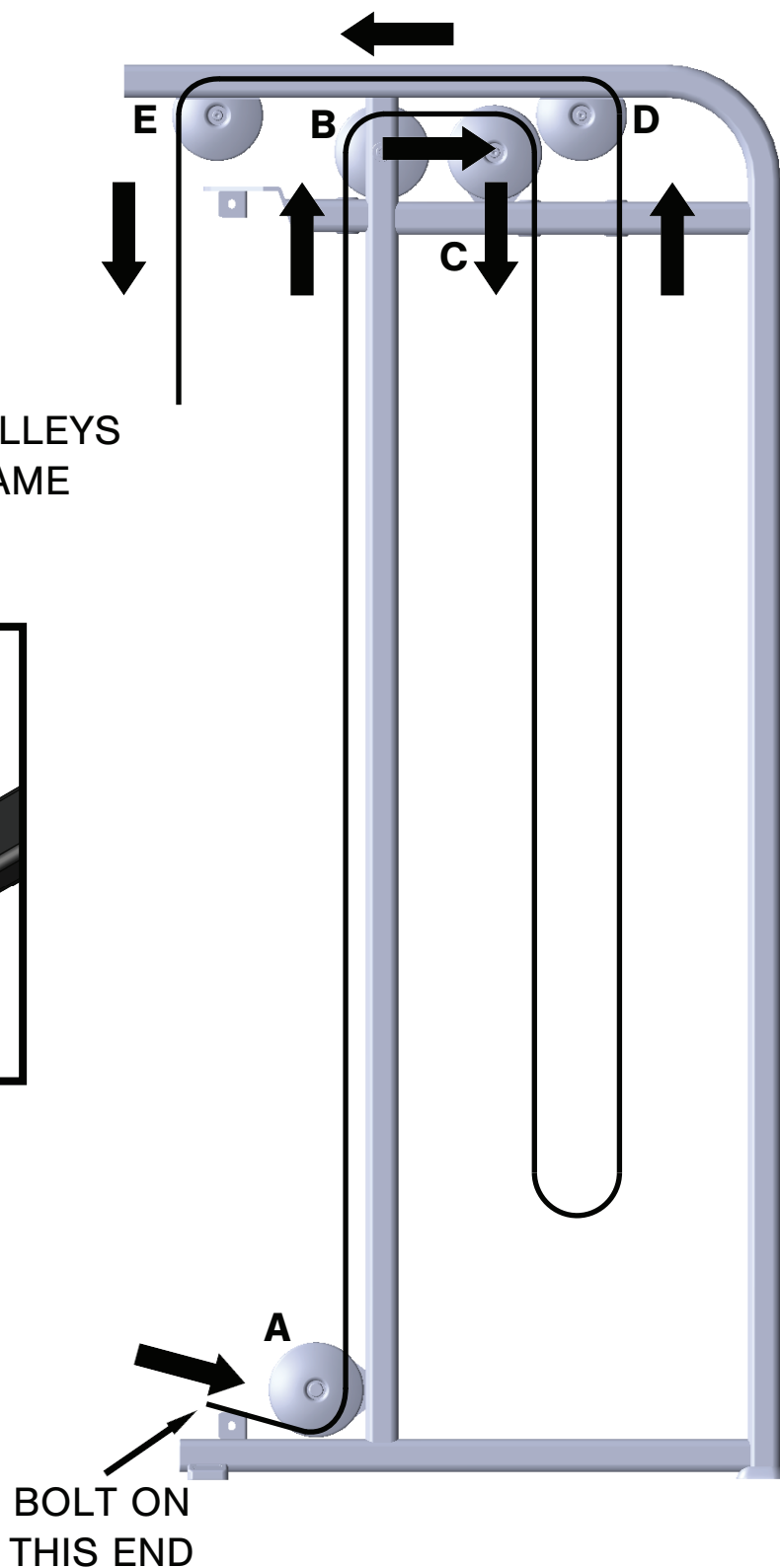
TO INSTALL CABLE

1. UNINSTALL PULLEY
2. THREAD CABLE
3. REINSTALL PULLEY
4. REPEAT 1-3 FOR ALL PULLEYS
5. REPEAT FOR OTHER FRAME



GENERIC PULLEY  
EXPLODED VIEW  
(LARGER VIEW  
ON NEXT PAGE)

NOTE: DO NOT LOSE SMALL  
PULLEY SPACER



NOTE: DO NOT LOSE SMALL PULLEY SPACER

