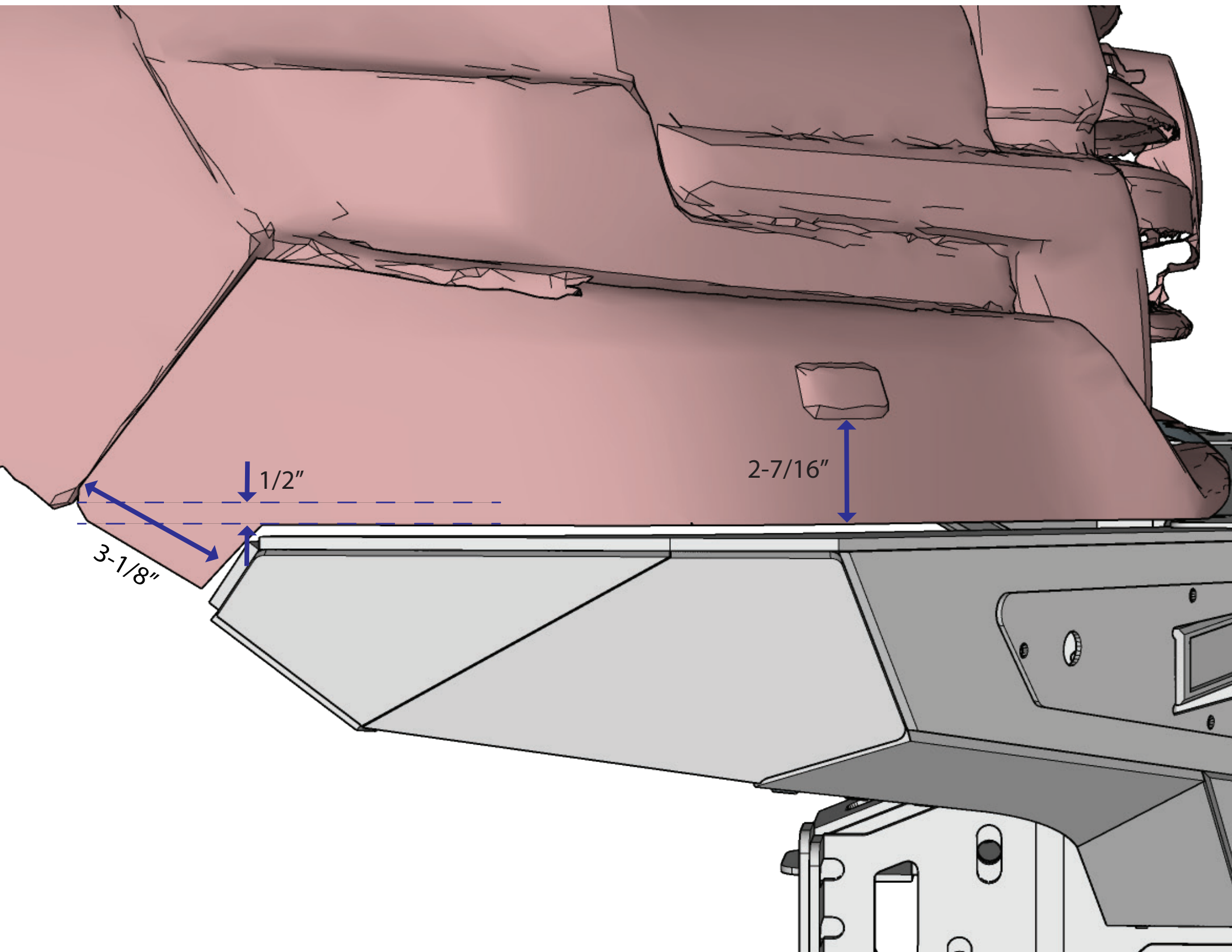


$2\text{-}7/16''$

$3/4''$

MID-POINT OF RADIUS



2-7/16"

1/2"

3-1/8"