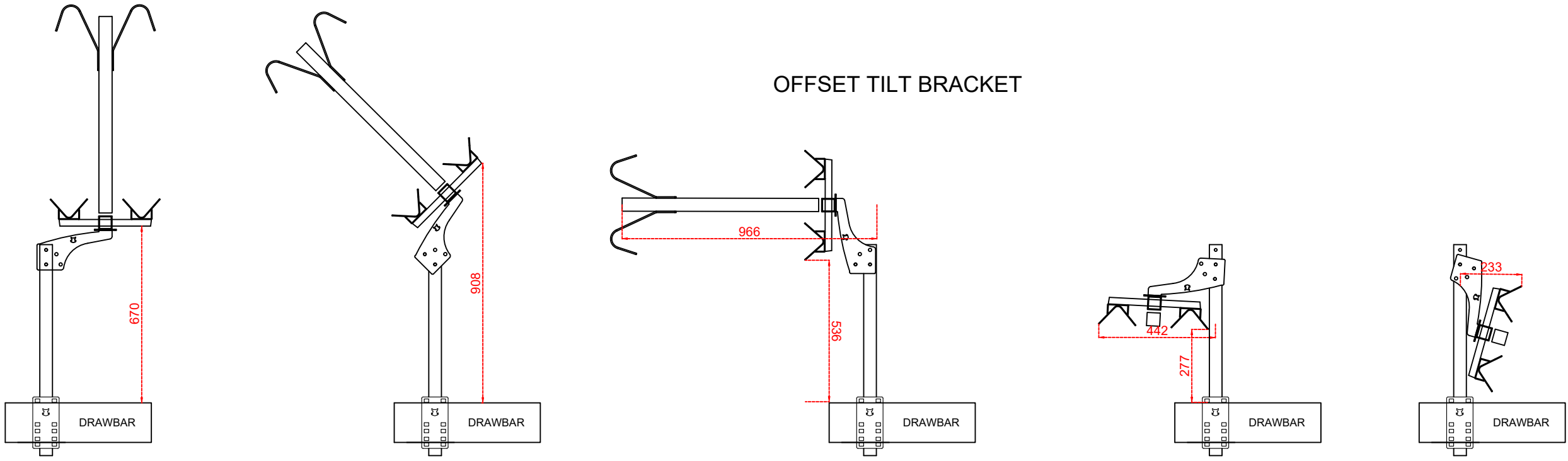




TILT DIAGRAM WITH DIMENSIONS

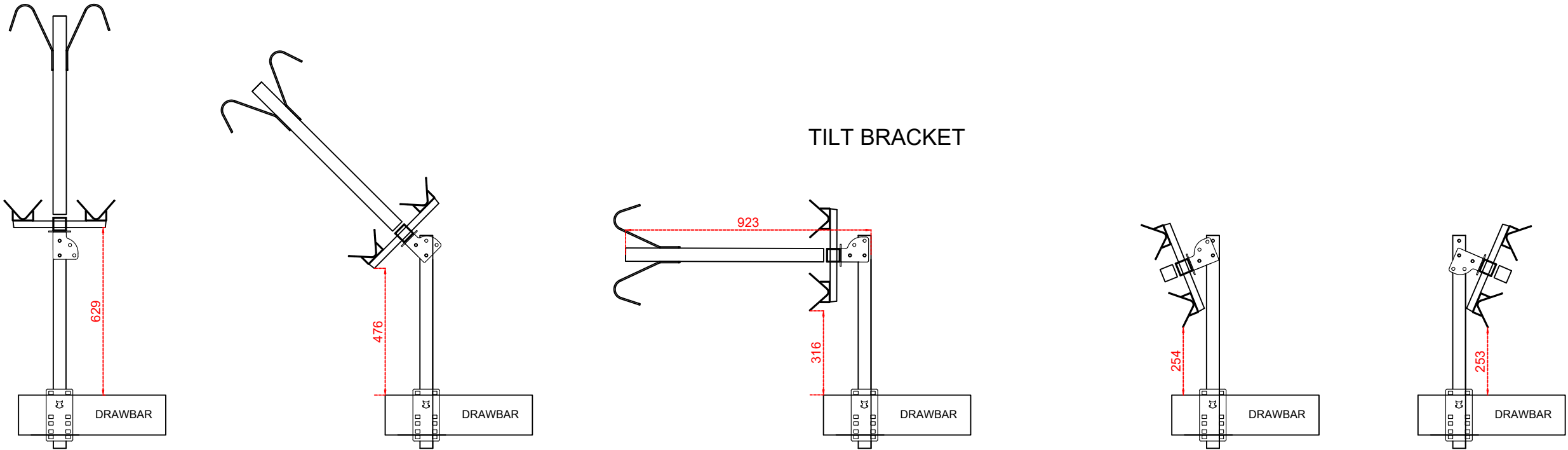
OFFSET TILT BRACKET



OFFSET TILT BRACKET HAS 3 TILT POSITIONS LOCKABLE BY RELOCATING QUICK RELEASE TILT PIN

FOLD DOWN CENTRE PIVOT POLE FOR FULL TILT

TILT BRACKET



TILT BRACKET HAS 3 TILT POSITIONS LOCKABLE BY RELOCATING QUICK RELEASE TILT PIN

FOLD DOWN CENTRE PIVOT POLE FOR FULL TILT