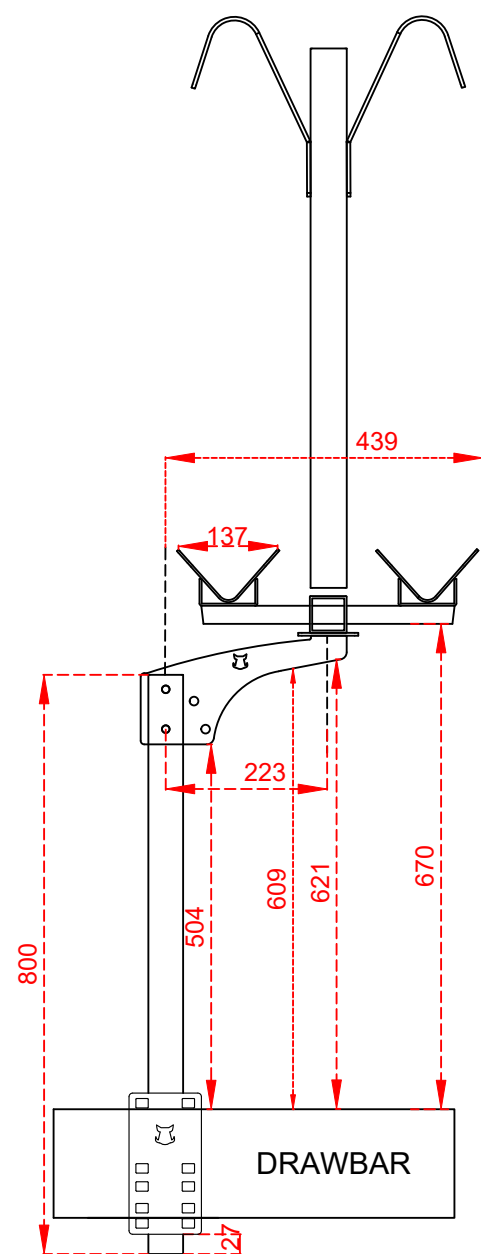


Offset Tilt Bracket



Tilt Bracket

FITTING GUIDE FOR FREEDOM 2 BIKE CARAVAN RACK



504mm - Minimum Height Clearance
(to bottom of offset bracket from drawbar)

670mm - Maximum Height Clearance
(to underside of bike rack from drawbar)

439mm - Maximum Depth
(centre of support pole to most outward wheel V of bike rack.)

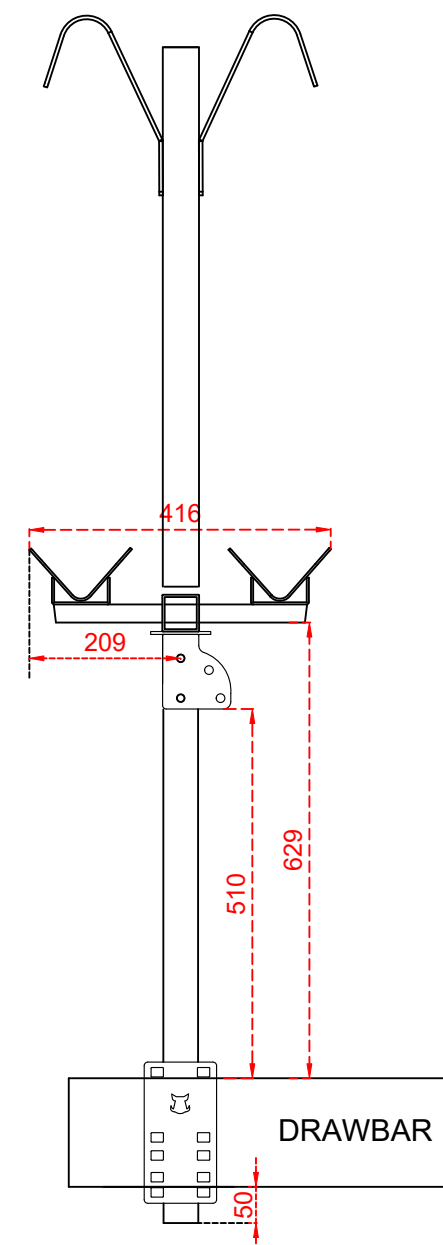
223mm - Offset Amount
(offset from centre of support pole to centre of bike rack)

510mm - Minimum Height Clearance
(to bottom of offset bracket from drawbar)

629mm - Maximum Height Clearance
(to underside of bike rack from drawbar)

209mm - Maximum Depth
(centre of support pole to most outward wheel V of bike rack.)

0mm - Offset Amount
(the Tilt Bracket sits in-line with the vertical support bar with the bike rack sitting directly on top.)



NOTE:

- 1) This guide is based on a 150 x 50mm drawbar. You can increase height measurements when using a different drawbar size. For example: for a 130mm high drawbar, you will not use as much of vertical support bar when bolting to drawbar, so you can add 20mm to each of these height related measurements.
- 2) Our standard vertical support poles are 800 mm in height. 1 metre vertical support bars can be provided at an additional cost of \$99. (if required)
- 3) We recommend 50mm protrusion of vertical support bar under the drawbar for bolting to.