










Level transmitter Manual

SUP-P260

Contents

1.Important Safety Instructions	-----3
2. Identifying the Contents and the Package	-----4
2.1 product package	-----4
2.2 the Model inforamtion	-----4
2.3 storage	-----4
3. Dimensions	-----5
4. Connection instruction	-----6
5. Installation and mounting	-----7
6. Operation	-----7
7. Technical data	-----8
8. Maintenance, cleaning and returns	-----9
8.1 Maintenance	-----9
8.2 Cleaning	-----9
8.3 Returns	-----9

1 Safety information

	DANGER!	This warning refers to the immediate danger when working with electricity.
	DANGER!	This warning refers to the immediate danger when using this device in a hazardous atmosphere.
	DANGER!	These warnings must be observed without fail. Even partial disregard of this warning can lead to serious health problems and even death. There is also the risk of seriously damaging the device or parts of the operator's plant.
	CAUTION!	Disregarding these instructions can result in damage to the device or to parts of the operator's plant.
	WARNING!	In general, devices from the manufacturer may only be installed, commissioned, operated and maintained by properly trained and authorized personnel.
	DC	DC power supply
	DANGER!	This warning refers to the immediate danger of burns caused by heat or hot surfaces.



NOTE!

Supmea level transmitter are applicable for hydrostatic level measurements in **ventilated** tanks or to measure water levels in open environment.

The manufacturer shall not accept liability for damage resulting from improper use or in the event of use contrary to the intended purpose.

In order to prevent any damage to the level sensor and to safeguard its process, mounting, installation and working, it must only be performed by **qualified personnel**.

Pls read carefully this manual before using the level sensor.

Please be aware that Supmea shall not be liable for any damages caused by improper handling

2 Identifying the Contents of the Package

2.1 checking the package

Unpack the box and check the contents before operating the pressure transmitter. If some of the contents are not correct or missing or if there is physical damage, please contact us.

2.2 checking the product model

A name plate is affixed to the pressure transmitter. Check that the model name and suffix code given on the name plate on the rear panel match those on your order. The device can be identified by its nameplate. It provides the most important data

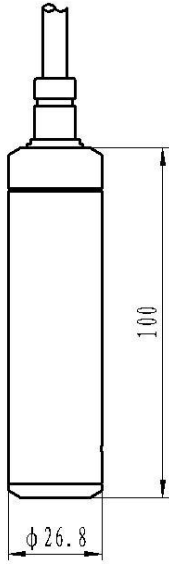


Module No.
Measuring range
Power supply
Signal output
SN No.
Manufacture information

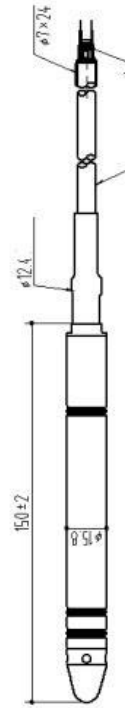
2.3 storage

The level sensor must be stored in dry, clean conditions and protected against external, mechanical damage!

3 Dimensions



SUP-P260



SUP-P261

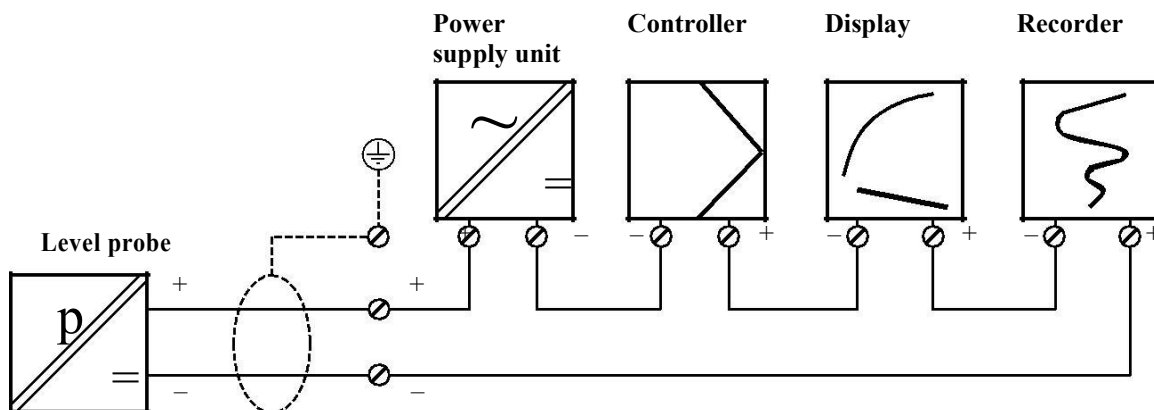
4 Connection instruction



NOTE!

Level sensors in free-field applications without integrated overvoltage protection should be protected against electrical discharge.

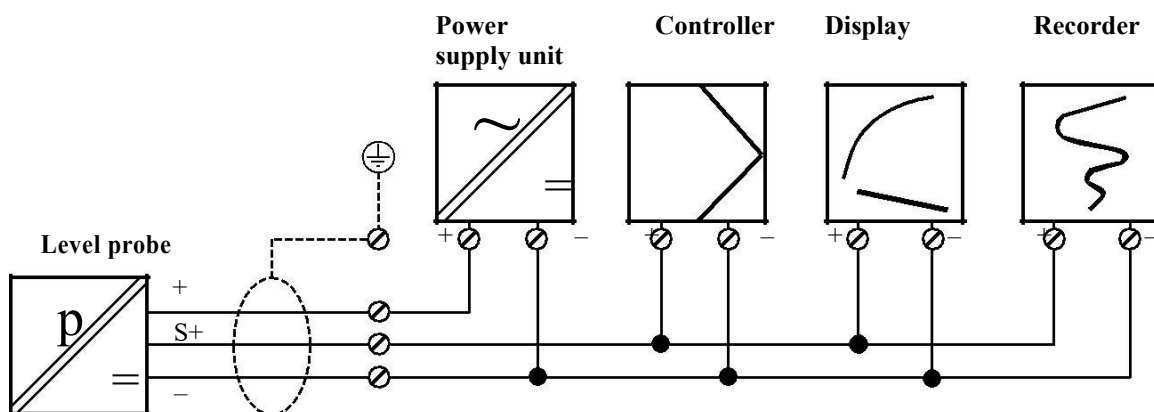
Current output



Red: supply +

Green: instrument +

Voltage output

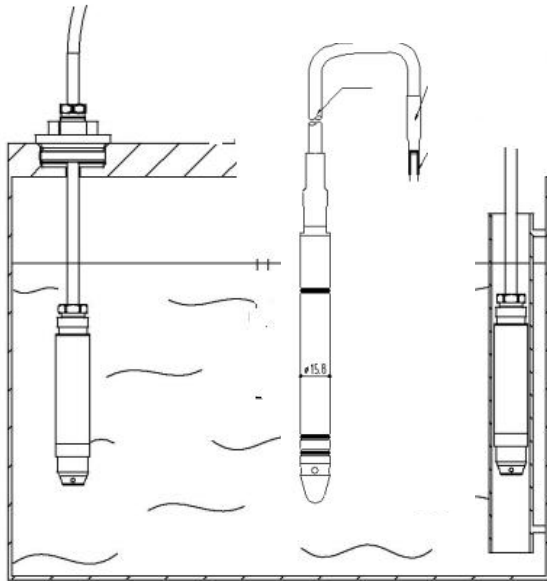


Red: supply +

Green: supply-

Yellow: instrument+

5 Installation and mounting



- (1) Level probe, hanging vertically in the medium
 - (2) Guide tube for level probe
-



NOTE!

The **membrane** at the process connection of the level sensor **MUST NOT** be damaged, otherwise it may result in incorrect measurements. The membrane **MUST NOT** contact with sharp or hard objects.

NOTE!

Cable

There is tube in the cable, pls do not block off.

NOTE!

Cable

The cable is made with special material,pls do puncture, scratch the wire

6. Operation



CAUTION!

The technical data in the installation instructions should be observed. During operation of the level sensor, it should be specially ensured that the admissible medium temperature is neither too high nor too low, and that the level sensor is not frozen in the medium. Meanwhile, the admissible excess pressure must not be exceeded.



NOTE!

Constantly changing medium temperatures may result in a zero shift, extreme variations in temperature, or even to device failure.

7 Technical data

7.1 Electrical data

Electrical connection

For further information, see chapter 4 Connection instruction , page 6.

7.2 SUP-P260/SUP-P261 Level sensor

General information

Parameter		
Standard Range	Pressure Type: gauge pressure	
	Pressure Range(mH ₂ O):0-200H ₂ m	
Technical Index	Signal Output	4~20mA 0~5VDC 0~10VDC
	Signal Line Specification	2wire 3wire
	Supply Voltage	12V 24VDC
	Accuracy	±0.5%FS
	Zero Drift	±0.03%FS/°C
	Thermal Sensitivity Shift	±0.03%FS/°C
	Longterm Stability (1 Year)	±0.2%FS
	Frequency Response (-3dB)	3.2kHz
	Compensated Temperature	0~+80°C
	Medium Temperature	0~+80°C
	Storage Temperature	-20~+80°C
	Overload Pressure	200% FS
	Medium Compatibility	Various media compatible with the 304/316L stainless steel
	Environmental Protection	IP68

8 Maintenance, cleaning and returns

8.1 Maintenance



NOTE!

Level sensors are normally maintenance-free.

8.2 Cleaning



NOTE!

The level sensor need to be cleaned at regular intervals,especially for the hole
The cleaning material used must not attack the material on the probe body or the seals.
The mechanical damage to the membrane and the cable must be avoided.

8.3 Returns



NOTE!

In case of defects , please send the level sensor with a completed declaration and details on the application to you local distributor or manufacture

Company:	Address:
Department:	Name:
Tel.no:	Fax no:
The device has been operated with the medium:	
Date:	Signature:



Supmea

Supmea Automation Co,Ltd

Tel:86-15158063876 E-mail : sales@supmea.com

Add : No.600,No.6 Street, Hangzhou Economic&Technological Development Area, Hangzhou,China

Website : www.supmea.com