

# SPINNAKER

## WATCH SIZING CHART

To view watch sizes with correct proportions, please follow these printing settings:

Paper Size: **A4**

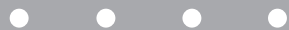
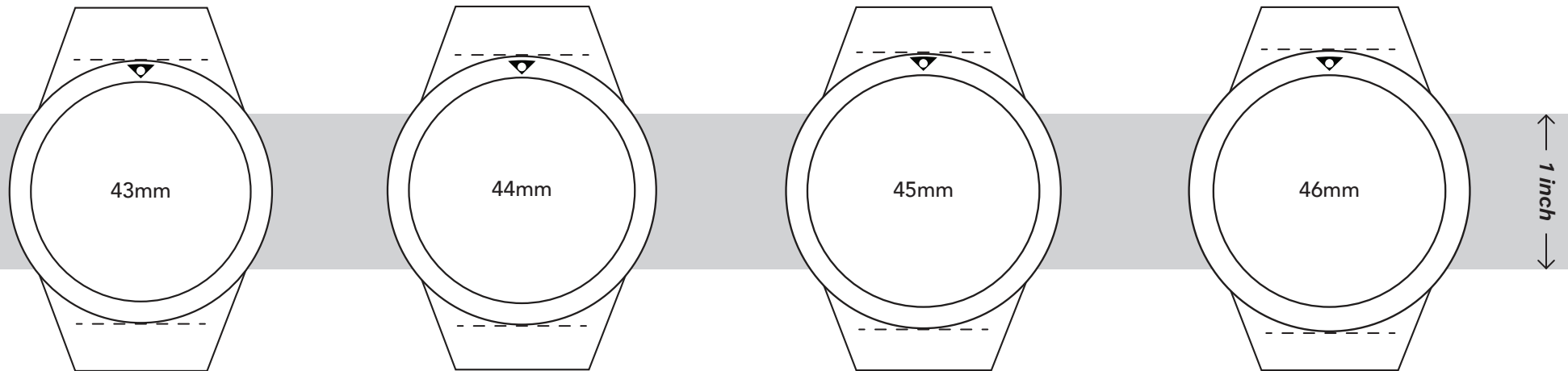
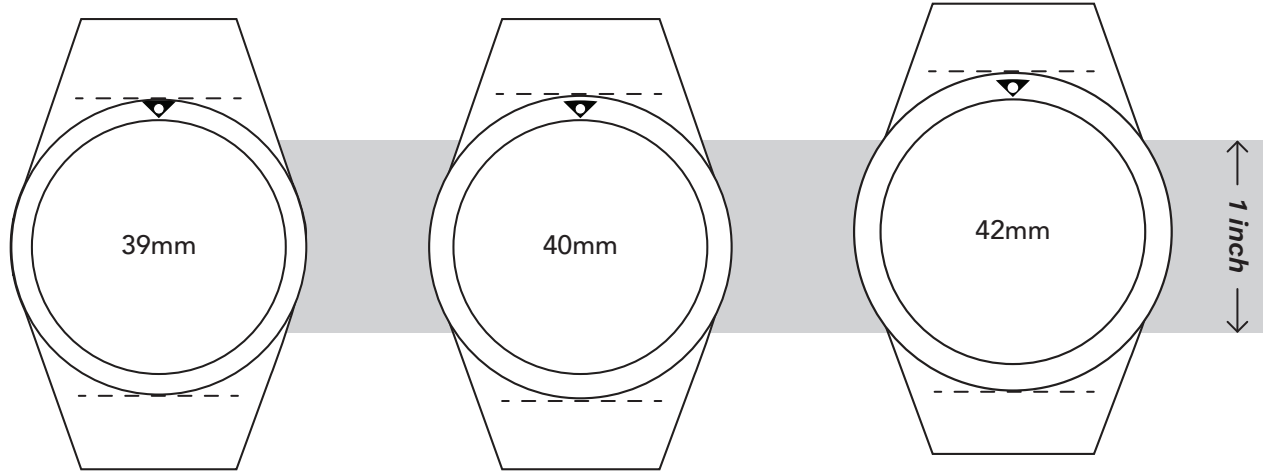
Orientation: **Landscape**

Scaling: **100% (Avoid any shrinking/scale to fit)**

You can measure the "1 inch" line with a ruler to ensure this page is printed correctly.



You will get an impression, how the diameter of the watch looks on your wrist.



**NOTE :** This information is provided as a general guideline for sizing purposes. Different watches have different lug-to-lug measurements, which vary from 0.5 to 0.8 inch.