

Fehom

Commercial Dehumidifier

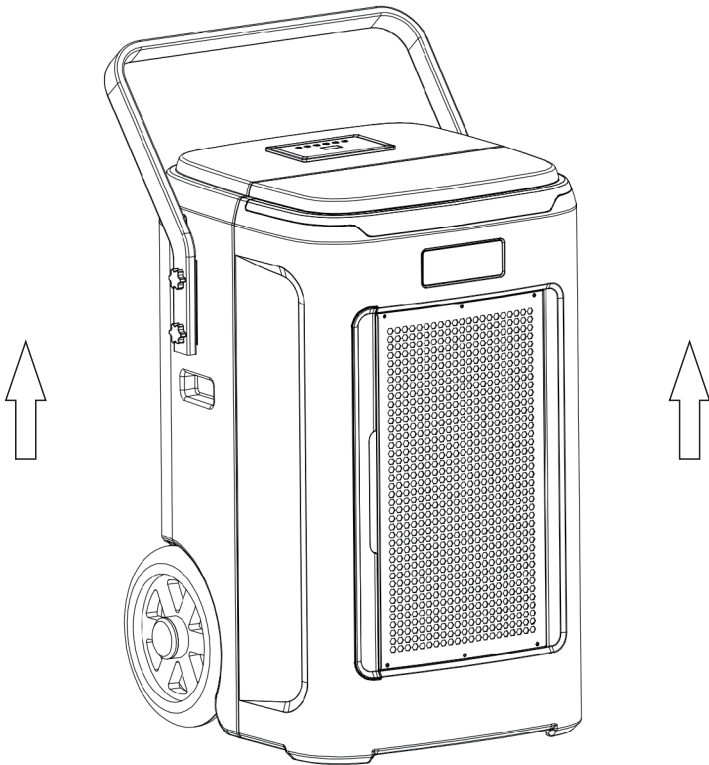
Please read the manual carefully
before using the unit

PDGT701BE

USER MANUAL

BEFORE FIRST USE:

To prevent any internal damage, it is very important to keep refrigeration units (like this one) upright throughout their journey. Please leave it standing upright and outside the box for **24 HOURS** before plugging it in.



FOR CUSTOMERS

Thank you for purchasing our dehumidifier.

Fehom wishes our products and services can bring convenience to your work and life.

We highly recommend you to keep the manual for reference, in case you encounter unexpected issues using this unit.

Please read the manual carefully to ensure proper use of the dehumidifier.

Our dehumidifiers are widely used in family bedrooms, bathrooms, basements, offices and storage rooms, etc.

It can be operated quickly and efficiently to reduce the room's humidity and bring you a healthy and comfortable life.

To Access Customer Support Faster

If there is any problems of the product, please contact Fehom Customer Service at support@feh.com with your Purchase Order ID, we will dedicate our efforts to help you address the problems.

CATALOG

Precaution For Use.....	01
Product Structure.....	02
Control Interface.....	03
Operation Instructions.....	04
Cleaning and Maintenance.....	12
Common Faults and Solutions.....	13
Safety Note.....	15
Technical Parameters.....	16
Warranty & Contact Information.....	17

Statement

The graphics and functions provided in this manual may not be the same as the actual product. Please always refer to the actual product.

The model of the machine on the manual is for reference only. Please operate the machine based on the actual product.

The right to interpret the relevant terms belongs to the company.

PRECAUTIONS FOR USE

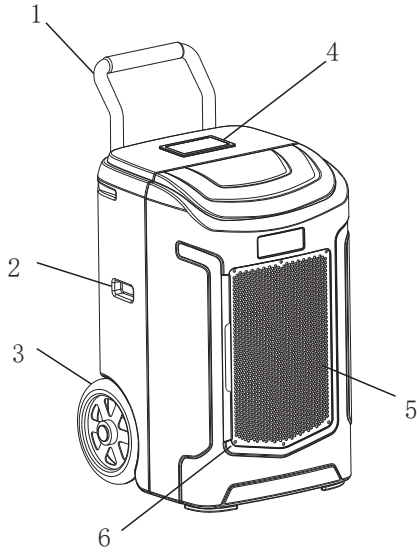
Safety Notes:

For your safety, please read the manual carefully and keep the manual before you use the product for reference. Please use this product according to the installation and operation instructions of this manual.

- Install the dehumidifier on flat surface to minimize vibration and/or noise.
- Inspect the power cord before use. Never operate the dehumidifier when the power cord or plug is damaged.
- Insert the three-prong plug on the power cord into a matching electrically grounded outlet (120V/60Hz, 15A at least). Do not use an adapter. Never cut off the third prong. Do not use an extension cord.
- Do not operate the dehumidifier in standing water. Keep motor and wiring dry.
- Never immerse the dehumidifier into water or other liquids.
- Do not put the dehumidifier close to heat-generating devices, including flammable or dangerous materials.
- Unplug the power supply before cleaning or storing the dehumidifier. Always grasp the plug (not the cord) to unplug.
- Do not put fingers or other items into air inlet or air outlet.
- Never insert any other objects into the dehumidifier body.
- Do not sit, stand or put heavy objects on the dehumidifier.
- This dehumidifier should only be used by adults who have read the manual and understand the operating procedure of the dehumidifier.
- The dehumidifier is not to be used by persons (including children) with reduced physical, sensory or mental capabilities, or lack of experience and knowledge, unless they have been given supervision or instruction by an adult.
- Never repair or remove plug and or power cord. Any repairs should be completed by qualified electrician or distributor.



PRODUCT STRUCTURE



1.Handle Bar

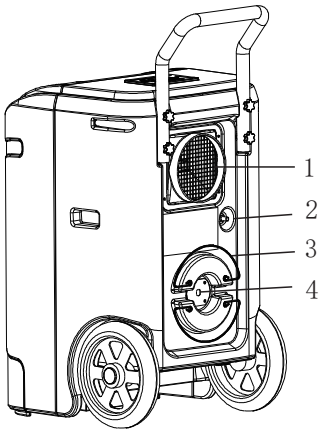
2.Handle

3.Wheels

4.Control Panel

5.Air Inlet

6.Air Filter



1.Air Outlet

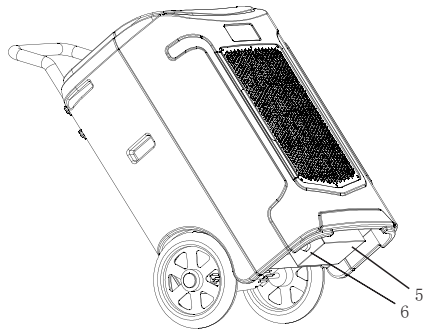
2.Pump Drain Outlet

3.Cord Winder

4.Power Cord Port

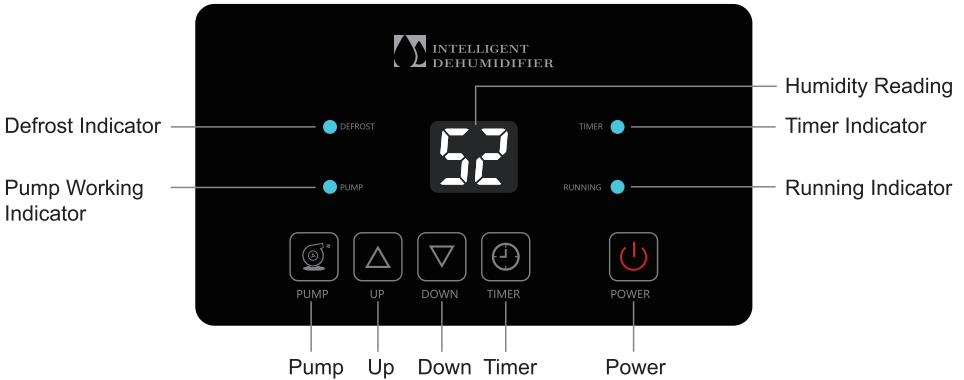
5.Pump Reservoir

6.Emergency Drain Outlet



CONTROL INTERFACE

1. Understand the Control panel



Button Instruction



POWER Button
Press to turn ON or OFF.



Up Button
Setting the humidity up.



DOWN Button
Press to decrease the set-point of humidity level or timer.



TIMER Button
Press to enable the timer function or confirm the timer settings.



PUMP Button
Press and hold the PUMP button for 3-5 seconds to empty water from the pump reservoir manually.

2.Setting

- The humidity level can be set within a range of 10%RH to 98%RH in 1% increments.
- When it starts work, it will first automatically detect and show the room's humidity. Press the "UP" button to change the humidity selection in 1% increments.Press "DOWN" to make it decrease by 1%RH. "52" Flash and show the setting humidity.
- When the humidity level is set at 30%RH, the dehumidifier will work at continuous dehumidifying mode.
- Press the "function" button once or no button operation for a few seconds will automatically exit the humidity setting state.

Timer Setting

In the power on or standby state, press the "Timer" button once to enter the timer setting state: Timing indicator light up and the digital number "52" flashes to show the time.

In the timing setting state, press the "Up" or "Down" button to set the desired time (setting range: 01-24h, can be cycled).

Press the button once again or no button operation for a few seconds, the timing setting state will automatically be exited.

If the time is set to be 00, the time setting is invalid.

Pump Function

- When water tank is full, the PUMP will automatically start pumping water, and the indicator light will flash.
- When the water level in the water tank is too low, the PUMP will automatically stop pumping water, and the indicator light goes out.
- In the power-on state, long press the "PUMP" button for 3 seconds, the PUMP function is forced to open, the indicator PUMP will flash.

OPERATION INSTRUCTION

Auto Defrost

When the frost builds up on the evaporator coils, the compressor will cycle off and the fan will continue to run until the frost disappears.

Auto-Restart

If the dehumidifier shuts off unexpectedly due to power being cut, the dehumidifier will restart with the previous function setting automatically when the power resumes.

Auto Drain

Thanks to the built-in pump, the dehumidifier will drain the condensation water automatically.

Wait 3 Minutes before Resuming Operation

To avoid any damage to the dehumidifier, the dehumidifier will not start operation following a complete cycle until after 3 minutes. Operation will automatically start after 3 minutes.

Note: If the dehumidifier has been turned off before power outage, the dehumidifier will not auto restart after the power resumes.

3. Display Status Description

- When the machine is defrosting, the defrost indicator ●_{DEFROST} will be flashing, defrosting end the light goes out.
- When the pump is draining, PUMP Indicator ●_{PUMP} will be flashing.
- When set or check the timer, the timer indicator ●_{TIMER} will be flashing.
- When the timer is setup properly the indicator ●_{TIMER} will light up, light goes out when timer function is not activated.
- When the fan delays to start, running indicator ●_{RUNNING} will be flashing; it will light up when the fan is running.
- 1. Digital number will be flashing when the target humidity is setting or the room humidity is lower than the set humidity.
2. When the setting value is read out to be lower than the room humidity, the digital number will remain illuminated.

4.Error & Protection Code

Number	Error Code	Name of The Fault	Note
1	E1	Humidity Sensor Failure	The compressor and the fan keep running. Unplug the dehumidifier and then re-plug, the dehumidifier may restart again.
2	E2	Defrost Temperature Sensor Failure	
3	E4	Temperature Sensor failure	
4	EP	Water pump failure	<ol style="list-style-type: none">1. Turn off the dehumidifier and unplug it;2. Find the gravity drain outlet at the bottom of the dehumidifier and connect the emergency hose to drain;3. After emptying the reservoir, close the gravity drain outlet;4. Connect the pump drain hose; Re-plug and start the dehumidifier to check the pump function.
5	EC	Control Panel Failure	The dehumidifier will not be ready for operation.

Attention

When the machine signals the alarm, it will flash or display the alarm, in case there are multiple errors on the unit, it will display the errors in turn.

When one of above malfunctions occurs, the buzzer will alarm for a few seconds, press any key during the alarm to release the alarm sound.

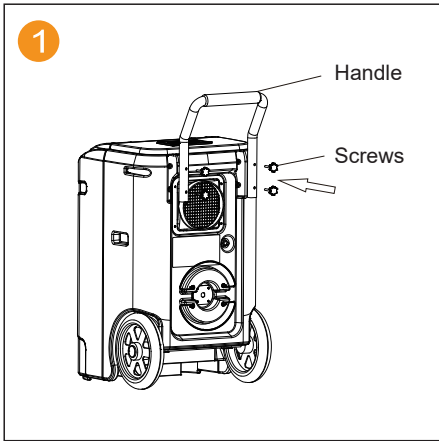
If the malfunction is still present, please don't hesitate to contact Fehom Customer Service email: support@fehom.com for help.

Note:

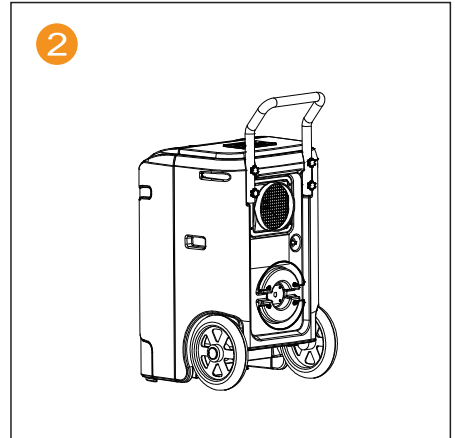
Before starting the machine, please ensure that the air outlet has been opened, otherwise the machine will overheat. Do not pull out the power cord directly to stop the machine.

5.Installing the Handle

1. Take out 4 screws and a handle from the accessories, and put the handle into the groove at the back of the humidifier, making the screws correspond to the screw holes.
2. Tighten all the four screws on the hands respectively, the installation is finished.



Put the handle into the groove at the back of the dehumidifier, making the 4 screws correspond to the screw hole.



Tighten all the four hand screws, complete the installation.

6. Continuous Drainage

This dehumidifier has an internal pump that will automatically drain the condensate out via the long drain hose. Before turning on the dehumidifier, make sure the hose has been connected to the drain outlet properly.

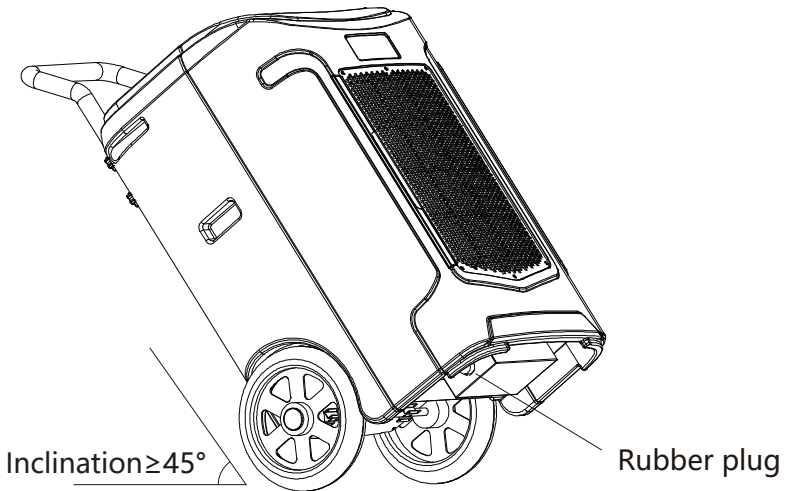
1. Uncoil the entire hose;
2. Attach the hose to the drain outlet;
3. Place the unattached end of the hose in a sink, drain bucket or outdoors: Anywhere that the water can drain out safely (Please ensure that no kinks or other obstructions will stop the water to flow).

NOTE:

- Ensure that water which runs to outdoors does NOT create a slip hazard.
- If you use a bucket or other container for water collection, check it regularly to prevent overflows.
- The drain hose for the water pump can drain up to 15ft vertically. More than 15ft may cause water back up to the pump resulting in leakage.
- When turning off the dehumidifier, please take the hose out from the water collection container to avoid the water back-flow and cause water leakage.

7.Manual Drainage

In power-disconnected status, tilt the dehumidifier as the figure shown, pull out the rubber plug and put the dehumidifier straight to drain the sewage in the water tank.



CLEANING AND MAINTENANCE

⚠ WARNING:

Turn the dehumidifier off and remove the plug from the wall outlet before cleaning.

A-Cleaning the Dehumidifier

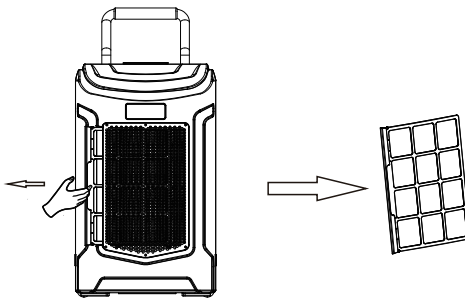
Clean the dehumidifier housing with a soft damp cloth. Do not submerge or place water on the dehumidifier or control panel. Water may damage the electronic components of the dehumidifier. Do not use chemical solvents such as benzene, alcohol, gasoline or other heavy-duty cleaners. The surface may become damaged or deformed.

B-Cleaning the Air Filter

The working performance of the dehumidifier will be greatly reduced if the filters become blocked. Please check and clean the filter regularly.

To Clean the Filter

- 1) Slide the filter out.
- 2) Vacuum any dirt from the filter using the vacuum cleaner and air gun attachment.
- 3) Immerse the filter into lukewarm water (about 104°F) with a mild detergent, and then wash it and allow it to dry.
- 4) Once dry, re-install the filter into the dehumidifier.



C-Dehumidifier Storage & Transportation

When you want to store the dehumidifier because you don't use it for a long time. Please pay attention to the following steps:

- 1) Press and hold the PUMP button for 3-5 seconds to empty the water in the pump reservoir before transportation or storage.
- 2) Transport and store the dehumidifier upright.

COMMON FAULTS AND SOLUTIONS

Check the information below for troubleshooting steps that will save you time to resolve issues that may happen with the unit.

The list includes most issues but not the results of defective unit, crafts or materials in the unit. If all the troubleshooting steps have been exhausted and issue is stilling occuring, feel free to get in touch with Waykar Customer Service to get further assistance.

Problem	Reason	Method
Dehumidifier does not operate	Lack of electrical power	Check the power supply
	Not turned on	Turn it on
	Unit has ever been turned off in 3 minutes	Wait for about 3 minutes till the unit auto start
	Target humidity setting is higher than room humidity	Set a lower target humidity value
Dehumidifier removes little water	Insufficient working time	Allow more working time
	Filter is blocked	Clean filter
	Low room temperature	Heat up the room
	Airflow has been blocked	Make sure the air inlet and outlet is away from objects
Dehumidifier operating but room not dry	Doors and windows are open	Seal room from external areas

COMMON FAULTS AND SOLUTIONS

Leaking	The dehumidifier is tilted.	Place the dehumidifier on flat surface.
	Drain hose connection is not tight	Make sure the drain hose connection is tight
	The drain hose is blocked	Check hose for restrictions
Noise	The dehumidifier is tilted	Install the dehumidifier on flat surface to minimize vibration and noise
	The filter is blocked	Clean the filter
The pump does not drain	The pump reservoir is not in place	Place the pump reservoir at the correct position
	The pump is defective	Replace the pump
	The pump reservoir gets dirty	Clean the pump reservoir

Warning:

If the dehumidifier is still not working properly as expected and the troubleshooting steps or solutions above may not resolve the issues, please unplug the power and shut down the dehumidifier, then contact Fehom customer service via support@fehom.com.

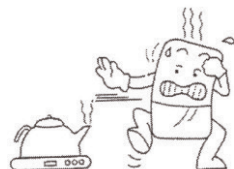
SAFETY NOTE



- 1 When using, make sure doors and windows are closed to get the best humidity removal effect.



- 2 Do not insert thin rods and hard objects into the fuselage to avoid malfunction and danger.



- 3 When using, please keep the machine away from heating furnace, electric kettle and other heat sources.



- 4 When cleaning the dehumidifier fuselage, please use wet cloth or textile to wipe the unit's surface gently, do not splash water on the unit directly.



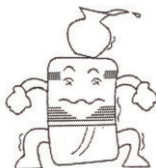
- 5 Please do not put objects around the body. If the ventilation is blocked, the dehumidification effect will be affected.



- 6 If do not use the product for a long time, please unplug the power cord.



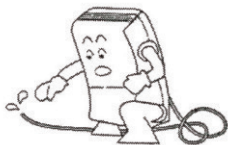
- 7 When on continuous drainage, make sure the drainage pipe is placed horizontally on the ground. Avoid the pipe to be on uneven surface or in an arch position.



- 8 Please do not put any object on the dehumidifier.



- 9 Please clean the filter every two weeks (do not use hot water above 104°F, gasoline or toluene).



- 10 When continuous drainage, the drainage pipe must be placed horizontally, cannot be an uneven and winding situation.



- 11 After cleaning the filter, do not dry the unit under direct sunlight to avoid filter deformation.



- 12 Before moving and carrying the machine, please first pour out the water in the tank.

TECNICAL PARAMETERS

MODEL NO.	PDDT701BE
POWER SOURCE	120V~60Hz
RATED POWER(95°F,90%RH)	1150W
RATED CURRENT(95°F,90%RH)	10.3A
MOISTURE REMOVAL(65°F,60%RH)	50 Pints/Day
MOISTURE REMOVAL(80°F,60%RH)	90 Pints/Day
MOISTURE REMOVAL(86°F,80%RH)	150 Pints/Day
MOISTURE REMOVAL(95°F,90%RH)	180 Pints/Day
INPUT POWER(65°F,60%RH)	610W
INPUT CURRENT(65°F,60%RH)	5.5A
REFRIGERANT	R410a(20.11oz.) (570g)
MAXIMUM ALLOWABLE PRESSURE	6.2MPa
HIGH PRESSURE	4.0MPa
LOW PRESSURE	1.7MPa

 WARNING:

This product can expose you to chemicals including Styrene and its compounds, which is known to the State of California to cause cancer and birth defects or other reproductive harm.

For more information, please visit: [www. P65Warnings.ca.gov](http://www.P65Warnings.ca.gov)

Warranty

Fehom offers a 12-month warranty to all of our products together with the original proof of purchase when a defect occurred, including those newly purchased and unused, from Fehom or through an authorized reseller, wholly or substantially, or as a result of faulty manufacturing parts, or workmanship during the Warranty Period.

The warranty does not apply if damage is caused by other factors, including but without limitation of:

- (a) Normal wear and tear;
- (b) Abuse, mishandling, accident or failure to follow operating instructions;
- (c) Exposure to liquid or infiltration of foreign particles;
- (d) Servicing or modification of the product other than by Fehom.

These are our general terms for the warranty service, but we always suggest our customers to reach out to us with any issue, regardless of warranty terms. If you experience an issue with a Fehom product, please contact us at support@fehom.com, we will dedicate our efforts to resolve it for you.

Extend Your Warranty by 1 Year

Register your product at www.fehom.com to extend your 1-year warranty by an additional year.

*Please fill out all required fields and include your Order ID, Date of Purchased if applicable.

Customer Support

If you have any questions or concerns about your product, please feel free to contact our expert support team. Fehom customer service is here to help.

Fehom Office

13211, Spring Street Baldwin Park, CA, US

Email: support@fehom.com

Live Chat: www.fehom.com

Support Hours

24 Hours available

*Please have your order number before contacting customer support.

Fehom

For FAQs and more information please visit:
www.fehom.com



@Fehom



@Fehom



@Fehom



@Fehom



(Scan the QR Code for Live Chat)

We are expecting to see our products fulfill your life and hear your voice.

Your satisfaction means a lot to us.

Please tag us if you share a snap on your social media.

www.fehom.com