

INSTRUCTION MANUAL



6 X 8 THE WINDOW SUKKAH



HIGHEST QUALITY
BEST PRICE

6 X 8 THE WINDOW SUKKAH



PARTS LIST

"PLEASE NOTE THE POLES ARE A FEW INCHES SHORTER THAN THEIR LISTED SIZE AS THE CONNECTORS ARE ALSO RESPONSIBLE FOR SOME OF THE LENGTH OF THE SUKKAH."



10- 3FT POLES



8- CORNER
CONNECTORS



16- 4FT POLES



11- 2 WAY
CONNECTORS



2- T CONNECTOR
WITH
ONE STOPPER



2- 6X8 & 2- 8X8
WINDOW
WALLS

STEP 1:

USE THE 2 WAY CONNECTORS TO COMBINE THE POLES INTO A LONGER POLE

USE 2 WAY CONNECTORS TO COMBINE 10, 3FT POLES TO CREATE 6FT POLES



USE 2 WAY CONNECTORS TO COMBINE 12, 4FT POLES TO CREATE 8FT POLES



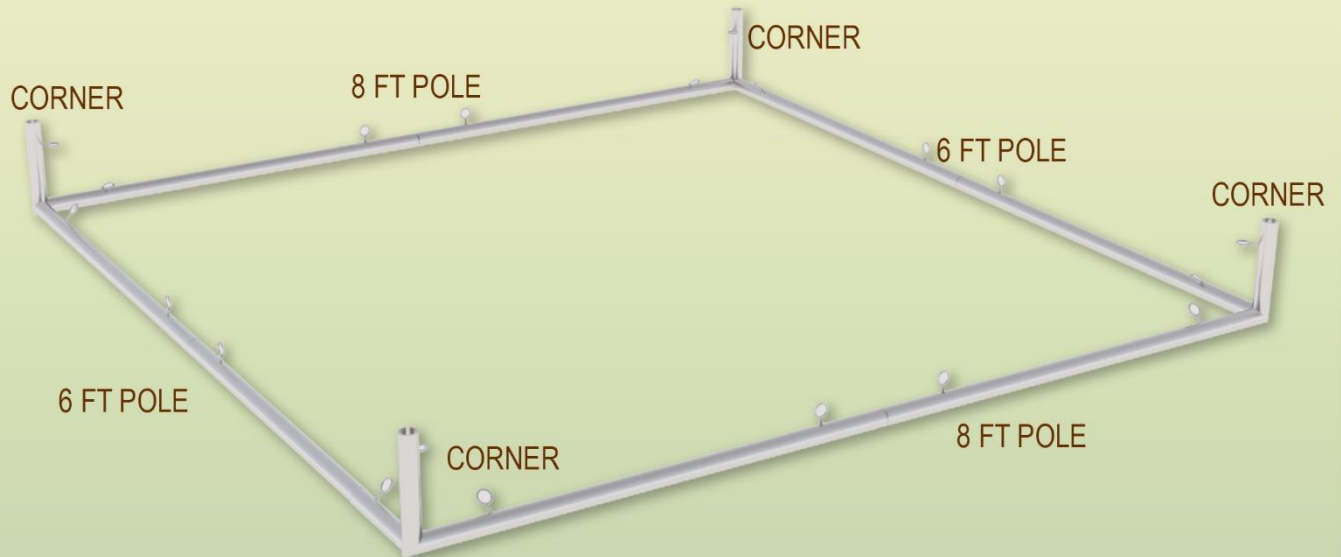
USE THE T CONNECTORS WITH ONLY ONE STOPPER (VERY IMPORTANT TO USE THE CORRECT T CONNECTOR) TO COMBINE 4, 4FT POLES TO CREATE 8FT POLES.



“THESE POLES WILL BE USED AT THE TOP OF YOUR SUKKAH FRAME. THE T CONNECTOR LETS YOU ADD A CENTRAL CROSS BEAM TO SUPPORT THE SCHACH.”

STEP 2:

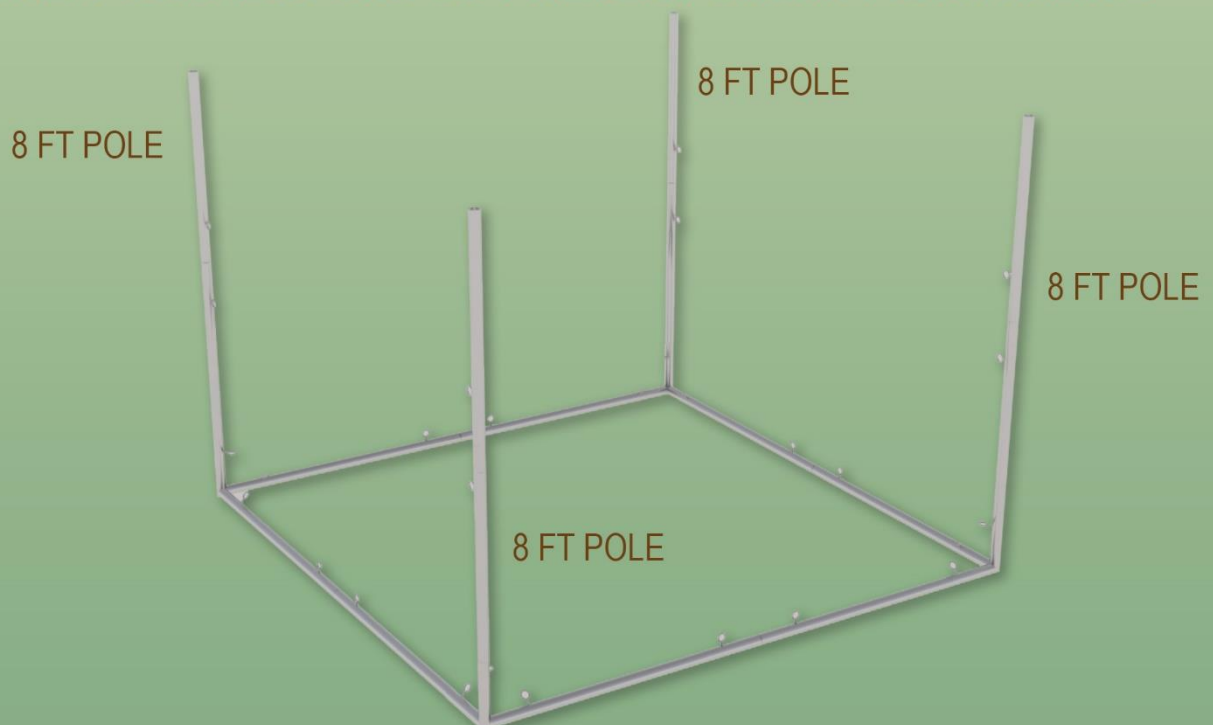
ASSEMBLE THE BASE OF THE SUKKAH BY LAYING OUT AND CONNECTING THE POLES CONNECTED BY 2 WAY CONNECTORS.



VERY IMPORTANT: MAKE SURE TO LAY OUT THE CORNER CONNECTORS WITH THE TWO STOPPERS SITTING ON THE GROUND, AS THE VERTICAL POLES SHOULD GO INTO THE SOCKETS WITHOUT ANY STOPPERS.

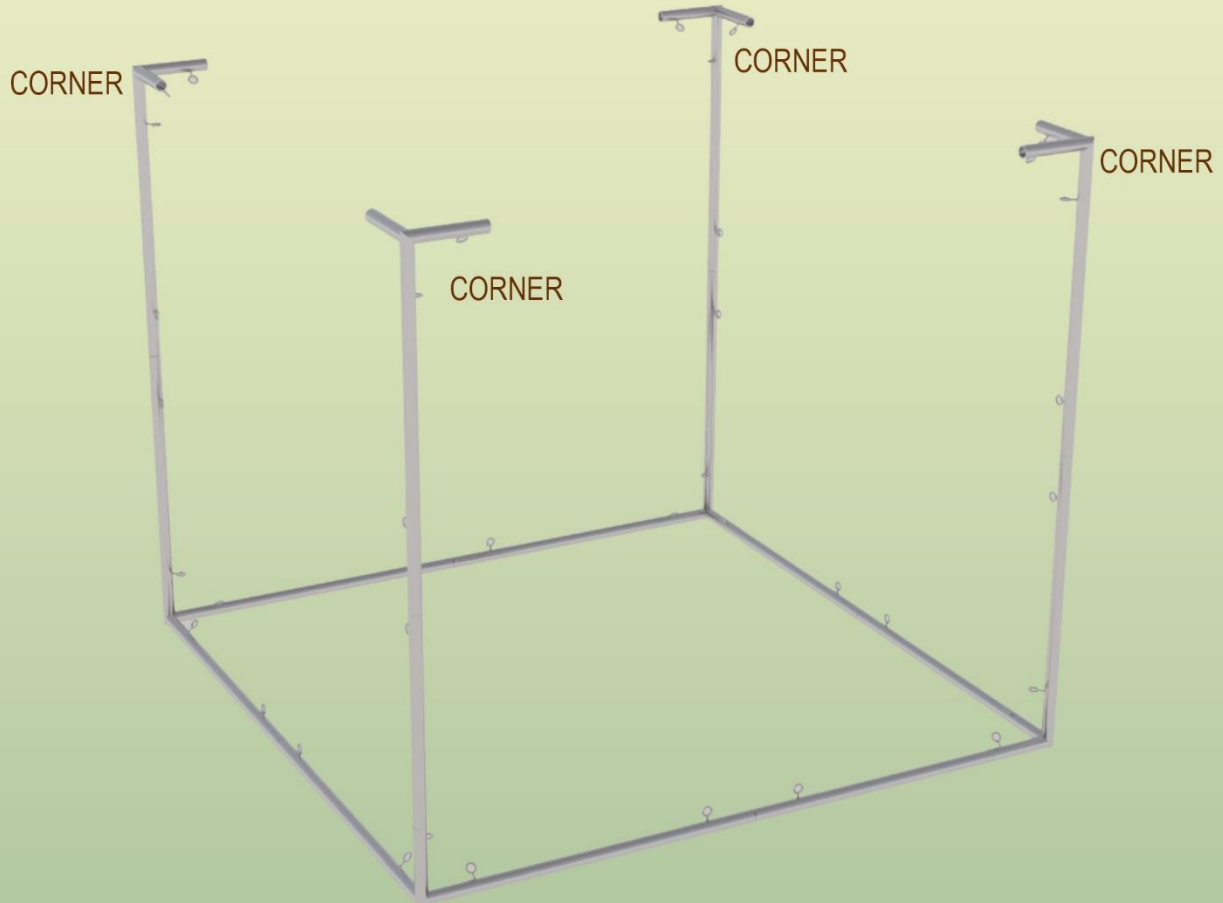
STEP 3:

INSERT THE VERTICAL 8FT POLES AND TIGHTEN. ENSURE THE POLES ARE STABILIZED. ESPECIALLY THE ONES IN THE T CONNECTORS TO PREVENT THEM FROM FALLING



STEP 4:

PLACE THE TOP CONNECTORS IN POSITION, BUT DO NOT TIGHTEN THEM UNTIL THE TOP FRAME POLES ARE INSERTED.

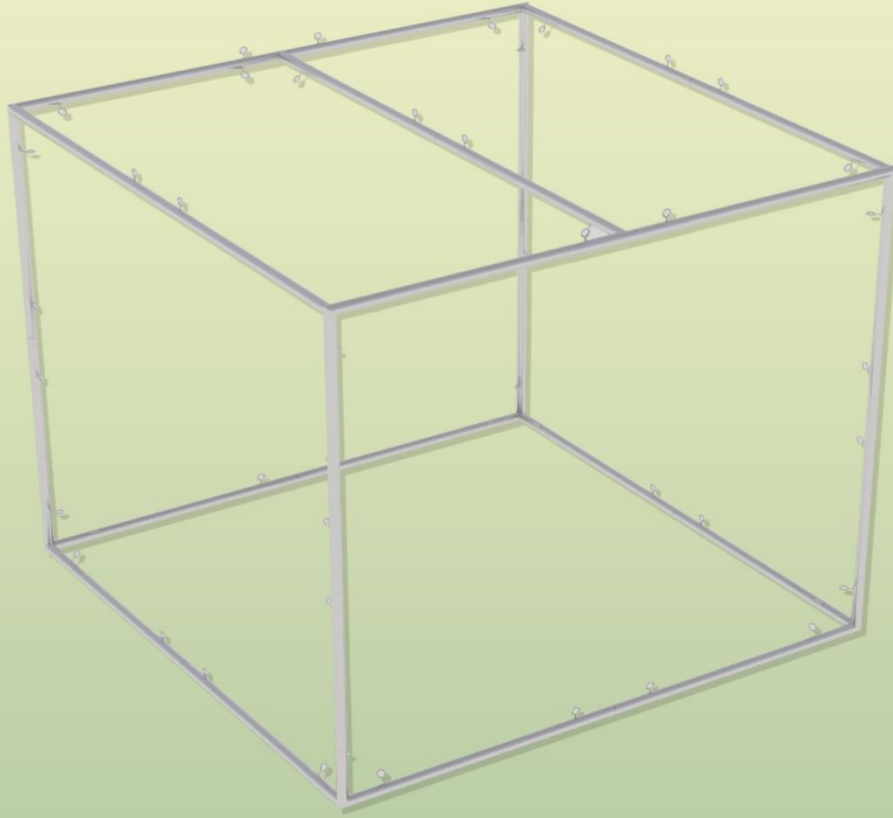


**VERY IMPORTANT:
BE SURE TO PLACE THE CORNER CONNECTORS
IN TO THE VERTICAL POLES USING THE
SOCKET WHICH DOES NOT HAVE A STOPPER.**



STEP 5:

ADD IN THE REST OF THE POLES FOR THE ROOF.



STEP 6:

SAFELY OPEN THE SUKKAH FABRICS AND HANG THEM BY STRAPPING THE VELCRO STRAPS AROUND THE FRAME ON TOP.

THE TOP OF THE FABRIC CAN BE DISCERNED BY LOOKING AT WHERE THE WINDOW COVERS ARE. THE SUKKAH DOOR FABRIC CAN BE PLACED IN ANY FRAME PANEL WHICH IT FITS IN.

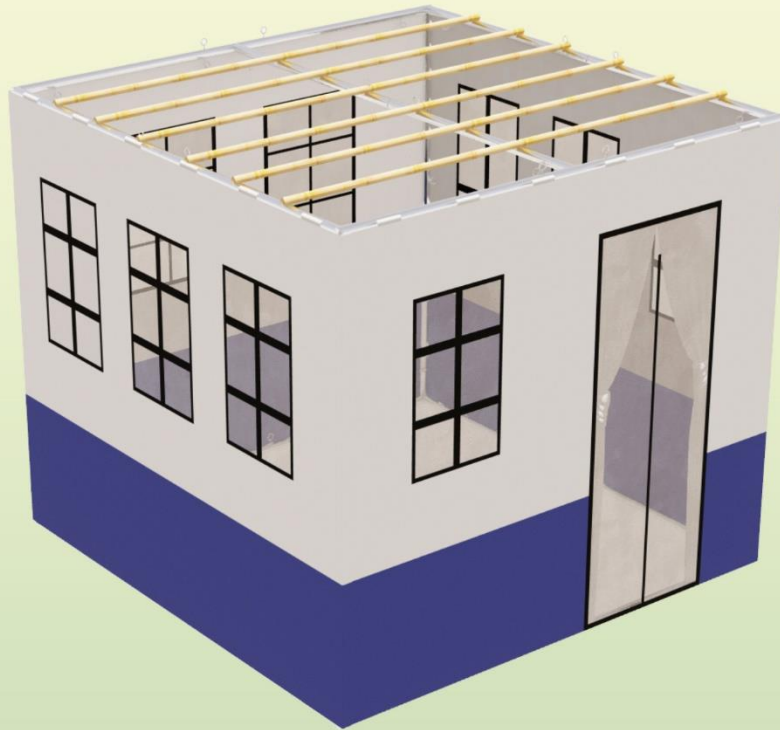
SECURE SOME OF THE BOTTOM VELCRO STRAPS, BUT DO NOT CONNECT THE FABRIC TO ITS NEIGHBORING FABRIC JUST YET. FIRST, FINISH SECURING ALL THE WALLS, AND ONLY THEN BEGIN TO CONNECT THEM TOGETHER.

FINALLY, FINISH SECURING THE REMAINING BOTTOM VELCRO STRAPS.



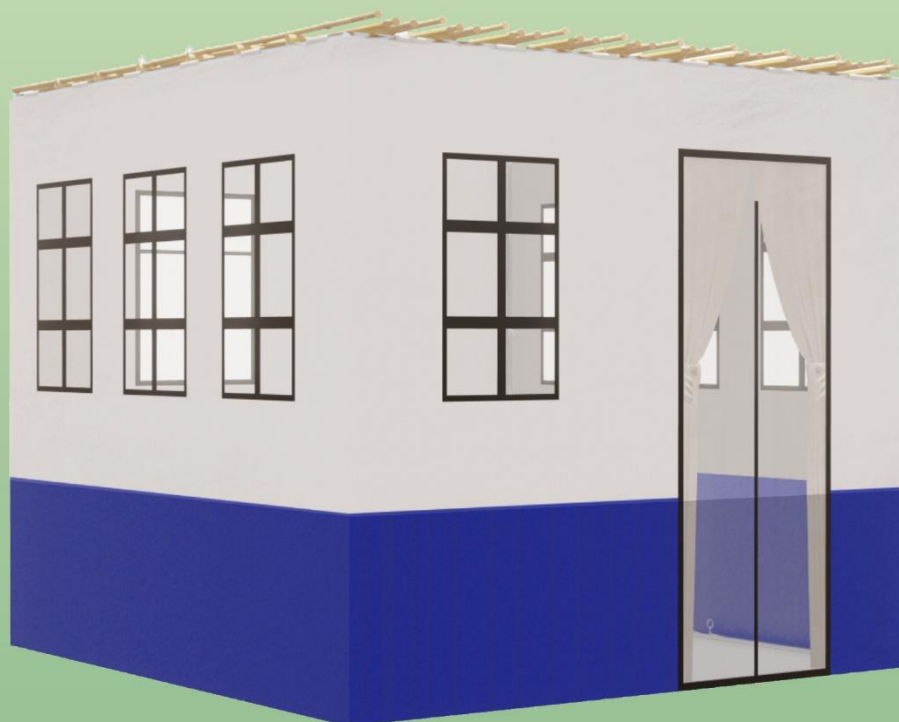
STEP 7:

ARRANGE THE BAMBOO POLES ALONG THE LENGTH OF THE SUKKAH IN PREPARATION FOR THE SCHACH MATS.



STEP 8:

FINALLY, ROLL THE SCHACH MATS DOWN THE LENGTH OF THE SUKKAH, MAKING SURE THE BAMBOO SLATS ARE PERPENDICULAR TO THE BAMBOO SUPPORT POLES AND NOT PARALLEL, TO ENSURE THAT THE SCHACH SITS ON TOP SECURELY. THIS WILL COMPLETE YOUR SUKKAH!



STEP 9:

ENSURE THAT YOUR SUKKAH IS SECURELY ANCHORED TO THE GROUND TO WITHSTAND THE WEATHER CONDITIONS IN YOUR AREA. IF HIGH WINDS ARE EXPECTED, PLACE WATER WEIGHTS ON BOTH SIDES OF THE ENTRANCE AND THE BACK CORNERS.

STEP 10:

STORE YOUR SUKKAH KIT ONLY WHEN COMPLETELY DRY. PURCHASE A STORAGE BAG AT [THESUKKAHPLACE.COM](https://thesukkahplace.com) TO PROTECT YOUR SUKKAH KIT.

**THANK YOU FOR
TRUSTING THE SUKKAH PLACE!**



thesukkahplace.com



info@thesukkahplace.com