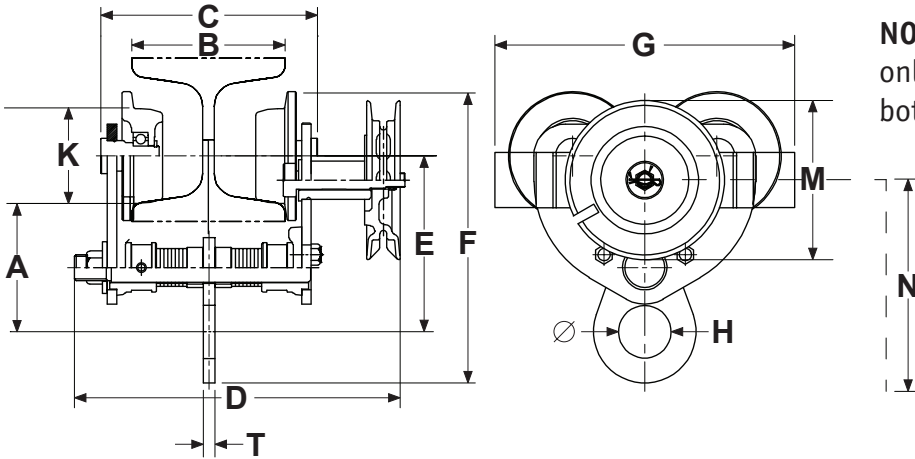


PLAIN AND GEARED TROLLEYS

DATA SHEET



NOTE: Dimension **D** is for the Geared Trolley only. All other dimensions are the same for both the Plain and Geared Trolleys.

NOTE: Dimension **N** is equal to the length of the drop chain minus six inches. The hand chain drop length will be supplied as requested.

NOTE: The "X" in the model numbers are "P" or for Plain Trolleys and "G" for Geared Trolleys .

MODEL NUMBERS		PTR050	XTR100	XTR200	XTR300	XTR500	XTR750	XTR1000
CAPACITY (POUNDS)		1,100	2,200	4,400	6,600	11,000	16,500	22,000
FITS FLANGE WIDTH (INCHES)		3.0 - 8.0	3.0 - 8.0	4.0 - 8.0	4.0 - 8.0	5.0 - 8.0	5.0 - 8.0	5.0 - 8.0
WHEEL TREAD DIAMETER (INCHES)		2.17	3.16	3.94	4.45	4.82	4.82	4.82
MINIMUM RADIUS CURVE (INCHES)		48	56	67	83	114	122	122
HEADROOM (INCHES)		4.7	4.7	6.1	7.3	8.7	11.3	11.3
NET WEIGHT (POUNDS)	Plain	17	26	44	68	106	150	161
	Geared	N/A	37	56	79	117	161	172
DIMENSIONS (INCHES)								
A		4.1	4.2	4.9	6.1	6.8	8.3	8.3
B		8.0	8.0	8.0	8.0	8.0	8.0	8.0
C		10.1	10.1	10.2	11.0	11.2	11.9	12.2
D		N/A	13.8	14.0	15.0	15.2	18.6	18.6
E		5.3	5.7	6.9	8.4	9.3	10.8	11.7
F		8.7	9.5	11.8	13.9	15.6	17.0	17.0
G		8.1	11.0	12.2	13.8	15.7	15.8	15.8
H		1.8	1.8	2.4	2.8	3.2	3.5	3.5
K		2.2	3.2	3.9	4.4	4.9	4.9	4.9
M		N/A	5.5	5.5	7.5	7.5	7.5	7.5
N		VARIES	VARIES	VARIES	VARIES	VARIES	VARIES	VARIES
T		0.4	0.4	0.4	0.6	0.9	0.9	1.0