

MOBILE LIFT SOLUTIONS THAT CAN GO ANYWHERE

Spanco® Industrial Tripods provide mobile, heavy-lifting solutions almost anywhere — including tight spaces and outdoor locations. Your lifting is no longer limited to areas with overhead structures or access to cranes or forklifts.

For fast height adjustment, the tripod's telescoping legs are independently adjustable in six-inch increments — which is also ideal for set-up on uneven surfaces.

The tripod's free swiveling eyebolt hangs plumb to protect the head from twists and strains while also keeping the lifting device perfectly plumb.



Spanco Tripod Features

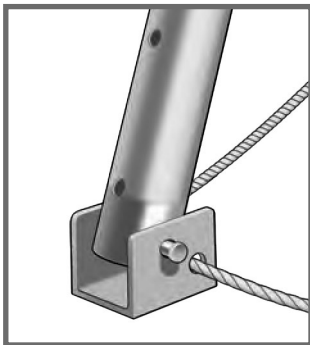
- Spanco Tripod can be used on all hard surfaces with our standard aluminum flat feet.
- You can also order your tripod with mud feet for soft ground. The mud feet have integral spikes to firmly entrench the legs and a Wide-Flange to prevent the legs from sinking into the ground. Order both types of interchangeable feet for maximum flexibility on all surfaces.
- Our cable lashing kit (included with all orders) keeps the tripod's legs from spreading.
- Quick, easy setup: Tripod legs conveniently fold and unfold for portability and storage; no disassembly required.
- Capacities up to 2 tons for steel and aluminum tripods.

Lifting Device Compatibility

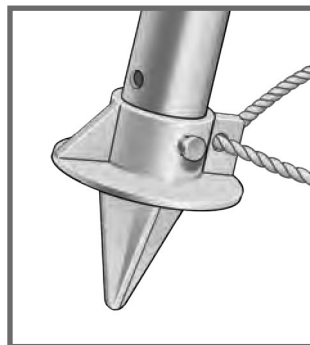
- Frequently used with pulleys or block and tackle.
- Compatible with most 1 and 2-ton chain-mounted manual hoists.

SPANCO TRIPOD CRANES

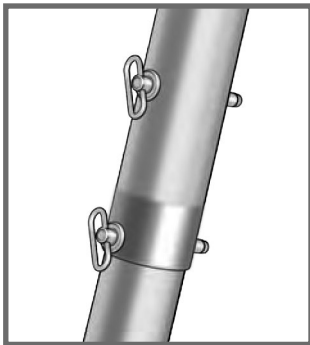
Tripods	Capacities	Heights Under Eyebolt
Steel	1-ton or 2-ton	from 5' 2" to 13' 9"
Aluminum	1-ton or 2-ton	from 5' 2" to 13' 9"



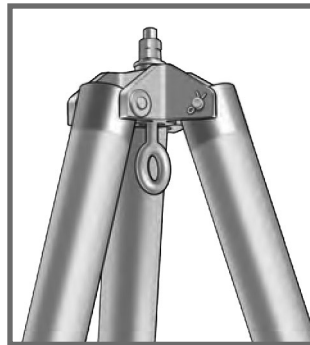
Aluminum flat feet



Steel mud feet



Adjustable Height



Swiveling Eyebolt



A worker using a Spanco Tripod with Mud Feet to lift a manhole cover single-handedly.



Spanco Tripods are easily disassembled and transported from one jobsite to another

SPANCO TRIPODS

TRIPODS



Flat Aluminum Feet (standard)

A CAPACITY	B HEIGHT: EYEBOLT TO FLOOR		C OVERALL LENGTH		F DISTANCE BETWEEN LEGS		NET WT. (LBS.)	MODEL
	Min.	Max.	Min.	Max.	Min.	Max.		
1-TON Steel Adjustable	8' 7"	13' 9"	10' 0"	16' 2"	9' 3"	14' 6"	220	ATS-02-1309S
1-TON Aluminum Adjustable	5' 2"	8' 7"	6' 0"	10' 0"	5' 10"	9' 2"	60	ATA-02-0805S
	6' 10"	11' 2"	8' 0"	13' 0"	7' 7"	11' 9"	70	ATA-02-1107S
	8' 7"	13' 9"	10' 2"	16' 2"	9' 3"	14' 6"	140	ATA-02-1309S
2-TON Steel Adjustable	8' 7"	13' 9"	10' 0"	16' 2"	9' 3"	14' 6"	220	ATS-04-1309S
2-TON Aluminum Adjustable	6' 10"	11' 2"	8' 0"	13' 0"	7' 7"	11' 9"	120	ATA-04-1107S
	8' 7"	13' 9"	10' 2"	16' 2"	9' 3"	14' 6"	140	ATA-04-13095S

Mud Feet (for soft ground)

A CAPACITY	B HEIGHT: EYEBOLT TO FLOOR		C OVERALL LENGTH		F DISTANCE BETWEEN LEGS		NET WT. (LBS.)	MODEL
	Min.	Max.	Min.	Max.	Min.	Max.		
1-TON Steel Adjustable	8' 7"	13' 9"	10' 0"	16' 2"	9' 3"	14' 6"	220	ATS-02-1309M
1-TON Aluminum Adjustable	5' 2"	8' 7"	6' 0"	10' 0"	5' 10"	9' 2"	60	ATA-02-0805M
	6' 10"	11' 2"	8' 0"	13' 0"	7' 7"	11' 9"	70	ATA-02-1107M
	8' 7"	13' 9"	10' 2"	16' 2"	9' 3"	14' 6"	140	ATA-02-1309M
2-TON Steel Adjustable	8' 7"	13' 9"	10' 0"	16' 2"	9' 3"	14' 6"	220	ATS-04-1309M
2-TON Aluminum Adjustable	6' 10"	11' 2"	8' 0"	13' 0"	7' 7"	11' 9"	120	ATA-04-1107M
	8' 7"	13' 9"	10' 2"	16' 2"	9' 3"	14' 6"	140	ATA-04-1309M

