

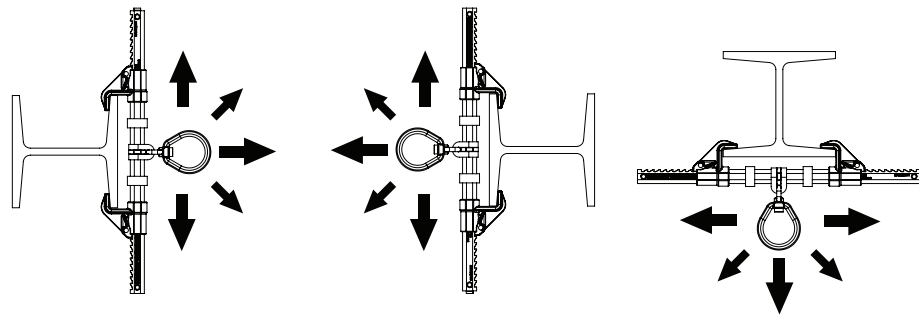
DESCRIPTION

Super Slider 5,000-lbf / 22kN Beam Anchor

A removable and reusable sliding I-beam anchor, easy to place and remove. This anchor is designed to easily glide along the beam while trailing the worker. Available as an adjustable 12"-30" size with a minimum flange thickness of .25".



A12305000



SPECIFICATIONS

- ▶ **UTS**
5,000-lbf / 22kN
- ▶ **Max User Weight**
310-lbs / 140kg
- ▶ **Working Load**
1000-lbs / 454kg

MATERIALS

- ▶ **Clamps**
Bronze
- ▶ **Support Bar**
Aluminum
- ▶ **Swivel**
Zinc Plated Steel
- ▶ **Swivel Mount**
Stainless Steel
- ▶ **Rollers**
Nylon

PRODUCT CONFIGURATIONS

MODEL	APPLICATION	COLOR	LOADING	WEIGHT
A12305000	I & H Beams	Bronze	5,000-lbf (22kN)	3282g