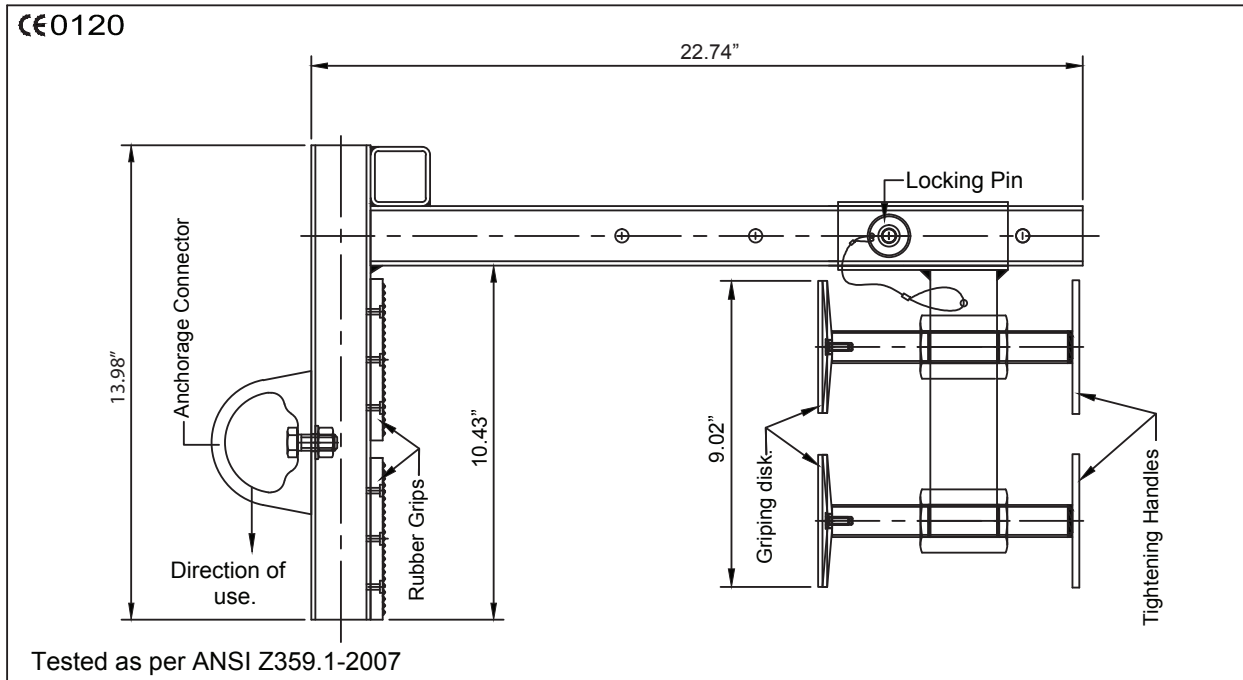


TECHNICAL SPECIFICATIONS

Parapet Anchor

Parapet Anchor. Galvanized Steel. 2.36" – 14.17" parapet range. Min breaking strength 5000 lbs. Meets or exceeds ANSI Z359.1-2007.



- DESIGN:**
- Anchor suitable to be installed on the parapet of a building such that the anchor point lies at the top on the outside facade of the building.
 - Suitable to be installed on varying thicknesses of a parapet. Width adjustment feature provided.
 - Tightening on to the parapet by use of rubber disks.

MIN. WIDTH OF THE PARAPET ON WHICH INSTALLATION IS POSSIBLE: 2.36 in.

MIN. WIDTH OF THE PARAPET ON WHICH INSTALLATION IS POSSIBLE: 14.17 in.

MATERIAL: High strength alloy steel

FINISH: Silver/yellow galvanized

SYSTEM STRENGTH: Greater than 25 kN

CONFORM TO NORM: Meets or exceeds ANSI Z359.1-2007

WEIGHT: 19.84 lbs. ± 0.22 lbs.