

PN: A3145001

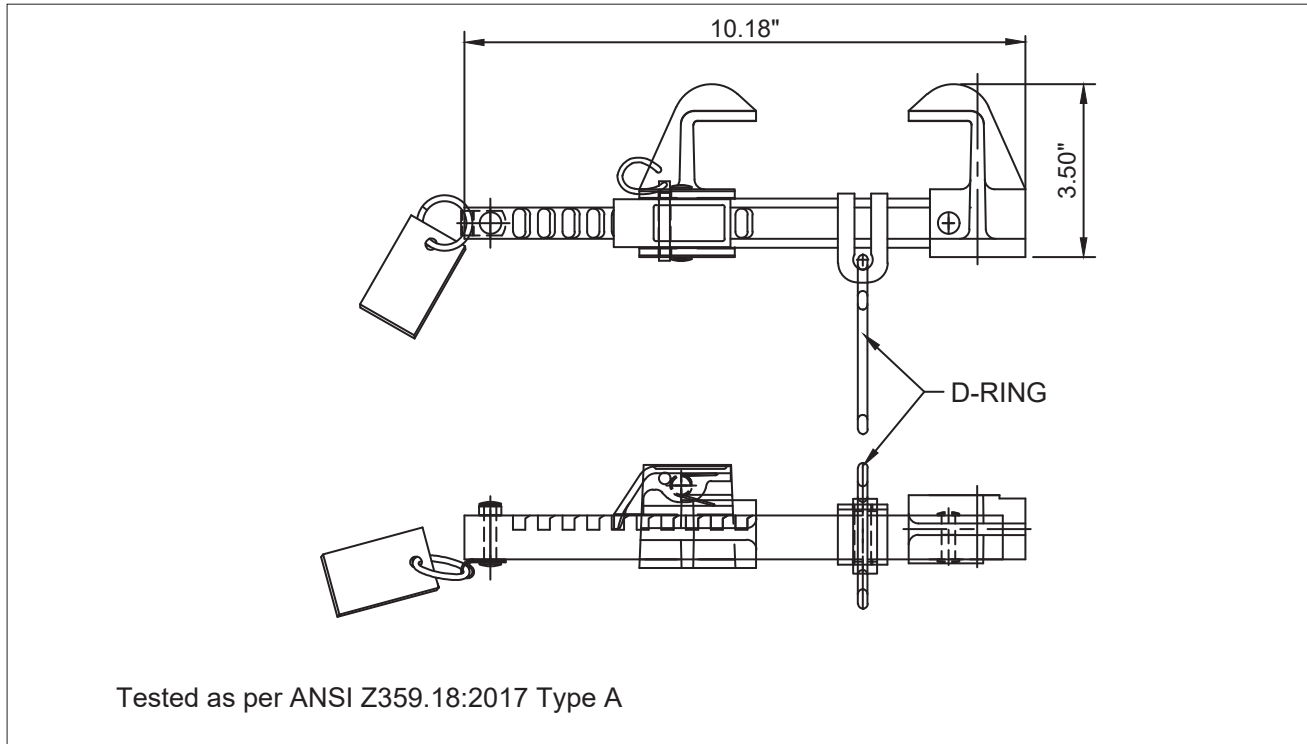


• Fall Protection • Competent Training • Netting • PPE

Phone: (504) 733-1808
Fax: (504) 733-2996
PalmerSafetyUS.com

TECHNICAL SPECIFICATIONS

BEAM ANCHOR



- Anchor capable of being installed on flange of beams.
- DESIGN:** • Adjustment of the jaw to variable positions enables it to be installed to varying flange widths.

MIN FLANGE WIDTH SUITABLE FOR INSTALLATION: 74 mm (2.92")

MAX FLANGE WIDTH SUITABLE FOR INSTALLATION: 150 mm (5.90")

MATERIAL: Aluminum Alloy & Brass

SYSTEM STRENGTH STRENGTH COMPLIANCE: Greater than 5000 lbs. (2268 kg)

CONFORM TO THE NORM: ANSI Z359.18:2017 Type A

WEIGHT: 3.43 lbs. ± 0.22 lbs. (1556 gm. ±100 gm).