

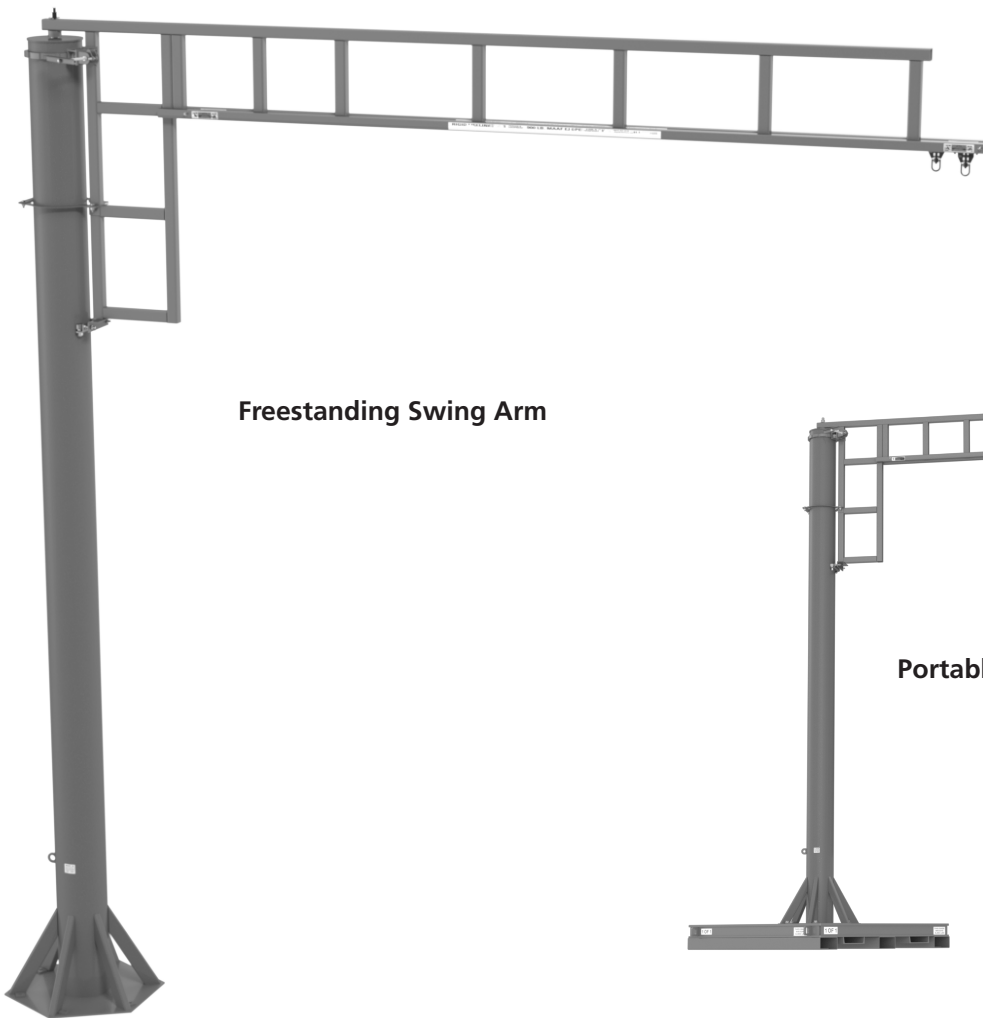
RIGID
LIFELINES

Division of Spanco, Inc.

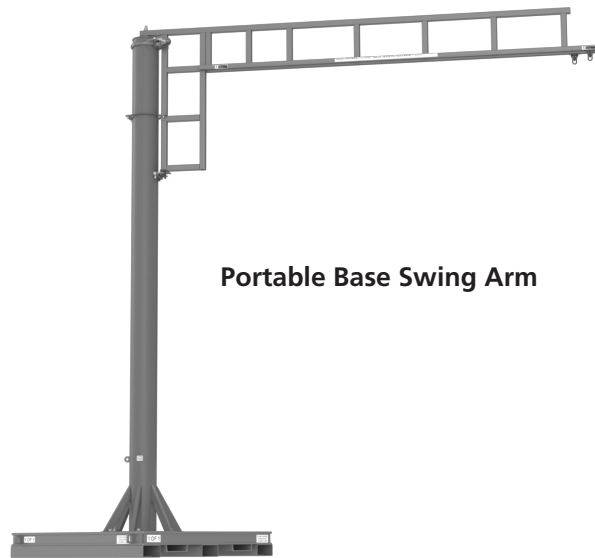
FREESTANDING SWING ARM

ANCHOR TRACK™ SYSTEM

Assembly and Operation Instruction Manual



Freestanding Swing Arm



Portable Base Swing Arm

A N C H O R
TR**CK**

ISO 9001:2015 Registered

Manual 103-0070

Effective Date: August 2021



WARNING

RIGID LIFELINES CONDITIONS OF USE AND WARNING STATEMENT

1. Read, understand, and follow the manual, assembly drawings, and warnings provided with your system **before** beginning installation.
2. This manual, and any other instructions, must be provided to the users of this equipment. The user must understand the equipment's proper use and limitations.
3. A fall event can result in serious injury or death. This equipment, when used properly, reduces the chances of those outcomes.
4. Always perform a hazard analysis **before use** that will identify impact hazards, swing hazards, or any other hazards that may exist. Address and correct all hazards **before use**.
5. Always have a written rescue plan that defines who will rescue a fallen worker, what equipment will be used, and optimum rescue response time. If the same system will be used for rescue, a minimum of a two-man system must be specified.
6. Follow all current requirements of ANSI Z359 (or CSA Z259 in Canada).
7. Each component and system must be employed and maintained in accordance with all OSHA and ANSI standards.
8. Per OSHA and ANSI (or CSA Z259 in Canada) requirements, designate a competent person who can fulfill obligations of all regulations.
9. Note the maximum number of users and weight capacities are listed on a label on the system. Exceeding the capacities listed on this label can result in serious injury or death.
10. Always check for overhead hazards, such as power lines, trees, overhead structures, or walls, before using or moving system.
11. Any component replacement, addition, or change to any portion of the system must be evaluated by a Qualified Person as defined by OSHA standards.
12. Never use this system for material handling.
13. Never use the system with scaffolding.
14. Never use the system alone without a monitor. Use the buddy system when using fall protection. The monitor, or "buddy," does not need to be attached to the system, but just nearby supervising.
15. Consult with a qualified person for minimum fitness requirements for workers. Determination of minimum fitness levels of workers prior to use of system is by others.
16. For mobile systems—It is the responsibility of the user and their management's Competent Person to determine that the system's base is level, the masts are plumb, and that the entire, leveled system is stable before every use.
17. For movable track systems—Always use the system in work spaces that allow you to move the system's runway as close as possible to the center of the work area.
18. **Before each use**, inspect the system for bent, broken, cracked, or missing components.
19. A competent person must thoroughly inspect the system **annually** and **after each fall event**.
20. There should never be any type of loading past the end stops for any reason.
21. When connecting track sections on runway systems, track splice and truss splice plates are required. For trussed track, splice joint centers must be within maximum 48 inches of the hanger support centers unless otherwise specified. For plain track, splice track centers must be within maximum 18 inches of the hanger support centers unless otherwise specified.
22. Systems with flush clamp hangers do not require sway bracing. However, all systems mounted to the ceiling must be laterally and longitudinally braced with bracing provided by others.



WARNING

RIGID LIFELINES CONDITIONS OF USE AND WARNING STATEMENT

23. If supplied, all drive systems are chain driven, and as a result, will experience some backlash in the drive assembly. Although backlash cannot be fully eliminated, it can be reduced by tightening the drive chain. Torque limiters, if supplied, require special attention. Most drive issues result from improper torque limiter adjustment or installation.
24. It is the customer's responsibility to confirm that the system and components will work in and are acceptable for their specific application and environment.
25. For foundation-mounted systems, bracing is not required for non-seismic applications. However, if any sway is perceived as undesirable, lateral bracing can be installed to the system by others. To achieve desired rigidity for a specific application, Rigid Lifelines® recommends consulting a professional engineer in your area to satisfy all codes and ordinances. For foundation-mounted systems, chemical anchor bolts supplied by others are required and must provide approximately 7000-pound pull-out force. More accurate pull-out forces are available upon request.
26. Engineering of any attachment points must be done by others.
27. Component appearances and dimensions shown are approximate and subject to change without notice. All catalog dimensions are developed using standard components for the spans and capacities. Substitution of optional trolleys or other components will affect certain dimensions.
28. All Rigid Lifelines Anchor Track™ Systems meet or exceed OSHA and ANSI requirements.
29. Never load the track at an angle greater than specified in the system's user manual.
30. Never use the system with the attachment point below the D-Ring of the harness.
31. Only the following self-retracting lanyard (SRL) design specifications are acceptable for use on Rigid Lifelines Anchor Track Systems:
 - a) 900-pound maximum average arresting force (MAAF)
 - b) 4.5 feet-per-second lock up speed
 - c) Disk or drum braking mechanism
 - d) Wire rope SRL's can be used for indoor or outdoor applications
 - e) Fabric or web SRL's can be used only for indoor applications
32. The following energy-absorbing lanyards are **not** acceptable: rip-stitch packs, shock packs, or stretchable energy.
33. Choose the shortest length SRL that will allow the workers to perform their job function. The shortest length SRL will reduce total fall distance by reducing "cable cinching" on the internal SRL pulley. Fabric lanyards stretch under load. The longer the lanyard, the longer the stretch.
34. Never use metallic cables or metallic SRL's around electrical power sources.
35. Only an ANSI (or CSA in Canada) full-body harness is acceptable for use on Rigid Lifelines Anchor Track Systems.
36. Never use body belts on this system.
37. Never add additional carabiners, D-Rings, shackles, or connecting hardware to this system.
38. On Traveling Bridge Anchor Track Systems, always position the bridge(s) directly overhead of worker(s) at all times.
39. If a boom is provided, never apply a lateral load at the boom tip.
40. Never deviate from the above unless you have written permission and authorization from Rigid Lifelines.



WARNING

Follow the Inspection Checklists in this manual: review the first checklist before each use and the second checklist for after a fall event and annual inspections.

NEVER EXCEED 30 DEGREES OFF-PLUMB (OFF-CENTER) LOADING.

Portable Base Swing Arm Only

Do not move the system while workers are still connected to it; doing so may result in serious injury or death.

Do not use the system on an incline; only use the system on surfaces that are firm and level. NEVER place the system near a ledge.

Before moving system, ensure that the system capacity doesn't exceed the forklift capacity.

Portable Base Swing Arm Only (Continued)

Before moving system, use the boom lock to secure the track arm weldment to keep it from rotating.

Forks must be 72 inches or longer to move the system.

NEVER exceed five miles per hour while moving.

When moving the system, the upper portable base must remain bolted to the mast and track arm weldment. If your system requires stacked portable bases, the lower bases may be unbolted and moved separately.

Only use portable base(s) on 3,000 PSI or greater concrete. Before using portable base(s) on macadam surfaces, contact a Technical Sales Support Specialist at 800-869-2080.



WARNING

This system must be used with an ANSI-rated self-retracting lanyard (SRL).

If the system is used outdoors, it is highly recommended that a steel cable SRL with heavy-duty housing be used for improved durability against UV radiation and moisture.

A web strap ANSI-rated SRL may be acceptable for use as long as a Competent Person has evaluated the situation and determined that there are no factors present that can have an immediate negative impact on the integrity of the SRL's webbing material AND that the Competent Person inspects the condition of the SRL's webbing and housing prior to each use.



WARNING

Completely retracting the SRL after each use (e.g., using a retrieval tagline) is essential: otherwise, the SRL's internal spring remains under tension, and it quickly loses its ability to arrest a freefall properly.

Retrieval taglines must never be used as an anchorage; doing so could result in serious injury or death.

TABLE OF CONTENTS

CONDITIONS OF USE AND WARNINGS STATEMENT	i-iii
SYSTEM APPLICATIONS	2
STANDARDS AND COMPLIANCE	2
REQUIRED TRAINING	2
ASSEMBLY INSTRUCTIONS	3
1. Equipment Needed for Assembly	3
2. Inventory	3
3. Attaching the Mast Assembly to the Concrete Foundation	4
4. Portable Base Only: Attaching the Mast Assembly to the Foundation	5-6
5. Attaching the Track Arm Weldment to the Mast	6
6. Attaching the Pivot Ring to the Mast and Track Arm Weldment	7
7. Final Assembly	7-8
Intermediate Bumper Installation (if Supplied).....	9
CORRECT SYSTEM USAGE AND OPERATION	10-11
MAINTENANCE	11
LABELING	12
FREESTANDING SWING ARM INSPECTION CHECKLISTS	13
Freestanding Swing Arm Anchor Track™ System	13
Annual Anchor Track™ System	14
PRODUCT WARRANTY COVERAGE	15
ABOUT RIGID LIFELINES®	BACK COVER

SYSTEM APPLICATIONS

The Freestanding Swing Arm Anchor Track™ System is used for fall protection applications. This fall protection system is labeled with maximum number of users and maximum arresting force; follow all limitations as noted on system label. Each user must attach to this system using a personal fall arrest system.

STANDARDS AND COMPLIANCE

Please refer to local, state, and federal (OSHA) requirements governing occupational safety for additional information regarding personal fall arrest systems. The Freestanding Swing Arm Anchor Track System meets or exceeds the requirements set forth in OSHA 1910, OSHA 1926, and ANSI Z359.

REQUIRED TRAINING

This system is intended to be used by people who are trained in its correct application and use. It is the responsibility of the users and the users' management to assure that they are familiar with these instructions and are trained in the correct use and care of this equipment. Authorized users must also be aware of the operating characteristics, application limits, and the consequences of improper use, which can result in serious injury or death.

Every application of fall protection must be part of a comprehensive managed fall protection program. Each program must include, but is not limited to:

- Hazard analysis
- Authorized person training
- Competent person implementation
- Rescue procedures
- Rescue training

The above list is not a comprehensive list. Specific applications may need to include additional items, such as administrative controls or engineered controls. A Qualified Fall Protection Engineer or OSHA Qualified Person should review the comprehensive managed fall protection program to ensure that it is adequate for your specific application. For more information on how to set up a proper Fall Protection Program within your facility, follow ANSI Z359.2 *Minimum Requirements for a Comprehensive Managed Fall Protection Program*, which is available at: www.assp.org.

ASSEMBLY INSTRUCTIONS

1. Equipment Needed for Assembly

- a) This manual
- b) Applicable safety equipment for workers' use during assembly, such as hard hats, safety shoes, etc.
- c) Telescoping fork truck or crane (minimum lifting height: 35 feet; recommended capacity: 8,000 pounds or larger depending on portable base size, if supplied)
- d) Man lift/cherry picker (minimum height: 30 feet)
- e) Torque wrench
- f) Assorted drift pins
- g) Lifting straps
- h) Plumb fixture
- i) Wrench/Socket sizes: 1/2 inch, 5/8 inch, 7/8 inch, and 1-1/4 inch
- j) A spacious, level area for assembly (e.g., parking lot)
- k) If a boom lock was purchased, the required rope length is equal to double the height of your mast minus 84 inches
- l) *8-0440-DWG SHEET 1 OF 3*, hereafter referred to as *Freestanding Swing Arm Assembly Drawing*, will be included as a separate document.
- m) *8-0440-DWG SHEET 2 OF 3*, hereafter referred to as *Portable Base Swing Arm Assembly Drawing*, will be included as a separate document.
- n) *8-0440-DWG SHEET 3 OF 3*, hereafter referred to as *Freestanding and Portable Base Swing Arm Label Placement Drawing*, will be included as a separate document.
- o) The Anchor Trolley™ User Instruction Manual (Manual 103-0054), which is packaged with the Anchor Trolley, will be included as a separate document.

2. Inventory

- a) Open all bundles and confirm that all components are accounted for: see *Building Materials Description* located in the top right corner of the *Freestanding Swing Arm Assembly Drawing*. Note that the quantity of components in an assembly are multiplied by the number of the assemblies.
- b) Check for damage to components that may have occurred during shipping.

3. Attaching the Mast Assembly to the Concrete Foundation

Refer to Freestanding Swing Arm Assembly Drawing for Steps A Through G

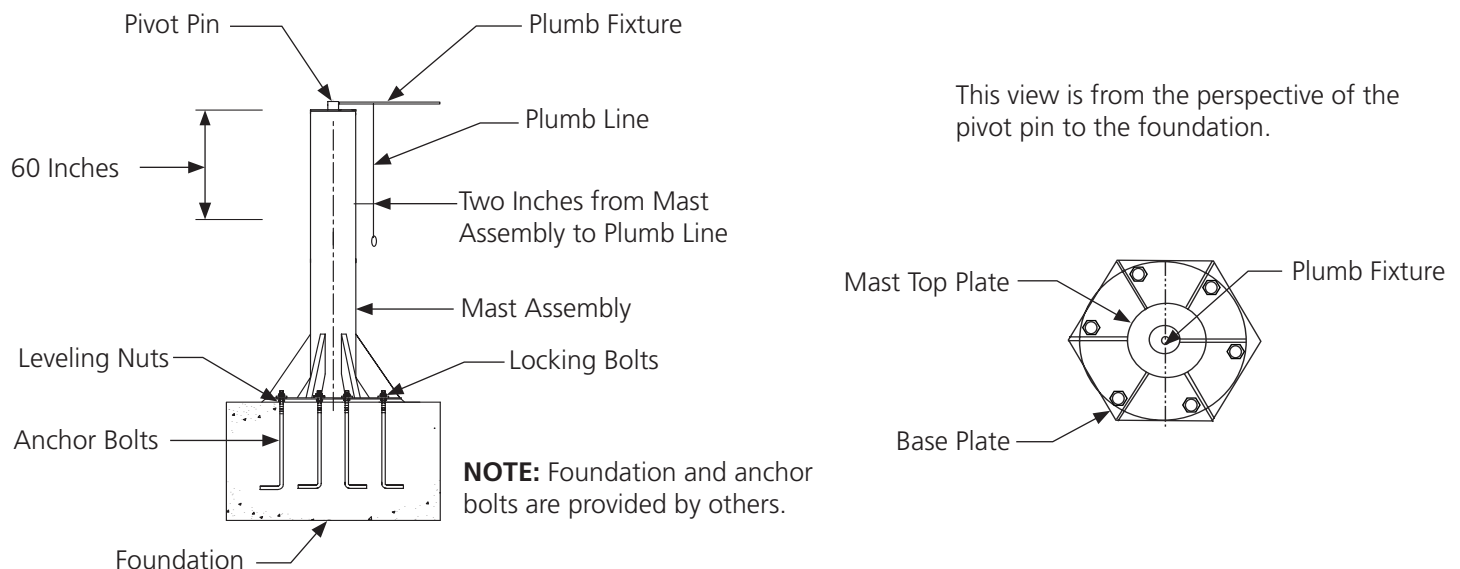
- a) Although there are several base plate leveling methods, this manual describes the method of using leveling nuts provided by others and grout as required on a concrete foundation. Regardless of which base plate leveling method you use, the finished installation requires full contact of the base plate on the foundation. All anchor bolts must have plate washers with standard clearance holes and adequate thickness for oversized base plate holes. Along with plate washers, a standard flat washer must be used on each anchor bolt.

NOTE: It is solely the customer's responsibility to provide the proper concrete foundation and anchor bolts for this system. Before installing the mast assembly, the concrete must cure for the minimum time recommended by the concrete supplier. Do not deviate from the recommended foundation, foundation size, provided hardware, or installation recommendations without consulting a qualified professional. If the recommended foundation is unknown, contact Rigid Lifelines®.

- b) Ensure the recommended concrete foundation (minimum 3,000 PSI and minimum 2,500 lbs/sq-ft soil pressure), reinforcement, and anchor bolts (minimum one-inch diameter anchor bolts) are in place, and that the concrete has had adequate time to cure.
- c) Per **Figure 1**, install one set of leveling nuts on the anchor bolts with the top surface approximately one inch above the foundation. Next, place the mast assembly over the anchor bolts resting on leveling nuts. Install the second set of nuts with plate washers and flat washers. Clamp the plumb fixture to the pivot pin.

NOTE: The plumb fixture must be perpendicular to the mast.

Figure 1



- d) Per **Figure 1**, select a position on the plumb fixture two inches from the edge of the mast to hang a plumb line. Measure 60 inches down from the top of the mast and use this point to check the two-inch dimension for the plumb line.
- e) Per **Figure 1**, position the plumb fixture directly over one anchor bolt and measure from the plumb line to the edge of the mast. If this measurement is not two inches, adjust the leveling nut directly below by turning it up if the distance is greater than two inches or down if the distance is less than two inches.
- f) Per **Figure 1**, rotate the plumb fixture 180 degrees and ensure the mast is plumb. Adjust the leveling nuts until you have the same distance on each side of the mast. Repeat this entire step at each anchor bolt or at 60-degree increments.
- g) Per **Figure 1**, when the mast is plumb, tighten the locking nuts.

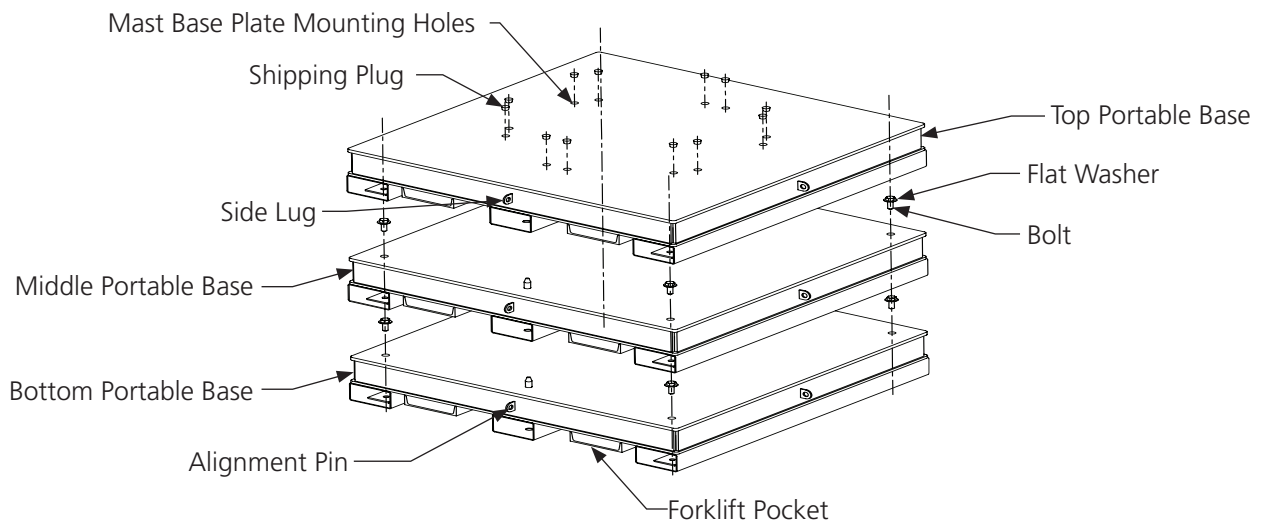
NOTE: Do not grout the base plate until the track arm weldment is completely installed.

4. Portable Base Only: Attaching the Mast Assembly to the Foundation

Refer to Portable Base Swing Arm Assembly Drawing for Steps A Through G

- a) The finished installation requires full contact of the base plate on the foundation. All anchor bolts must have plate washers with standard clearance holes of adequate thickness for oversized base plate holes. Along with plate washers, a standard flat washer must be used on each anchor bolt.
- NOTE:** Anchor bolts are provided to attach the mast to the portable base. Do not deviate from the recommended foundation, foundation size, provided anchor bolts and hardware, or installation recommendations without consulting a qualified professional. If the recommended foundation is unknown, contact Rigid Lifelines®.
- b) Depending on the size of the mast and track arm weldment, you may have to stack multiple portable bases to counterweight the weight of the mast and track arm weldment. If you were provided one portable base, then skip to step f). If you need to stack portable bases, then per **Figure 2**, remove the mast base plate mounting hole plugs from what will be the top portable base.
- c) Per **Figure 2**, place alignment pins on the bottom portable base with one pin middle, left aligned and the other pin middle, right aligned. Using drift pins and the alignment pins, align the four corner bolt holes on the middle portable base with the four corner bolt holes on the bottom portable base.
- d) Per **Figure 2**, bolt the middle portable base to the bottom portable base using 1-1/4-inch diameter flat washers and 1-1/4-inch diameter bolts by inserting the bolts through the aligned holes, one washer and bolt per hole. Torque the 1-1/4-inch diameter bolts to 803 foot-pounds.

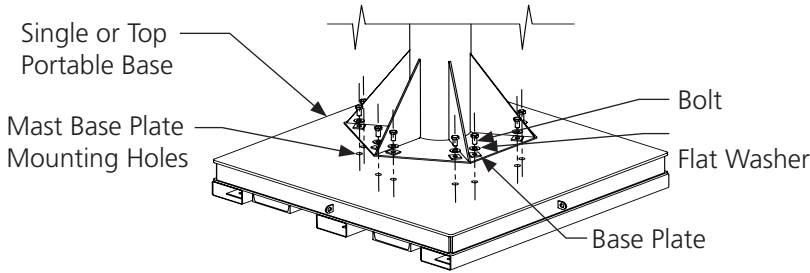
Figure 2



NOTE: The side lugs on the portable base(s) are for overhead crane use only.

- e) If more than two portable bases are required, repeat steps c) and d).
- NOTE:** The forklift pocket centers are up to 48 inches apart. Be sure that the forklifts are inserted 72 inches before moving the portable base. Fork lengths must be at least 72 inches. However, 96 inches or longer fork lengths are recommended.
- f) Ensure that the mast base plate mounting hole plugs have been removed. Per **Figure 3**, place the mast on the portable base and line up the holes on the base plate with the mast base plate mounting holes on the portable base.
- g) Per **Figure 3**, using 1-inch or 1-1/4-inch diameter flat washers and provided anchor bolts, bolt the mast to the portable base. Torque 1-inch diameter bolts to 514 foot-pounds or 1-1/4-inch diameter bolts to 803 foot-pounds.
- NOTE:** Do not over torque the anchor bolts or you will strip the nut inside the portable base.

Figure 3



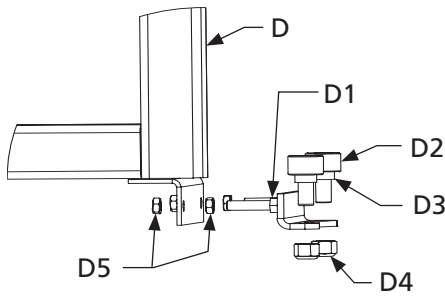
NOTE: Before continuing, using a four-foot level, verify that the top of the portable base is level both latitudinally and longitudinally on each side of the mast. Adjust the mast and portable base as needed until the top of the portable base is confirmed level.

5. Attaching the Track Arm Weldment to the Mast

Refer to Freestanding Swing Arm Assembly Drawing for Steps A Through C

- a) Per **Detail "E,"** bolt the rollers (D2) and trunnion roller spacers (D3) to the trunnion roller bracket (D1) using hex locknuts (D4), then bolt the trunnion roller bracket (D1) to the track arm weldment (D) using jam nuts (D5). The jam nuts (D5) should be tightened to the trunnion roller bracket (D1) first, then to the track arm weldment (D).

Detail "E" (Track Arm Weldment to Mast)



NOTE: The 5/8-inch jam nuts (D5) should be torqued to 60 foot-pounds.

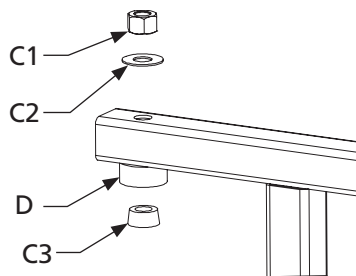
Item	Description
D	Track Arm Weldment
D1	Trunion Roller Bracket
D2	Rollers
D3	Trunion Roller Spacer
D4	7/8-Inch Hex Locknut
D5	5/8-Inch Jam Nut

Bolt Diameter	Minimum Hex Locknut Torque
7/8 Inch	224 foot-pounds

- b) Per **Detail "B,"** carefully bolt the track arm weldment (D) to the mast pivot pin using the bearing cone (C3), flat washer (C2), and hex locknut (C1).

NOTE: Torque the pivot pin nut (C1) to 10 foot-pounds max. Be careful not to "clamp down" on the track arm weldment.

Detail "B" (Track Arm Weldment to Pivot Pin)



Item	Description
C1	1-1/4-Inch Hex Locknut
C2	1-1/4-Inch Flat Washer
C3	1-1/4-Inch Bearing Cone
D	Track Arm Weldment

- c) Ensure that the track arm weldment (D) is level in all positions and that the rollers are properly adjusted to apply equal pressure to the mast (A).

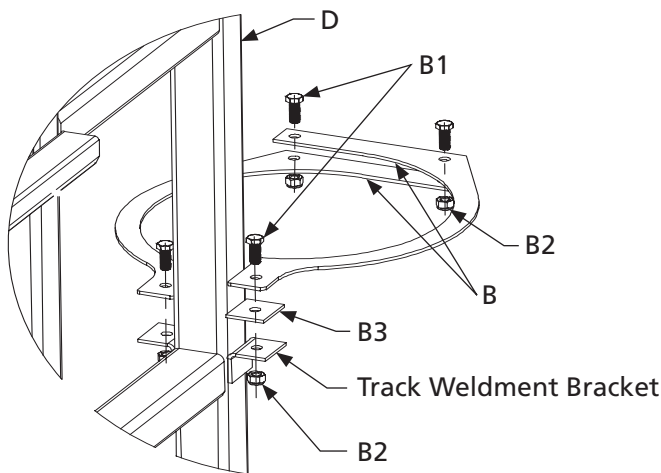
NOTE: If the track arm weldment (D) and mast (A) are not level, the trolley or track arm weldment will not stay in position while in use.

6. Attaching the Pivot Ring to the Mast and Track Arm Weldment

Refer to Freestanding Swing Arm Assembly Drawing for Steps A Through E

- Per **Detail "D,"** insert bolts (B1) through the lined-up holes of both halves of the pivot ring (B) and **securely tighten** nuts (B2) to the bolts (B1) for now.
- Per **Detail "D,"** wrap both parts of the pivot ring (B) around the mast and line up the holes on pivot ring (B) with the holes on the track arm weldment bracket.
- Per **Detail "D,"** place the safety plate shim (B3) between the pivot ring (B) and the track arm weldment bracket on the side of the bracket with the half of the pivot ring (B) that's on top. Line up all holes on the pivot ring (B), track arm weldment bracket, and the safety plate shim (B3).
- Per **Detail "D,"** insert two bolts (B1) through the lined-up holes on the pivot ring (B), track arm weldment bracket, and the safety plate shim (B3). **Securely tighten** nuts (B2) to the bolts (B1).

Detail "D" (Pivot Ring to Mast and Track Arm Weldment)



Item	Description
D	Track Arm Weldment
B	Pivot Ring
B1	5/8-Inch by 1-3/4-Inch Hex Head Bolt
B2	5/8-Inch Hex Locknut
B3	Safety Plate Shim

Bolt Diameter	Minimum Hex Locknut Torque
5/8 Inch	93 foot-pounds

- Torque all four nuts (B2) to 93 foot-pounds.

7. Final Assembly

Refer to Freestanding Swing Arm Assembly Drawing for Steps A Through H

- Ensure that the track arm weldment is secured properly to the mast and that the mast is securely fastened to the foundation.
- Confirm that all of the system's nuts are torqued to the required specifications below prior to removing support rigging (your telescoping fork truck or crane) from any component.

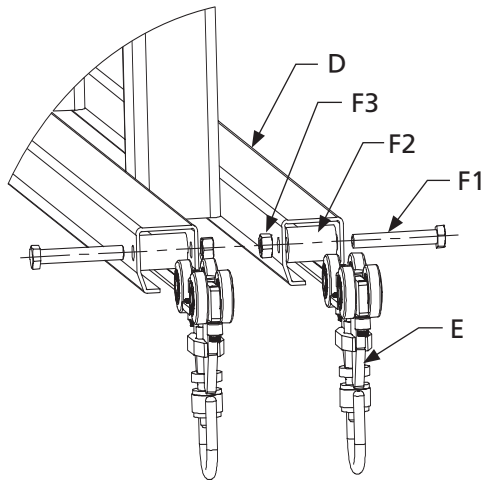
Bolt Diameter	Hex Nut Torque	Minimum Hex Locknut Torque
1/2 Inch	78 Foot-Pounds	51 Foot-Pounds
5/8 Inch	154 Foot-Pounds	93 Foot-Pounds
3/4 Inch	257 Foot-Pounds	151 Foot-Pounds
7/8 Inch	341 Foot-Pounds	224 Foot-Pounds
1 Inch	514 Foot-Pounds	325 Foot-Pounds
1-1/4 Inch	803 Foot-Pounds	480 Foot-Pounds

NOTE: Torque the pivot pin nut (C1) to 10 foot-pounds max. Be careful not to "clamp down" on the track arm weldment.

- c) Per **Detail "A,"** insert your Anchor Trolley™ (E) into the track. For a multiple track system, install one Anchor Trolley per track.
- d) Per **Detail "A,"** install the track's end stops by inserting the bolts (F1) through the holes at both ends of the track arm weldment (D) and through the rubber sleeves (F2).

NOTE: For single track systems, the end stop (F) closest to the mast is not required. For multiple track systems, install one end stop in each track on each side of the track.

Detail "A" (Trolley[s] and End Stops to Track Arm Weldment)

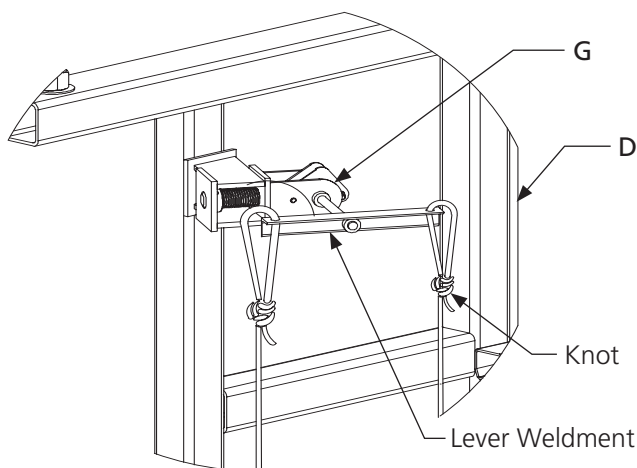


Item	Description
D	Track Arm Weldment
E	Swiveling Connector Anchor Trolley
F1	End Stop Bolt
F2	End Stop Rubber Sleeve
F3	1/2-Inch Hex Locknut

NOTE: The 1/2-inch hex locknuts (F3) should be torqued until securely tightened against the track. Be careful not to damage the track in any way.

- e) Attach and torque the end stop nuts (F3) until securely tightened against the track.
- f) **This system must be used with an ANSI-rated self-retracting lanyard (SRL).** Connect your SRL and retrieval tagline in accordance with the manufacturer's specifications and your training.
- g) If supplied, attach rope to the boom lock assembly (G in *Building Materials Description*). Rope length depends on the height of your mast (A in *Building Materials Description*). To determine the rope length, double the height of the mast and subtract 84 inches. This height will place the rope approximately 42 inches from the foundation.
- h) Per **Detail "C,"** thread the rope ends through the holes in the lever weldment and tie a knot at each rope end and lever weldment hole so that the knots are directly under the lever weldment.

Detail "C" (Boom Lock to Track Arm Weldment)



Item	Description
D	Track Arm Weldment
G	Boom Lock Assembly

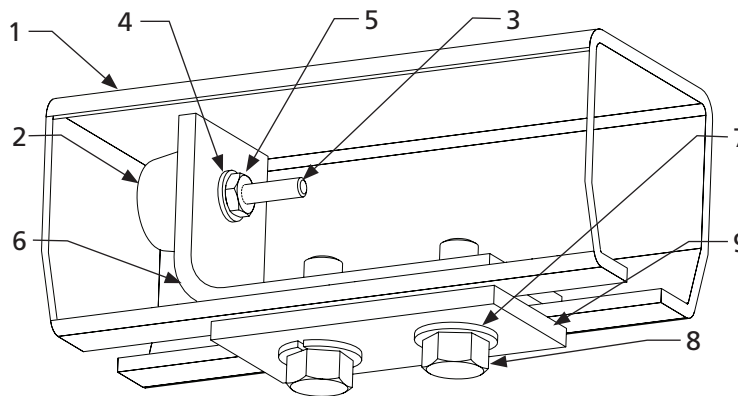
INTERMEDIATE BUMPER INSTALLATION (IF SUPPLIED)

NOTE: Follow the approval drawing, if provided, to prevent overloading of the track and system.

- Using a man or scissor lift, remove an end stop from the end of the track if end stop is present.
- Per **Figure 4**, slide the top plate (6) and attached components (2, 3, 4, and 5) into the track (1) and to the desired location in the track. Ensure that the rubber bumper (2) is facing the trolley.
- Per **Figure 4**, insert two bolts (8) through two split lock washers (7).
- Per **Figure 4**, align the holes in the bottom plate (9) with the holes in the top plate (6). Ensure that the bottom plate (9) is underneath the track (1).
- Per **Figure 4**, securely tighten the bolts (8) and attached split lock washers (7) through the aligned holes in the bottom plate (9) and top plate (6) so that the bolt heads are underneath the bottom plate (9). Ensure that the split lock washers (7) are between the bolt head and the bottom of the bottom plate (9).
- Using a torque wrench, torque 3/8-inch diameter bolts to 33 foot-pounds. Torque 1/2-inch diameter bolts to 78 foot-pounds. See the tables below.
- Reinsert the end stop that was removed in step 1.

Figure 4

NOTE: Intermediate bumpers should not be used as end stops.



500 Series Track (P/N: 1500IB)

Item	Description
1	Track
2	Rubber Bumper
3	10-32 NC by 1-1/4-Inch Machine Screw
4	#10 Lock Washer
5	10-32 NC Nut
6	Top Plate
7	3/8-Inch Split Lock Washer
8	3/8-Inch by 1-Inch Hex Head Bolt
9	Bottom Plate

NOTE: For part number 1500IB, item 8 requires a 9/16-inch wrench or socket.

600, 700, and 900 Series Track (P/N: 1700IB)

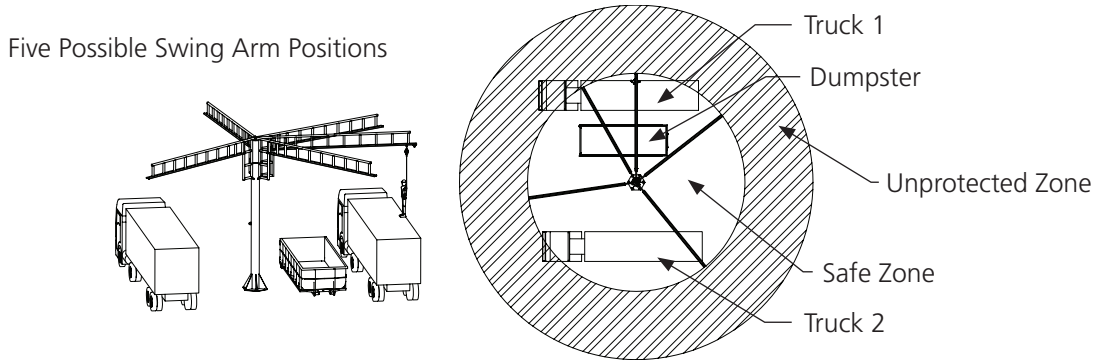
Item	Description
1	Track
2	Rubber Bumper
3	10-32 NC by 1-1/4-Inch Machine Screw
4	#10 Lock Washer
5	10-32 NC Nut
6	Top Plate
7	1/2-Inch Split Lock Washer
8	1/2-Inch by 1-1/2-Inch Hex Head Bolt
9	Bottom Plate

NOTE: For part number 1700IB, item 8 requires a 3/4-inch wrench or socket.

CORRECT SYSTEM USAGE AND OPERATION

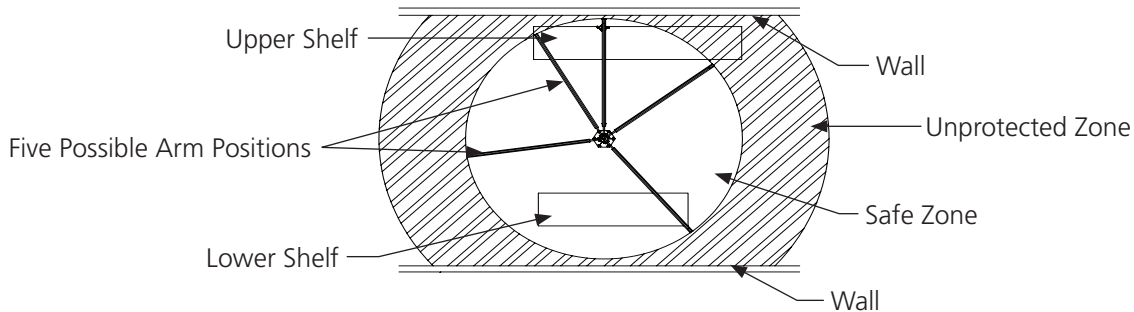
- As shown in **Figure 5**, after installation, drop a plumb line from the end of the track arm weldment and rotate the swing arm 360 degrees to mark the safe and unsafe zones and obstructions.
- In **Figure 5**, one Freestanding Swing Arm Anchor Track™ System provides complete fall protection for almost the entire length of both trailers without needing to move the trucks or the dumpster. However, if the dumpster were moved out of the way, *Truck 1* could have parked closer to the mast, which would have created complete fall protection for both trailers. Note that even if the dumpster were moved, either truck could pull too far forward and remove the trailer from the safe zone.

Figure 5



- Figure 6** depicts incorrect use of the system. The lower shelf has full fall protection coverage, but the right side of the upper shelf is unprotected. A fall from the upper shelf could result in serious injury or death. With the restrictions due to the walls, this system would not be recommended for this specific application. However, if the right side of the upper shelf does not require fall protection, then this system could work.

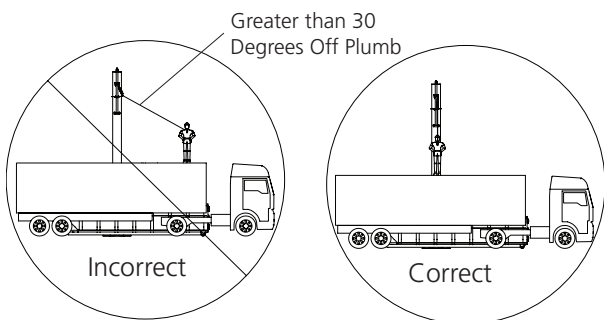
Figure 6



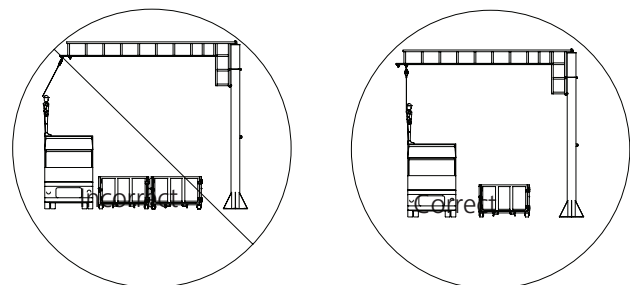
- Per **Figure 7**, never use this system more than 30 degrees off plumb or past the end stops. Using this system more than 30 degrees off plumb or past the end stops could cause serious injury or death. Always position the swing arm directly overhead and keep the worker directly below the swing arm.

Figure 7

Never Use This System More Than 30 Degrees Off Plumb

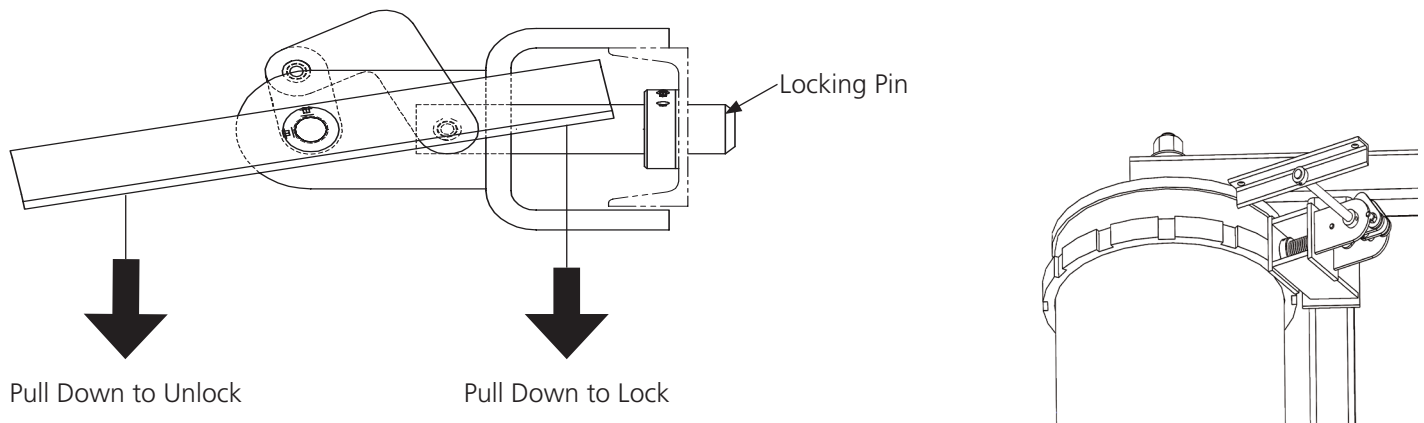


Never Use This System Past the End Stops



- Per **Figure 8**, pull the rope down on the side of the rope closest to the locking pin to engage the boom lock assembly, if provided. Pull on the other side of the rope to disengage the boom lock assembly.

Figure 8



NOTE: Some adjustment side-to-side may be necessary to engage the locking pin into the slots on the mast.

MAINTENANCE

- Visually inspect the system before each use and fully inspect the system after a fall event and annually. Refer to the INSPECTION CHECKLISTS in the next section of this manual for checklists for *Freestanding Swing Arm Anchor Track™ System* and *Annual Anchor Track™ System*.
- If the system fails ANY inspection point on any of the inspection checklists, immediately remove the system from service and call Rigid Lifelines® at 800-869-2080 for instructions.**
- During the first month after a new installation, a weekly inspection of the system should be performed using the *Annual Anchor Track™ System Inspection Checklist*. It is important to note that every system application and use will be different, meaning some conditions of use will require more frequent inspection. Examples of such conditions include two or three shift operations or working with or near corrosive chemicals or elements.
- Refer to the Anchor Trolley™ User Instruction Manual (Manual 103-0054), which comes packaged with the Anchor Trolley, for its trolley inspection checklists.
- Download and print additional blank inspection checklists from the literature page at RigidLifelines.com.

DISASSEMBLY

Warning: Disassembly must be performed by a skilled rigger. All parts must be secured to prevent falling during all stages of disassembly.

- Before disassembling the Rigid Lifelines Fixed-Height Rolling A-Frame, ensure that each component is safely rigged and secure.
- Read and understand each step before beginning the disassembly process.
- To disassemble the system, follow the assembly instructions in reverse order.

Warning: Do not stand under the system during disassembly.

LABELING

The letters below correspond to the letters on the Freestanding Swing Arm Label Placement Drawing. All labeling must be legible and attached to the system. For replacement labels, contact Rigid Lifelines®.

RIGID LIFELINES LABEL PLACEMENT DISCLAIMER

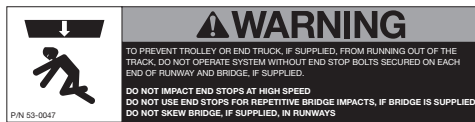
If system is shipped unpainted or without properly secured labels, proper label placement is the sole responsibility of the end user. Follow the Label Placement Drawing shipped with this user manual to place labels correctly. Rigid Lifelines cannot be held liable for any damage or injury resulting from omitted or improper label placement.

"A"

RIGID LIFELINES | PEOPLE & EQUIPMENT | **PER TRACK. 900 LB. MAAF EA. PERSON** | (800) 869-2080
RigidLifelines.com

P/N 53-0359

"B"



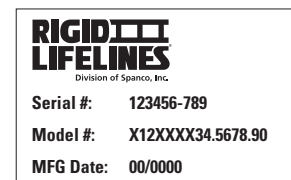
P/N 53-0047

"C"



P/N 53-0023

"D"



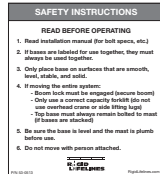
Portable Base Swing Arm Labels (E-H)

"E"



P/N 53-0023

"F"



P/N 53-0513

"G"



P/N 53-0514

"H"



P/N 53-0524

Notes on Label Placement Drawing

- If you purchased a Freestanding Swing Arm system, only labels **"A," "B," "C,"** and **"D"** are required. If you purchased a Portable Base Swing Arm, labels **"A," "B," "D," "E," "F," "G,"** and **"H"** are required.
- Label **"A"** should be centered on the lower section of the track arm weldment on both sides and is **P/N 53-0535** for one person systems, **53-0536** for two person systems, and **53-0359** for **three** to **eight** person systems, along with **53-0413** through **53-0418** respectively. Labels **P/N 53-0413** through **53-0418** are the capacity numbers three through eight for the Anchor Track label and should be placed to the right of the line following "Rigid Lifelines."
- Label **53-0047 "B"** should be placed on both ends of the lower section of the track arm weldment on both sides.
- Label **53-0023 "C"** should be placed to the right of label **"A"** on both sides of the track arm weldment.
- Label **"D"** should be placed on the lower section of the track arm weldment on both sides and on the mast assembly. For Portable Base systems, label **"D"** should also be placed on two sides of the portable base.
- Label **53-0023 "E"** should be placed in each corner on top of the portable base.
- Label **53-0513 "F"** should be placed in each corner on top of the portable base next to label **"E."**
- Label **"G"** should be placed to the right of the side lug on each side of the portable base and is **P/N 53-0514** for "1 of 1," **53-0507** for "1 of 2," **53-0508** for "2 of 2," **53-0504** for "1 of 3," **53-0505** for "2 of 3," and **53-0506** for "3 of 3."
- Label **"H"** is only for stackable bases and should be placed to the left of the side lug on each side of the portable base. Label **"H"** is **P/N 53-0524** for a 10,000-pound base and **53-0523** for a 8,000-pound base.

FREESTANDING SWING ARM ANCHOR TRACK™ SYSTEM INSPECTION CHECKLIST

Before Each Use

Inspector Name: _____

Date: _____

System Number: _____

Model: _____



Division of Spanco, Inc.

INSPECTION POINTS	Inspection Result (✓)	
	PASS	FAIL
For Freestanding Swing Arm and Portable Base Swing Arm		
1. Ensure that the grease fitting on top of the mast is properly lubricated.		
2. Test the swiveling connector(s) on each trolley to verify that each trolley rotates and swivels freely.		
3. Verify that the trolley(s) can easily and smoothly roll the full length of the runway track(s).		
4. Check all system welds for cracks.		
5. Check system components for corrosion.		
6. Check system components for bent or damaged areas.		
7. Check support structure for stability.		
8. Visually check all bolted assemblies for proper connections and properly secured bolts and nuts.		
9. Ensure rollers are not bent or damaged.		
10. Normal wear on the mast due to the rollers should be expected. Excessive wear more than 1/16 inch into the mast is not acceptable.		
For Portable Base Swing Arm		
1. Ensure that the system is being used on a level surface.		

©2021. All Rights Reserved. All specifications and product designs subject to change without prior notice.

AFTER A FALL EVENT AND ANNUAL ANCHOR TRACK™ SYSTEM INSPECTION CHECKLIST

Inspector Name: _____

Date: _____

System Number: _____

Model: _____



INSPECTION POINTS	Inspection Result (✓)	
	PASS	FAIL
1. Check that the beam clamps are installed horizontally within + / - five degrees.		
2. Check that end stop bolts are present and have locknuts installed.		
3. Using a torque wrench, check that all bolts are present and torqued to values shown on Assembly Drawing.		
4. Check that splices, if supplied, are centered on track joints.		
5. Verify that capacity labels are present, attached, and legible. See Label Placement Drawing.		
6. Verify that the number of trolleys matches the value on the capacity label.		
7. Verify that the fall arrest system is not being used for material handling.		
8. Check the track for levelness within + / - 1/4 inches per 20 feet of track.		
9. Check the track flanges. Track flanges cannot be bent downward more than five degrees.		
10. Check the track thickness. Track thickness cannot be worn more than 10 percent.		
11. Check all system welds for cracks.		
12. Check system components for corrosion and bent or damaged areas.		
13. Check that all wheel studs, if supplied, are torqued to value shown on Assembly Drawing. Note that these 1/2-inch wheel studs have a different torque value than the system's other 1/2-inch bolts.		
14. Verify trolley can traverse entire length of track without snags.		
15. Inspect the trolley following the <i>After a Fall Event and Annual Inspection Checklist</i> in the Rigid Lifelines Anchor Trolley™ User Instruction Manual (103-0054).		
16. Test the operation of the trolley's swiveling connector and verify that it can rotate freely.		
17. Test the operation of the trolley and verify that the wheels rotate freely.		
18. Check system components for loose components.		
19. Check system components for loose or missing fasteners.		
20. Check system support structure for stability.		
21. Verify that hanger assemblies are installed properly and fasteners are torqued to proper values.		
22. Check that the support arms pivot bolts, if supplied, are properly installed and tightened.		
23. Check system for unauthorized modifications. Only Rigid Lifelines can authorize modifications. Remove system from service if it is modified in any way.		

©2021. All Rights Reserved. All specifications and product designs subject to change without prior notice.

PRODUCT WARRANTY COVERAGE

Rigid Lifelines warrants its products to be free from defects in material and workmanship as follows:

- Engineered Track Equipment, Wearable End Truck Wheels, and Anchor Trolley™ Wheels and Teeth: Ten Years
- Motorized Products and Drive Components and Paint and Finishes for Non-Aluminum Components: Two Years
- Soft Goods, Devices, Connectors, and Accessories: One Year

Ten-Year Warranty Coverage:

- Defects in equipment material and workmanship of manual track systems and equipment
- Only applies to the wearable wheels on end trucks and wearable Anchor Trolley wheels and teeth

Rigid Lifelines warrants its manual Anchor Track™ systems and equipment to be free from defects in material and workmanship for a period of ten (10) years or 20,000 hours, commencing on the date of shipment to the first retail purchaser. This warranty extends only to parts that are not subject to normal wear and tear from use (nonwearable), with the exception that it does apply to the wearable wheels supplied on end trucks and wearable Anchor Trolley wheels and teeth.

Two-Year Warranty Coverage:

- Defects in equipment material and workmanship of motorized systems and equipment
- Paint coatings and finishes for non-aluminum components

Rigid Lifelines warrants motorized equipment to be free from defects in material and workmanship for a period of two (2) years or 4,000 hours, commencing on the date of shipment to the first retail purchaser. Rigid Lifelines warrants its paint and finishes for a period of two (2) years. Warranty claims related to coatings must be accompanied by documentation of the product's application and environmental conditions from time of delivery to time of claim.

One-Year Warranty Coverage:

- Defects in soft goods, devices, connectors, and accessories

Rigid Lifelines warrants fall protection soft goods, devices, connectors, and accessories to be free from defects in material and workmanship for a period of one (1) year, commencing on the date of shipment to the first retail purchaser.

WARRANTY TERMS & CONDITIONS

All warranty claims must be approved by Rigid Lifelines before any work is performed. Rigid Lifelines's obligation under this warranty is limited to the replacement or repair of Rigid Lifelines products at the factory or separate location approved by Rigid Lifelines. **Other than the above mentioned warranty, Rigid Lifelines will not honor any other warranties—whether expressed, implied, or statutory—and disclaims any warranties of merchantability or fitness for a particular purpose.** Rigid Lifelines has the right to reject any warranty claim due to harsh and/or inappropriate environmental conditions.

Rigid Lifelines Is Not Liable for:

- Indirect, incidental, or consequential damages including lost profits, operating costs, loss of production, or travel expenses
- Components or accessories not manufactured by Rigid Lifelines (with the exception of soft goods components and accessories sold and warranted by Rigid Lifelines. For such components and accessories, the warranty shall be determined by the terms and conditions of any warranty provided by the manufacturer of such components and accessories.)
- Defective equipment or system failure caused by misuse, negligence, and improper installation or maintenance
- Equipment that has been used in excess of its rated capacity or beyond its service factors
- Rework and modification of any equipment that has been altered without Rigid Lifelines's written authorization
- Freight charges and damage incurred by freight carriers
- Any loss, injury, or damage to persons or property resulting from failure or defective operation of material or equipment
- This warranty is void for any product that is designed to deform or absorb energy during a fall event and needs to be replaced after a fall event has occurred

Reimbursement Disclaimer:

- Written notice of any claimed system defect must be given to Rigid Lifelines within ninety (90) days of shipment.
- All requests for reimbursement must be accompanied by proper documentation.
- Reimbursement is provided in the form of a credit unless otherwise approved by Rigid Lifelines management.
- Reimbursement for labor will be provided at a maximum rate of \$75 per hour.
- All reimbursement is subject to approval by Rigid Lifelines management.

ABOUT RIGID LIFELINES®

OUR MISSION:

Rigid Lifelines is driven by passion for providing our customers with quality, user-friendly solutions to keep workers safer and more productive at elevation.

OUR COMMITMENT

Rigid Lifelines professionals are dedicated to designing and manufacturing a variety of fall protection systems that meet or exceed OSHA requirements and ANSI Z359 code. Our team of engineers and safety professionals have extensive experience in the fall protection industry to manufacture fall protection systems that utilize the most advanced technology and designs.

Rigid Lifelines production facilities are certified under the ISO 9001:2015 Quality Management System to provide superior quality products. And every welder at Rigid Lifelines is certified to handle steel (D1.1) and aluminum (D1.2) in accordance with the rigorous requirements and lab testing established by the American Welders Society (AWS).

Rigid Lifelines engineers are involved with ANSI Z359 Technical Review Committee and the ANSI Z359.19 Rigid Horizontal Rail Standard. We also participate with the Safety & Health Technology Committee of the Association of Iron & Steel Technology. Our involvement allows us to keep a constant pulse on the trends in both industry practice and government regulation.

OUR PRODUCTION:

All of our systems are designed and manufactured in the United States of America. We have production facilities in Las Vegas, Nevada, and at our headquarters in Morgantown, Pennsylvania.



Division of Spanco, Inc.

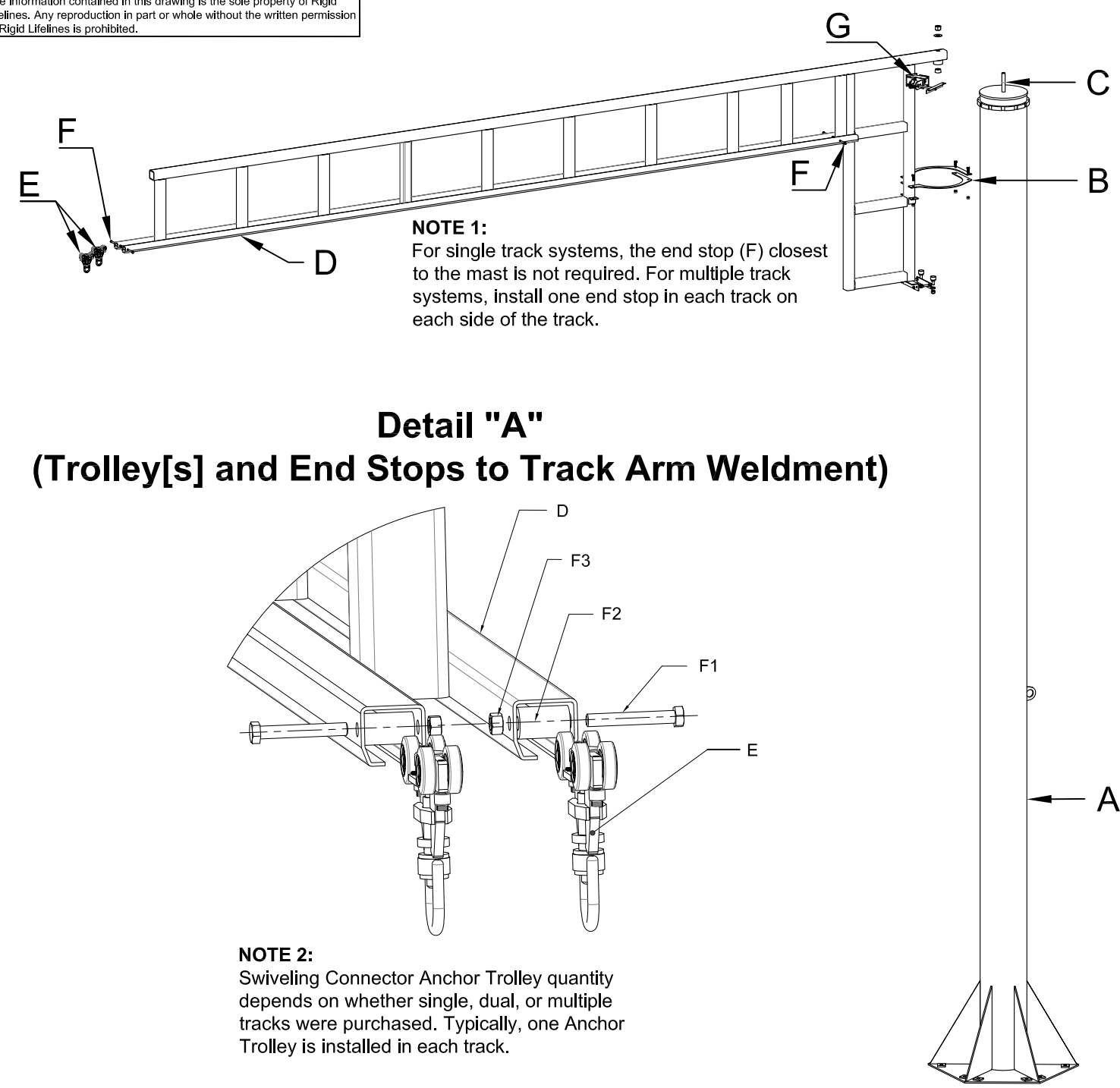
Morgantown, PA | Las Vegas, NV

Toll Free: (800) 869-2080 | Local: (610) 286-7200 | Outside US: 1-610-286-7200 | Fax: (610) 286-0085

RigidLifelines.com | info@RigidLifelines.com

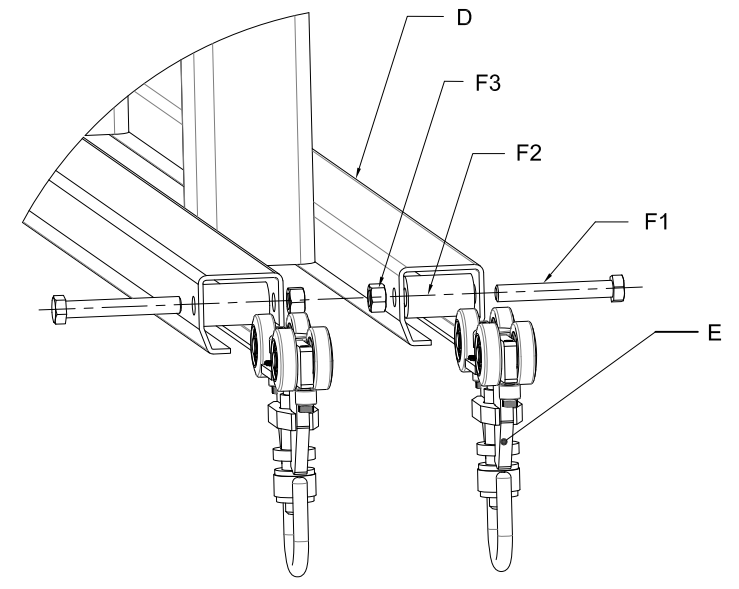


The information contained in this drawing is the sole property of Rigid Lifelines. Any reproduction in part or whole without the written permission of Rigid Lifelines is prohibited.



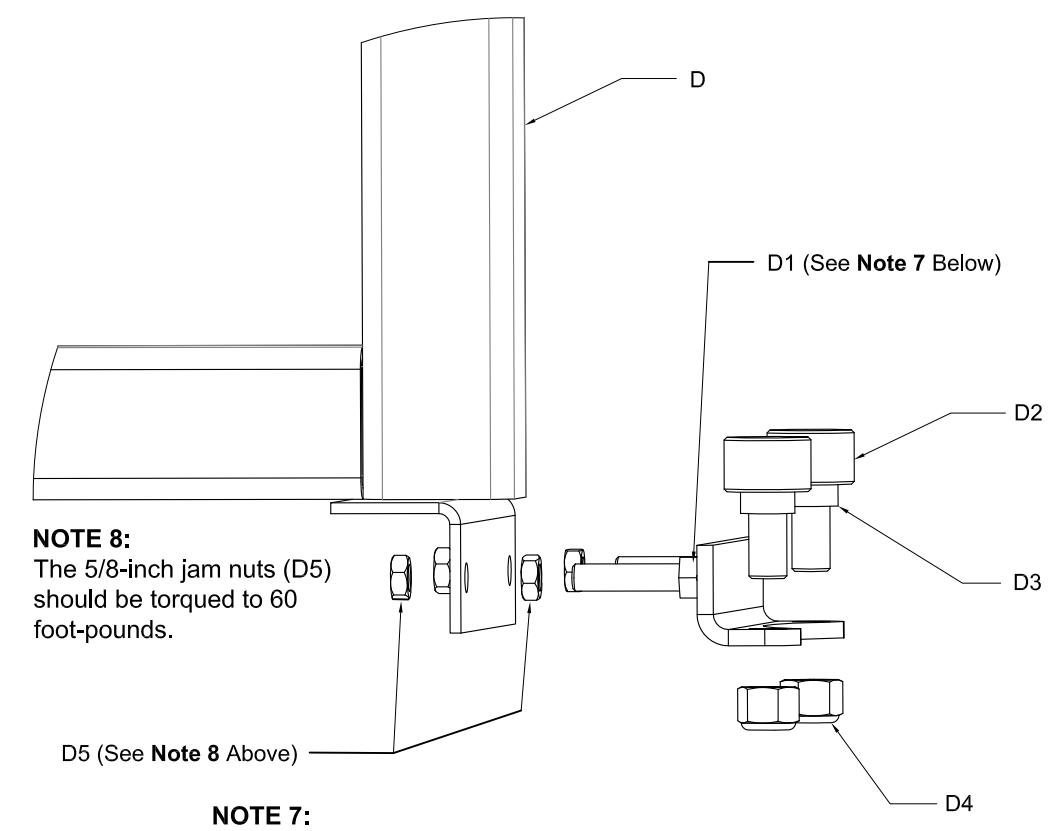
NOTE 1:
For single track systems, the end stop (F) closest to the mast is not required. For multiple track systems, install one end stop in each track on each side of the track.

Detail "A"
(Trolley[s] and End Stops to Track Arm Weldment)



NOTE 2:
Swiveling Connector Anchor Trolley quantity depends on whether single, dual, or multiple tracks were purchased. Typically, one Anchor Trolley is installed in each track.

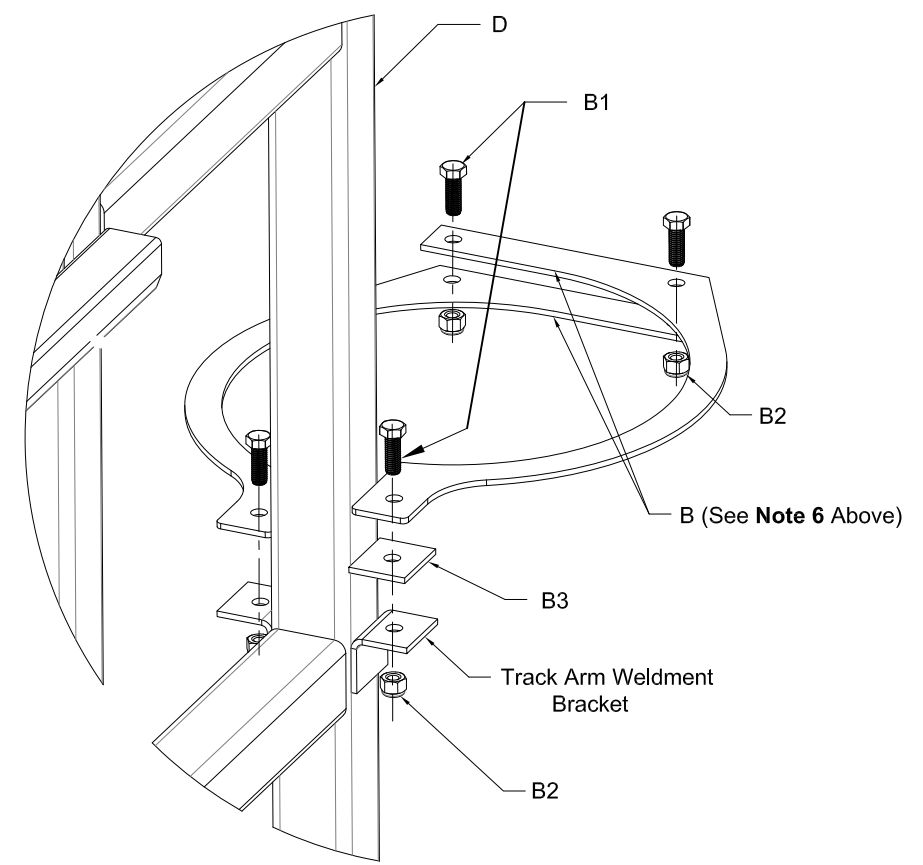
Detail "E"
(Track Arm Weldment to Mast)



NOTE 8:
The 5/8-inch jam nuts (D5) should be torqued to 60 foot-pounds.

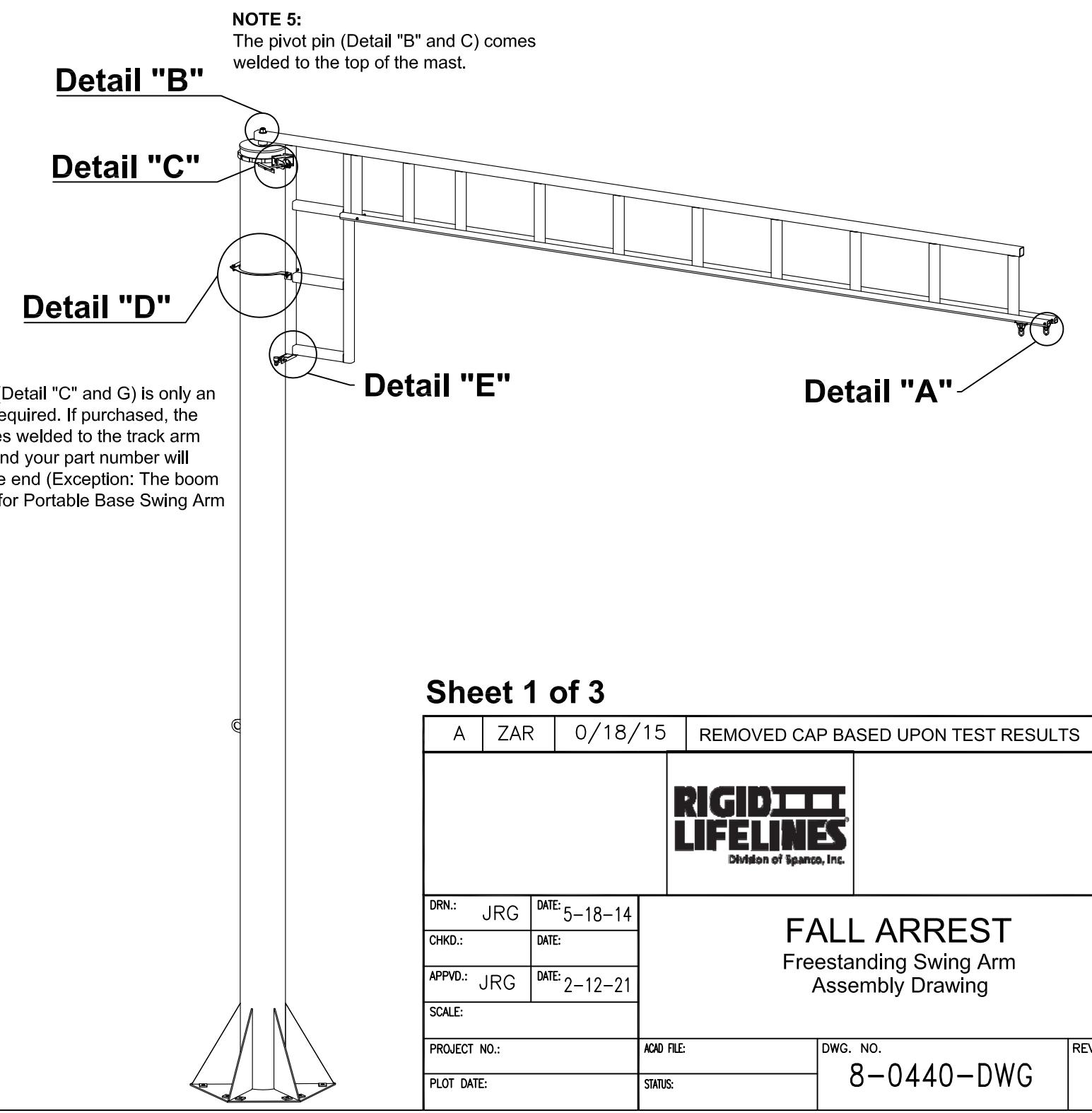
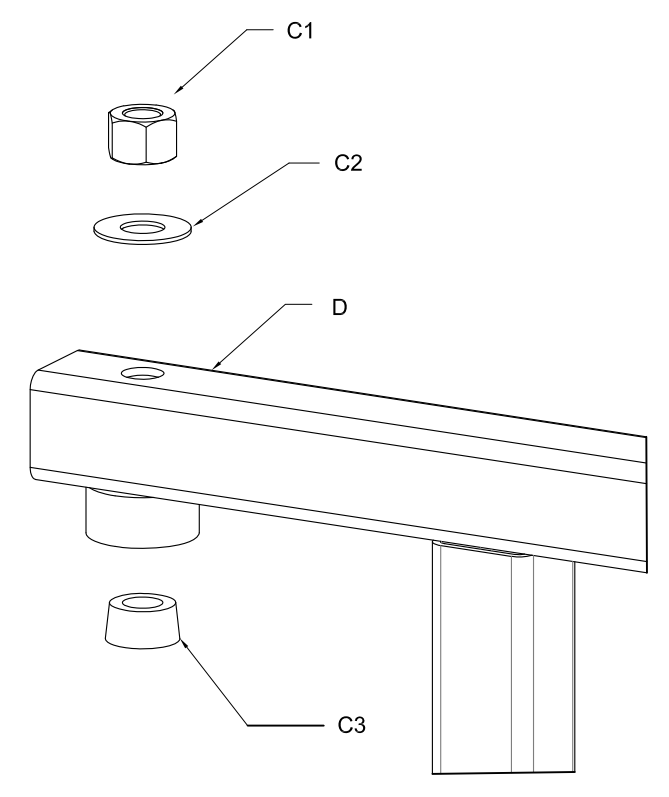
NOTE 7:
The mast's (A) size determines the part number for the trunnion roller bracket (D1). D1 is part number **8-0429** for a 8-inch diameter mast, **8-0415** for a 12-inch diameter mast, **8-0414** for a 14-inch diameter mast, **8-0413** for a 16-inch diameter mast, and **8-0393** for a 18-inch diameter mast.

Detail "D"
(Pivot Ring to Mast and Track Arm Weldment)



NOTE 6:
The mast's (A) size determines the part number for the pivot ring (B). B is part number **8-0434** for a 8-inch diameter mast, **8-0435** for a 12-inch diameter mast with a 2-1/2-inch wide track arm weldment, **8-0444** for a 12-inch diameter mast with a 3-inch wide track arm weldment, **8-0445** for a 14-inch diameter mast with a 2-1/2-inch wide track arm weldment, **8-0446** for a 14-inch diameter mast with a 3-inch wide track arm weldment, **8-0436** for a 14-inch diameter mast with a 3-1/2-inch wide track arm weldment, **8-0447** for a 16-inch diameter mast with a 3-inch wide track arm weldment, **8-0437** for a 16-inch diameter mast with a 3-1/2-inch wide track arm weldment, and **8-0390** for a 18-inch diameter mast.

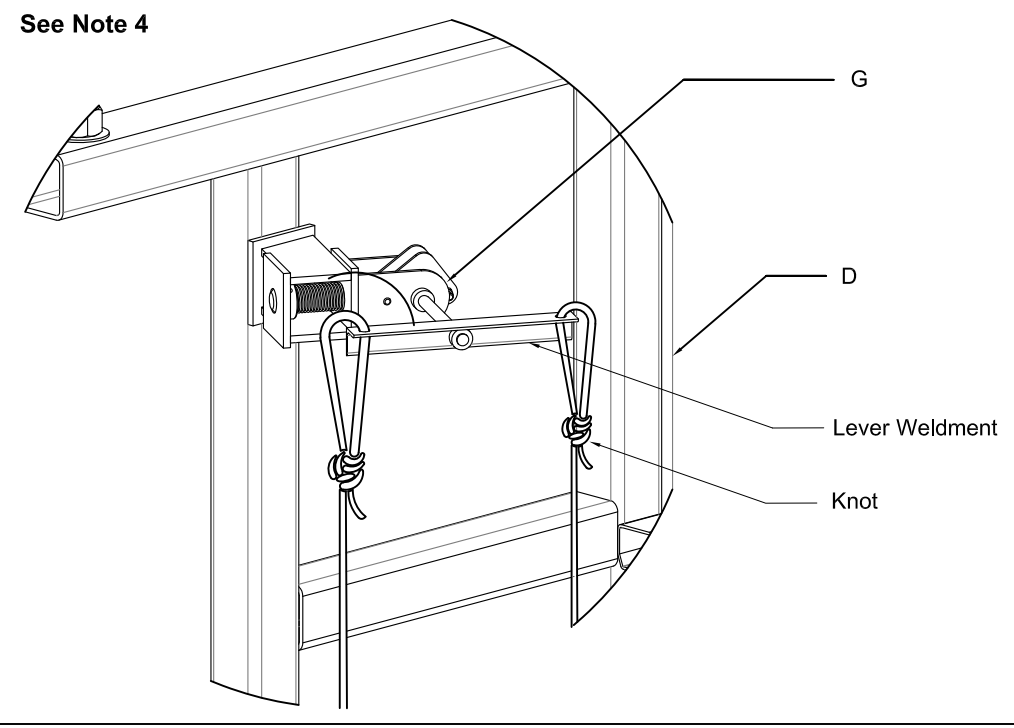
Detail "B"
(Track Arm Weldment to Pivot Pin)



NOTE 5:
The pivot pin (Detail "B" and C) comes welded to the top of the mast.

NOTE 4:
The boom lock (Detail "C" and G) is only an option and not required. If purchased, the boom lock comes welded to the track arm weldment (D), and your part number will have "-BL" at the end (Exception: The boom lock is required for Portable Base Swing Arm systems).

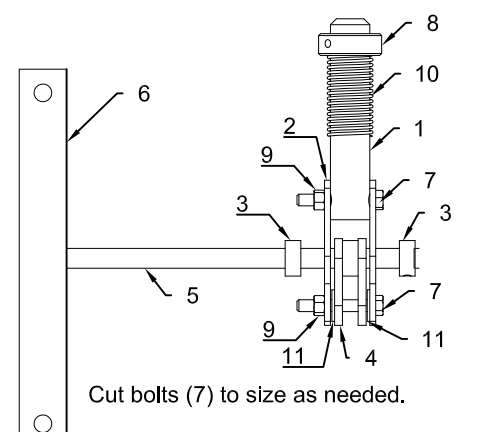
Detail "C"
(Boom Lock to Track Arm Weldment)



See Note 4

Optional—See Note 4
Boom Lock Assembly BOM

Item	Quantity	Part Number	Building Materials Description
1	1	06-0434	Locking Pin
2	2	06-0438	Large Hinge
3	2	68-0001	Collar, Shaft 5/8" X 1 1/8" X 1/2"
4	1	06-0435	Assembly, Hinge Small, I42
5	1	06-0441-12	Rod
6	1	06-0439	Lever Weldment
7	2	10-0107	Bolt, 3/8"-16 NC X 2 1/2" GR2 ZP
8	1	68-0003	Collar, Shaft 1 1/4"
9	2	13-0002	Hex Lock Nut- 3/8" 13 NC
10	1	05-0165	10 Ton Height Adj, Spring
11	2	15-0002	Flat Washer, 3/8"



NOTE 3:
The boom lock assembly ships preassembled to the track arm weldment (D). However, for replacement parts for the boom lock assembly, refer to the Boom Lock Assembly BOM.

Item	Quantity	Part Number	Building Materials Description
-A-	1	8-04XX-XX-XX,XX	Mast
-B-	2	8-0XXX	Pivot Ring
B1	4	10-1012	Bolt, 5/8"-11 NC X 1 3/4" GR5 Full Thread
B2	4	13-0001	Nut, Hex Lock 5/8"-11 NC
B3	1	8-0391	FA, FR, Shim, Safety Plate
-C-	1	8-0396	Pivot Pin
C1	1	13-0050	Nut, Hex Lock 1 1/4"-7
C2	1	15-0017	Flat Washer 1 1/4"
C3	1	50-0013	Cone, Bearing 1.25" Shaft (Timken HM88542)
-D-	1	8-0385-XX-XX-XX,XX	Track Arm Weldment
D1	2	8-0XXX	FA, FR, Weldment, Trunnion Roller Bracket
D2	2	42-0009	Flat Cam Follower, 2" OD, 7/8" Stud
D3	2	8-0401	FA, FR, Spacer, Trunnion Roller
D4	2	13-0021	Nut, Hex Lock 7/8"-14 GR5
D5	4	12-0052	Nut, Hex Jam 5/8"-11 NC
-E-	X	FAXXX-AT	FA, Swiveling Connector Anchor Trolley
-F-	X	FA-X00ES	End Stop Kit
F1	X	10-02XX	End Stop Bolt
F2	X	RR1.25-X	End Stop Rubber Sleeve
F3	X	13-0003	Nut, Hex Lock 1/2"-13
-G-	1	8-0512	FA, FR, Boom Lock Assembly

Component Assembly Schedule

1. Bolt Mast to Foundation
2. Bolt Track Arm Weldment to Mast (**Detail "E"**)
3. Bolt Track Arm Weldment to Pivot Pin (**Detail "B"**)
4. Bolt Pivot Ring to Mast and Track Arm Weldment (**Detail "D"**)
5. Install Trolley(s) and End Stops to Track Arm Weldment (**Detail "A"**)

Torque Specifications

Bolt Diameter	Hex Nut Torque	Minimum Hex Locknut Torque
1/2 Inch	78 Foot-Pounds	51 Foot-Pounds
5/8 Inch	154 Foot-Pounds	93 Foot-Pounds
3/4 Inch	257 Foot-Pounds	151 Foot-Pounds
7/8 Inch	341 Foot-Pounds	224 Foot-Pounds
1 Inch	514 Foot-Pounds	325 Foot-Pounds
1-1/4 Inch	803 Foot-Pounds	480 Foot-Pounds

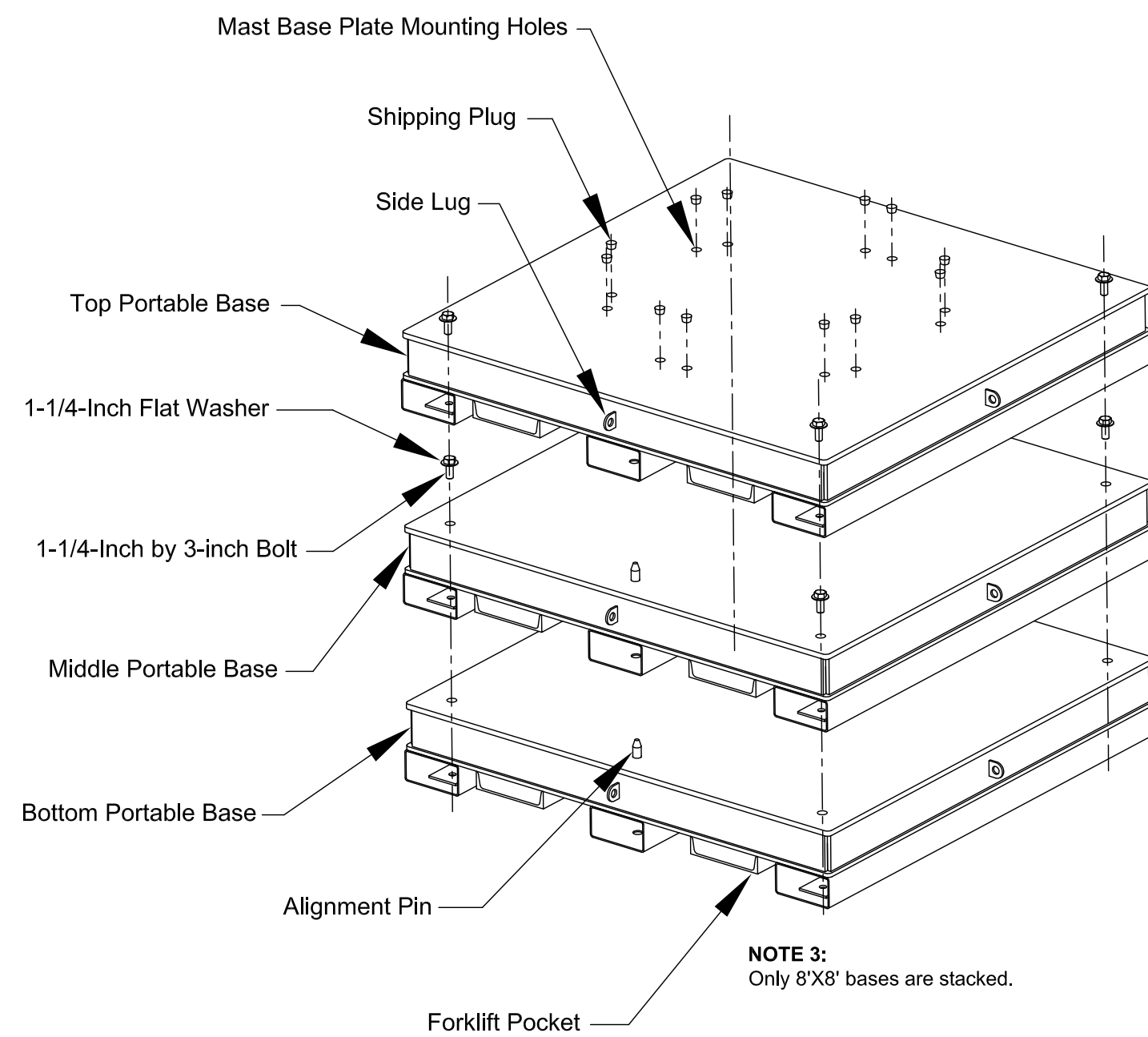
NOTE 9:
Torque the pivot pin nut (C1) to 10 foot-pounds max. Be careful not to "clamp down" on the track arm weldment.

Sheet 1 of 3

A	ZAR	0/18/15	REMOVED CAP BASED UPON TEST RESULTS
		FALL ARREST Freestanding Swing Arm Assembly Drawing	
PROJECT NO.:		ACD FILE:	DWG. NO. 8-0440-DWG
PLOT DATE:		STATUS:	REV. A

Portable Base Swing Arm Assembly Drawing

Stacking Bases



NOTE 1:
The side lugs on the portable base(s) are for overhead crane use only.

NOTE 2:
The forklift pocket centers are up to 48 inches apart. Be sure that the forklifts are inserted 72 inches before moving the portable base. Fork lengths must be at least 72 inches. However, 96 inches or longer fork lengths are recommended.

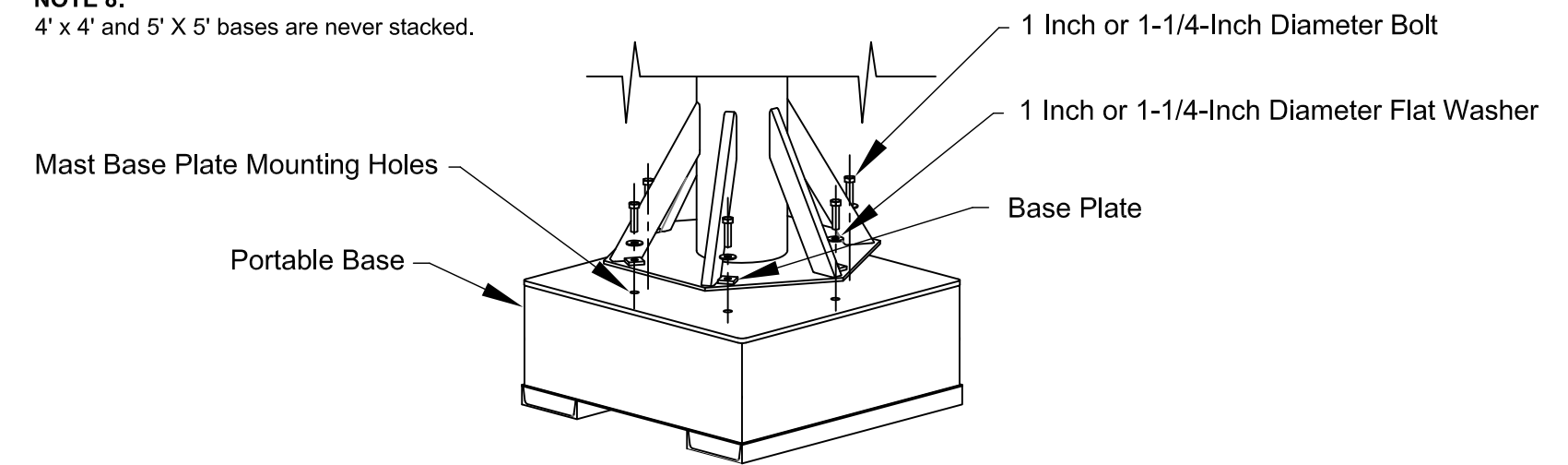
WARNING

- Do not use the system on an incline; only use the system on surfaces that are firm and level. NEVER place the system near a ledge.
- Do not move the system while workers are still connected to it; doing so could result in serious injury or death.
- Before moving system, ensure that the system capacity doesn't exceed the forklift capacity.
- Before moving system, use the boom lock to secure the track arm weldment to keep it from rotating.
- Forks must be 72 inches or longer to move the system.
- NEVER exceed five miles per hour while moving.
- NEVER move any part of the system in over 15 MPH winds.
- When moving the system, the upper portable base must remain bolted to the mast and track arm weldment. If your system requires stacked portable bases, the lower bases may be unbolted and moved separately.

NOTE 4:
Anchor bolts are provided to attach the mast to the portable base. Do not deviate from the recommended foundation, foundation size, provided anchor bolts and hardware, or installation recommendations without consulting a qualified professional.

Mast Installation for 4' X 4' and 5' X 5' Bases

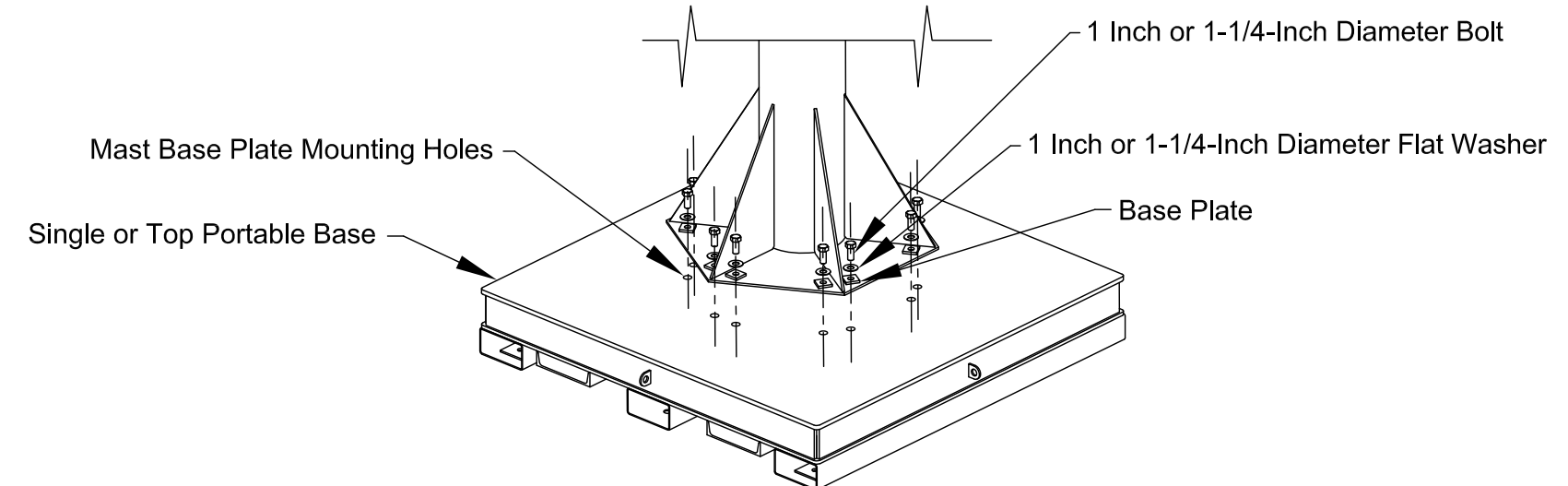
NOTE 8:
4' x 4' and 5' X 5' bases are never stacked.



NOTE 6:
If the mast's diameter is less than 18 inches, then 1-inch diameter anchor bolts and flat washers are required. If the mast's diameter is 18 inches, then 1-1/4-inch diameter anchor bolts and flat washers are required.

NOTE 7:
Using a four-foot level, verify that the top of the portable base is level both latitudinally and longitudinally on each side of the mast. Adjust the mast and portable base as needed until the top of the portable base is confirmed level.

Mast Installation for 8' X 8' Bases




Torque Specifications

Bolt Diameter	Minimum Hex Nut Torque
1 Inch	514 Foot-Pounds
1-1/4 Inch	803 Foot-Pounds

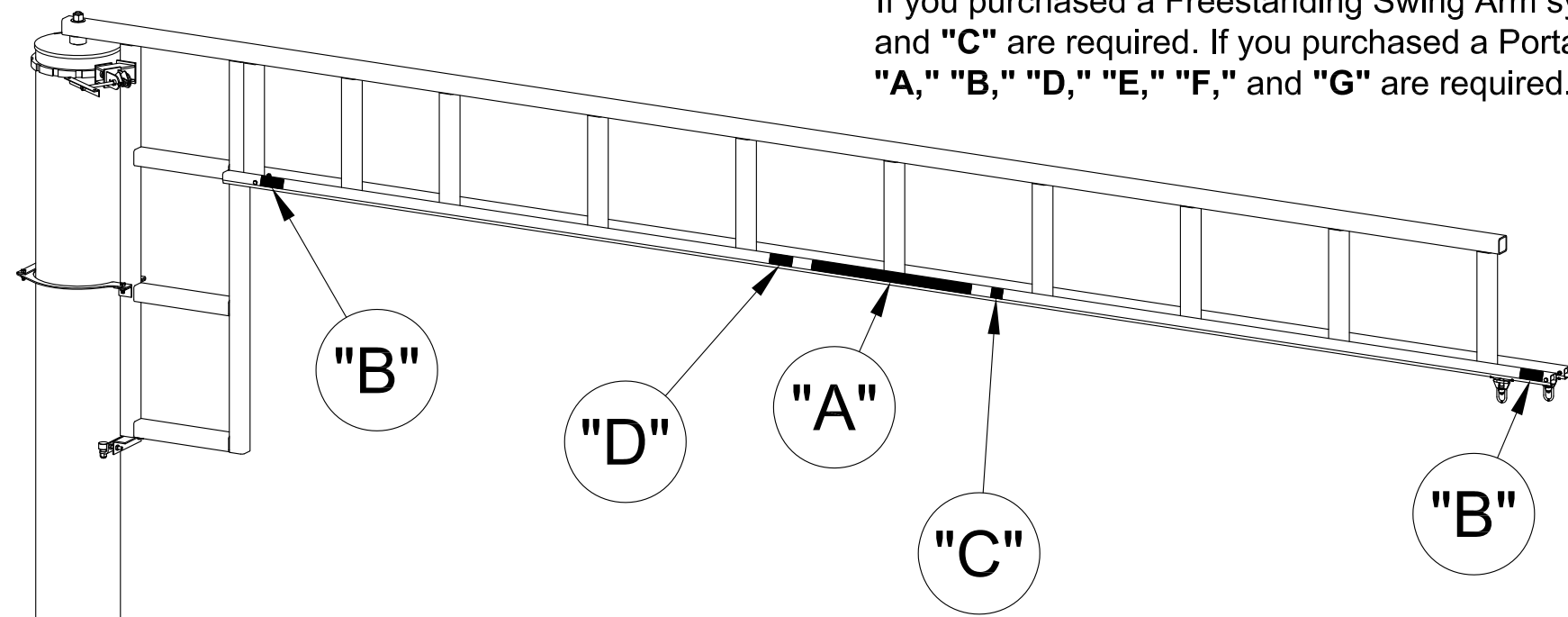
NOTE 5:
Do not over torque the anchor bolts or you will strip the nut inside the portable base.

Sheet 2 of 3

A	EEE	05/14/14	ADDED 4'X4' OR 5'X5' VIEW		
		FALL ARREST Portable Base Swing Arm Assembly Drawing			
					DRN: JRG
CHKD.:	DATE:	APPVD: JRG	DATE: 2-12-21	DWG. NO.:	REV.:
SCALE:		STATUS:		8-0440-DWG	A

The information contained in this drawing is the sole property of Rigid Lifelines. Any reproduction in part or whole without the written permission of Rigid Lifelines is prohibited.

NOTE 1:
If you purchased a Freestanding Swing Arm system, only labels "A," "B," and "C" are required. If you purchased a Portable Base Swing Arm, labels "A," "B," "D," "E," "F," and "G" are required.



RIGID LIFELINES PEOPLE & EQUIPMENT **PER TRACK. 900 LB. MAAF EA. PERSON** (800) 869-2080 RigidLifelines.com
See Note 2 for More Info 53-0359

NOTE 2:
Label "A" should be centered on the lower section of the track arm weldment on both sides and is P/N 53-0535 for one person per track systems, 53-0536 for two people per track systems, and 53-0359 for three to eight people per track systems, along with 53-0413 through 53-0418 respectively. Labels P/N 53-0413 through 53-0418 are the capacity numbers three through eight for the Anchor Track label and should be placed to the right of the line following "Rigid Lifelines."

"D"

"B"

P/N 53-0047 53-0047

See Note 3 for More Info 53-0047

"C"

P/N 53-0023

53-0023
See Note 3 for More Info

"D"

Serial #: 123456-789
Model #: X12XXXX34.5678.90
MFG Date: 00/0000

See Note 3 for More Info

NOTE 3:
Label 53-0047 "B" should be placed on both ends of the lower section of the track arm weldment on both sides.
Label 53-0023 "C" should be placed to the right of label "A" on both sides of the track arm weldment.
Label "D" should be placed on the lower section of the track arm weldment on both sides and on the mast assembly. For Portable Base Systems, label "D" should also be placed on the portable base.

Portable Base Swing Arm Only

"E"

P/N 53-0023

See Note 4 for More Info 53-0023

"F"

SAFETY INSTRUCTIONS

READ BEFORE OPERATING

1. Read installation manual (for bolt specs, etc.)
2. If bases are labeled for use together, they must always be used together.
3. Only place base on surfaces that are smooth, level, stable, and solid.
4. If moving the entire system:
 - Boom lock must be engaged (secure boom)
 - Only use a correct capacity forklift (do not use overhead crane or side lifting lugs)
 - Top base must always remain bolted to mast (if bases are stacked)
5. Be sure the base is level and the mast is plumb before use.
6. Do not move with person attached.

RIGID LIFELINES
P/N 53-0513 RigidLifelines.com

See Note 4 for More Info 53-0513

"G"

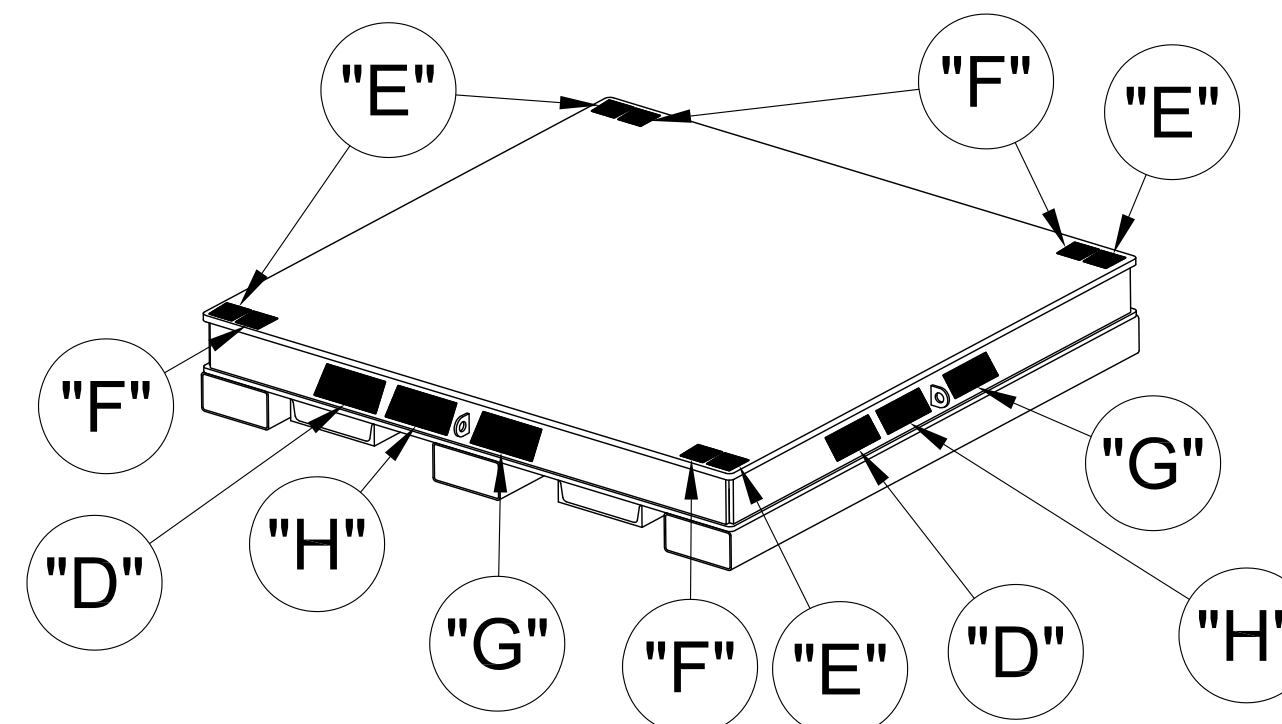
See Note 4 for More Info 53-0514

"H"

See Note 4 for More Info 53-0524

NOTE 4:
Label 53-0023 "E" should be placed in each corner on top of the portable base. Label 53-0513 "F" should be placed in each corner on top of the portable base next to label "E."
Label "G" should be placed to the right of the side lug on each side of the portable base and is P/N 53-0514 for "1 of 1," 53-0507 for "1 of 2," 53-0508 for "2 of 2," 53-0504 for "1 of 3," 53-0505 for "2 of 3," and 53-0506 for "3 of 3."
Label "H" is only for stackable bases and should be placed to the left of the side lug on each side of the portable base. Label "H" is P/N 53-0524 for a 10,000-pound base and 53-0523 for a 8,000-pound base.

Portable Base



Sheet 3 of 3

A	EEE	05/14/14	ADDED 4'X4' OR 5'X5' VIEW
		RIGID LIFELINES Division of Spanco, Inc.	
DRN: JRG	DATE: 2-4-14	FALL ARREST Freestanding and Portable Base Swing Arm Label Placement Drawing	
CHKD:	DATE:		
APPVD: JRG	DATE: 2-12-21		
SCALE:			
PROJECT NO.:	ACAD FILE:	DWG. NO. 8-0440-DWG	REV. A
PLOT DATE:	STATUS:		