

Freestanding Swing Arm

***Refer to selected details to determine specifications below.**

1) Worker Capacity (One or Two Person): _____

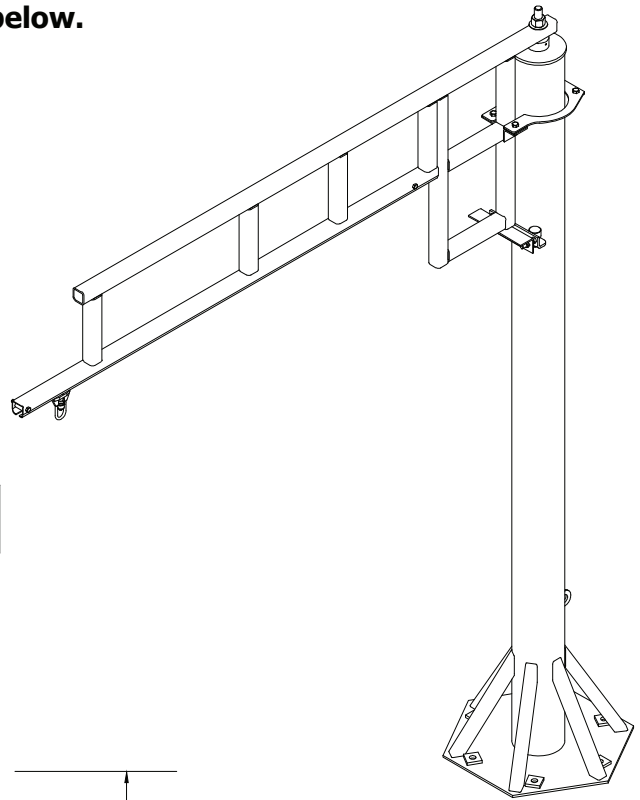
For more than two-worker access, please contact a Rigid Lifelines Technical Sales Support Specialist for system pricing.

2) Passability for Workers? Yes No

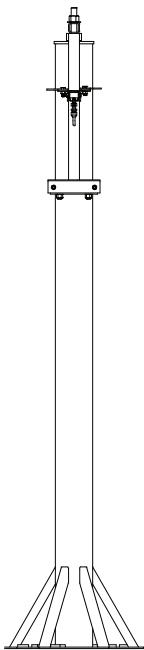
3) Arm Reach (AR): _____ feet

4) Trolley-Hook Height (THH): _____ feet

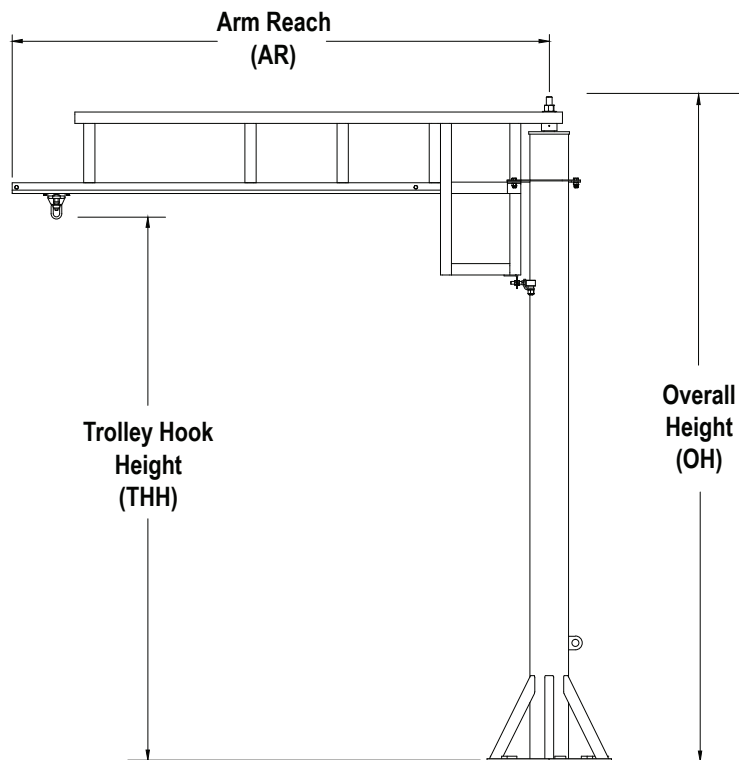
5) Portable Base Yes No



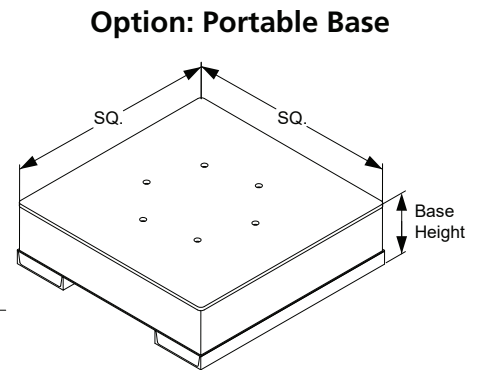
Top View



End View



Side View



Option: Portable Base