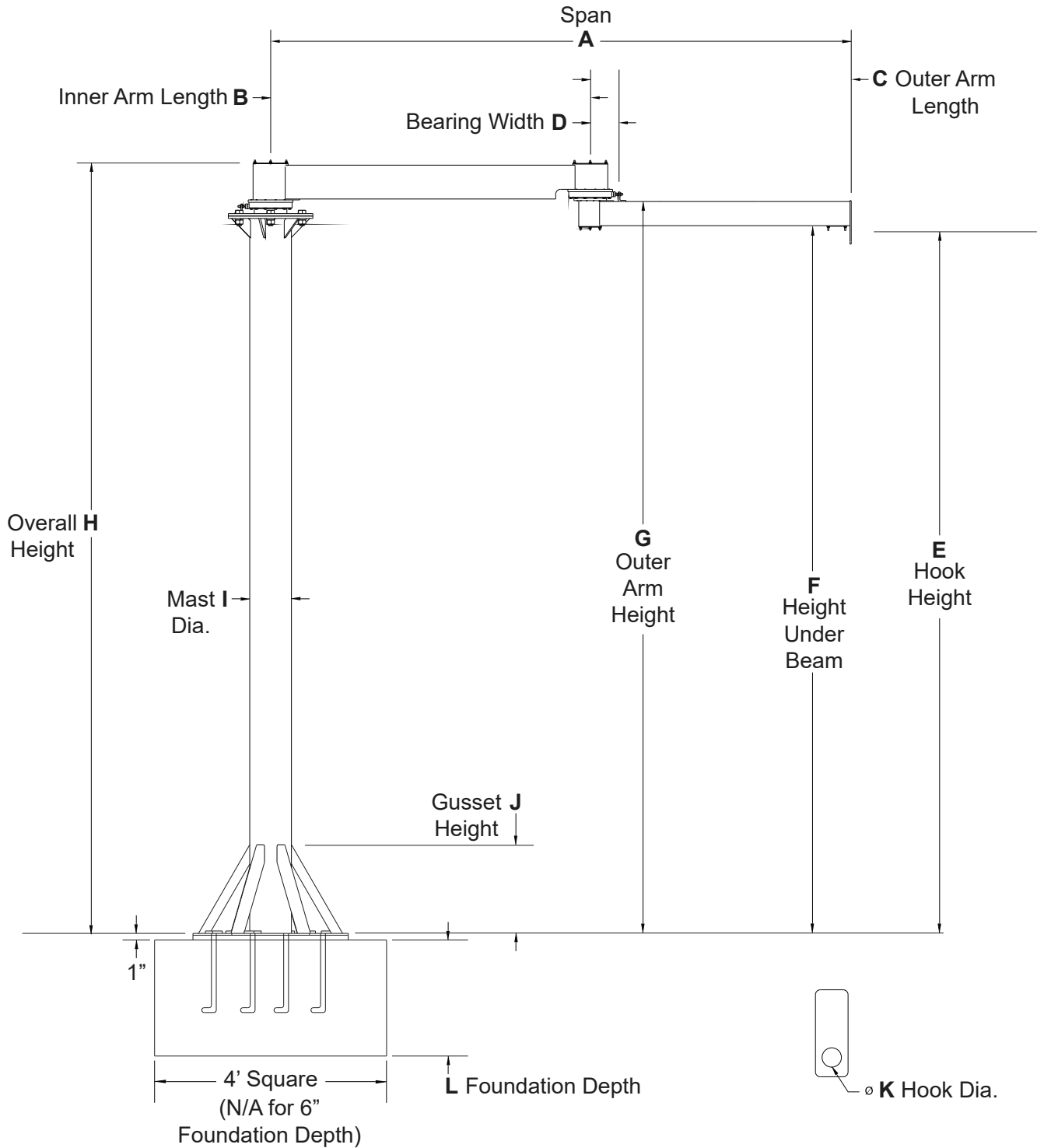


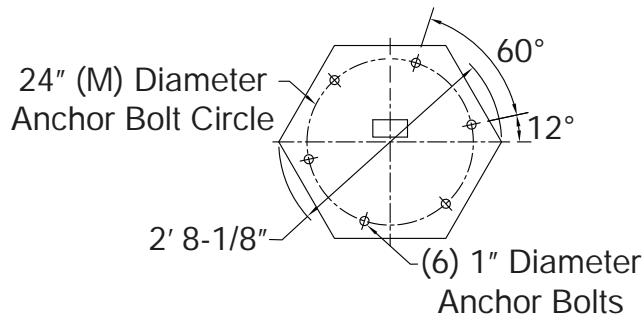
JIB CRANES — 402 SERIES FREESTANDING

402-SERIES DIMENSIONAL DRAWING

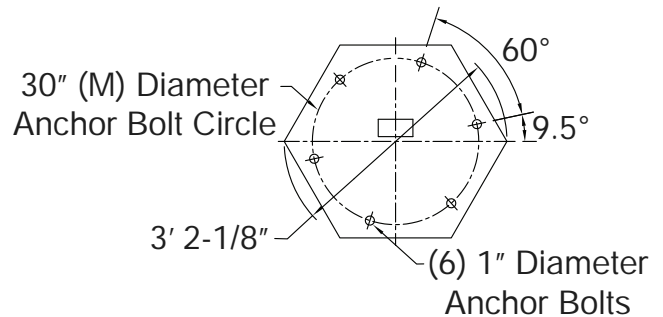


ANCHOR BOLT CIRCLE AND BASEPLATE DRAWING (DIMENSION M)

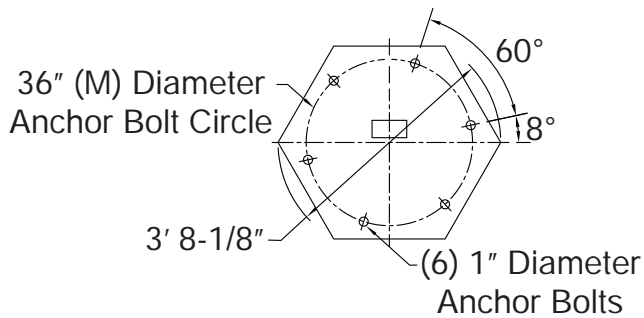
8-5/8" Diameter Masts



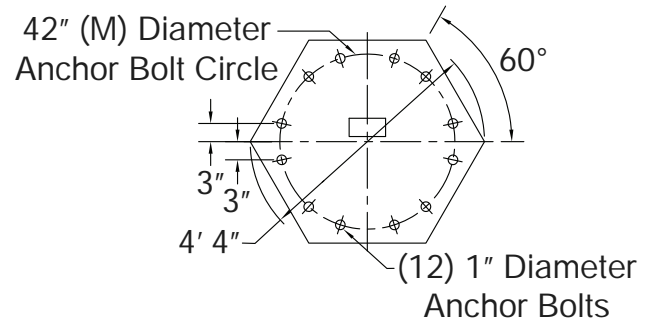
12-3/4" Diameter Masts



14" Diameter Masts



16" and 16X" Diameter Masts



JIB CRANES — 402 SERIES FREESTANDING

150 LBS. CAPACITY: MODEL NUMBERS, SHIPPING WEIGHTS, AND PRICES

| Capacity (LBS.) | E Hook Height | A Span | B Inner Arm Length | C Outer Arm Length | D Bearing Width | F Height Under Beam | G Outer Arm Height | H Overall Height | I Mast Dia. | J Gusset Height | K Hook Dia. | L Found. Depth | M Anchor Bolt Circle | Net Wt. (LBS.) | Model No. |
|-----------------|---------------|--------|--------------------|--------------------|-----------------|---------------------|--------------------|------------------|-------------|-----------------|-------------|----------------|----------------------|----------------|----------------|
| 150 | 8' | 8' | 4' 6" | 3' 6" | 4-5/8" | 8' 2-13/16" | 8' 7-13/16" | 9' 4-3/8" | 8-5/8" | 18-3/8" | 2" | 6" | 24" | 427 | 402L-8-8-150 |
| | | 10' | 5' 6" | 4' 6" | 4-5/8" | 8' 2-13/16" | 8' 7-13/16" | 9' 4-3/8" | 8-5/8" | 18-3/8" | 2" | 6" | 24" | 447 | 402L-10-8-150 |
| | | 12' | 6' 6" | 5' 6" | 4-5/8" | 8' 2-13/16" | 8' 7-13/16" | 9' 4-3/8" | 8-5/8" | 18-3/8" | 2" | 6" | 24" | 466 | 402L-12-8-150 |
| | | 14' | 7' 6" | 6' 6" | 4-5/8" | 8' 2-13/16" | 8' 7-13/16" | 9' 4-3/8" | 8-5/8" | 18-3/8" | 2" | 6" | 24" | 486 | 402L-14-8-150 |
| | | 16' | 8' 6" | 7' 6" | 4-5/8" | 8' 2-13/16" | 8' 7-13/16" | 9' 4-3/8" | 12-3/4" | 20" | 2" | 6" | 30" | 624 | 402L-16-8-150 |
| | 10' | 8' | 4' 6" | 3' 6" | 4-5/8" | 10' 2-13/16" | 10' 7-13/16" | 11' 4-3/8" | 8-5/8" | 18-3/8" | 2" | 6" | 24" | 472 | 402L-8-10-150 |
| | | 10' | 5' 6" | 4' 6" | 4-5/8" | 10' 2-13/16" | 10' 7-13/16" | 11' 4-3/8" | 8-5/8" | 18-3/8" | 2" | 6" | 24" | 492 | 402L-10-10-150 |
| | | 12' | 6' 6" | 5' 6" | 4-5/8" | 10' 2-13/16" | 10' 7-13/16" | 11' 4-3/8" | 8-5/8" | 18-3/8" | 2" | 6" | 24" | 511 | 402L-12-10-150 |
| | | 14' | 7' 6" | 6' 6" | 4-5/8" | 10' 2-13/16" | 10' 7-13/16" | 11' 4-3/8" | 8-5/8" | 18-3/8" | 2" | 6" | 24" | 531 | 402L-14-10-150 |
| | | 16' | 8' 6" | 7' 6" | 4-5/8" | 10' 2-13/16" | 10' 7-13/16" | 11' 4-3/8" | 12-3/4" | 20" | 2" | 6" | 30" | 691 | 402L-16-10-150 |
| | 12' | 8' | 4' 6" | 3' 6" | 4-5/8" | 12' 2-13/16" | 12' 7-13/16" | 13' 4-3/8" | 8-5/8" | 18-3/8" | 2" | 6" | 24" | 517 | 402L-8-12-150 |
| | | 10' | 5' 6" | 4' 6" | 4-5/8" | 12' 2-13/16" | 12' 7-13/16" | 13' 4-3/8" | 8-5/8" | 18-3/8" | 2" | 6" | 24" | 537 | 402L-10-12-150 |
| | | 12' | 6' 6" | 5' 6" | 4-5/8" | 12' 2-13/16" | 12' 7-13/16" | 13' 4-3/8" | 8-5/8" | 18-3/8" | 2" | 6" | 24" | 556 | 402L-12-12-150 |
| | | 14' | 7' 6" | 6' 6" | 4-5/8" | 12' 2-13/16" | 12' 7-13/16" | 13' 4-3/8" | 12-3/4" | 20" | 2" | 6" | 30" | 783 | 402L-14-12-150 |
| | | 16' | 8' 6" | 7' 6" | 4-5/8" | 12' 2-13/16" | 12' 7-13/16" | 13' 4-3/8" | 12-3/4" | 20" | 2" | 6" | 30" | 803 | 402L-16-12-150 |
| | 14' | 8' | 4' 6" | 3' 6" | 4-5/8" | 14' 2-13/16" | 14' 7-13/16" | 15' 4-3/8" | 8-5/8" | 18-3/8" | 2" | 6" | 24" | 562 | 402L-8-14-150 |
| | | 10' | 5' 6" | 4' 6" | 4-5/8" | 14' 2-13/16" | 14' 7-13/16" | 15' 4-3/8" | 8-5/8" | 18-3/8" | 2" | 6" | 24" | 582 | 402L-10-14-150 |
| | | 12' | 6' 6" | 5' 6" | 4-5/8" | 14' 2-13/16" | 14' 7-13/16" | 15' 4-3/8" | 8-5/8" | 18-3/8" | 2" | 6" | 24" | 601 | 402L-12-14-150 |
| | | 14' | 7' 6" | 6' 6" | 4-5/8" | 14' 2-13/16" | 14' 7-13/16" | 15' 4-3/8" | 12-3/4" | 20" | 2" | 6" | 30" | 805 | 402L-14-14-150 |
| | | 16' | 8' 6" | 7' 6" | 4-5/8" | 14' 2-13/16" | 14' 7-13/16" | 15' 4-3/8" | 12-3/4" | 20" | 2" | 6" | 30" | 825 | 402L-16-14-150 |

*All dimensions and weights are estimates and not guaranteed for shipping purposes.

JIB CRANES — 402 SERIES FREESTANDING

250 TO 500 LBS. CAPACITY: MODEL NUMBERS, SHIPPING WEIGHTS, AND PRICES

| Capacity (LBS.) | E Hook Height | A Span | B Inner Arm Length | C Outer Arm Length | D Bearing Width | F Height Under Beam | G Outer Arm Height | H Overall Height | I Mast Dia. | J Gusset Height | K Hook Dia. | L Found. Depth | M Anchor Bolt Circle | Net Wt. (LBS.) | Model No. |
|-----------------|---------------|--------|--------------------|--------------------|-----------------|---------------------|--------------------|------------------|-------------|-----------------|-------------|----------------|----------------------|----------------|----------------|
| 250 | 8' | 8' | 4' 6" | 3' 6" | 4-5/8" | 8' 2-13/16" | 8' 7-13/16" | 9' 4-3/8" | 8-5/8" | 18-3/8" | 2" | 6" | 24" | 427 | 402L-8-8-250 |
| | | 10' | 5' 6" | 4' 6" | 4-5/8" | 8' 2-13/16" | 8' 7-13/16" | 9' 4-3/8" | 8-5/8" | 18-3/8" | 2" | 6" | 24" | 447 | 402L-10-8-250 |
| | | 12' | 6' 6" | 5' 6" | 4-5/8" | 8' 2-13/16" | 8' 7-13/16" | 9' 4-3/8" | 12-3/4" | 20" | 2" | 36" | 30" | 584 | 402L-12-8-250 |
| | | 14' | 7' 6" | 6' 6" | 5-5/16" | 8' 3" | 8' 9" | 9' 10-11/16" | 12-3/4" | 20" | 2-1/2" | 36" | 30" | 928 | 402M-14-8-250 |
| | | 16' | 8' 6" | 7' 6" | 5-5/16" | 8' 3" | 8' 9" | 9' 10-11/16" | 12-3/4" | 20" | 2-1/2" | 36" | 30" | 966 | 402M-16-8-250 |
| | 10' | 8' | 4' 6" | 3' 6" | 4-5/8" | 10' 2-13/16" | 10' 7-13/16" | 11' 4-3/8" | 8-5/8" | 18-3/8" | 2" | 6" | 24" | 472 | 402L-8-10-250 |
| | | 10' | 5' 6" | 4' 6" | 4-5/8" | 10' 2-13/16" | 10' 7-13/16" | 11' 4-3/8" | 8-5/8" | 18-3/8" | 2" | 6" | 24" | 492 | 402L-10-10-250 |
| | | 12' | 6' 6" | 5' 6" | 4-5/8" | 10' 2-13/16" | 10' 7-13/16" | 11' 4-3/8" | 12-3/4" | 20" | 2" | 36" | 30" | 651 | 402L-12-10-250 |
| | | 14' | 7' 6" | 6' 6" | 5-5/16" | 10' 3" | 10' 9" | 11' 10-11/16" | 12-3/4" | 20" | 2-1/2" | 36" | 30" | 995 | 402M-14-10-250 |
| | | 16' | 8' 6" | 7' 6" | 5-5/16" | 10' 3" | 10' 9" | 11' 10-11/16" | 12-3/4" | 20" | 2-1/2" | 36" | 30" | 1,033 | 402M-16-10-250 |
| | 12' | 8' | 4' 6" | 3' 6" | 4-5/8" | 12' 2-13/16" | 12' 7-13/16" | 13' 4-3/8" | 8-5/8" | 18-3/8" | 2" | 6" | 24" | 517 | 402L-8-12-250 |
| | | 10' | 5' 6" | 4' 6" | 4-5/8" | 12' 2-13/16" | 12' 7-13/16" | 13' 4-3/8" | 8-5/8" | 18-3/8" | 2" | 6" | 24" | 537 | 402L-10-12-250 |
| | | 12' | 6' 6" | 5' 6" | 4-5/8" | 12' 2-13/16" | 12' 7-13/16" | 13' 4-3/8" | 12-3/4" | 20" | 2" | 36" | 30" | 718 | 402L-12-12-250 |
| | | 14' | 7' 6" | 6' 6" | 5-5/16" | 12' 3" | 12' 3" | 13' 10-11/16" | 12-3/4" | 20" | 2-1/2" | 36" | 30" | 1,062 | 402M-14-12-250 |
| | | 16' | 8' 6" | 7' 6" | 5-5/16" | 12' 3" | 12' 3" | 13' 10-11/16" | 12-3/4" | 20" | 2-1/2" | 36" | 30" | 1,100 | 402M-16-12-250 |
| | 14' | 8' | 4' 6" | 3' 6" | 4-5/8" | 14' 2-13/16" | 14' 7-13/16" | 15' 4-3/8" | 8-5/8" | 18-3/8" | 2" | 6" | 24" | 562 | 402L-8-14-250 |
| | | 10' | 5' 6" | 4' 6" | 4-5/8" | 14' 2-13/16" | 14' 7-13/16" | 15' 4-3/8" | 12-3/4" | 20" | 2" | 6" | 30" | 766 | 402L-10-14-250 |
| | | 12' | 6' 6" | 5' 6" | 4-5/8" | 14' 2-13/16" | 14' 7-13/16" | 15' 4-3/8" | 12-3/4" | 20" | 2" | 36" | 30" | 785 | 402L-12-14-250 |
| | | 14' | 7' 6" | 6' 6" | 5-5/16" | 14' 3" | 14' 9" | 15' 10-11/16" | 12-3/4" | 20" | 2-1/2" | 36" | 30" | 1,129 | 402M-14-14-250 |
| | | 16' | 8' 6" | 7' 6" | 5-5/16" | 14' 3" | 14' 9" | 15' 10-11/16" | 12-3/4" | 20" | 2-1/2" | 36" | 30" | 1,167 | 402M-16-14-250 |
| 500 | 8' | 8' | 4' 6" | 3' 6" | 5-5/16" | 8' 3" | 8' 9" | 9' 10-11/16" | 12-3/4" | 20" | 2-1/2" | 36" | 30" | 815 | 402M-8-8-500 |
| | | 10' | 5' 6" | 4' 6" | 5-5/16" | 8' 3" | 8' 9" | 9' 10-11/16" | 12-3/4" | 20" | 2-1/2" | 36" | 30" | 853 | 402M-10-8-500 |
| | | 12' | 6' 6" | 5' 6" | 5-5/16" | 8' 3" | 8' 9" | 9' 10-11/16" | 12-3/4" | 20" | 2-1/2" | 48" | 30" | 891 | 402M-12-8-500 |
| | | 14' | 7' 6" | 6' 6" | 5-5/16" | 8' 3" | 8' 9" | 9' 10-11/16" | 12-3/4" | 20" | 2-1/2" | 48" | 30" | 929 | 402M-14-8-500 |
| | | 16' | 8' 6" | 7' 6" | 5-5/16" | 8' 3" | 8' 9" | 9' 10-11/16" | 12-3/4" | 20" | 2-1/2" | 48" | 30" | 967 | 402M-16-8-500 |
| | 10' | 8' | 4' 6" | 3' 6" | 5-5/16" | 10' 3" | 10' 9" | 11' 10-11/16" | 12-3/4" | 20" | 2-1/2" | 36" | 30" | 837 | 402M-8-10-500 |
| | | 10' | 5' 6" | 4' 6" | 5-5/16" | 10' 3" | 10' 9" | 11' 10-11/16" | 12-3/4" | 20" | 2-1/2" | 36" | 30" | 920 | 402M-10-10-500 |
| | | 12' | 6' 6" | 5' 6" | 5-5/16" | 10' 3" | 10' 9" | 11' 10-11/16" | 12-3/4" | 20" | 2-1/2" | 48" | 30" | 958 | 402M-12-10-500 |
| | | 14' | 7' 6" | 6' 6" | 5-5/16" | 10' 3" | 10' 9" | 11' 10-11/16" | 12-3/4" | 20" | 2-1/2" | 48" | 30" | 996 | 402M-14-10-500 |
| | | 16' | 8' 6" | 7' 6" | 5-5/16" | 10' 3" | 10' 9" | 11' 10-11/16" | 12-3/4" | 20" | 2-1/2" | 48" | 30" | 1,034 | 402M-16-10-500 |
| | 12' | 8' | 4' 6" | 3' 6" | 5-5/16" | 12' 3" | 12' 9" | 13' 10-11/16" | 12-3/4" | 20" | 2-1/2" | 36" | 30" | 949 | 402M-8-12-500 |
| | | 10' | 5' 6" | 4' 6" | 5-5/16" | 12' 3" | 12' 9" | 13' 10-11/16" | 12-3/4" | 20" | 2-1/2" | 36" | 30" | 985 | 402M-10-12-500 |
| | | 12' | 6' 6" | 5' 6" | 5-5/16" | 12' 3" | 12' 9" | 13' 10-11/16" | 12-3/4" | 20" | 2-1/2" | 48" | 30" | 1,021 | 402M-12-12-500 |
| | | 14' | 7' 6" | 6' 6" | 5-5/16" | 12' 3" | 12' 9" | 13' 10-11/16" | 12-3/4" | 20" | 2-1/2" | 48" | 30" | 1,057 | 402M-14-12-500 |
| | | 16' | 8' 6" | 7' 6" | 5-5/16" | 12' 3" | 12' 9" | 13' 10-11/16" | 12-3/4" | 20" | 2-1/2" | 48" | 30" | 1,093 | 402M-16-12-500 |
| | 14' | 8' | 4' 6" | 3' 6" | 5-5/16" | 14' 3" | 14' 9" | 15' 10-11/16" | 12-3/4" | 20" | 2-1/2" | 36" | 30" | 1,016 | 402M-8-14-500 |
| | | 10' | 5' 6" | 4' 6" | 5-5/16" | 14' 3" | 14' 9" | 15' 10-11/16" | 12-3/4" | 20" | 2-1/2" | 36" | 30" | 1,054 | 402M-10-14-500 |
| | | 12' | 6' 6" | 5' 6" | 5-5/16" | 14' 3" | 14' 9" | 15' 10-11/16" | 12-3/4" | 20" | 2-1/2" | 48" | 30" | 1,092 | 402M-12-14-500 |
| | | 14' | 7' 6" | 6' 6" | 5-5/16" | 14' 3" | 14' 9" | 15' 10-11/16" | 12-3/4" | 20" | 2-1/2" | 48" | 30" | 1,130 | 402M-14-14-500 |
| | | 16' | 8' 6" | 7' 6" | 5-5/16" | 14' 3" | 14' 9" | 15' 10-11/16" | 12-3/4" | 20" | 2-1/2" | 48" | 30" | 1,168 | 402M-16-14-500 |

*All dimensions and weights are estimates and not guaranteed for shipping purposes.