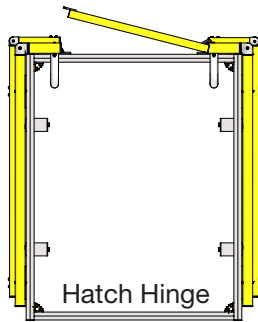
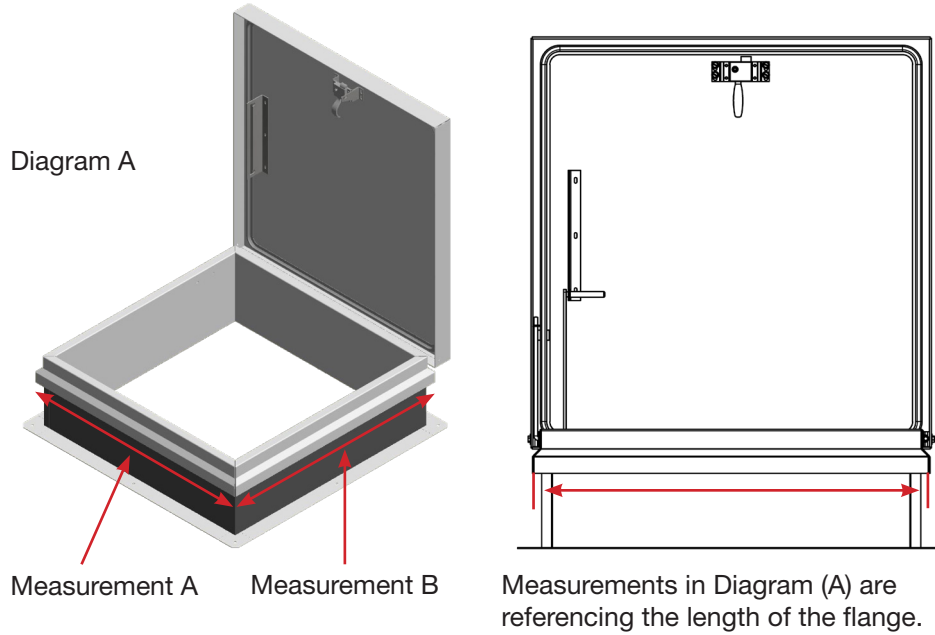


KATTGUARD Roof Hatch Assessment Form

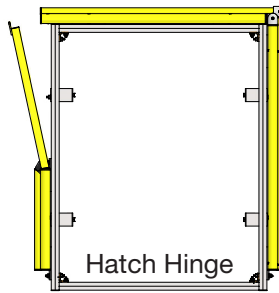
1. Measure the roof hatch flange length for measurement 'A'.
2. Measure the roof hatch flange length for measurement 'B'.
3. Circle your exit type.



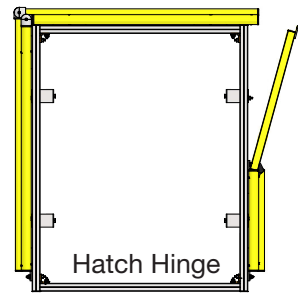
INDUSTRIAL
ProShop



A: Front Exit



B: Left Exit



C: Right Exit

Measurement A	
Measurement B	
Exit Option	