

FIXED-HEIGHT ROLLING A-FRAME

ANCHOR TRACK™ SYSTEM

Assembly and Operation Instruction Manual



A N C H O R
TRA**C**K



WARNING

RIGID LIFELINES CONDITIONS OF USE AND WARNING STATEMENT

1. Read, understand, and follow the manual, assembly drawings, and warnings provided with your system **before** beginning installation.
2. This manual, and any other instructions, must be provided to the users of this equipment. The user must understand the equipment's proper use and limitations.
3. A fall event can result in serious injury or death. This equipment, when used properly, reduces the chances of those outcomes.
4. Always perform a hazard analysis **before use** that will identify impact hazards, swing hazards, or any other hazards that may exist. Address and correct all hazards **before use**.
5. Always have a written rescue plan that defines who will rescue a fallen worker, what equipment will be used, and optimum rescue response time. If the same system will be used for rescue, a minimum of a two-man system must be specified.
6. Follow all current requirements of ANSI Z359 (or CSA Z259 in Canada).
7. Each component and system must be employed and maintained in accordance with all OSHA and ANSI standards.
8. Per OSHA and ANSI (or CSA Z259 in Canada) requirements, designate a competent person who can fulfill obligations of all regulations.
9. Note the maximum number of users and weight capacities are listed on a label on the system. Exceeding the capacities listed on this label can result in serious injury or death.
10. Always check for overhead hazards, such as power lines, trees, overhead structures, or walls, before using or moving system.
11. Any component replacement, addition, or change to any portion of the system must be evaluated by a Qualified Person as defined by OSHA standards.
12. Never use this system for material handling.
13. Never use the system with scaffolding.
14. Never use the system alone without a monitor. Use the buddy system when using fall protection. The monitor, or "buddy," does not need to be attached to the system, but just nearby supervising.
15. Consult with a qualified person for minimum fitness requirements for workers. Determination of minimum fitness levels of workers prior to use of system is by others.
16. For mobile systems—It is the responsibility of the user and their management's Competent Person to determine that the system's base is level, the masts are plumb, and that the entire, leveled system is stable before every use.
17. For movable track systems—Always use the system in work spaces that allow you to move the system's runway as close as possible to the center of the work area.
18. The system must only be used on a flat, level, and firm surface. The surface must be firm enough to support vehicle traffic without compressing, deflecting, or distorting, and must be free of obstacles that might slow or hamper rolling of the caster wheels.
19. A maximum of two (2) workers may push the system at a time. Never push the system with more than two (2) workers.
20. Never push system with a powered vehicle unless the instructions specifically allow.
21. Only push the system in a direction perpendicular to the bridge beam.
22. **Before each use**, inspect the system for bent, broken, cracked, or missing components.
23. A competent person must thoroughly inspect the system **annually** and **after each fall event**.
24. There should never be any type of loading past the end stops for any reason.



WARNING

RIGID LIFELINES CONDITIONS OF USE AND WARNING STATEMENT

25. When connecting track sections on runway systems, track splice and truss splice plates are required. For trussed track, splice joint centers must be within maximum 48 inches of the hanger support centers unless otherwise specified. For plain track, splice track centers must be within maximum 18 inches of the hanger support centers unless otherwise specified.
26. Systems with flush clamp hangers do not require sway bracing. However, all systems mounted to the ceiling must be laterally and longitudinally braced with bracing provided by others.
27. It is the customer's responsibility to confirm that the system and components will work in and are acceptable for their specific application and environment.
28. For foundation-mounted systems, bracing is not required for non-seismic applications. However, if any sway is perceived as undesirable, lateral bracing can be installed to the system by others. To achieve desired rigidity for a specific application, Rigid Lifelines® recommends consulting a professional engineer in your area to satisfy all codes and ordinances. For foundation-mounted systems, chemical anchor bolts supplied by others are required and must provide approximately 7000-pound pull-out force. More accurate pull-out forces are available upon request.
29. Engineering of any attachment points must be done by others.
30. Component appearances and dimensions shown are approximate and subject to change without notice. All catalog dimensions are developed using standard components for the spans and capacities. Substitution of optional trolleys or other components will affect certain dimensions.
31. All Rigid Lifelines Anchor Track™ Systems meet or exceed OSHA and ANSI requirements.
32. Never load the track at an angle greater than specified in the system's user manual.
33. Never use the system with the attachment point below the D-Ring of the harness.
34. Only the following self-retracting lanyard (SRL) design specifications are acceptable for use on Rigid Lifelines Anchor Track Systems:
 - a) 900-pound maximum average arresting force (MAAF)
 - b) 4.5 feet-per-second lock up speed
 - c) Disk or drum braking mechanism
 - d) Wire rope SRL's can be used for indoor or outdoor applications
 - e) Fabric or web SRL's can be used only for indoor applications
35. The following energy-absorbing lanyards are **not** acceptable: rip-stitch packs, shock packs, or stretchable energy.
36. Choose the shortest length SRL that will allow the workers to perform their job function. The shortest length SRL will reduce total fall distance by reducing "cable cinching" on the internal SRL pulley. Fabric lanyards stretch under load. The longer the lanyard, the longer the stretch.
37. Never use metallic cables or metallic SRL's around electrical power sources.
38. Only an ANSI (or CSA in Canada) full-body harness is acceptable for use on Rigid Lifelines Anchor Track Systems.
39. Never use body belts on this system.
40. Never add additional carabiners, D-Rings, shackles, or connecting hardware to this system.
41. On Traveling Bridge Anchor Track Systems, always position the bridge(s) directly overhead of worker(s) at all times.
42. If a boom is provided, never apply a lateral load at the boom tip.
43. Never deviate from the above unless you have written permission and authorization from Rigid Lifelines.



WARNING

Do not move the system while workers are still connected to it; doing so may result in serious injury or death.

Do not use the system on an incline; only use the system on surfaces that are firm and level. NEVER place the system near a ledge.

Follow the Inspection Checklists in this manual: the first checklist is to be reviewed before each use and the second checklist is for after a fall event and annual inspections.

NEVER EXCEED 10 DEGREES OFF-PLUMB (OFF-CENTER) LOADING.

THE CASTERS' WHEEL LOCKS MUST BE ENGAGED WHILE SYSTEM IS IN USE. Ensure that the casters' wheel locks are making contact with the wheel material for maximum effectiveness.

Push the Fixed-Height Rolling A-Frame legs by hand only. Do not push or pull the Fixed-Height Rolling A-Frame with forklift or other vehicles. Do not pull sideways on system.

Store the system with the casters' wheel locks engaged to prevent the system from falling over.



WARNING

This system must be used with an ANSI-rated self-retracting lanyard (SRL).

If the system is used outdoors, it is highly recommended that a steel cable SRL with heavy-duty housing be used for improved durability against UV radiation and moisture.

A web strap ANSI-rated SRL may be acceptable for use as long as a Competent Person has evaluated the situation and determined that there are no factors present that can have an immediate negative impact on the integrity of the SRL's webbing material AND that the Competent Person inspects the condition of the SRL's webbing and housing prior to each use.



WARNING

Completely retracting the SRL after each use (e.g., using a retrieval tagline) is essential: otherwise, the SRL's internal spring remains under tension, and it quickly loses its ability to arrest a freefall properly.

Retrieval taglines must never be used as an anchorage; doing so could result in serious injury or death.

TABLE OF CONTENTS

| | |
|---|-------------------|
| CONDITIONS OF USE AND WARNINGS STATEMENT | i-iii |
| SYSTEM APPLICATIONS | 2 |
| STANDARDS AND COMPLIANCE | 2 |
| REQUIRED TRAINING | 2 |
| ASSEMBLY INSTRUCTIONS | 3 |
| 1. Equipment Needed for Assembly | 3 |
| 2. Inventory | 3 |
| 3. Attaching the Wheel Brakes onto the Casters | 4 |
| 4. Attaching the Swivel Locks onto the Casters | 4-5 |
| 5. Attaching the Caster Assemblies to the Leg Assemblies | 5 |
| 6. Attaching the Leg Connection Plates | 5-6 |
| 7. Attaching the Lower Brace Tubes | 6 |
| 8. Attaching the Upper Brace Tubes | 7 |
| 9. Attaching the Leg Assemblies to the Beam Weldment | 7-8 |
| 10. Attaching the Anchor Track™ | 8 |
| 11. Attaching the Anchor Trolley™ | 9 |
| 12. Torquing the System Fasteners | 9 |
| DISASSEMBLY | 9 |
| INTERMEDIATE BUMPER INSTALLATION (IF SUPPLIED) | 10 |
| OPERATING INSTRUCTIONS | 11 |
| MAINTENANCE | 11 |
| LABELING | 12 |
| FIXED-HEIGHT ROLLING A-FRAME INSPECTION CHECKLISTS | 13 |
| 13. Fixed-Height Rolling A-Frame Anchor Track™ System | 13 |
| 14. Annual Anchor Track™ System | 14 |
| PRODUCT WARRANTY COVERAGE | 15 |
| ABOUT RIGID LIFELINES® | BACK COVER |

SYSTEM APPLICATIONS

The Fixed-Height Rolling A-Frame Anchor Track™ System is used for fall protection applications. This fall protection system is labeled with maximum number of users and maximum arresting force; follow all limitations as noted on system label. Each user must attach to this system using a personal fall arrest system.

STANDARDS AND COMPLIANCE

Please refer to local, state, and federal (OSHA) requirements governing occupational safety for additional information regarding personal fall arrest systems. The Fixed-Height Rolling A-Frame Anchor Track System meets or exceeds the requirements set forth in OSHA 1910, OSHA 1926, and ANSI Z359.

REQUIRED TRAINING

This system is intended to be used by people who are trained in its correct application and use. It is the responsibility of the users and the users' management to assure that they are familiar with these instructions and are trained in the correct use and care of this equipment. Authorized users must also be aware of the operating characteristics, application limits, and the consequences of improper use, which can result in serious injury or death.

Every application of fall protection must be part of a comprehensive managed fall protection program. Each program must include, but is not limited to:

- Hazard analysis
- Authorized person training
- Competent person implementation
- Rescue procedures
- Rescue training

The above list is not a comprehensive list. Specific applications may need to include additional items, such as administrative controls or engineered controls. A Qualified Fall Protection Engineer or OSHA Qualified Person should review the comprehensive managed fall protection program to ensure that it is adequate for your specific application. For more information on how to set up a proper Fall Protection Program within your facility, follow ANSI Z359.2 *Minimum Requirements for a Comprehensive Managed Fall Protection Program*, which is available at: www.assp.org.

ASSEMBLY INSTRUCTIONS

1. Equipment Needed for Assembly

- a) This manual
- b) Applicable safety equipment for workers' use during assembly, such as hard hats, safety shoes, etc.
- c) A telescoping fork truck or crane and a man lift/cherry picker; ensure that your equipment has a five-ton capacity and can reach the height of your system.
- d) Torque wrench
- e) Medium-sized straight (flathead) screwdriver
- f) Assorted drift pins
- g) Lifting straps
- h) A spacious, level area for assembly (ex: a parking lot)
- i) Wrench/Socket sizes: 3/4 inch, 15/16 inch, and 1-1/8 inch
- j) Assembly time: allow two workers approximately eight hours for assembly.
- k) Four six-inch by six-inch (or larger) wood blocks
- l) *FAPF-ASSEMBLY SHEET 1 OF 2*, hereafter referred to as Fixed-Height *Rolling A-Frame Assembly Drawing*, will be included as a separate document.
- m) *FAPF-ASSEMBLY SHEET 2 OF 2*, hereafter referred to as Fixed-Height *Rolling A-Frame Label Placement Drawing*, will be included as a separate document.
- n) The Anchor Trolley™ User Instruction Manual (Manual 103-0054), which is packaged with the Anchor Trolley, will be included as a separate document.

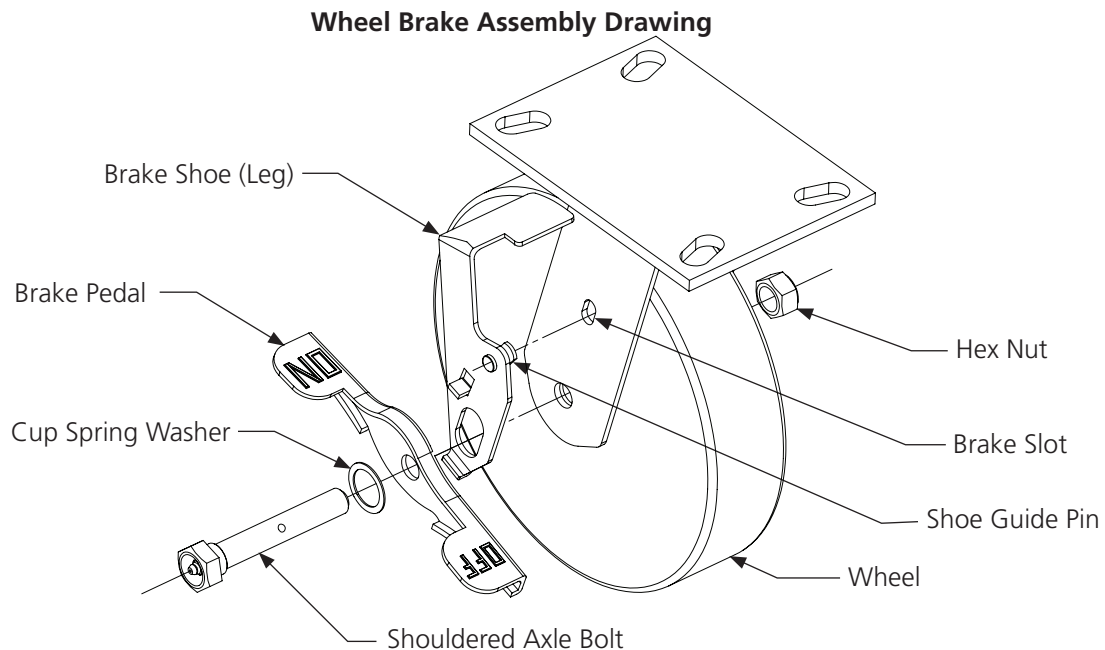
2. Inventory

- a) Open all bundles and confirm that all components are accounted for: see *Building Materials Description* located in the top right corner of the Fixed-Height Rolling A-Frame Assembly Drawing. Note that the quantity of components in an assembly is multiplied by the number of the assemblies.
- b) Check for damage to components that may have occurred during shipping. Check the caster assemblies for potentially concealed damage.

3. Attaching the Wheel Brakes onto the Casters

Refer to Fixed-Height Rolling A-Frame Assembly Drawing for Steps A Through J

- a) If you ordered pneumatic or dual-pneumatic casters, your casters ship with their wheel brakes already attached. If you ordered polyurethane casters, follow steps **b** through **j** to attach the wheel brakes. Refer to the wheel brake assembly drawing below throughout the assembly process.



- b)** Cut the zip tie holding the swivel lock on the caster assembly. You will need the swivel lock for step "**4. Attaching the Swivel Lock onto the Casters.**"
- c)** Using a 3/4-inch wrench and 3/4-inch socket and ratchet, unbolt the wheel stud and remove the nut, bolt, washer, and wheel.
- NOTE:** If the spacers fall out of the wheel, reinsert them into the wheel holes.
- d)** With the top of the brake shoe facing towards the caster assembly, insert the guide pin on the brake shoe into the brake slot on the caster assembly.
- e)** Using a screwdriver, slightly bend the brake shoe tab so that the brake shoe guide pin and brake shoe tab fit properly.
- f)** With the brake pedal tabs pointed away from the caster assembly, line up the hole on the brake pedal with the hole on the brake shoe. "On" and "Off" on the brake pedal tabs should be visible when the caster assembly is mounted to the system.
- g)** Line up the wheel holes with the brake shoe hole and brake pedal hole.
- h)** With the washer on the bolt-side of the caster assembly, reinsert the longer axle bolt through the brake pedal, brake shoe, and wheel. Reinstall the hex nut at this time.
- i)** Using a 3/4-inch wrench and 3/4-inch socket and ratchet, securely tighten the hex nut.
- j)** Repeat steps **b** through **i** to install the remaining wheel brakes.

4. Attaching the Swivel Lock onto the Casters

Refer to Fixed-Height Rolling A-Frame Assembly Drawing for Steps A Through F

- a)** The swivel lock ships zip tied to the caster assembly for pneumatic, dual-pneumatic, and polyurethane casters. For polyurethane casters, you should have removed the swivel lock while installing the wheel brakes.
- b)** Insert the pin on the swivel lock into the groove beneath the wheel plate on the caster assembly.

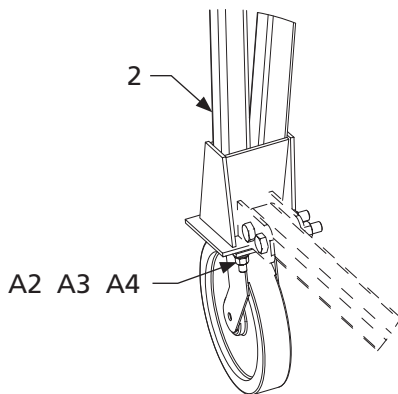
- c) Open the pin on the swivel lock by pulling and spinning the ring to fit into the groove at the end of the swivel lock.
- d) Using two 3/4-inch bolts, washers, and nuts, bolt the swivel lock to the wheel plate.
- e) Using a 3/4-inch wrench and 3/4-inch socket and ratchet, tighten the swivel lock bolts per the chart located on the lower right corner of the Fixed-Height Rolling A-Frame Assembly Drawing.
- f) Repeat steps **b** through **e** to install the remaining swivel locks.

5. Attaching the Caster Assemblies to the Leg Assemblies

Refer to Fixed-Height Rolling A-Frame Assembly Drawing for Steps A Through D

- a) Lay each right leg assembly (2 in the *Building Materials Description*) and left leg assembly (3 in the *Building Materials Description*) on the ground.
- b) Per **Detail "A,"** position the caster assemblies under the legs' base plates (where the inner and outer legs of each leg assembly join together). Insert the welded, threaded studs on the bottom of the leg assembly into the holes in the caster assemblies' top plates.
- c) Per **Detail "A,"** place a 1/2-inch lock washer (A3) and then a 1/2-inch hex nut (A2) onto each stud. Torque all 1/2-inch wheel stud nuts (A2) to 23 foot-pounds.

Detail "A" (Casters and Lower Brace Tubes to Legs)



NOTE: Torque all 1/2-inch wheel stud nuts (A2) to 23 foot-pounds only.

NOTE: A4, A3, and A2 attach to a stud welded to the bottom of the leg assembly.

| Item | Description |
|------|----------------------|
| 2 | Right Leg Assembly |
| A2 | 1/2-Inch Hex Nut |
| A3 | 1/2-Inch Lock Washer |
| A4 | 1/2-Inch Flat Washer |

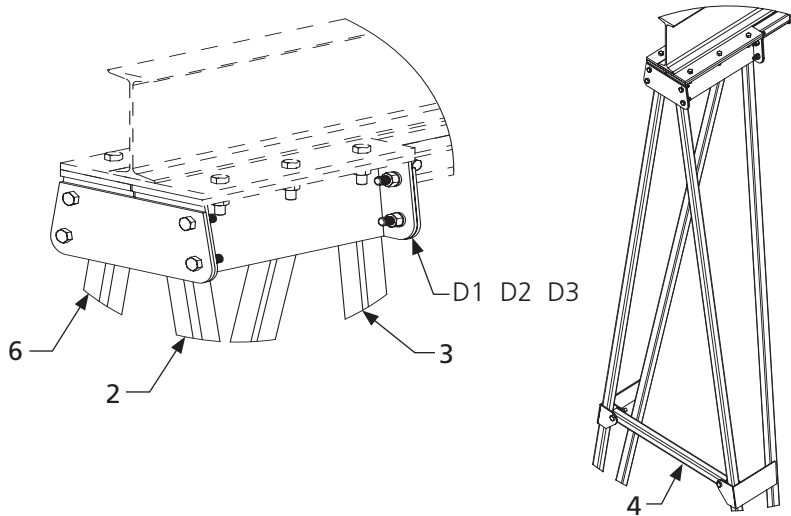
- d) After the wheel brakes, swivel locks, and caster assemblies have been attached to the system, test the wheel brakes and swivel locks to ensure that they function properly.

6. Attaching the Leg Connection Plates

Refer to Fixed-Height Rolling A-Frame Assembly Drawing for Steps A Through E

- a) After the caster assemblies have been attached, lay one right leg assembly (2 in *Building Materials Description*) and one left leg assembly (3 in *Building Materials Description*) on the ground so that the long side of their lugs point up (for the upper brace tube [4 in *Building Materials Description*]). The outer legs should be on the ground and the inner legs should be off the ground.
- b) Per **Detail "D,"** position the wide ends of both leg assemblies (their "tops") so they are next to one another. Lift the tops of both leg assemblies together and place a six-inch by six-inch (or larger) wood block under their outer legs to make the upcoming bolt insertion easier.
- c) Per **Detail "D,"** align one leg connection plate (6) to the four holes on the outer-facing plates of the tops of the leg assemblies. Attach the leg connection plate (6) with four sets of 5/8-inch bolts (D3), lock washers (D1), and hex nuts (D2). **Securely tighten** all nuts. Take a second leg connection plate (6) and attach it the same way to the inside-facing plates of the tops of the leg assemblies.

Detail "D" (Beam Weldment and Leg Connection Plates to Legs)



| Item | Description |
|------|----------------------------------|
| 2 | Right Leg Assembly |
| 3 | Left Leg Assembly |
| 4 | Upper Brace Tube |
| 6 | Leg Connection Plate |
| D1 | 5/8-inch Lock Washer |
| D2 | 5/8-inch Hex Nut |
| D3 | 5/8-inch by 2-inch Hex Head Bolt |

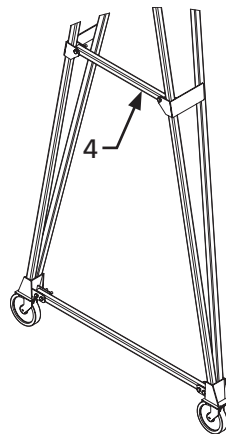
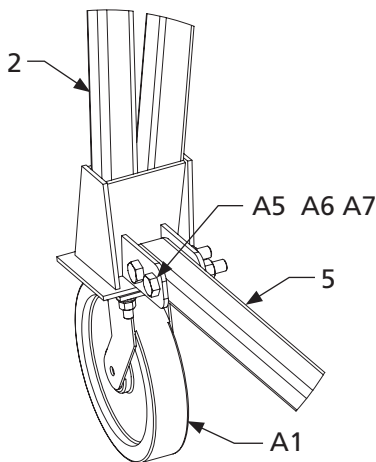
- d) Repeat steps **a** through **c** for the second set of right (2 in *Building Materials Description*) and left (3 in the *Building Materials Description*) leg assemblies.
- e) All four leg connection plates (6) for the tops of the leg assemblies should now be attached, giving you two sets of partially assembled legs.

7. Attaching the Lower Brace Tubes

Refer to Fixed-Height Rolling A-Frame Assembly Drawing for Steps A Through C

- a) To make inserting bolts easier during the following steps, place six-inch by six-inch (or larger) wood blocks under each outer leg between the tops of the legs, the lug for the upper brace tube (4 in *Building Materials Description*), and the casters (A1 in *Building Materials Description*).
- b) Per **Detail "A,"** attach the lower brace tube (5) to the lower brace tube lug at the base of each leg assembly (2 and 3) using two 5/8-inch bolts (A7), lock washers (A5), and hex nuts (A6) for each end of the lower brace tube.
- c) **Securely tighten** nuts.

Detail "A" (Casters and Lower Brace Tubes to Legs)



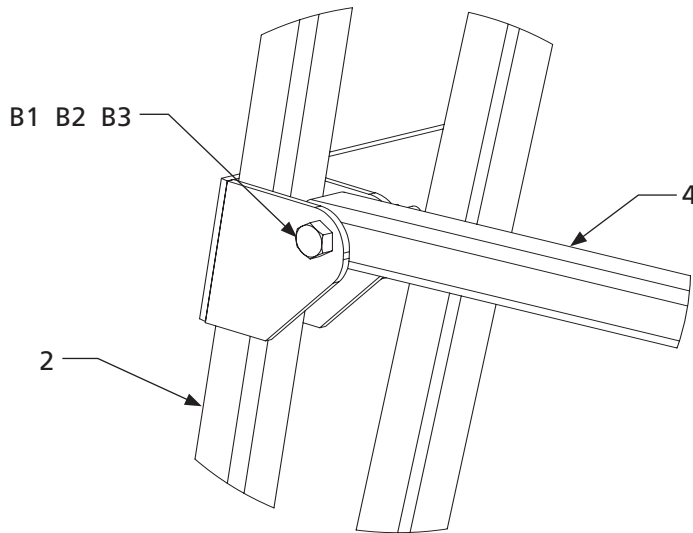
| Item | Description |
|------|----------------------------------|
| 2 | Right Leg Assembly |
| 4 | Upper Brace Tube |
| 5 | Lower Brace Tube |
| A1 | Caster |
| A5 | 5/8-Inch Lock Washer |
| A6 | 5/8-Inch Hex Nut |
| A7 | 5/8-Inch by 4-Inch Hex Head Bolt |

8. Attaching the Upper Brace Tubes

Refer to Fixed-Height Rolling A-Frame Assembly Drawing for Steps A Through C

- Place the upper brace tube (4 in *Building Materials Description*) between the upper brace tube lug located at the middle of the right and left leg assemblies (2 and 3 in *Building Materials Description*).
- Per **Detail "B,"** bolt the brace tube (4) to the assemblies' upper brace tube lug using the 5/8-inch bolt (B3), lock washer (B1), and hex nut (B2) for both right leg (2) assemblies. **Securely tighten** nuts.

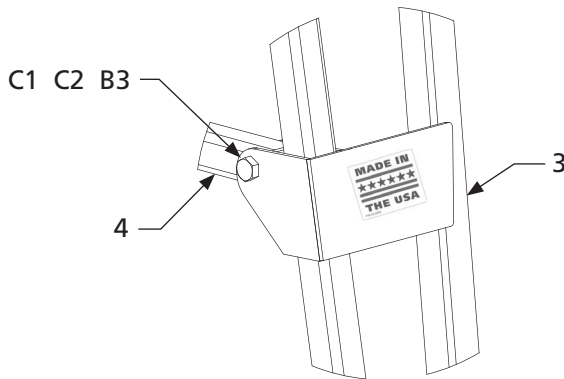
Detail "B" (Upper Brace Tubes to Legs)



| Item | Description |
|------|----------------------------------|
| 2 | Right Leg Assembly |
| 4 | Upper Brace Tube |
| B1 | 5/8-Inch Lock Washer |
| B2 | 5/8-Inch Hex Nut |
| B3 | 5/8-Inch by 4-Inch Hex Head Bolt |

- Per **Detail "C,"** bolt the brace tube (4) to the assemblies' inner upper brace tube lug using the 5/8-inch bolt (B3), lock washer (C1), and hex nut (C2) for both left leg (3) assemblies. **Securely tighten** nuts.

Detail "C" (Upper Brace Tubes to Legs)



| Item | Description |
|------|----------------------------------|
| 3 | Left Leg Assembly |
| 4 | Upper Brace Tube |
| B3 | 5/8-Inch by 4-Inch Hex Head Bolt |
| C1 | 5/8-Inch Lock Washer |
| C2 | 5/8-Inch Hex Nut |

9. Attaching the Leg Assemblies to the Beam Weldment

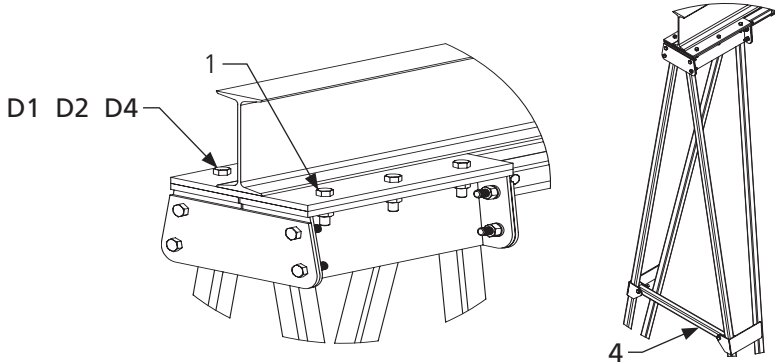
Refer to Fixed-Height Rolling A-Frame Assembly Drawing for Steps A Through H

- Evenly balance the beam weldment (1 in *Building Materials Description*) on top of two six-inch by six-inch blocks so that the labels are legible and not upside down.
- Feed a lifting strap under the beam weldment so the beam weldment's weight will be evenly distributed during lifting.
- Attach the other end of the lifting strap to a crane or forklift and use the crane/forklift to hoist the beam weldment (1 in *Building Materials Description*) into the air.

NOTE: Ensure that the beam weldment is high enough in the air to allow both leg assemblies to fit under the beam weldment during the connection process.

- d) Position the assembled legs so that when the legs are lifted into place, the upper brace tube (4 in *Building Materials Description*) is on the outside of the leg assembly.
- e) Using a man lift, have another worker raise himself to the same height as the beam weldment.
- f) Per **Detail "D,"** use a second crane or forklift to lift the top portion of one leg assembly underneath the beam weldment. Use drift pins to align the six holes in the beam weldment's (1) base plate with the six holes in the top plate of the leg assembly.

Detail "D" (Beam Weldment and Leg Connection Plates to Legs)



| Item | Description |
|------|--------------------------------------|
| 1 | Beam Weldment |
| 4 | Upper Brace Tube |
| D1 | 5/8-Inch Lock Washer |
| D2 | 5/8-Inch Hex Nut |
| D4 | 5/8-Inch by 2-1/2-Inch Hex Head Bolt |

- g) Attach the plates together using the 2-1/2-inch long, 5/8-inch diameter bolts (D4), lock washers (D1), and hex nuts (D2). **Securely tighten** nuts.
- h) Repeat steps a through g to assemble the other end of the beam weldment (1 in *Building Materials Description*) and remaining leg assembly. **Securely tighten** nuts.

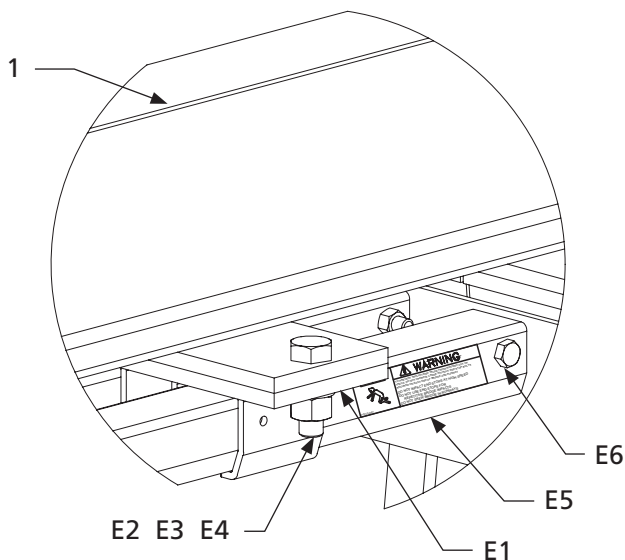
10. Attaching the Anchor Track™

Refer to **Fixed-Height Rolling A-Frame Assembly Drawing for Step A**

- a) Per **Detail "E,"** attach the track (E5) to the beam weldment (1) using the runway hangers (E1) and the 3/4-inch diameter, 2-1/2-inch long bolts (E2), lock washers (E4), and hex nuts (E3). **Securely tighten** the nuts until all are installed. After all of the fasteners are installed, torque the hex nuts (E3) per chart below.

NOTE: 10 feet is the maximum support spacing for each one-person capacity track (eight feet for non-passable two-person capacity on one track). 18-inch overhang is standard. Refer to your Final Fabrication Drawing for correct overhang lengths and support spacing for your specific system.

Detail "E" (Track to Beam Weldment)



| Item | Description |
|------|--------------------------------------|
| 1 | Beam Weldment |
| E1 | Runway Hangers |
| E2 | 3/4-Inch by 2-1/2-Inch Hex Head Bolt |
| E3 | 3/4-Inch Hex Nut |
| E4 | 3/4-Inch Lock Washer |
| E5 | Runway (Anchor Track) |
| E6 | End Stop |

| Bolt Diameter | Minimum Hex Locknut Torque |
|---------------|----------------------------|
| 3/4 Inch | 151 Foot-Pounds |

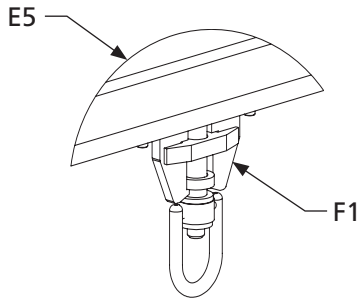
11. Attaching the Anchor Trolley™

Refer to Fixed-Height Rolling A-Frame Assembly Drawing for Steps A Through C

NOTE: The Fixed-Height Rolling A-Frame is available as a single or multiple track system. The following instructions are written for a single-track system; simply repeat each step for multiple-track systems.

- a) Per **Detail "E,"** unbolt an end stop (E6) from the track (E5).
- b) Per **Detail "F,"** insert the Swiveling Connector Anchor Trolley (F1) into the track (E5).

Detail "F" (Trolley to Track)



| Item | Description |
|------|------------------------|
| E5 | Runway (Anchor Track™) |
| F1 | Anchor Trolley |

- c) Per **Detail "E,"** reinstall the track's end stop (E6). **Securely tighten** the locknut.

12. Torquing the System Fasteners

- a) Confirm that all bolts are fully seated, all washers are in place, and all nuts are **securely tightened**.
- b) Use the man-lift to allow a worker to access all of the different nuts. Torque all of the nuts on the system to the specifications shown below:

| Bolt Diameter | Hex Nut Torque | Minimum Hex Locknut Torque |
|---------------------------|-----------------|----------------------------|
| 1/2-Inch Wheel Studs Only | 23 Foot-Pounds | N/A |
| All Other 1/2-Inch Bolts | 78 Foot-Pounds | 51 Foot-Pounds |
| 5/8 Inch | 154 Foot-Pounds | 93 Foot-Pounds |
| 3/4 Inch | 257 Foot-Pounds | 151 Foot-Pounds |
| 7/8 Inch | 341 Foot-Pounds | 224 Foot-Pounds |
| 1 Inch | 514 Foot-Pounds | 325 Foot-Pounds |

DISASSEMBLY

Warning: Disassembly must be performed by a skilled rigger. All parts must be secured to prevent falling during all stages of disassembly.

1. Before disassembling the Rigid Lifelines Fixed-Height Rolling A-Frame, ensure that each component is safely rigged and secure.
2. Read and understand each step before beginning the disassembly process.
3. To disassemble the system, follow the assembly instructions in reverse order.

Warning: Do not stand under the system during disassembly.

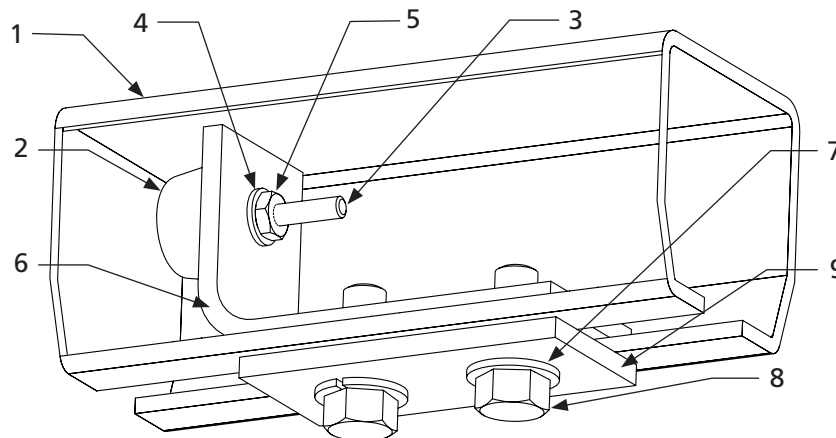
INTERMEDIATE BUMPER INSTALLATION (IF SUPPLIED)

NOTE: Follow the approval drawing, if provided, to prevent overloading of the track and system.

- Using a man or scissor lift, remove an end stop from the end of the track if end stop is present.
- Per **Figure 1**, slide the top plate (6) and attached components (2, 3, 4, and 5) into the track (1) and to the desired location in the track. Ensure that the rubber bumper (2) is facing the trolley.
- Per **Figure 1**, insert two bolts (8) through two split lock washers (7).
- Per **Figure 1**, align the holes in the bottom plate (9) with the holes in the top plate (6). Ensure that the bottom plate (9) is underneath the track (1).
- Per **Figure 1**, securely tighten the bolts (8) and attached split lock washers (7) through the aligned holes in the bottom plate (9) and top plate (6) so that the bolt heads are underneath the bottom plate (9). Ensure that the split lock washers (7) are between the bolt head and the bottom of the bottom plate (9).
- Using a torque wrench, torque 3/8-inch diameter bolts to 33 foot-pounds. Torque 1/2-inch diameter bolts to 78 foot-pounds. See the tables below.
- Reinsert the end stop that was removed in step 1.

Figure 1

NOTE: Intermediate bumpers should not be used as end stops.



500 Series Track (P/N: 1500IB)

| Item | Description |
|------|--------------------------------------|
| 1 | Track |
| 2 | Rubber Bumper |
| 3 | 10-32 NC by 1-1/4-Inch Machine Screw |
| 4 | #10 Lock Washer |
| 5 | 10-32 NC Nut |
| 6 | Top Plate |
| 7 | 3/8-Inch Split Lock Washer |
| 8 | 3/8-Inch by 1-Inch Hex Head Bolt |
| 9 | Bottom Plate |

NOTE: For part number 1500IB, item 8 requires a 9/16-inch wrench or socket.

600, 700, and 900 Series Track (P/N: 1700IB)

| Item | Description |
|------|--------------------------------------|
| 1 | Track |
| 2 | Rubber Bumper |
| 3 | 10-32 NC by 1-1/4-Inch Machine Screw |
| 4 | #10 Lock Washer |
| 5 | 10-32 NC Nut |
| 6 | Top Plate |
| 7 | 1/2-Inch Split Lock Washer |
| 8 | 1/2-Inch by 1-1/2-Inch Hex Head Bolt |
| 9 | Bottom Plate |

NOTE: For part number 1700IB, item 8 requires a 3/4-inch wrench or socket.

OPERATING INSTRUCTIONS

1. Make sure a written fall protection plan is in place.
2. **Confirm that the system's legs are plumb, and the system is being used on a firm, level surface. NEVER place system near a ledge.**
3. Position the Fixed-Height Rolling A-Frame system with its Anchor Track™(s) as close as possible to the center of your work area.
4. **NEVER exceed 10 degrees off-plumb (off-center) loading.**
5. All wheel locks must be engaged when system is in use.
6. **This system must be used with an ANSI-rated self-retracting lanyard (SRL),** per your training and the instructions that came with your equipment. If not already connected, attach your SRL to the system's Anchor Trolley™ connector using an approved offset-D locking carabiner. Don your full-body safety harness and then connect the SRL's snaphook to your harness's D-ring.
7. **NEVER** push or pull system with a forklift or other vehicle.

MAINTENANCE

CASTER ASSEMBLY AND WHEEL LOCK MAINTENANCE

1. Grease the caster assemblies' swiveling section and axles to ensure proper lubrication at least monthly with low melting point lithium grease, which can be purchased at any automotive store.
2. Ensure that the casters' wheel locks are making contact with the wheel material for maximum effectiveness.
3. For Caster Inspection Points, see the *Fixed-Height Rolling A-Frame Anchor Track™ System* checklist.

INSPECTION CHECKLISTS

1. Visually inspect the system before each use and fully inspect the system after a fall event and annually. Refer to the FIXED-HEIGHT ROLLING A-FRAME INSPECTION CHECKLISTS in the next section of this manual for checklists for *Fixed-Height Rolling A-Frame Anchor Track™ System* and *Annual Anchor Track™ System*.
2. **If the system fails ANY of the inspection points on any of the inspection checklists, immediately remove the system from service and call Rigid Lifelines® at 800-869-2080 for instructions.**
3. During the first month after a new installation, a weekly inspection of the system should be performed using the *Annual Anchor Track™ System Inspection Checklist*. It is important to note that every system application and use will be different, meaning some conditions of use will require more frequent inspection. Examples of such conditions include two or three shift operations or working with or near corrosive chemicals or elements.
4. Refer to the Anchor Trolley™ User Instruction Manual (Manual 103-0054), which comes packaged with the Anchor Trolley, for its trolley inspection checklists.
5. Download and print additional blank inspection checklists from the literature page at RigidLifelines.com.
6. Any component replacement, addition, or change to any portion of the system must be evaluated by a Qualified Person as defined by OSHA standards.

LABELING

The letters correspond to the letters on the Fixed-Height Rolling A-Frame Label Placement Drawing. All labeling must be legible and attached to the Fixed-Height Rolling A-Frame system. For replacement labels, contact Rigid Lifelines®.

RIGID LIFELINES LABEL PLACEMENT DISCLAIMER


If system is shipped unpainted or without properly secured labels, proper label placement is the sole responsibility of the end user. Follow the Label Placement Drawing shipped with this user manual to place labels correctly. Rigid Lifelines cannot be held liable for any damage or injury resulting from omitted or improper label placement.

“A”

SAFETY INSTRUCTIONS

READ BEFORE OPERATING ROLLING A-FRAME

1. Inspect Rolling A-Frame for damaged or missing parts.
2. Never exceed the rated capacity.
3. Do not use Rolling A-Frame on an incline.
4. Do not push or pull Rolling A-Frame with forklift or other vehicle.
5. Push the Rolling A-Frame legs by hand only.
6. Workers should only work directly under the trolley track beam. Do not pull sideways on fall protection system.
7. The maximum angle a lanyard can make off plumb is 10 degrees, or 18" off track centerline or end of beam, whichever is smaller.
8. Do not anchor legs to the floor.
9. Do not operate any Rolling A-Frame unless you have read and understand all the safety instructions.
10. Caster wheels must have brakes applied or chocked to prevent rolling during use.
11. Never use caster wheels near a ledge.



RIGID LIFELINES
Division of Spanco, Inc.

LABEL # 53-0324 RigidLifelines.com

P/N 53-0324


“B”

RIGID LIFELINES

(800) 869-2080 :: RigidLifelines.com

P/N 53-0206

“C”



P/N 53-0047

WARNING

TO PREVENT TROLLEY OR END TRUCK, IF SUPPLIED, FROM RUNNING OUT OF THE TRACK, DO NOT OPERATE SYSTEM WITHOUT END STOP BOLTS SECURED ON EACH END OF RUNWAY AND BRIDGE, IF SUPPLIED.

DO NOT IMPACT END STOPS AT HIGH SPEED

DO NOT USE END STOPS FOR REPETITIVE BRIDGE IMPACTS, IF BRIDGE IS SUPPLIED

DO NOT SKEW BRIDGE, IF SUPPLIED, IN RUNWAYS

P/N 53-0047

“E”

RIGID LIFELINES

PEOPLE & EQUIPMENT

PER TRACK. 900 LB. MAAF EA. PERSON

(800) 869-2080
RigidLifelines.com

P/N 53-0359


“G”

WARNING

You must read and understand the manual before you assemble, operate, or disassemble this equipment.

Failure to do so may result in serious injury or death.

To download a replacement manual, visit RigidLifelines.com or scan the QR code.



SCAN ME

P/N 53-0590

“D”

MADE IN

★★★★★

THE USA

P/N 53-0023

P/N 53-0023

“F”

RIGID LIFELINES

Division of Spanco, Inc.

Serial #: 123456-789

Model #: X12XXXX34.5678.90

MFG Date: 00/0000

Notes on Fixed-Height Rolling A-Frame Label Placement Drawing

- Label **53-0324 “A”** should be centered on the middle plate of the leg weldment on both sides. If the middle plate of the leg weldment is over eight feet, position label **53-0324 “A”** on vertical leg at six feet.
- Label **53-0206 “B”** should be centered on both sides of the beam weldment.
- Label **53-0047 “C”** should be placed on both ends of the track on both sides.
- Label **53-0023 “D”** should be placed to the right of label **“B”** on both sides.
- Label **“E”** should be centered on the track on both sides and is **P/N 53-0535** for one person systems, **53-0536** for two person systems, and **53-0359** for **three** to **eight** person systems, along with **53-0413** through **53-0418** respectively. Labels **P/N 53-0413** through **53-0418** are the capacity numbers three through eight for the Anchor Track Label and should be placed to the right of the line following “Rigid Lifelines.”
- Label **“F”** should be placed to the left of label **“B”** on both sides of the beam weldment and on the middle plate of the leg weldment on all four legs.
- Label **53-0590 “G”** should be placed on the vertical legs at eye level (approximately 62 inches from the ground).

FIXED-HEIGHT ROLLING A-FRAME ANCHOR TRACK™ SYSTEM INSPECTION CHECKLIST

Before Each Use

Inspector Name: _____

Date: _____

System Number: _____

Model: _____



Division of Spanco, Inc.

| INSPECTION POINTS | Inspection Result (✓) | |
|---|-----------------------|------|
| | PASS | FAIL |
| 1. Test the swiveling connector(s) on each trolley to verify that each trolley rotates and swivels freely. | | |
| 2. Verify that the trolley(s) can easily and smoothly roll the full length of the runway track(s). | | |
| 3. Check all system welds for cracks. | | |
| 4. Check system components for corrosion. | | |
| 5. Check system components for bent or damaged areas. | | |
| 6. Check support structure for stability. | | |
| Caster Inspection | | |
| 1. Inspect casters for visible signs of damage or excessive wear. | | |
| 2. Check each caster unit for potentially concealed damage. | | |
| 3. Visually check that all wheel studs are present and tight. | | |
| 4. Ensure that the caster's wheel axles are properly secured. | | |
| 5. Ensure that the casters' wheel locks and swivel locks perform properly. | | |
| 6. Ensure that the casters' wheel locks are making contact with the wheel material for maximum effectiveness. | | |

©2021. All Rights Reserved. All specifications and product designs subject to change without prior notice.

AFTER A FALL EVENT AND ANNUAL ANCHOR TRACK™ SYSTEM INSPECTION CHECKLIST

Inspector Name: _____

Date: _____

System Number: _____

Model: _____



| INSPECTION POINTS | Inspection Result (✓) | |
|---|-----------------------|------|
| | PASS | FAIL |
| 1. Check that the beam clamps are installed horizontally within + / - five degrees. | | |
| 2. Check that end stop bolts are present and have locknuts installed. | | |
| 3. Using a torque wrench, check that all bolts are present and torqued to values shown on Assembly Drawing. | | |
| 4. Check that splices, if supplied, are centered on track joints. | | |
| 5. Verify that capacity labels are present, attached, and legible. See Label Placement Drawing. | | |
| 6. Verify that the number of trolleys matches the value on the capacity label. | | |
| 7. Verify that the fall arrest system is not being used for material handling. | | |
| 8. Check the track for levelness within + / - 1/4 inches per 20 feet of track. | | |
| 9. Check the track flanges. Track flanges cannot be bent downward more than five degrees. | | |
| 10. Check the track thickness. Track thickness cannot be worn more than 10 percent. | | |
| 11. Check all system welds for cracks. | | |
| 12. Check system components for corrosion and bent or damaged areas. | | |
| 13. Check that all wheel studs, if supplied, are torqued to value shown on Assembly Drawing. Note that these 1/2-inch wheel studs have a different torque value than the system's other 1/2-inch bolts. | | |
| 14. Verify trolley can traverse entire length of track without snags. | | |
| 15. Inspect the trolley following the <i>After a Fall Event and Annual Inspection Checklist</i> in the Rigid Lifelines Anchor Trolley™ User Instruction Manual (103-0054). | | |
| 16. Test the operation of the trolley's swiveling connector and verify that it can rotate freely. | | |
| 17. Test the operation of the trolley and verify that the wheels rotate freely. | | |
| 18. Check system components for loose components. | | |
| 19. Check system components for loose or missing fasteners. | | |
| 20. Check system support structure for stability. | | |
| 21. Verify that hanger assemblies are installed properly and fasteners are torqued to proper values. | | |
| 22. Check that the support arms pivot bolts, if supplied, are properly installed and tightened. | | |
| 23. Check system for unauthorized modifications. Only Rigid Lifelines can authorize modifications. Remove system from service if it is modified in any way. | | |

©2021. All Rights Reserved. All specifications and product designs subject to change without prior notice.

PRODUCT WARRANTY COVERAGE

Rigid Lifelines warrants its products to be free from defects in material and workmanship as follows:

- Engineered Track Equipment, Wearable End Truck Wheels, and Anchor Trolley™ Wheels and Teeth: Ten Years
- Motorized Products and Drive Components and Paint and Finishes for Non-Aluminum Components: Two Years
- Soft Goods, Devices, Connectors, and Accessories: One Year

Ten-Year Warranty Coverage:

- Defects in equipment material and workmanship of manual track systems and equipment
- Only applies to the wearable wheels on end trucks and wearable Anchor Trolley wheels and teeth

Rigid Lifelines warrants its manual Anchor Track™ systems and equipment to be free from defects in material and workmanship for a period of ten (10) years or 20,000 hours, commencing on the date of shipment to the first retail purchaser. This warranty extends only to parts that are not subject to normal wear and tear from use (nonwearable), with the exception that it does apply to the wearable wheels supplied on end trucks and wearable Anchor Trolley wheels and teeth.

Two-Year Warranty Coverage:

- Defects in equipment material and workmanship of motorized systems and equipment
- Paint coatings and finishes for non-aluminum components

Rigid Lifelines warrants motorized equipment to be free from defects in material and workmanship for a period of two (2) years or 4,000 hours, commencing on the date of shipment to the first retail purchaser. Rigid Lifelines warrants its paint and finishes for a period of two (2) years. Warranty claims related to coatings must be accompanied by documentation of the product's application and environmental conditions from time of delivery to time of claim.

One-Year Warranty Coverage:

- Defects in soft goods, devices, connectors, and accessories

Rigid Lifelines warrants fall protection soft goods, devices, connectors, and accessories to be free from defects in material and workmanship for a period of one (1) year, commencing on the date of shipment to the first retail purchaser.

WARRANTY TERMS & CONDITIONS

All warranty claims must be approved by Rigid Lifelines before any work is performed. Rigid Lifelines's obligation under this warranty is limited to the replacement or repair of Rigid Lifelines products at the factory or separate location approved by Rigid Lifelines. **Other than the above mentioned warranty, Rigid Lifelines will not honor any other warranties—whether expressed, implied, or statutory—and disclaims any warranties of merchantability or fitness for a particular purpose.** Rigid Lifelines has the right to reject any warranty claim due to harsh and/or inappropriate environmental conditions.

Rigid Lifelines Is Not Liable for:

- Indirect, incidental, or consequential damages including lost profits, operating costs, loss of production, or travel expenses
- Components or accessories not manufactured by Rigid Lifelines (with the exception of soft goods components and accessories sold and warranted by Rigid Lifelines. For such components and accessories, the warranty shall be determined by the terms and conditions of any warranty provided by the manufacturer of such components and accessories.)
- Defective equipment or system failure caused by misuse, negligence, and improper installation or maintenance
- Equipment that has been used in excess of its rated capacity or beyond its service factors
- Rework and modification of any equipment that has been altered without Rigid Lifelines's written authorization
- Freight charges and damage incurred by freight carriers
- Any loss, injury, or damage to persons or property resulting from failure or defective operation of material or equipment
- This warranty is void for any product that is designed to deform or absorb energy during a fall event and needs to be replaced after a fall event has occurred

Reimbursement Disclaimer:

- Written notice of any claimed system defect must be given to Rigid Lifelines within ninety (90) days of shipment.
- All requests for reimbursement must be accompanied by proper documentation.
- Reimbursement is provided in the form of a credit unless otherwise approved by Rigid Lifelines management.
- Reimbursement for labor will be provided at a maximum rate of \$75 per hour.
- All reimbursement is subject to approval by Rigid Lifelines management.

ABOUT RIGID LIFELINES®

OUR MISSION:

Rigid Lifelines is driven by passion for providing our customers with quality, user-friendly solutions to keep workers safer and more productive at elevation.

OUR COMMITMENT

Rigid Lifelines professionals are dedicated to designing and manufacturing a variety of fall protection systems that meet or exceed OSHA requirements and ANSI Z359 code. Our team of engineers and safety professionals have extensive experience in the fall protection industry to manufacture fall protection systems that utilize the most advanced technology and designs.

Rigid Lifelines production facilities are certified under the ISO 9001:2015 Quality Management System to provide superior quality products. And every welder at Rigid Lifelines is certified to handle steel (D1.1) and aluminum (D1.2) in accordance with the rigorous requirements and lab testing established by the American Welders Society (AWS).

Rigid Lifelines engineers are involved with ANSI Z359 Technical Review Committee and the ANSI Z359.19 Rigid Horizontal Rail Standard. We also participate with the Safety & Health Technology Committee of the Association of Iron & Steel Technology. Our involvement allows us to keep a constant pulse on the trends in both industry practice and government regulation.

OUR PRODUCTION:

All of our systems are designed and manufactured in the United States of America. We have production facilities in Las Vegas, Nevada, and at our headquarters in Morgantown, Pennsylvania.

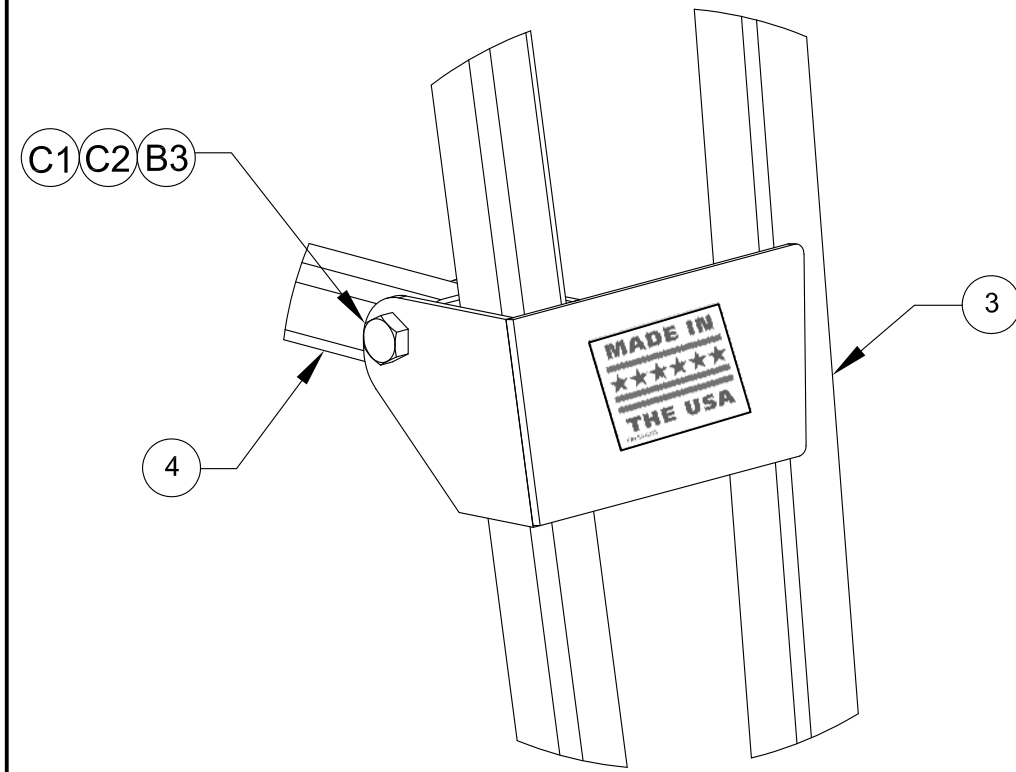
RIGID LIFELINES®

Division of Spanco, Inc.

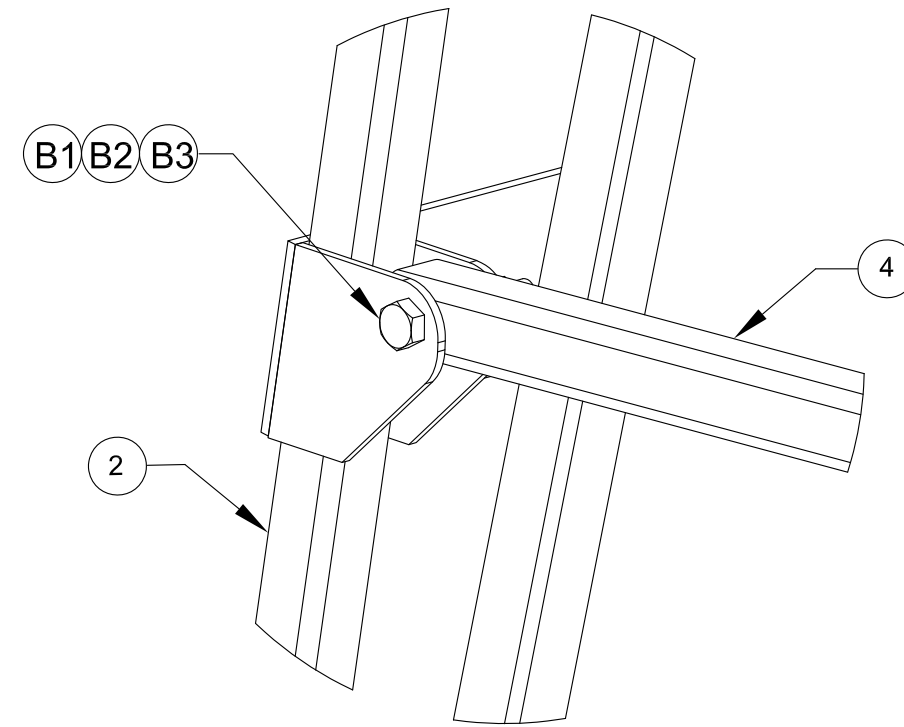
Morgantown, PA | Las Vegas, NV
Toll Free: (800) 869-2080 | Local: (610) 286-7200 | Fax: (610) 286-0085
RigidLifelines.com | info@RigidLifelines.com



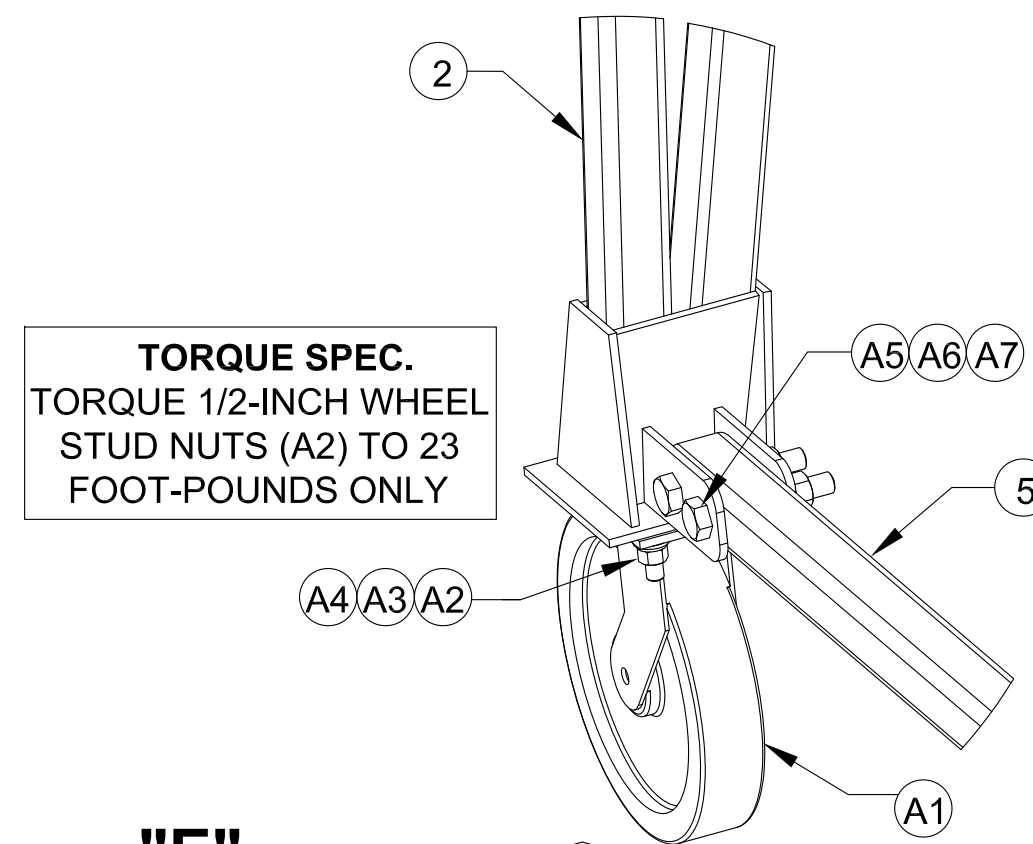
DETAIL "C" (Upper Brace Tubes to Legs)



DETAIL "B" (Upper Brace Tubes to Legs)

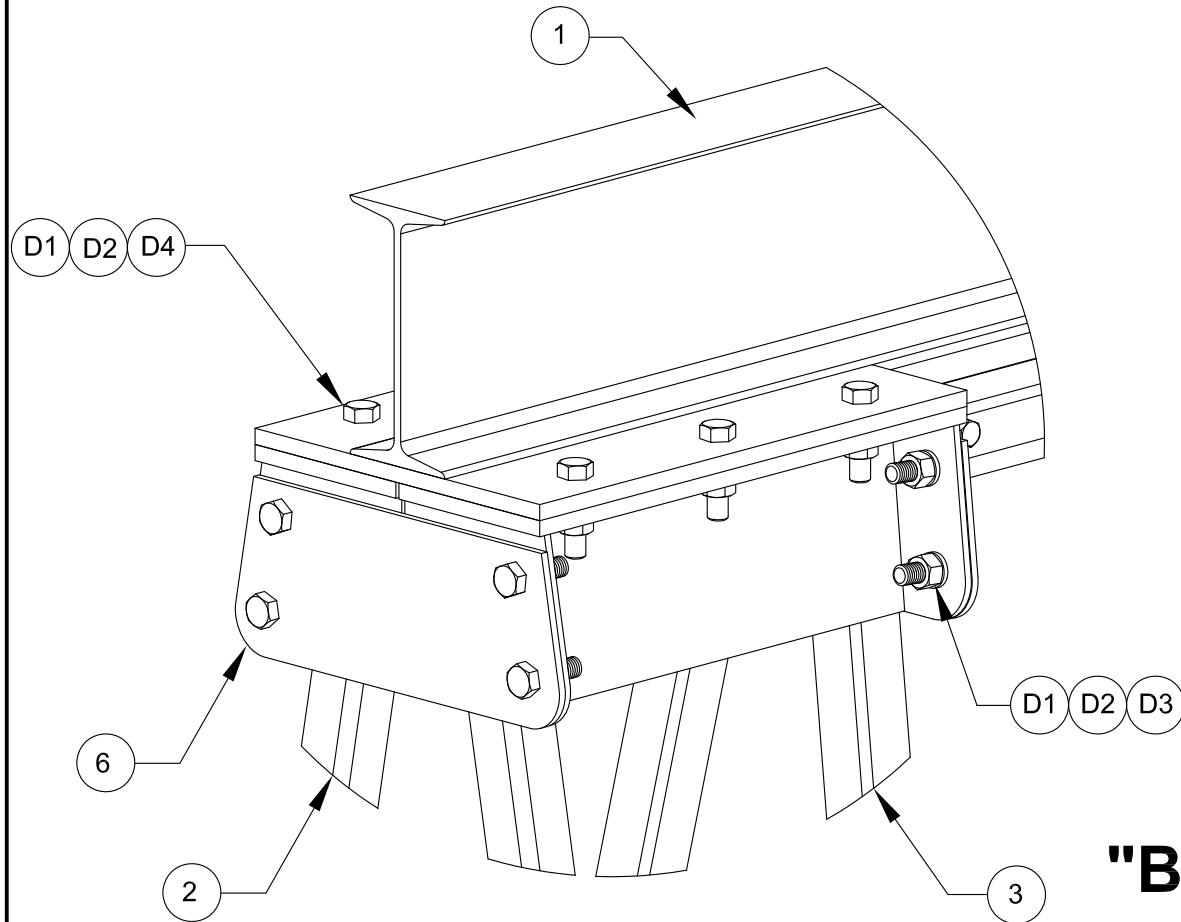


DETAIL "A" (Casters and Lower Brace Tubes to Legs)

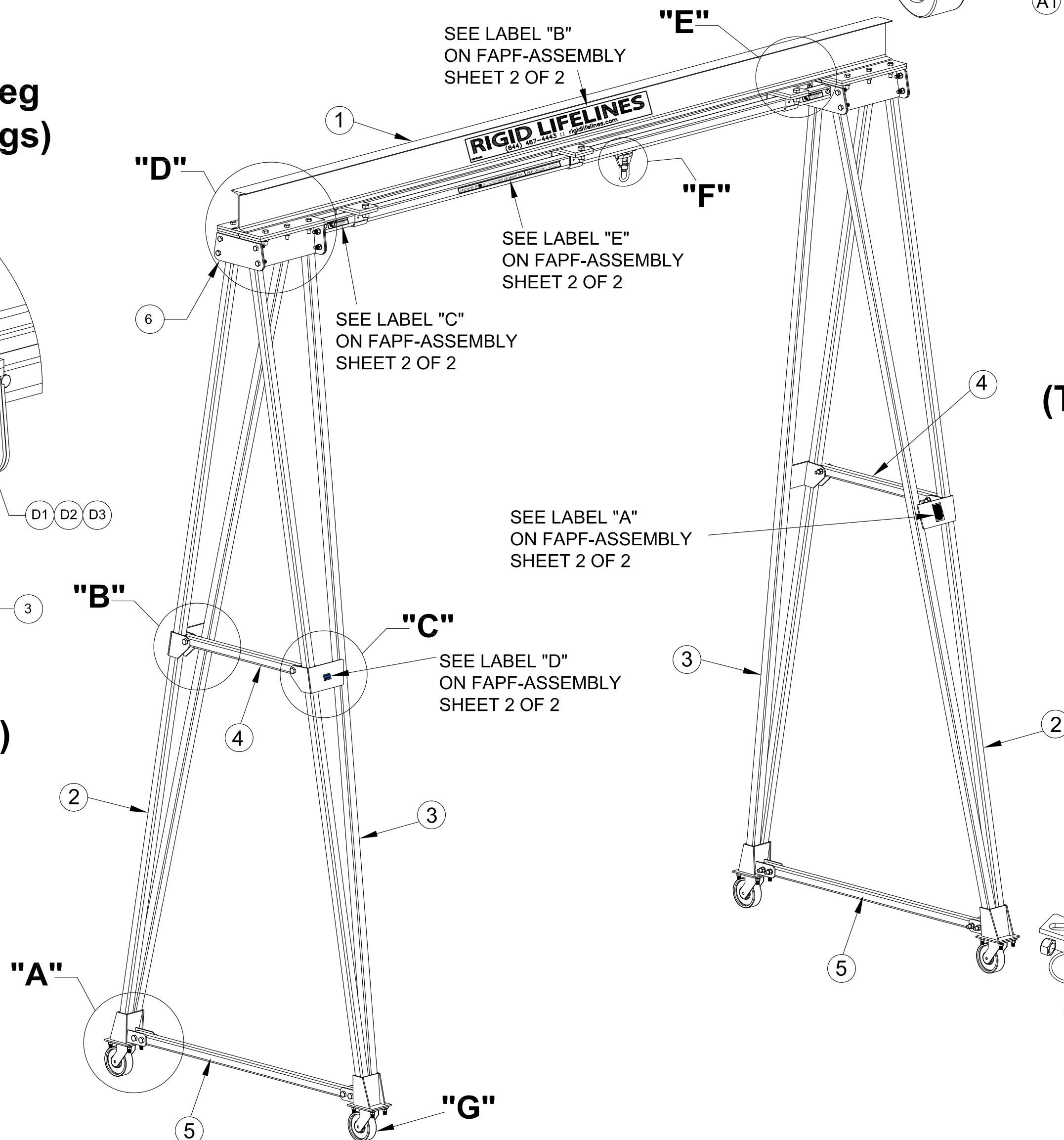
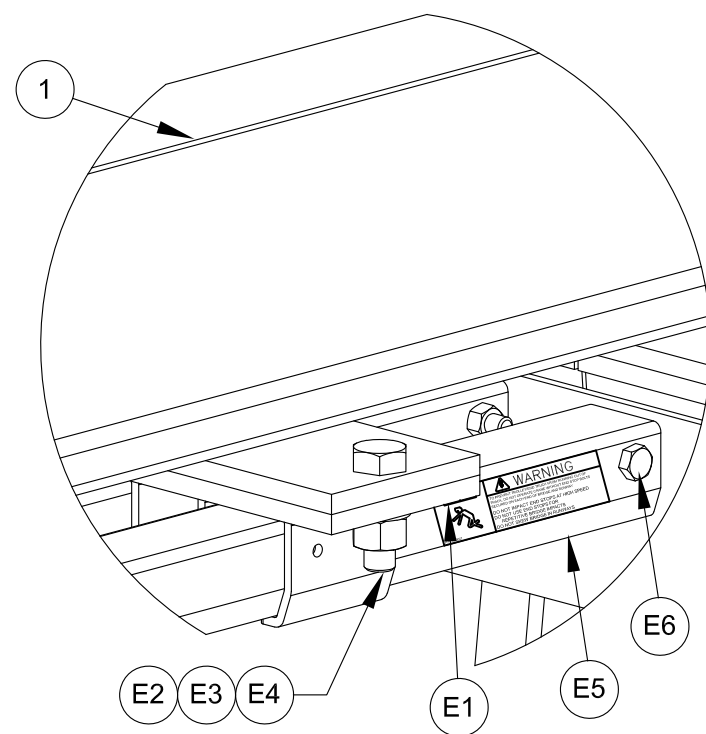


TORQUE SPEC.
TORQUE 1/2-INCH WHEEL STUD NUTS (A2) TO 23 FOOT-POUNDS ONLY

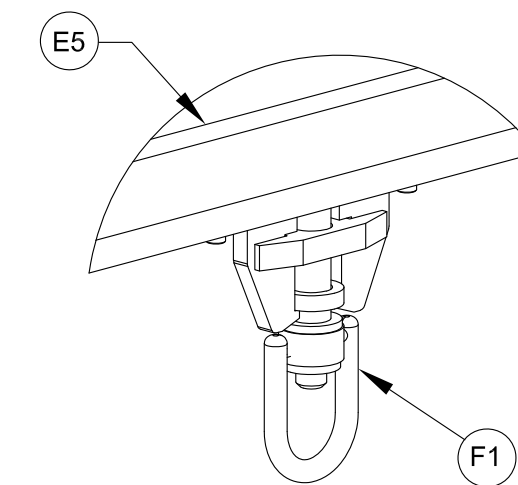
DETAIL "D" (Beam Weldment and Leg Connection Plates to Legs)



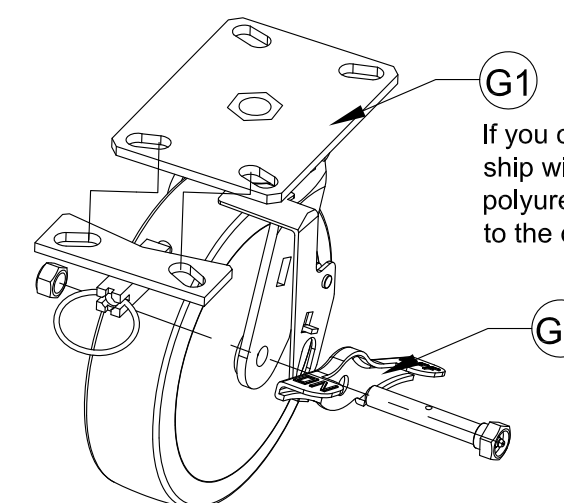
DETAIL "E" (Track to Beam Weldment)



DETAIL "F" (Trolley to Track)



DETAIL "G" (Wheel Brake Assembly)



If you ordered pneumatic or dual-pneumatic tires, the tires ship with their wheel brakes already attached. If you ordered polyurethane casters, the wheel brakes need to be attached to the casters. See page 7 of the user manual.

| ITEM | QTY. | PART NO. | BUILDING MATERIALS DESCRIPTION |
|------|------|------------------------|---|
| 1 | 1 | FAPFBWXXX-XX.XX-XX | FAPF BEAM WELDMENT, XX" x XX" PLATE, XX' SPAN, SX |
| 2 | 2 | PFRLX-XXXX | RT LEG X TON XX' SPAN XX' HUB |
| 3 | 2 | PFLX-XXXX | LT LEG X TON XX' SPAN XX' HUB |
| 4 | 2 | PFUBTXX-X-XX.XX-.625 | UPPER BRACE TUBE X x X x X/X x X'-X/X" 5/8B |
| 5 | 2 | PFLBTTX-X-X.XX-.625 | LOWER BRACE TUBE X x X x X/X x X'-X/X" 5/8B |
| 6 | 4 | PFLCPXX,XXXX,XX-X-.625 | LEG CONNECTION PLATE X/X" x X'-X/X" x X X/X" 5/8B |
| -A- | | -A- | -A- -A- |
| A1 | 4 | 32-XXXX | CASTER |
| A2 | 16 | 11-0030 | NUT, HEX 1/2" -13NC |
| A3 | 16 | 14-0003 | 1/2" LOCK WASHER |
| A4 | 16 | 15-0003 | FLAT WASHER, 1/2" |
| A5 | 8 | 14-0004 | 5/8" LOCK WASHER |
| A6 | 8 | 11-0040 | 5/8"-11UNC HEX NUT |
| A7 | 8 | 10-0305 | HEX HEAD BOLT, 5/8-11 NC X 4" LONG |
| -B- | | -B- | -B- -B- |
| B1 | 8 | 14-0004 | 5/8" LOCK WASHER |
| B2 | 8 | 11-0040 | 5/8"-11UNC HEX NUT |
| B3 | 8 | 10-0305 | HEX HEAD BOLT, 5/8-11 NC X 4" LONG |
| -C- | | -C- | -C- -C- |
| C1 | 8 | 14-0004 | 5/8" LOCK WASHER |
| C2 | 8 | 11-0040 | 5/8"-11UNC HEX NUT |
| C3 | 8 | 10-0305 | HEX HEAD BOLT, 5/8-11 NC X 4" LONG |
| -D- | | -D- | -D- -D- |
| D1 | 28 | 14-0004 | 5/8" LOCK WASHER |
| D2 | 28 | 11-0040 | 5/8"-11UNC HEX NUT |
| D3 | 16 | 10-0301 | HEX HEAD BOLT, 5/8-11 NC X 2" LONG |
| D4 | 12 | 10-0302 | HEX HEAD BOLT, 5/8-11 NC X 2 1/2" LONG |
| -E- | | -E- (PER HANGER) | (PER HANGER) -E- |
| E1 | | HANGER | RUNWAY TRACK HANGER WELDMENT |
| E2 | 2 | 10-0402 (PER HANGER) | HEX HEAD BOLT 3/4"-10NC X 2 1/2" |
| E3 | 2 | 11-0060 (PER HANGER) | NUT, HEX 3/4" -10 NC |
| E4 | 2 | 14-0005 (PER HANGER) | 3/4" LOCK WASHER |
| E5 | 2 | PH2500-XX.XX | 500 TRACK XX'-XX" WITH STD END STOP HOLES |
| E6 | 4 | 500ES | 500 SERIES END STOP |
| -F- | | -F- | -F- -F- |
| F1 | 2 | FAXXX-AT | FA,SWIVELING CONNECTOR ANCHOR TROLLEY |
| -G- | | -G- | -G- -G- |
| G1 | 1 | 32-00XX | CASTER W/SWIVEL LOCK |
| G2 | 1 | 32-05XX | BRAKE, FRICTION |

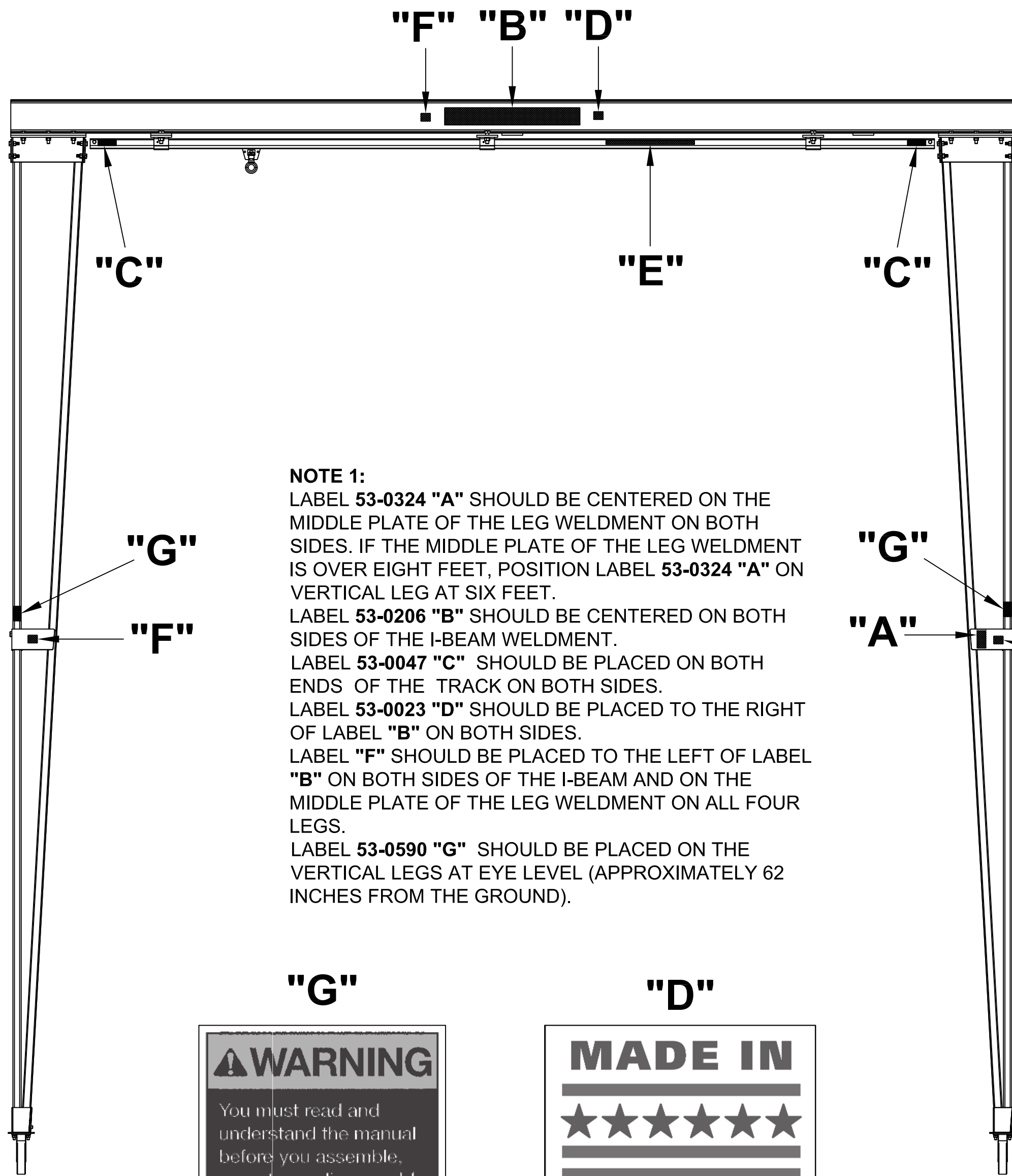
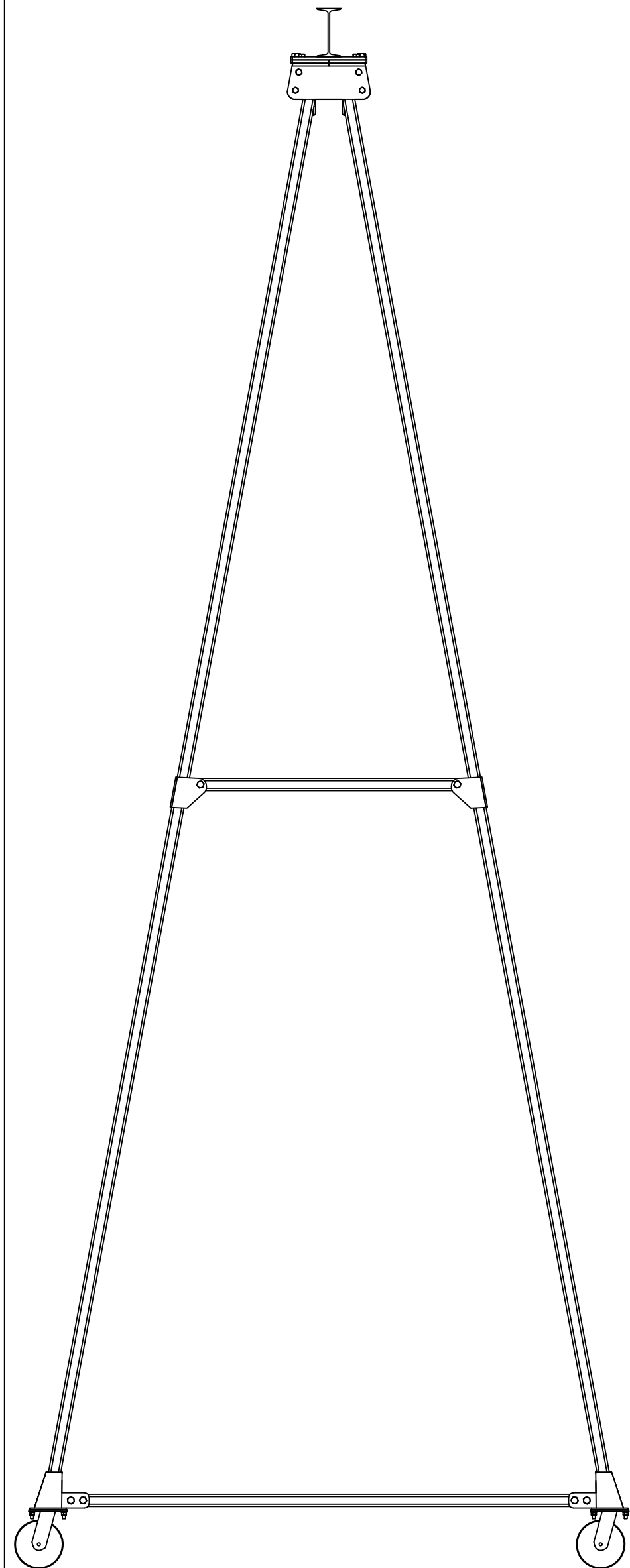
- COMPONENT ASSEMBLY SCHEDULE**
1. BOLT CASTERS TO LEGS
 2. ASSEMBLE RIGHT LEG
 3. ASSEMBLE LEFT LEG
 4. BOLT RIGHT LEG TO I-BEAM WELDMENT
 5. BOLT LEFT LEG TO I-BEAM WELDMENT
 6. FASTEN TRACK TO HANGERS
 7. ATTACH HANGERS TO I-BEAM WELDMENT
 8. FASTEN I-BEAM WELDMENT TO LEGS

| HEX LOCKNUT TORQUE SPECS. | HEX NUT TORQUE SPECS. |
|----------------------------|----------------------------|
| 1/2 Inch - 51 Foot-Pounds | 1/2 Inch - 78 Foot-Pounds |
| 5/8 Inch - 93 Foot-Pounds | 5/8 Inch - 154 Foot-Pounds |
| 3/4 Inch - 151 Foot-Pounds | 3/4 Inch - 257 Foot-Pounds |
| 7/8 Inch - 224 Foot-Pounds | 7/8 Inch - 341 Foot-Pounds |
| 1 Inch - 325 Foot-Pounds | 1 Inch - 514 Foot-Pounds |

TORQUE 1/2-INCH WHEEL STUD NUTS (A2) TO 23 FOOT-POUNDS ONLY

SHEET 1 OF 2

| REV. | DATE | NAME | REVISION DESCRIPTION |
|--|--------|--------------|----------------------|
| CAD GENERATED DRAWING. DO NOT MANUALLY UPDATE. DO NOT SCALE DRAWING. | | | |
| APPROVALS | | DATE | |
| DRAWN: | DAP | 11/22/10 | |
| CHECKED: | TJB | 11/22/10 | |
| APPV'D: | JRG | 3/05/21 | |
| PLOT DATE: | WT. | | |
| PROJECT NO.: | SCALE: | | |
| INSTRUCTIONS | NTS | | |
| SIZE DWG. NO. | | REV. | |
| C FAPF-ASSEMBLY | | - | |
| CAD FILE: FAPF-ASSEMBLY | | SHEET 1 OF 2 | |



NOTE 1:
 LABEL 53-0324 "A" SHOULD BE CENTERED ON THE MIDDLE PLATE OF THE LEG WELDMENT ON BOTH SIDES. IF THE MIDDLE PLATE OF THE LEG WELDMENT IS OVER EIGHT FEET, POSITION LABEL 53-0324 "A" ON VERTICAL LEG AT SIX FEET.
 LABEL 53-0206 "B" SHOULD BE CENTERED ON BOTH SIDES OF THE I-BEAM WELDMENT.
 LABEL 53-0047 "C" SHOULD BE PLACED ON BOTH ENDS OF THE TRACK ON BOTH SIDES.
 LABEL 53-0023 "D" SHOULD BE PLACED TO THE RIGHT OF LABEL "B" ON BOTH SIDES.
 LABEL "F" SHOULD BE PLACED TO THE LEFT OF LABEL "B" ON BOTH SIDES OF THE I-BEAM AND ON THE MIDDLE PLATE OF THE LEG WELDMENT ON ALL FOUR LEGS.
 LABEL 53-0590 "G" SHOULD BE PLACED ON THE VERTICAL LEGS AT EYE LEVEL (APPROXIMATELY 62 INCHES FROM THE GROUND).

NOTE 2:
 LABEL "E" SHOULD BE CENTERED ON THE TRACK ON BOTH SIDES AND IS P/N 53-0535 FOR ONE PERSON PER TRACK SYSTEMS, 53-0536 FOR TWO PEOPLE PER TRACK SYSTEMS, AND 53-0359 FOR THREE TO EIGHT PEOPLE PER TRACK SYSTEMS, ALONG WITH 53-0413 THROUGH 53-0418 RESPECTIVELY. LABELS P/N 53-0413 THROUGH 53-0418 ARE THE CAPACITY NUMBERS THREE THROUGH EIGHT FOR THE ANCHOR TRACK LABEL AND SHOULD BE PLACED TO THE RIGHT OF THE LINE FOLLOWING "RIGID LIFELINES."

"A"

SAFETY INSTRUCTIONS

READ BEFORE OPERATING ROLLING A-FRAME

1. Inspect Rolling A-Frame for damaged or missing parts.
2. Never exceed the rated capacity.
3. Do not use Rolling A-Frame on an incline.
4. Do not push or pull Rolling A-Frame with forklift or other vehicle.
5. Push the Rolling A-Frame legs by hand only.
6. Workers should only work directly under the trolley track beam. Do not pull sideways on fall protection system.
7. The maximum angle a lanyard can make off plumb is 10 degrees, or 18" off track centerline or end of beam, whichever is smaller.
8. Do not anchor legs to the floor.
9. Do not operate any Rolling A-Frame unless you have read and understand all the safety instructions.
10. Caster wheels must have brakes applied or chocked to prevent rolling during use.
11. Never use caster wheels near a ledge.



LABEL # 53-0324 RigidLifelines.com

SEE NOTE 1 FOR MORE INFO. P/N 53-0324

"B"

RIGID LIFELINES

(800) 869-2080 :: RigidLifelines.com

SEE NOTE 1 FOR MORE INFO. P/N 53-0206

"C"

WARNING

TO PREVENT TROLLEY OR END TRUCK, IF SUPPLIED, FROM RUNNING OUT OF THE TRACK. DO NOT OPERATE SYSTEM WITHOUT END STOP BOLTS SECURED ON EACH END OF RUNWAY AND BRIDGE, IF SUPPLIED.

DO NOT IMPACT END STOPS AT HIGH SPEED
 DO NOT USE END STOPS FOR REPETITIVE BRIDGE IMPACTS, IF BRIDGE IS SUPPLIED
 DO NOT SKEW BRIDGE, IF SUPPLIED, IN RUNWAYS

SEE NOTE 1 FOR MORE INFO. P/N 53-0047


"G"

WARNING

You must read and understand the manual before you assemble, operate, or disassemble this equipment.

Failure to do so may result in serious injury or death.

To download a replacement manual, visit RigidLifelines.com or scan the QR code.



SCAN ME

SEE NOTE 1 FOR MORE INFO. P/N 53-0590

"D"

MADE IN

★ ★ ★ ★ ★

THE USA

P/N 53-0023

SEE NOTE 1 FOR MORE INFO. P/N 53-0023

"E"

RIGID LIFELINES PEOPLE & EQUIPMENT **PER TRACK. 900 LB. MAAF EA. PERSON** (800) 869-2080 RigidLifelines.com

SEE NOTE 2 FOR MORE INFO. P/N 53-0359

"F"

RIGID LIFELINES
 Division of Spanco, Inc.


Serial #: 123456-789

Model #: X12XXXX34.5678.90

MFG Date: 00/0000

SEE NOTE 1 FOR MORE INFO.

SHEET 2 OF 2

| REV. | DATE | NAME | REVISION DESCRIPTION |
|--|--------|---------------|---|
| CAD GENERATED DRAWING. DO NOT MANUALLY UPDATE. DO NOT SCALE DRAWING. | | | |
| APPROVALS | | DATE | |
| DRAWN: | ZAR | 3/24/15 |  FALL ARREST FIXED-HEIGHT ROLLING A-FRAME LABEL PLACEMENT DRAWING |
| CHECKED: | | | |
| APPVD: | JRG | 3/05/21 | |
| PLOT DATE: | WT. | C | |
| PROJECT NO.: | SCALE: | DWG. NO. | REV. |
| CAD FILE: FAPF-ASSEMBLY | | FAPF-ASSEMBLY | - |
| | | | SHEET 2 OF 2 |