

Fixed-Height Rolling A-Frame

***Refer to selected specifications for dimensional details**

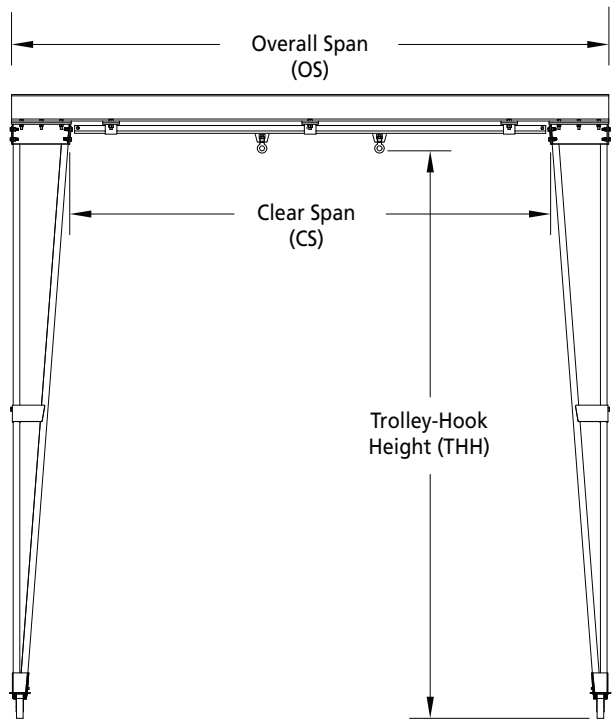
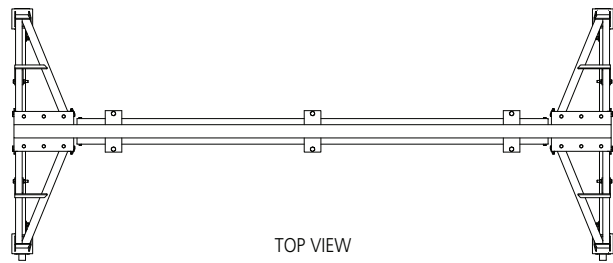
1) Worker Capacity (One or Two Person): _____

For more than two-worker access, please contact a Rigid Lifelines Technical Sales Support Specialist for system pricing.

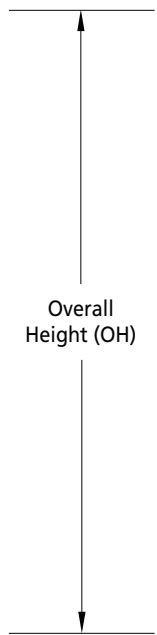
2) Passability for Workers? Yes No

3) Clear Span (CS): _____ feet

4) Trolley-Hook Height (THH): _____ feet



FRONT VIEW



SIDE VIEW

