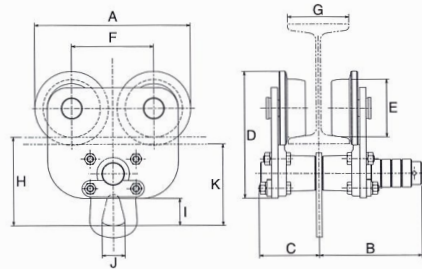


ELEPHANT PUSH & GEARED TYPE TROLLEYS

- Adjustable to fit various beam widths
- A solid carbon steel design
- The wheels of the trolley fit both I-Beams and H-Beams
- Trolley wheels are parkerized for corrosion resistance
- High quality closed bearings provide smooth traversing
- With Anti-Drop plates





The shape of the plain trolley for more than 8 ton is different from above drawing.

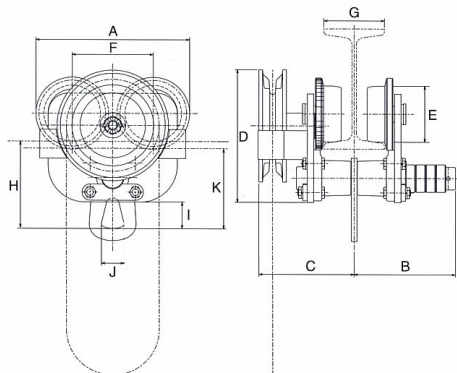
SPECIFICATIONS - ADJUSTABLE PLAIN TROLLEY

Model	Capacity (lbs)	Capacity (mt)	I-beam Width G (in)	Min. radius of I-beam (in)	Net Weight (lbs)
P-0.5	1102	0.5	2.3 - 5.11	35.4	18
P-1	2204	1	2.3 - 5.11	43.3	28
P-1.6	3527	1.6	2.7 - 6.1	47.2	47
P-2	4409	2	2.7 - 6.1	47.2	47
P-3.1	6944	3.15	3.5 - 6.2	66.93	60
P-5	11023	5	3.54 - 7.08	90.55	107
P-8	17636	8	4.92 - 7.48	118.11	216
P-10	22046	10	4.92 - 7.48	118.11	221
P-15	33069	15	5.90 - 7.48	236.22	650
P-20	44092	20	5.90 - 7.48	236.22	882

Special extender kits are available for large beam width applications

DIMENSIONS (IN.) - ADJUSTABLE PLAIN TROLLEY

Model	A	B	C	D	E	F	H	I	J	K
P-0.5	7.5	5	2.9	6.1	2.7	3.9	4.2	1.3	1.1	3.9
P-1	8.7	5	2.9	6.7	3.1	4.5	4.4	1.2	1.1	4
P-1.6	10.2	5.6	3.7	8.1	3.8	5.3	5.9	2	1.5	5.5
P-2	10.2	5.6	3.7	8.1	3.8	5.3	5.9	2.1	1.5	5.5
P-3.1	11.3	5.7	3.8	9.4	4.5	5.9	7.1	2.5	1.9	6.6
P-5	12.9	6.5	4.9	11.4	4.9	6.6	8.7	2.9	2.3	8.2
P-8	17	6.5	7	13	6.2	8.6	9.6	3.9	3.1	9.1
P-10	17	7	7	13	6.2	8.6	9.6	3.9	3.1	9.1
P-15	22.8	9	9	18.2	7.7	11.6	10.7	3.3	3.7	9.7
P-20	22.8	9	9	18.2	7.7	11.6	10.7	3.3	3.7	9.7



The shape of the geared trolley for more than 8 ton is different from above drawing.

SPECIFICATIONS - ADJUSTABLE GEARED TROLLEY

Model	Capacity (lbs)	Capacity (mt)	I-beam Width G (in)	Diameter x pitch of Hand Chain	Min. radius of I-beam (in)	Net Weight (lbs)
G-0.5	1102	0.5	2.3 - 5.11	5 x 22.5	35.4	27
G-1	2204	1	2.3 - 5.11	6 x 26.6	43.3	35
G-1.6	3527	1.6	2.7 - 6.1	6 x 26.6	47.2	54
G-2	4409	2	2.7 - 6.1	6 x 26.6	47.2	65
G-3.1	6944	3.15	3.5 - 6.2	6 x 26.6	66.93	74
G-5	11023	5	3.54 - 7.08	6 x 26.6	90.55	123
G-8	17636	8	4.92 - 7.48	5 x 23.6	118.11	236
G-10	22046	10	4.92 - 7.48	5 x 23.6	118.11	258
G-15	33069	15	5.90 - 7.48	5 x 23.6	236.22	695
G-20	44092	20	5.90 - 7.48	5 x 23.6	236.22	926
G-30	66138	30	7.48	5 x 23.6	472.44	1323

Special extender kits are available for large beam width applications

DIMENSIONS (IN.) - ADJUSTABLE GEARED TROLLEY

Model	A	B	C	D	E	F	H	I	J	K
G-0.5	7.5	5	4.6	6.4	2.7	3.9	4.2	1.3	1.1	3.9
G-1	8.7	5	4.8	7.3	3.1	4.5	4.4	1.2	1.1	4
G-1.6	10.2	5.6	5.3	9.1	3.8	5.3	5.9	2	1.5	5.5
G-2	10.2	5.6	5.3	9.1	3.8	5.3	5.9	2.1	1.5	5.5
G-3.1	11.3	5.7	5.3	9.9	4.5	5.9	7.1	2.5	1.9	6.6
G-5	12.9	6.5	6.5	11.8	4.9	6.6	8.7	2.9	2.3	8.2
G-8	17	7.4	11.7	12.1	6.2	8.6	9.6	3.9	3.1	9.1
G-10	17	7.4	11.8	12.1	6.2	8.6	9.6	3.9	3.1	9.1
G-15	22.8	9	12.8	17.4	7.7	11.6	10.7	3.3	3.7	9.7
G-20	22.8	9	12.9	17.4	7.7	11.6	10.7	3.3	3.7	9.7
G-30	36.8	12	17.4	22.7	9.6	23.6	23.1	7.2	5.9	22.1

*If being paired with a motorized hoist, please consult with Elephant before proceeding. The brackets and connector between the side plates will change, to accommodate stresses generated by motorized hoists.

