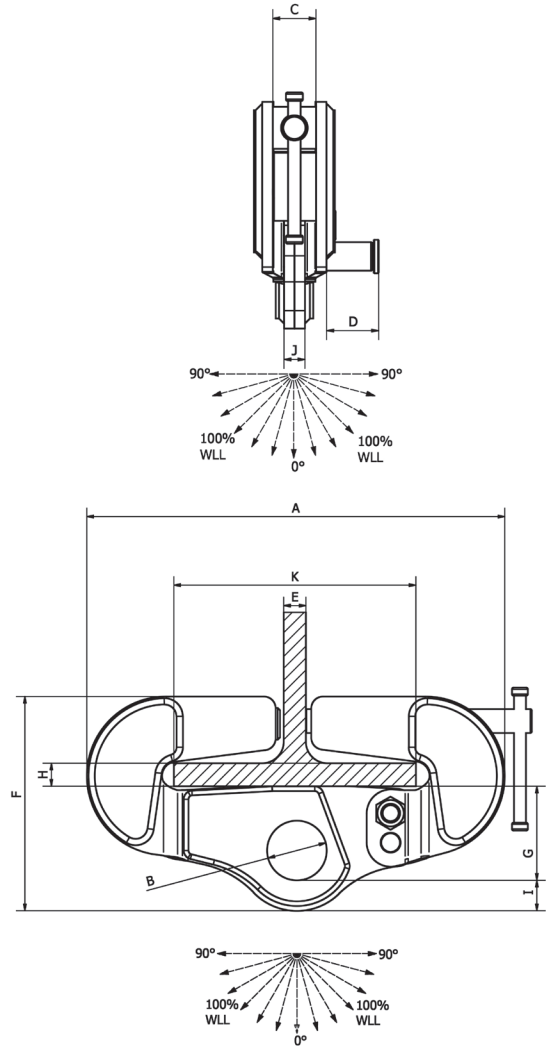




UNIVERSAL GRIPPA CLAMP



- Designed for vertical & side load applications at full rated capacity
- Developed for lifting, pulling, and as an anchor point
- The raised eye design allows for a full 90° side pull from both sides
- Low headroom concept
- Can be rated for personnel tie-off, upon request
- 4:1 safety factor
- Individually Load tested to 2x the rated load



SPECIFICATIONS & DIMENSIONS - UNIVERSAL GRIPPA CLAMP

MODEL	S.W.L. (t)	S.W.L. (Ton)	A	Ø B	C	D	E	F	G	H	I	J	K	WEIGHT (lbs)
UGC-2	2	2.2	14.2	2.0	2.0	2.0	1.3	8.2	3.6	1.0	0.9	0.6	4.9 to 8.0	22
UGC-3	3	3.3	15.4	2.7	2.0	2.0	1.3	9.0	3.9	1.0	1.1	0.8	4.9 to 8.0	31
UGC-5	5	5.5	20.7	3.0	2.0	2.0	1.3	10.6	4.7	1.0	1.5	1.0	4.9 to 12.00	62
UGC-10	10	11	20.7	3.0	2.0	4.0	1.3	10.7	4.7	1.0	1.5	2.0	4.9 to 12.00	93
UGC-20	20	22	27.6	4.7	3.7	*	1.6	*	*	1.8	*	1.6	4.9 to 20.5	145

If the end user is solely using the clamp for hanging vertical loads under a beam, then a standard girder clamp is recommended. Reasoning is that in the event of a shock load, the UGC could slide into the radius of the web, potentially causing damage to the clamp heads and the beam.

