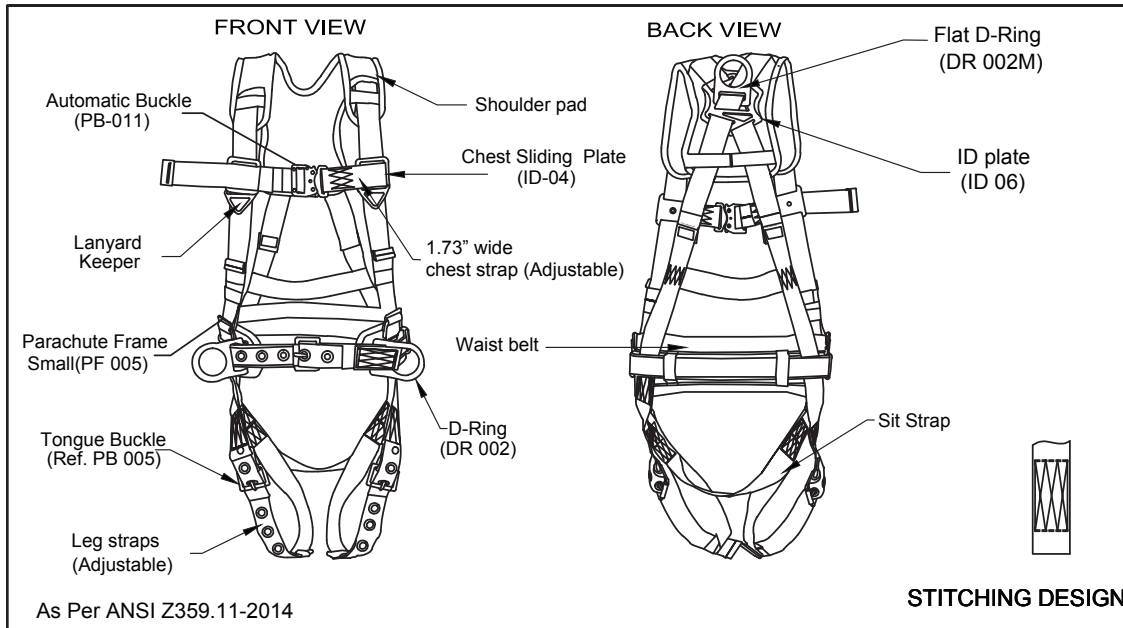


TECHNICAL SPECIFICATIONS

Harness 5pt. Back Padded, QCB Chest, Grommet Legs, Back/Side D-Rings, Positioning Belt. Variable Colors.

5 point adjustment harness, dorsal D-ring, hip D-rings, heavy duty back support/positioning pad with removable tool belt, Tongue buckle leg straps. Quick connect chest. Sewn in back pad. Fall indicators. Multiple sizes available. Meets or Exceeds ANSI Z359.11-2014. A10.32-2012.



- USER CAPACITY:**
- 130 – 310 lbs. (59 -140 kg)
- DESIGN:**
- Dorsal D-ring for fall arrest.
 - Adjustable Shoulder straps.
 - Adjustable leg straps.
 - Equipped with work positioning belt

WEBBING: Material: Polyester
 Width: 1.73 in. ± 0.04 in.
 Breaking Strength: 5000 lbs.

STITCHING THREAD: Material: High-tenacity polyester

METAL COMPONENT: Material: Alloy Steel
 Finish: Silver or Golden Yellow Galvanized

VITAL TEST COMPLIANCE: Static Strength: 3600 lbs. for 1 Minute
 Dynamic performance: Free fall from 6 feet height done to a test dummy weighing 220.46 lbs. at dorsal attachment element. Harness should not release the dummy for 5 minutes (Retention time).

WEIGHT OF HARNESS: 5.28 lbs. ± 0.02 lbs.

Part #	Color	Size
H222101121SM	Red	Small
H222101121MD		Medium
H222101121LG		Large
H222101121XLG		X-Large
H222101123SM	Blue	Small
H222101123MD		Medium
H222101123LG		Large
H222101123XLG		X-Large
H222101125SM	Yellow	Small
H222101125MD		Medium
H222101125LG		Large
H222101125XLG		X-Large
H222101126SM	Green	Small
H222101126MD		Medium
H222101126LG		Large
H222101126XLG		X-Large