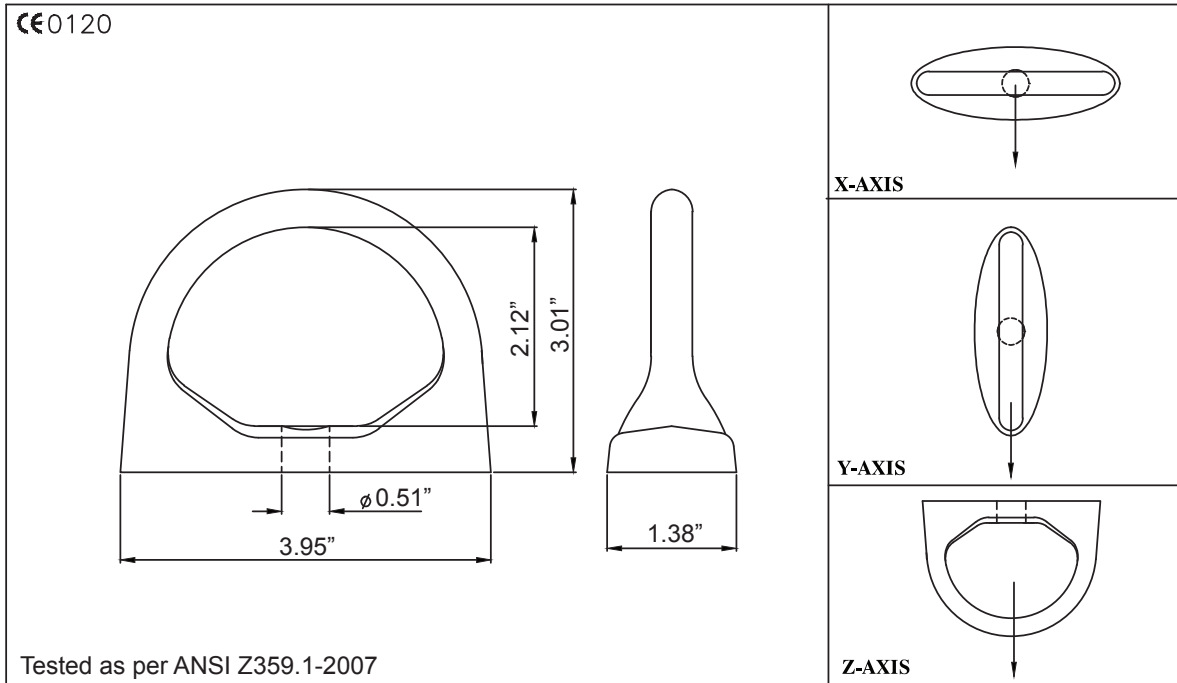


PN: A00001

TECHNICAL SPECIFICATIONS

Single Point Steel Anchor

Single Point Steel Anchor. Galvanized Steel. Min breaking strength 5000 lbs. Conforms to ANSI Z359.1-2007.



- DESIGN:**
- Single point anchor is designed to be fixed on walls, ceilings, roof tops or steel structures.
 - It can be used to sustain the load impact in all three axes (X, Y, & Z).
 - Alloy Steel

FINISH: Silver/golden yellow galvanized

MINIMUM BREAKING STRENGTH: X Axis: 23 kN (min) | Y Axis: 23 kN (min) | Z Axis: 23 kN (min)

CONFORM TO NORM: ANSI Z359.1-2007

WEIGHT: 0.84 lbs. \pm 0.02 lbs.