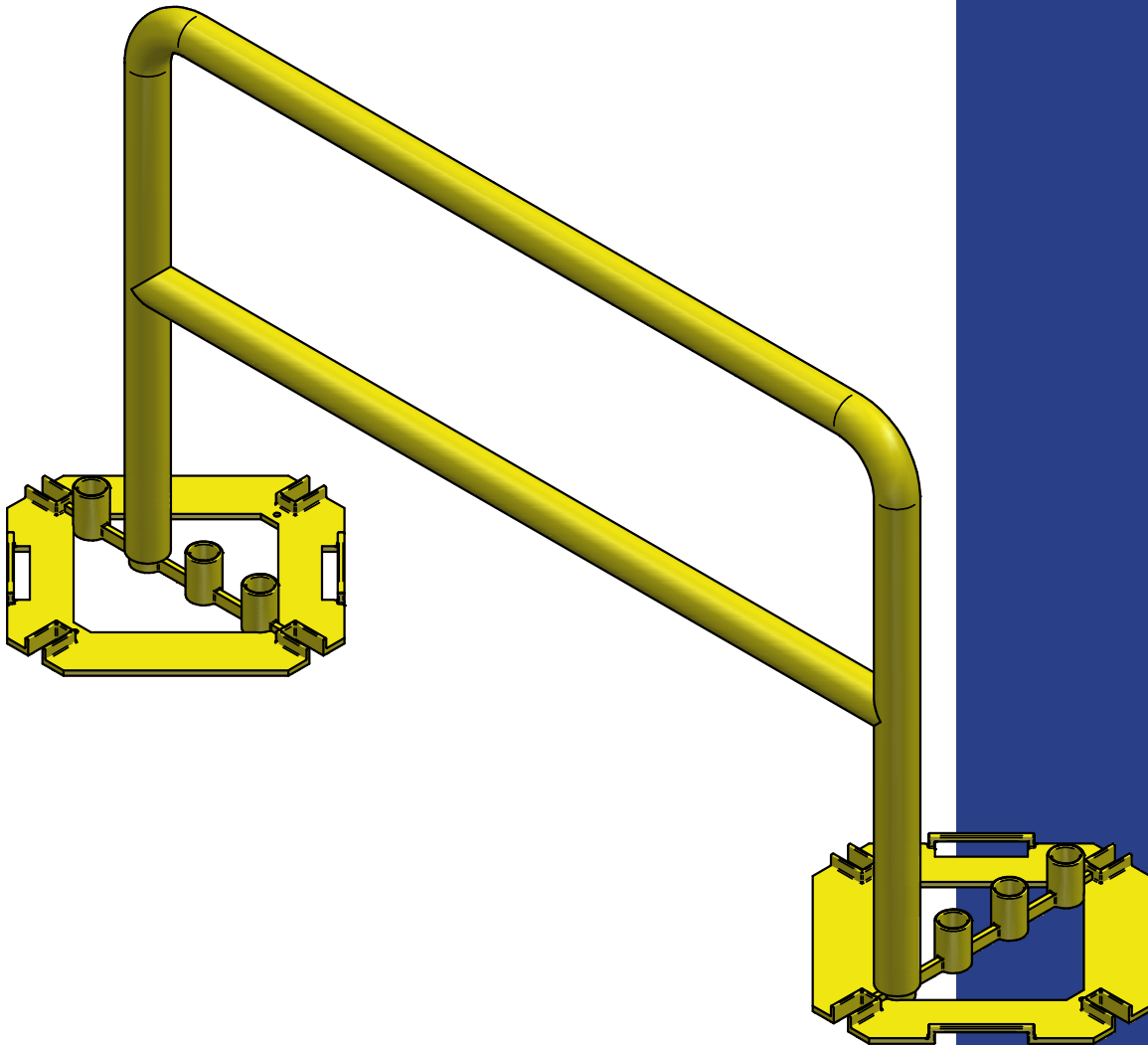




PALMER™
SAFETY

•Fall Protection •Training •Netting •PPE

GUARDRAIL SYSTEM
INSTRUCTION MANUAL



These Instructions Apply to the Following Model(s):

GUARDRAIL2WBASE, GUARDRAIL4WBASE, GUARDRAIL6, GUARDRAIL8,
GUARDRAIL10, GUARDRAIL12

IMPORTANT:

Do not skip this instruction manual. Read the instruction manual carefully before using the equipment. Failure to do so may cause serious injury or death. These instructions serve as the Manufacturer’s Instructions and are to be used as part of an employee training program for the system, as required by OSHA.

Table of Contents

Overview	2
Safety Standards	2
Worker Definitions	3
Applications	3
Components and Specifications	4
Notes	4
Installation and Use	5
Maintenance, Cleaning, and Storage	5
Inspection	6
Inspection Log	6
Safety Information	7

Overview

You have just purchased your very own Palmer Safety Fall Protection Guardrail System. This manual must be read and understood in its entirety, whereas any specified training course on fall protection can be utilized to provide the necessary knowledge.

All of these instructions need to be made available to the user of the equipment. The user needs to understand how the Guardrail System works and how to use it safely. They also need a basic understanding of fall safety equipment used in combination with the Guardrail System.

Safety Standards

All applicable OSHA 1926 Subpart M construction standards and OSHA 1910 general industrial standards for fall protection are followed when this product is used as instructed. Standards are regulated depending on the type of work being done. You can review all regulations at regulatory agencies for more information on fall protection systems, including any of the state-specific regulations.

Worker Definitions

NOTE: It is important to know the definition of those who work near or who may be exposed to fall hazards.

Qualified Person: A person with accreditation for this position who has sufficient experience or standing in their industry. They are responsible for reviewing the effectiveness of fall prevention and rescue procedures.

Competent Person: A fall safety coordinator is a person who has been trained to manage all aspects of a company's fall safety program. This includes the actual regulation, the management thereof and its application. A person tasked with identifying existing or foreseeable hazards. They have the power to temporarily stop work to address any concerns they might have.

Authorized Person: An employee who's area of responsibility includes areas where potential or existing fall hazards exist. These employees need to be trained to understand what it takes to work safely around these hazards.

Qualified or Competent person on jobsite is responsible for training and inspection of the Guardrail System. Please contact your local Palmer Safety Specialist if you have questions or need training. We can provide training on the jobsite.

Applications

WARNING: Using the equipment in ways other than its intended purpose may result in severe injury or death. Guardrail Systems are not intended for any connections, never attach anything to a guardrail system that is not specifically a part designed for use with the system. Do not ever climb, sit or lean on the Guardrail System.

Fall Prevention: This Guardrail System is only designed to be used in Fall Prevention applications. This system is to be placed around the leading edge of a fall hazard to stop workers from falling off the edge. This system can be used in place of other fall protection or safety netting. The procedures in these instructions must be followed when planning, setting up and using the Guardrail System. Nothing can ever be attached to a fall prevention system that has not been specifically designed for use in such a system. No connections are allowed for Fall Arrest, Restraint, Worker Positioning or Rescue operations.

Product Components

A: Guardrail 6', 8', 10' or 12'

B: 4-Way Base Plate

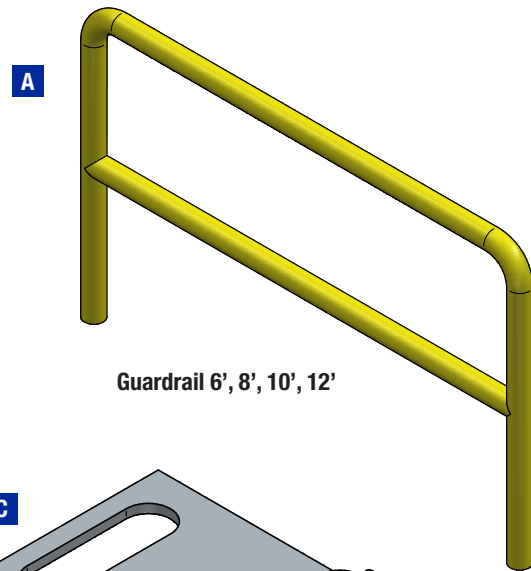
C: 2-Way Base Plate

Product Specifications

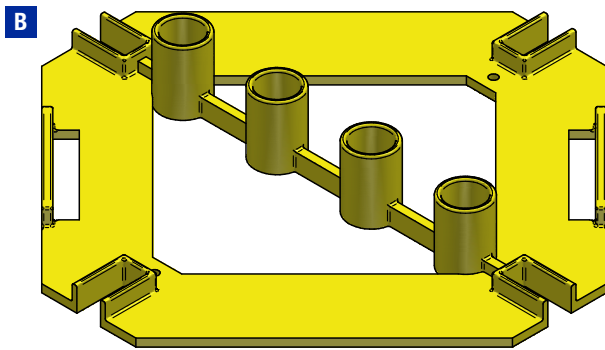
Guardrail System

For Fall Prevention ONLY

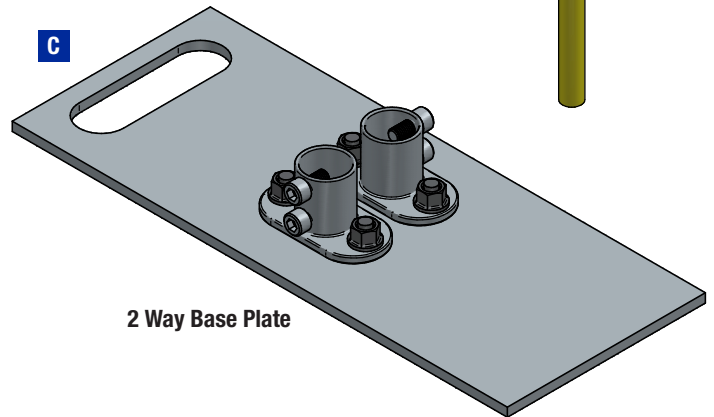
Materials: Powder Coated Steel and Galvanized Steel



Guardrail 6', 8', 10', 12'



4 Way Base Plate



2 Way Base Plate

Item ID	Length	Description
GUARDRAIL6	6'	PALMER SAFETY FALL PREVENTION GUARD RAIL, POWDER-COATED YELLOW
GUARDRAIL8	8'	PALMER SAFETY FALL PREVENTION GUARD RAIL, POWDER-COATED YELLOW
GUARDRAIL10	10'	PALMER SAFETY FALL PREVENTION GUARD RAIL, POWDER-COATED YELLOW
GUARDRAIL12	12'	PALMER SAFETY FALL PREVENTION GUARD RAIL, POWDER-COATED YELLOW
GUARDRAIL4WBASE	N/A	PALMER SAFETY FALL PREVENTION GUARD RAIL 4-WAY BASEPLATE, POWDER COATED YELLOW
GUARDRAIL2WBASE	N/A	PALMER SAFETY FALL PREVENTION GUARD RAIL 2-WAY BASEPLATE, GALVANIZED STEEL

Notes

- 1.) Make sure all workers have read and understand the warnings and instructions associated with this equipment.
- 2.) Make sure all workers are using other fall protection methods while installing fall prevention systems.
- 3.) Check to be sure the intended installation location is suitable for Guardrail installation. Never install on gravel or loose or slippery surfaces.
- 4) Guardrail systems must be installed at least 10' away from power lines or other electrical dangers.
- 5) Layout the Guardrail system in advance. Accurately measure the distance between the selected baseplates. Baseplates must be a minimum of 2 feet from the leading-edge of any opening or leading-edge hazard. If the

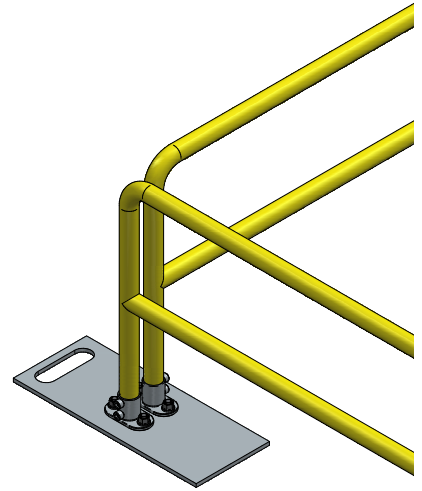
system is not laid out properly prior to installation, the system may have to be disassembled and reinstalled. Do not try to move a fully assembled system.

6) Make sure to orient the baseplates correctly. They must be perpendicular to the guardrails. For outriggers, one baseplate will be parallel, and one baseplate will be perpendicular to the main run of guardrails. See figure to the right.

7) GUARDRAIL4WBASE has slots to accept toe boards. Toe boards, if used, should run parallel to the guardrail.

8) Outriggers must be used on all runs of guardrail. Install outriggers at each end of a continuous run of guardrail including at both sides of an interruption. An Outrigger is a Guardrail installed perpendicular to the continuous run.

9) Wind load rating is 70mph. Do not use if there is the possibility of winds more than 70mph.



Installation and Use

1. First layout your system. Place your selected baseplates spaced according to the guardrail you are installing, 6', 8', 10' or 12', on the working surface. Measure accurately. Do not try to move a fully assembled guardrail system. The baseplates should be oriented perpendicular to the guardrail (except for outriggers). The baseplates must be a minimum of 2 feet from the leading-edge of any opening or leading-edge hazard. The baseplates must be at least 10' from power lines or other electrical dangers.
2. Remove the locking pins or loosen the set screws on the baseplates.
3. Hold the guardrail between you and the leading edge of the fall hazard. Insert one leg of the guardrail into the baseplate socket. Insert the 2nd guardrail leg into the socket on the opposing baseplate.
4. Continue to install all guardrails following this procedure.
5. Install locking pins / tighten all set screws. Make sure each guardrail is firmly connected to the baseplate and does not move.
6. If using toe boards, make sure they run parallel with guardrails.

Maintenance, Cleaning, and Storage

If Guardrail System fails inspection in any way, immediately remove it from service, and contact Palmer Safety to inquire about its return or repair.

Cleaning after use is important for maintaining the safety and longevity of Guardrail System. Remove all dirt, corrosives, and contaminants from Guardrail System before and after each use. If Guardrail System cannot be cleaned with plain water, use mild soap and water, then rinse and wipe dry. NEVER clean Guardrail System with corrosive substances.

Prior to use, store equipment where it will not be affected by heat, light, excessive moisture, chemicals, or other degrading elements.

Inspection

- 1.) All Guardrail System components should be inspected before each use.
If any damage is found or system is involved in a fall remove from jobsite immediately.
- 2.) Guardrail components should be inspected by a Competent Person annually.
- 3.) All inspections should be documented.

Palmer Safety would be glad to help with any inspections.

Inspection Log

SERIAL NUMBER:			
MODEL NUMBER:			
DATE PURCHASED:		DATE OF FIRST USE:	

	J	F	M	A	M	J	J	A	S	O	N	D
YR												
YR												
YR												
YR												
YR												

Product lifetime is indefinite as long as it passes pre-use and Competent Person inspections. User must inspect prior to EACH use. Competent Person other than user must complete formal inspection annually. Competent Person to inspect and initial.

This inspection log must be specific to one Guardrail System. All inspection records must be made visible and available to all users at all times.

If equipment fails inspection or is involved in a fall **REMOVE FROM SERVICE IMMEDIATELY.**

INSPECTION DATE	INSPECTION ITEMS NOTED	CORRECTIVE ACTION	MAINTENANCE PERFORMED
Approved by:			
Approved by:			
Approved by:			
Approved by:			
Approved by:			

Safety Information

WARNING: Failure to understand and comply with safety regulations may result in serious injury or death. Regulations included herein are not all-inclusive, are for reference only, and are not intended to replace a Competent Person's judgment or knowledge of federal or state standards.

Notes: