



**Vestil Manufacturing Corp.**  
 2999 North Wayne Street, P.O. Box 507, Angola, IN 46703  
 Telephone: (260) 665-7586 -or- Toll Free (800) 348-0868  
 Fax: (260) 665-1339  
 Web: [www.vestilmfg.com](http://www.vestilmfg.com) e-mail: [info@vestil.com](mailto:info@vestil.com)

## PJ-LIFT PALLET TRUCK HOIST INSTRUCTION MANUAL



**Receiving Instructions**

After delivery, remove the packaging from the product. Inspect the product closely to determine whether it sustained damage during transport. If damage is discovered, record a complete description of it on the bill of lading. If the product is undamaged, discard the packaging.

**NOTE:** The end-user is solely responsible for confirming that product design, use, and maintenance comply with laws, regulations, codes, and mandatory standards applied where the product is used.

**Technical Service & Replacement Parts**

For answers to questions not addressed in these instructions and to order replacement parts, labels, and accessories, call our Technical Service and Parts Department at (260) 665-7586. The Department can also be contacted online at <https://www.vestil.com/page-parts-request.php>.

**Electronic Copies of Instruction Manuals**

Additional copies of this instruction manual may be downloaded from <https://www.vestil.com/page-manuals.php>.

<b>Table of Contents</b>		<b>Page</b>
Specifications.....		2
Signal Words.....		3
Safety Instructions.....		3
Record of Satisfactory Condition.....		3
Exploded View and Bill of Materials.....		4
Installing/Mounting the Hoist.....		5
Loading the Hoist.....		6
Inspections & Maintenance.....		6 – 7
Labeling Diagram.....		7
Limited Warranty.....		8

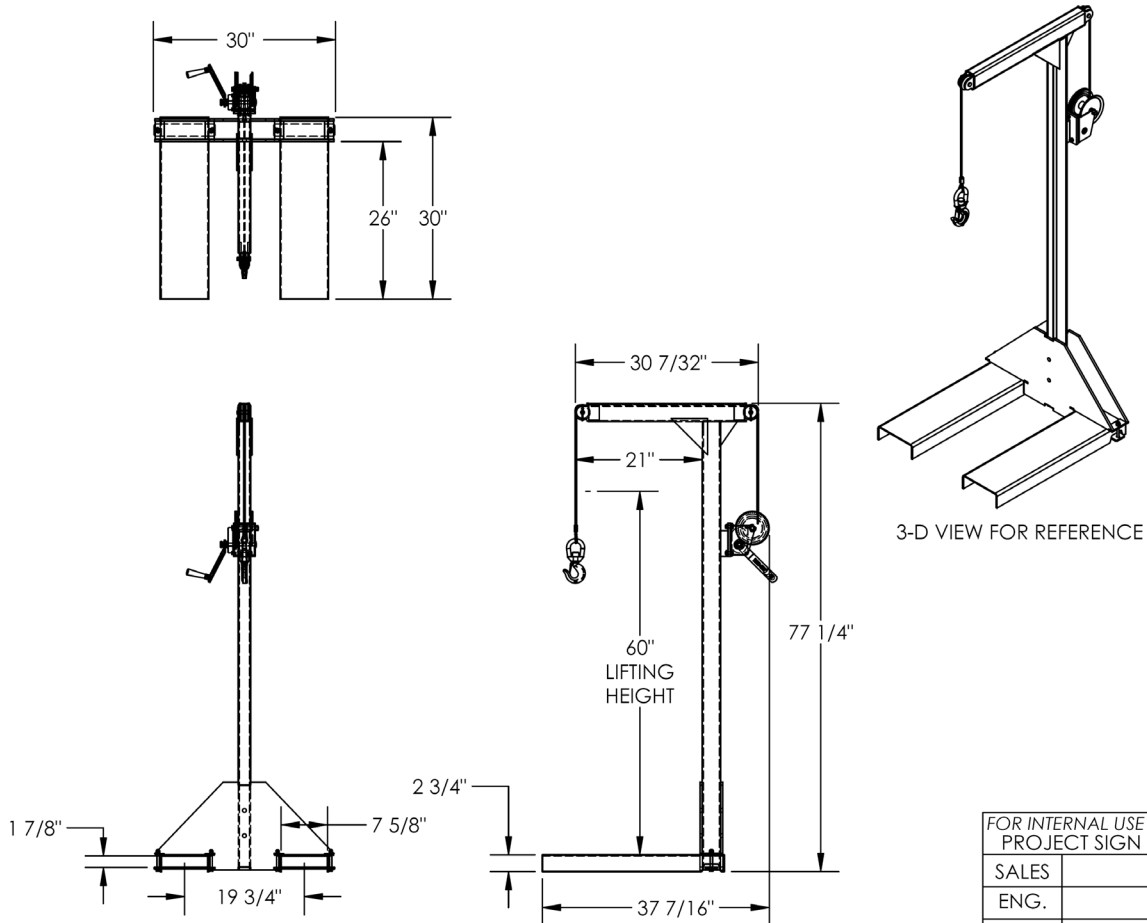
# SPECIFICATIONS

Specifications for PJ-LIFT low lift truck-mounted hoists are provided on Vestil's website. To access the specifications document, navigate to this webpage: <https://www.vestil.com/product.php?FID=1003>. Click the "Specifications" tab. Scroll the page to the entry for the model you purchased, and click the button in the PDF column that looks like a pencil inside a blue box. A PDF file will open. This file is the specifications document. Print a copy of the document and keep it with your copy of this manual. The following is an exemplar specifications document (28-007-271).

## PALLET TRUCK HOIST - PJ-LIFT

APPROX WEIGHT: 165.96 lbs.  
DOES NOT INCLUDE WEIGHT OF POWER OR PACKAGING!!!

\*\*\*ANY ADDITIONS, DELETIONS, OR OMISSIONS MUST BE CORRECTED ON THIS DRAWING AS THIS DRAWING WILL BE CONSIDERED ALL INCLUSIVE\*\*\*



FOR INTERNAL USE ONLY PROJECT SIGN OFF	
SALES	
ENG.	
FAB.	
POWER	

ALL GRAPHICS PROVIDED ARE FOR REFERENCE ONLY. IF CERTAIN DIMENSIONS ARE CRITICAL PLEASE VERIFY THOSE DIMENSIONS WITH YOUR SALESPERSON

### STANDARD FEATURES

- MODEL NUMBER IS PJ-LIFT
- CAPACITY IS 500 LBS.
- QUICKLY SECURES TO A STANDARD 27" X 48" PALLET TRUCK
- OVERALL WIDTH IS 30"
- OVERALL LENGTH IS 37 7/16"
- OVERALL HEIGHT IS 77 1/4"
- 19 3/4" FORK POCKET CENTERS
- FORK POCKETS ARE 7 5/8" WIDTH X 1 7/8" HEIGHT
- LIFT HEIGHT IS 60"
- LOWER LOAD ONTO FORKS BEFORE MOVING LOADED UNIT
- TOUGH BAKED IN POWDER COATED BLUE FINISH

### SPECIAL FEATURES

NONE

<b>APPROVAL</b>	I, THE UNDERSIGNED, AGREE THAT THE PRODUCT AS REPRESENTED SATISFIES DESIGN AND DIMENSION REQUIREMENTS. I ALSO ACKNOWLEDGE MY DUTY TO CONFIRM PRODUCT AND INSTALLATION COMPLIANCE WITH ALL APPLICABLE FEDERAL, STATE AND LOCAL REGULATIONS AND STANDARDS.	
	<b>UNITS REQUIRING APPROVAL DRAWINGS OR MODIFIED ARE NON-RETURNABLE</b>	
	[ ] As drawn [ ] As marked	
	Signed: _____ Date: _____	
Printed Name: _____		
LEAD TIME WILL START UPON RECEIPT OF SIGNED APPROVAL DRAWING		

DISTRIBUTOR'S NAME: <b>VESTIL MANUFACTURING</b>		P.O.# X
DRAWN BY:		W.O.# X
DATE:	SCALE: 1:24	SALES: X
REFERENCE: X	QUOTE #	FILE NAME: 28-007-271
QUOTED LEAD TIME: X	X	

## SIGNAL WORDS

This manual uses SIGNAL WORDS to indicate the likelihood of personal injuries, as well as the probable seriousness of those injuries, if the product is misused in the ways described. The signal words used in this manual appear below along with their definitions.



Identifies a hazardous situation which, if not avoided, **WILL** result in **DEATH** or **SERIOUS INJURY**. Use of this signal word is limited to the most extreme situations.



Identifies a hazardous situation which, if not avoided, **COULD** result in **DEATH** or **SERIOUS INJURY**.



Indicates a hazardous situation which, if not avoided, **COULD** result in **MINOR** or **MODERATE** injury.



Identifies practices likely to result in product/property damage, such as operation that might damage the product.

## SAFETY INSTRUCTIONS

Vestil strives to identify all foreseeable hazards associated with the use of its products. Material handling is dangerous and no manual can address every conceivable risk. Ultimately, the most effective way to prevent injury is to apply sound judgment whenever using this device.

### **▲ WARNING**

***Risks of serious personal injuries arise from using this device.***

- **DO NOT use the crane until you read and understand the entire manual.** Read the manual to refresh your understanding of proper use and maintenance procedures whenever necessary. A copy of this manual should be kept in a location that is accessible and known to all users of the truck.
- DO NOT use this product unless it is in [SATISFACTORY CONDITION](#). Inspect the unit as directed in [INSPECTIONS & MAINTENANCE](#) on p. 6-7. damaged or malfunctioning. Restore the crane to [SATISFACTORY CONDITION](#) before returning it to service.
- DO NOT exceed the capacity: 500 pounds (227kg). See [SPECIFICATIONS](#) on p. 2. The weights of the load, rigging, and all other equipment attached to the hoist must be added together to determine the net weight applied to it. The net weight must not exceed the capacity.
- DO use the hoist only on even, level ground. DO NOT traverse sloped ground.
- DO lift the load only as high as necessary. Keep clear of the load while it is suspended. Lower the load to rest on top of the fork tubes, or a pallet placed on the fork tubes, before moving the pallet truck.
- DO NOT use the hoist to pull or drag items. The hoist must only be used to lift items.
- ALWAYS load the hoist as recommended in [LOADING THE HOIST](#) on p. 6. Load swing can occur unless the load is centered below the hoist hook. Load swing can result in serious injury and/or property damage.
- DO NOT lift or transport people with the hoist. Only use the hoist as a material handling device.
- DO NOT use the hoist if any label is unreadable, damaged, or missing. See [LABELING DIAGRAM](#) on p. 7. Contact the [TECHNICAL SERVICE AND PARTS DEPARTMENT](#) for replacement labels.
- DO NOT modify this device! Modifications automatically void the [LIMITED WARRANTY](#) on p. 8 and might make the hoist unsafe to use.

## RECORD OF SATISFACTORY CONDITION (THE “RECORD”)

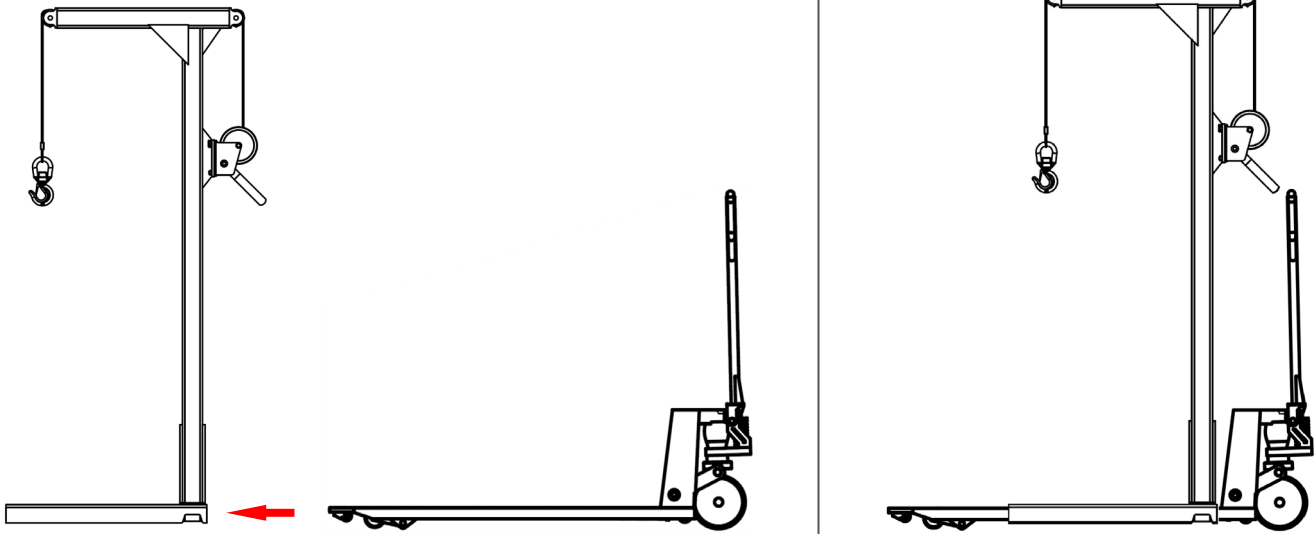
Before putting the unit into service, make a detailed record of its condition. Include observations of the winch assembly and cable, the hook, shackle and compression sleeve, pulleys, braces, wheels, casters, caster release mechanisms (handles, brackets, tabs, slots), pivot points, welds, the frame elements, and fasteners (bolts, nuts, washers, pins, etc.). Thoroughly photograph the unit from multiple angles so that all features are clearly imaged. Photograph all labels applied to the product. Describe where each label is located. Use the winch to extend and retract the cable. Describe the operation of the winch. Collect all photographs and writings in a file. This file is a record of the product in satisfactory condition. Compare the results of all inspections to the *RECORD* to determine whether the unit is in satisfactory condition.



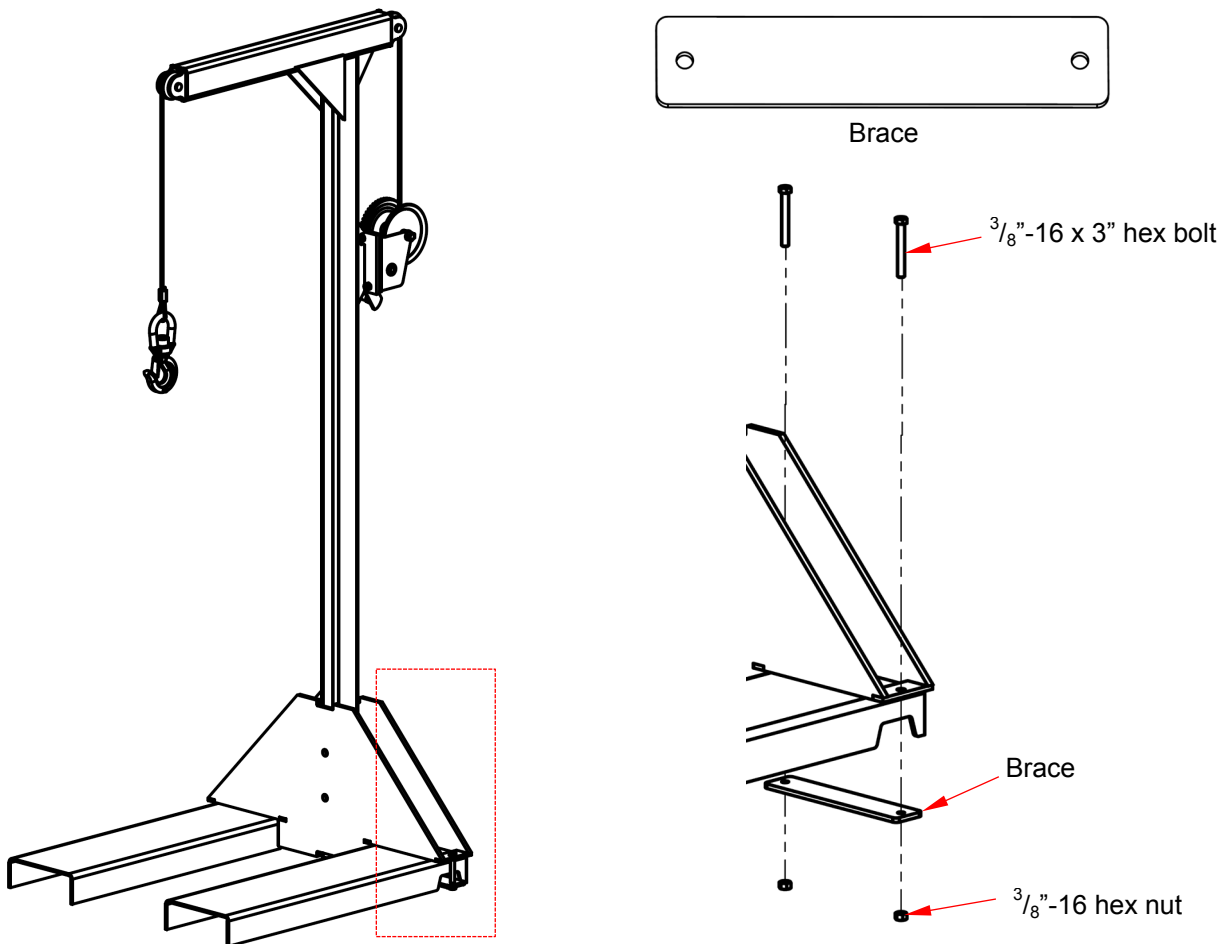
## INSTALLING/MOUNTING THE HOIST

Only install the hoist on a low lift pallet truck in good condition. The truck must be able to easily support the combined weight of the hoist, load rigging, and a full capacity load. See [SPECIFICATIONS](#) on p. 2.

**Step 1:** Drive the pallet truck into the fork pockets of the hoist as shown (or lift the hoist and set it on the forks).

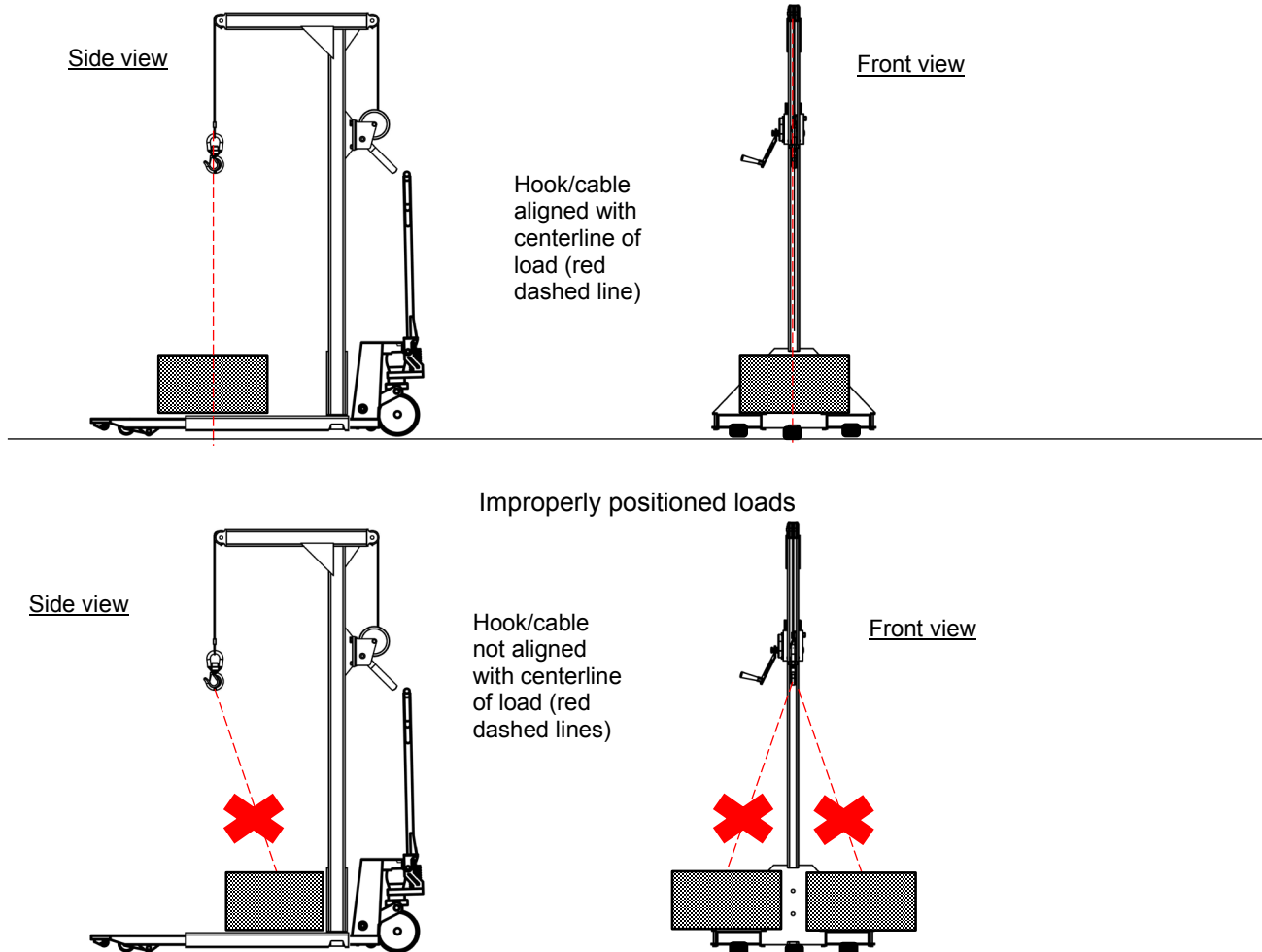


**Step 2:** Attach braces to the fork tubes with  $\frac{3}{8}$ "-16 x 3" bolts and  $\frac{3}{8}$ "-16 hex nuts. Braces go under the forks of the pallet truck. Tighten the nuts until braces press firmly against the forks. [NOTE: Pallet truck not shown in diagrams to show the connections more clearly.]



## LOADING THE HOIST

1. Drive the pallet truck, with the hoist installed, into the fork channels of the skid supporting the load.
2. Apply appropriate rigging to the load.
3. Turn the winch handle counterclockwise to lower the load hook. Lower the hook so that the load rigging can be attached to it. The center of the load should be directly below the hook to prevent load swing as it rises off of the skid. The following diagrams illustrate proper and improper positioning.



5. Turn the winch handle clockwise to raise the load. Only raise the load a few inches above the skid.
6. Back the truck out of the skid and lower the load onto the fork pockets (of the hoist). If the load is too narrow to rest on both pockets, place a pallet (or plywood) on the pockets.
7. Carefully move the truck to the unloading location. Raise the load. Remove the plywood/pellet. Drive the pallet truck into the skid, and lower the load onto the skid. Disconnect the hook from the rigging.

## INSPECTIONS & MAINTENANCE

Compare inspection results to the [RECORD OF SATISFACTORY CONDITION](#). Do not continue to use the product unless every component is in [SATISFACTORY CONDITION](#). Cosmetic changes, like damaged paint/powder coat do not constitute changes from satisfactory condition. However, touchup paint should be applied to all affected areas as soon as damage occurs. Contact [TECHNICAL SERVICE](#) to order replacement parts. Contact information is provided on the cover page of this manual.

Inspect and maintain the unit as instructed and immediately after it sustains damage. Conduct a load test of 125% of the rated capacity (1.25 x 500 pounds = 600 pounds) **each time the crane is repaired**. Raise the test load for 1 minute. Return the lifter to the ground and unload it. Perform a [Monthly Inspection](#) as instructed on p. 7.



**MONTHLY INSPECTIONS** - At least once per month inspect:

1. **Winch and pulleys:** Cycle the hook up and down. Confirm that the cable winds off of and onto the winch drum smoothly. The winch brake should engage whenever the handle is still and prevent the hook from lowering on its own. The cable pulley should not be loose or severely worn and should rotate freely as the cable passes over it.

2. **Winch cable:** Check for reeving, fraying, thinning, birdcaging, and elongating regions. If the cable is damaged, replace it.

3. **Frame elements:** Examine the fork tubes, braces, mast, gussets, and boom for damage, corrosion, cracked welds, and severe wear. All frame members should be square, rigid, and free of significant rusting. Remove rust with steel wool or a metal bristle brush, clean the areas to remove rust particles, and apply touchup paint to the affected areas.

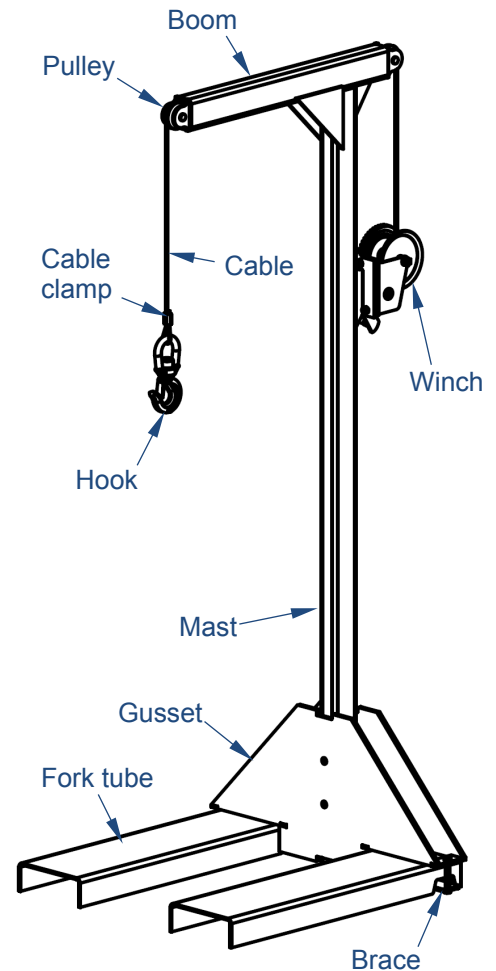
4. **Hook:** Visually inspect the hook before each use. Look for deformations and cracks. Immediately discard the hook if it is cracked or if the throat opening is more than 15% in excess of the original throat opening. Discard the hook if it is twisted more than 10° from the plane of the hook in its original condition. Confirm normal operation and operation of the safety latch. Examine cable clamps that attach the hook to the cable. Make sure that all connections are solid.

5. **Fork tubes and braces:** Inspect the fork tubes. Confirm that both braces are securely attached to the tubes and solidly contact the forks (of your pallet truck). Closely examine the areas around the bolt holes in the braces and tubes. Look for elongations, rust, corrosion, and metal fatigue. Check the condition of the hardware.

6. **Labels:** Confirm that all labels are in good condition and in place as shown in the "Labeling Diagram" (below).

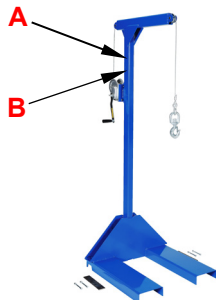
Every 6 months:

Conduct a load test. Lift a test weight equal to 125% of the capacity. After the test, examine the frame, winch, cable, and hook. Look for deformations, cracks, and metal fatigue.



**LABELING DIAGRAM**

Label content and locations are subject to change so your product might not be labeled exactly as shown. Compare this diagram to the RECORD. If differences exist between the diagram and the RECORD, contact TECHNICAL SERVICE. Replace all labels that are damaged, missing, or not easily readable (e.g. faded). To order replacement labels, contact the technical service and parts department online at [http://www.vestilmfg.com/parts\\_info.htm](http://www.vestilmfg.com/parts_info.htm). Alternatively, you may request replacement parts and/or service by calling (260) 665-7586 and asking the operator to connect you to the TECHNICAL SERVICE AND PARTS DEPARTMENT.



**A: Label 586**

⚠ WARNING	⚠ ADVERTENCIA	⚠ AVERTISSEMENT
<ul style="list-style-type: none"> <li>DO NOT exceed rated capacity</li> <li>LOWER LOAD before moving to avoid load swing</li> <li>NEVER STAND under, beside or in front of load</li> <li>USE on hard level surface</li> <li>INSPECT connections before using</li> <li>READ manual before use</li> </ul>	<ul style="list-style-type: none"> <li>No exceda la capacidad tasada</li> <li>Descienda la carga antes de mover para evitar que la carga se balancee</li> <li>Nunca se situe debajo, al lado o delante de la carga</li> <li>Use en una superficie a nivel dura</li> <li>Inspeccione las conexiones antes del uso</li> <li>Lea el manual antes del uso</li> </ul>	<ul style="list-style-type: none"> <li>NE PAS DÉPASSER la capacité nominale</li> <li>DESCENDRE la charge avant de la transporter pour éviter la giration</li> <li>JAMAIS vous mettre sous, à côté de ou devant une charge</li> <li>UTILISER sur un sol plat et dur</li> <li>INSPECTER les connexions avant utilisation</li> <li>LIRE le guide avant utilisation</li> </ul>

**B: Label 1153**

MODEL / MODÉLO / MODÈLE \_\_\_\_\_

WEIGHT / PESO / MASS \_\_\_\_\_

CAPACITY / CAPACIDAD / CAPACITÉ \_\_\_\_\_

SERIAL / SERIE / SÉRIE \_\_\_\_\_

UNITS: 2.2 lb. = 1kg      1" (or 1in.) = 2.54cm      1153

## LIMITED WARRANTY

Vestil Manufacturing Corporation (“Vestil”) warrants this product to be free of defects in material and workmanship during the warranty period. Our warranty obligation is to provide a replacement for a defective, original part covered by the warranty after we receive a proper request from the Warrantee (you) for warranty service.

### Who may request service?

Only a warrantee may request service. You are a warrantee if you purchased the product from Vestil or from an authorized distributor AND Vestil has been fully paid.

### Definition of “original part”?

An original part is a part used to make the product as shipped to the Warrantee.

### What is a “proper request”?

A request for warranty service is proper if Vestil receives: 1) a photocopy of the Customer Invoice that displays the shipping date; AND 2) a written request for warranty service including your name and phone number. Send requests by one of the following methods:

<u>US Mail</u>	<u>Fax</u>	<u>Email</u>
Vestil Manufacturing Corporation 2999 North Wayne Street, PO Box 507 Angola, IN 46703	(260) 665-1339 <u>Phone</u> (260) 665-7586	<a href="mailto:info@vestil.com">info@vestil.com</a> Enter “Warranty service request” in subject field.

In the written request, list the parts believed to be defective and include the address where replacements should be delivered. After Vestil receives your request for warranty service, an authorized representative will contact you to determine whether your claim is covered by the warranty. Before providing warranty service, Vestil will require you to send the entire product, or just the defective part (or parts), to its facility in Angola, IN.

### What is covered under the warranty?

The warranty covers defects in the following original, dynamic parts: motors, hydraulic pumps, motor controllers, and cylinders. It also covers defects in original parts that wear under normal usage conditions (“wearing parts”), such as bearings, hoses, wheels, seals, brushes, and batteries.

### How long is the warranty period?

The warranty period for original dynamic components is 90 days. For wearing parts, the warranty period is 90 days. Both warranty periods begin on the date Vestil ships the product to the Warrantee. If the product was purchased from an authorized distributor, the periods begin when the distributor ships the product. Vestil may, at its sole discretion, extend a warranty period for products shipped from authorized distributors by up to 30 days to account for shipping time.

### If a defective part is covered by the warranty, what will Vestil do to correct the problem?

Vestil will provide an appropriate replacement for any *covered* part. An authorized representative of Vestil will contact you to discuss your claim.

### What is not covered by the warranty?

The Warrantee (you) are responsible for paying labor costs and freight costs to return the product to Vestil for warranty service.

### Events that automatically void this Limited Warranty.

- Misuse;
- Negligent assembly, installation, operation or repair;
- Installation/use in corrosive environments;
- Inadequate or improper maintenance;
- Damage sustained during shipping;
- Collisions or other accidents that damage the product;
- Unauthorized modifications: Do not modify the product IN ANY WAY without first receiving written authorization from Vestil.

### Do any other warranties apply to the product?

Vestil Manufacturing Corp. makes no other express warranties. All implied warranties are disclaimed to the extent allowed by law. Any implied warranty not disclaimed is limited in scope to the terms of this Limited Warranty. Vestil makes no warranty or representation that this product complies with any state or local design, performance, or safety code or standard. Noncompliance with any such code or standard is not a defect in material or workmanship.

