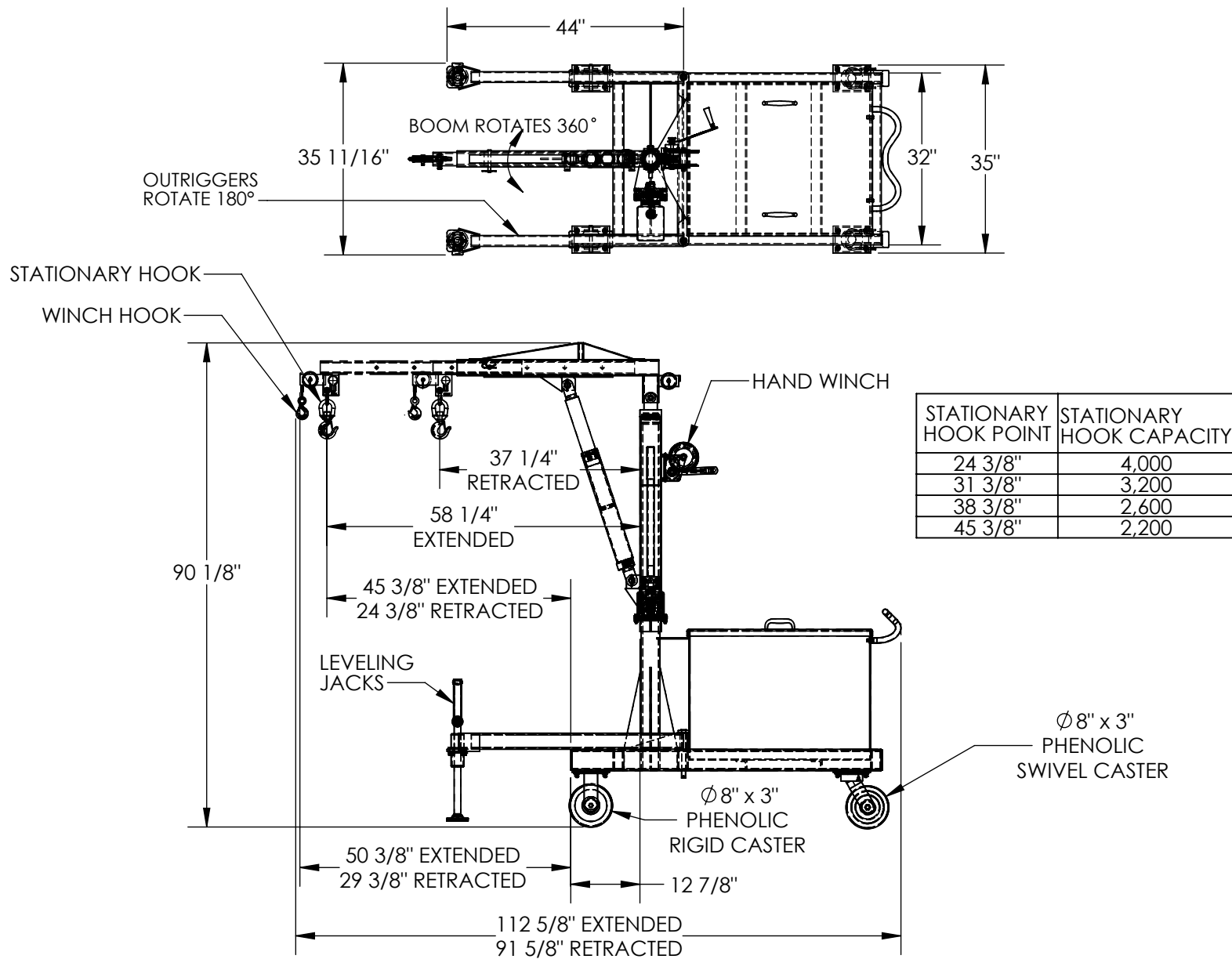


# PORTABLE CANTILEVER HOIST - P-JIB-4

\*\*\*ANY ADDITIONS, DELETIONS, OR OMISSIONS MUST BE CORRECTED ON THIS DRAWING AS THIS DRAWING WILL BE CONSIDERED ALL INCLUSIVE\*\*\*



ALL GRAPHICS PROVIDED ARE FOR REFERENCE ONLY. IF CERTAIN DIMENSIONS ARE CRITICAL PLEASE VERIFY THOSE DIMENSIONS WITH YOUR SALESPERSON

DIMENSION TOLERANCE +/- 1/4"

## STANDARD FEATURES

MODEL NUMBER: P-JIB-4  
 STATIONARY HOOK CAPACITY: SEE CHART  
 HAND WINCH CAPACITY: 800 LBS.  
 WIDTH: 35 11/16"  
 EXTENDED LENGTH: 113 3/8"  
 RETRACTED LENGTH: 92 3/8"  
 LEVEL HEIGHT: 90 1/8"  
 (2) RIGID & (2) Ø8" x 3" PHENOLIC CASTERS  
 SWIVEL CRANE FOR SIDE LOADING  
 TWO OUTRIGGERS TO INCREASE STABILITY  
 LEVELING JACKS TO STABILIZE UNIT TO FRONT/SIDE  
 DURABLE LIQUID PAINT BLUE FINISH  
 WITH YELLOW INNER BOOM

\*\*THE P-JIB-BALL-4 COUNTER BALANCE BALLAST (SOLD SEPARATELY) IS RECOMMENDED FOR PROPER USE OF THIS PRODUCT\*\*  
 APPROX. SHIPPING WEIGHT IS 959 LBS.

## SPECIAL FEATURES

NONE

APPROVAL

I, THE UNDERSIGNED, AGREE THAT THE PRODUCT AS REPRESENTED SATISFIES DESIGN AND DIMENSION REQUIREMENTS. I ALSO ACKNOWLEDGE MY DUTY TO CONFIRM PRODUCT AND INSTALLATION COMPLIANCE WITH ALL APPLICABLE FEDERAL, STATE AND LOCAL REGULATIONS AND STANDARDS.  
**UNITS REQUIRING APPROVAL DRAWINGS OR MODIFIED ARE NON-RETURNABLE**

[ ] As drawn [ ] As marked

Signed: \_\_\_\_\_ Date: \_\_\_\_\_

Printed Name: \_\_\_\_\_

LEAD TIME WILL START UPON RECEIPT OF SIGNED APPROVAL DRAWING

DISTRIBUTOR'S NAME:		P.O.#
VESTIL MANUFACTURING		X
DRAWN BY: TJM		W.O.#
DATE: 02/04/10		X
REFERENCE: X	SCALE: 1:28	SALES: X
QUOTED LEAD TIME: X	QUOTE #	FILE NAME:
	X	28-007-269