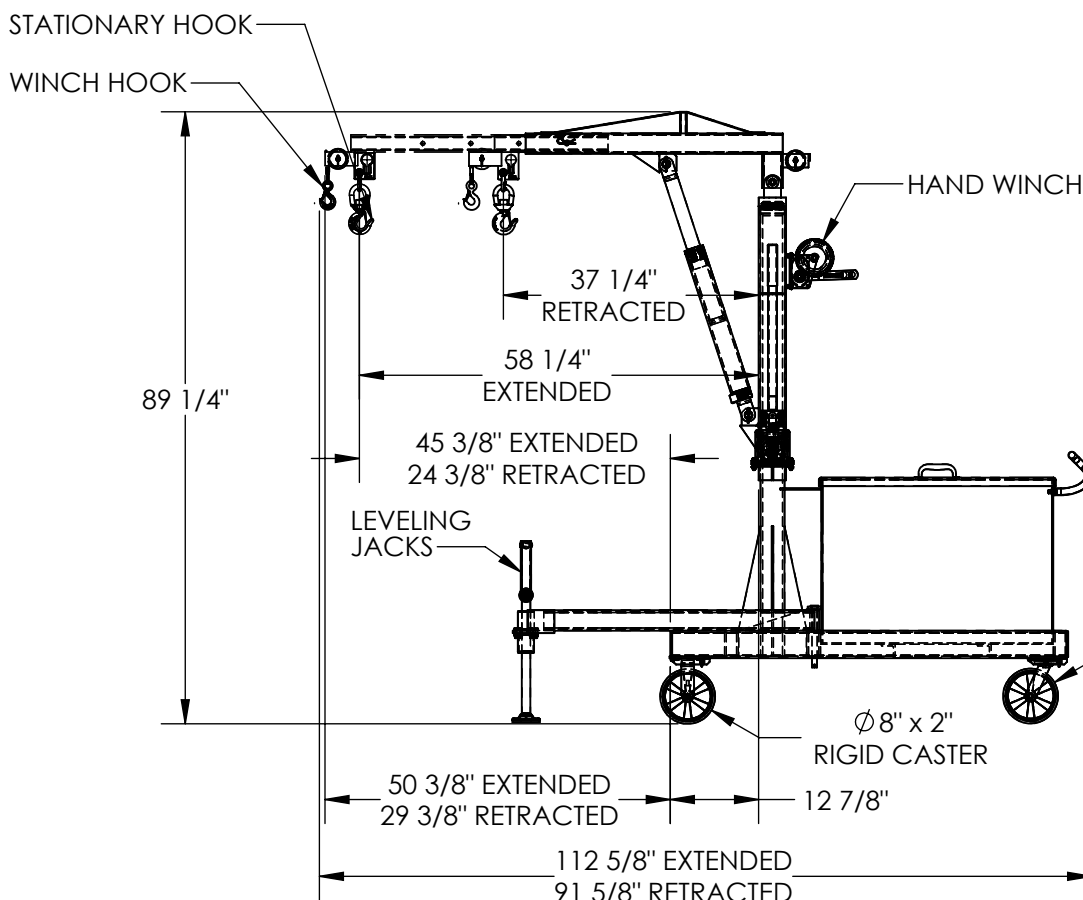
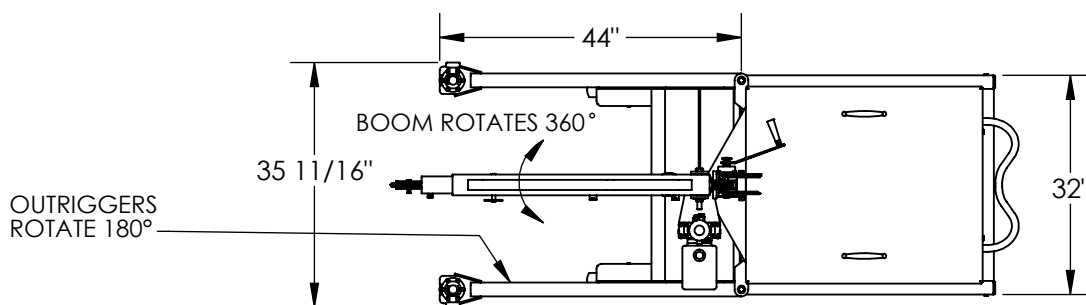


PORTABLE CANTILEVER HOIST - P-JIB-2

ANY ADDITIONS, DELETIONS, OR OMISSIONS MUST BE CORRECTED ON THIS DRAWING AS THIS DRAWING WILL BE CONSIDERED ALL INCLUSIVE



STATIONARY HOOK POINT	STATIONARY HOOK CAPACITY
24 3/8"	2,000 LBS.
31 3/8"	1,600 LBS.
38 3/8"	1,300 LBS.
45 3/8"	1,100 LBS.

Ø8" x 2" SWIVEL CASTER

Ø8" x 2" RIGID CASTER

DIMENSION TOLERANCE +/- 1/4"

ALL GRAPHICS PROVIDED ARE FOR REFERENCE ONLY. IF CERTAIN DIMENSIONS ARE CRITICAL PLEASE VERIFY THOSE DIMENSIONS WITH YOUR SALESPERSON

STANDARD FEATURES

- MODEL NUMBER: P-JIB-2
- STATIONARY HOOK CAPACITY: SEE CHART
- HAND WINCH CAPACITY: 800 LBS.
- WIDTH: 35 11/16"
- EXTENDED LENGTH: 113 3/8"
- RETRACTED LENGTH: 92 3/8"
- LEVEL HEIGHT: 89"
- (2) RIGID & (2) SWIVEL Ø8" x 2"
- GLASS FILLED NYLON CASTERS
- SWIVEL CRANE FOR SIDE LOADING
- TWO OUTRIGGERS TO INCREASE STABILITY
- LEVELING JACKS TO STABILIZE UNIT TO FRONT/SIDE
- DURABLE LIQUID PAINT BLUE FINISH WITH YELLOW INNER BOOM
- **THE P-JIB-BALL-2 COUNTER BALANCE BALLAST (SOLD SEPARATELY) IS RECOMMENDED FOR PROPER USE OF THIS PRODUCT**
- APPROX. SHIPPING WEIGHT IS 916 LBS.

SPECIAL FEATURES

NONE

APPROVAL

I, THE UNDERSIGNED, AGREE THAT THE PRODUCT AS REPRESENTED SATISFIES DESIGN AND DIMENSION REQUIREMENTS. I ALSO ACKNOWLEDGE MY DUTY TO CONFIRM PRODUCT AND INSTALLATION COMPLIANCE WITH ALL APPLICABLE FEDERAL, STATE AND LOCAL REGULATIONS AND STANDARDS.

UNITS REQUIRING APPROVAL DRAWINGS OR MODIFIED ARE NON-RETURNABLE

As drawn As marked

Signed: _____ Date: _____

Printed Name: _____

LEAD TIME WILL START UPON RECEIPT OF SIGNED APPROVAL DRAWING

DISTRIBUTOR'S NAME:		P.O.#
VESTIL MANUFACTURING		X
DRAWN BY: TJM		W.O.#
DATE: 02/04/10		X
REFERENCE: X	SCALE: 1:28	SALES: X
QUOTED LEAD TIME: X	QUOTE #	FILE NAME:
	X	28-007-268