



# HAND CHAIN HOIST 1/2 – 20 TONS MANUAL

## NOTICE

It is the responsibility of the owner/user to install, inspect, test, maintain, and operate these hand chain hoists in accordance with ASME B30.16, Safety Standard for Overhead Hoists.

These general instructions deal with the normal installation, operation and maintenance situations encountered with the hand chain hoists described herein. The instructions should not be interpreted to anticipate every possible contingency or to anticipate the final system or configuration that uses these hand chain hoists. Read and observe the instructions stated in the manual furnished with equipment to be used with these hand chain hoists.

These instructions include information for a variety of hand chain hoists. Therefore, all instructions and information may not apply to one specific hand chain hoist. Disregard those portions of the instructions that do not apply.

If the hand chain hoist owner/user requires additional information or if any information in these instructions is not clear, contact MAGNA Lifting Products, Inc. or the distributor of the hand chain hoist. Do not install, inspect, test, maintain, or operate this hand chain hoist unless this information is fully understood.

## WARNING

This hand chain hoist should not be installed, operated, or maintained by any person who has not read all the contents of these instructions, and ASME B30.16, Safety Standard for Overhead Hoists. Failure to read and comply with these instructions or any of the warnings or limitations noted herein can result in serious bodily injury or death, and/or property damage.

Only trained and qualified personnel shall operate and maintain this equipment.

Equipment described herein is not designed for, and should not be used for lifting, supporting, or transporting humans.

User should not use this hand chain hoist in conjunction with other equipment unless necessary and/or required safety devices applicable to the system are installed by the user.

Modifications to upgrade, rerate or otherwise alter these hand chain hoists shall be authorized only by the original equipment manufacturer or qualified professional engineer.

### PRIOR TO INSTALLATION

Check for damage during shipment. Place claim with carrier if any damage is discovered. DO NOT install or use a damaged hand chain hoist.

Check and verify that structure or other equipment that will support the hand chain hoist has a rated load capacity equal to or greater than the rated load capacity of the hand chain hoist to be used.

### OPERATION

#### Before initial operation of hoist:

1. Read and comply with all instructions and warnings furnished with or attached to hoist.
2. Check lubricant.
3. Check operation of brake.
4. Check that chain is properly seated in sheaves and that chain is not twisted, kinked, or damaged.

#### Before each shift:

1. Inspect hooks for nicks, gouges, cracks, and signs of pulling apart or twist.
2. Inspect hook latch for proper operation.
3. Check chain for kinks or twists.
4. Check operation of brake.
5. Replace warning label if missing or illegible.

#### Before operating:

1. Be certain all personnel are clear of the load to be lifted and moved.
2. Make sure load will clear stock piles, machinery, or other obstructions when hoisting and traveling the load.
3. Eliminate any twists or kinks in the load chain.
4. Do not use the hoist if bottom hook is capsized (multiple fall hoists). Correct all chain irregularities before conducting the first operation.

## ⚠ WARNING

### SAFETY PRECAUTIONS

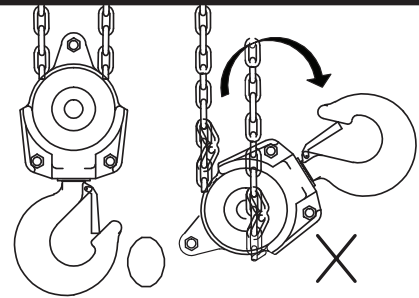
1. READ these instructions and ASME B30.16, Safety Standard for Overhead Hoists before installing, operating, or maintaining this equipment.
2. DO NOT lift more than rated load.
3. DO NOT operate hoist when it is restricted from forming a straight line with the direction of loading.
4. DO NOT operate with twisted, kinked, or damaged chain.
5. DO NOT operate if chain is not seated in sheaves or sprockets.
6. DO NOT wrap chain around load or use chain as a sling.
7. DO NOT operate unless load is properly applied to the saddle or bowl of the hook.
8. DO NOT operate if load is applied to the tip of the hook.
9. DO NOT operate with damaged or missing hook latches.
10. DO NOT lift people.
11. DO NOT lift or move loads over people.
12. DO NOT operate with side-pulling or side-loading of load to hoist.
13. DO NOT operate a damaged or malfunctioning hoist.
14. DO NOT operate with other than hand power.
15. DO NOT remove, deface, or obscure warning label or labels on hoist.
16. DO NOT leave load suspended when hoist is unattended unless specific precautions have been instituted and are in place.
17. DO NOT lengthen load chain or repair damaged load chain.
18. DO NOT use chain as a ground for welding.
19. WARN personnel of approaching loads.
20. DO NOT lift or suspend loads with multiple hoists.

## NOTICE

Check load chain for capsized hooks on hoists with multiple falls. If bottom hook is capsized, do not use hoist until capsized hook is corrected.

If capsized, rotate the bottom hook assembly through the chain falls until no kinks remain.

Using a capsized load chain can cause injury and serious damage to the hoist.



### INSPECTION, MAINTENANCE

Prior to initial use, all new, altered, and repaired hoists shall be inspected in accordance with Table 2. Thereafter, inspections shall be conducted at intervals shown in Table 1; and items to be inspected are indicated in Table 2 by F (Frequent) or P (Periodic). Refer to ASME B30.16 for additional information on inspection, test, and maintenance.

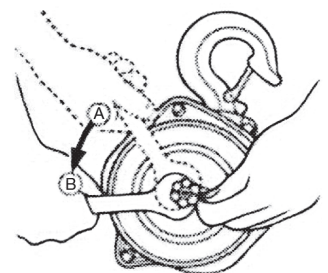
**TABLE 1- FREQUENCY OF INSPECTION**

SERVICE	FREQUENT INSPECTION	PERIODIC INSPECTION
Normal	Monthly	Annually
Heavy	Weekly to Monthly	Semi-Annually
Severe	Daily to Weekly	Quarterly

**Frequent Inspections** - Visual inspection by the operator or other authorized person. This inspection includes listening for unusual sounds while the hoist is operated that may indicate deficiencies.

**Exception:** Brakes require more than audio-visual inspection. Check daily by operating hoist with and without load, stopping at various positions to test holding power and amount of drift, if any occurs. To adjust brake (Refer to Figure 1):

1. Hand tighten nut on pinion shaft until snug (position A).
2. Slack off nut to next closest position where cotter pin hole in pinion shaft is visible (position B) and install cotter pin there. Place bent prong of cotter pin over edge of pinion nut.



**Figure 1**

**NOTE:** Replace brake disc if thickness is less than 0.08 inch.

**Periodic Inspections** - Audio-visual inspection as for Frequent Inspections, with some disassembly to allow a more detailed inspection if external conditions indicate the need.

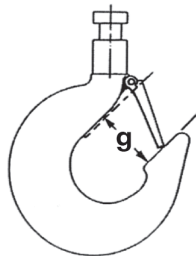
**TABLE 2 - INSPECTION CHART**

In chart, F indicates Frequent Inspection. P indicates Periodic Inspection.

LOCATION	CHECK FOR	F	P	LOCATION	CHECK FOR	F	P
Braking mechanism (See Page 2)	Slipping under load	x		Hook Retaining Members (Pins, Bolts, Nuts)	Not tight or secure		x
	Hard to release	x				Hook Latch	Damaged; does not close
Brake Parts Brake Discs	Glazing		x	Suspension Member (Sheaves, Hand-Wheels, Chain Attachments, Suspension bolts or pins)	Excessive wear		
	Oil contamination		x		Distortion		x
Pawl; Ratchet	Excessive wear		x		Cracks	x	x
Pawl Spring	Corrosion; Stretch		x	Bearings; Shafts	Excessive wear		x
Load Chain (See Page 4)	Stretch	x			Distortion		x
	Excessive wear	x	x		Cracks		x
	Twist	x			Inadequate lubrication		x
	Broken, cracked, or damaged links	x		Gears	Distortion		x
	Deposits of foreign material	x			Broken or worn teeth		x
Inadequate lubrication	x		Cracks			x	
Hook (See below)	Chemical damage	x		Inadequate lubrication	x		
	Cracks	x		Load Block; Suspension Housing	Distortion	x	x
	Deformation	x			Cracks		
	15% in excess of normal throat opening		x	Trolley; Supporting Structure	Possible inability to continue supporting imposed loads		x
	10° twist from plane of unbent hook		x			Bolts, Nuts, Rivets	Not tight or secure
	Cracks (dye penetrant, magnetic particle, or other suitable detection method)		x	WARNING Label	Removed or illegible		

**HOOKS**

Refer to ASME B30.10, Safety Standard for Hooks. Inspect hooks and measure hook throat opening at least once a month. Between regular inspections check visually daily for deformation, distortion, twisting, damage, and missing or damaged hook latches. Inspect at follows:



**Figure 2**

1. Measure hook throat opening from metal to metal of the hook as shown by dimension g in Figure 2. DO NOT measure from latch to metal. Hook must be replaced when throat opening measurement has increased 5% over the original throat opening dimension of a new hook, as follows:
2. Measure hook depth at load bearing point (base, bowl, or saddle) of the hook. Hook must be replaced when wear at load bearing point is 10% of the original depth of the hook load bearing point.
3. A bend or twist of the hook exceeding 10° from the plane of the unbent hook requires replacement of the hook.

CAPACITY TONS	DIMENSION g NEW HOOK	DIMENSION g REPLACE HOOK
1/2	32mm	33.60mm
1	34mm	35.70mm
1.5	38mm	39.90mm
2	41mm	43.05mm
3	46mm	48.30mm
5	49.5mm	51.98mm
7.5	48.5mm	50.93mm
10	62mm	65.10mm
15	91mm	95.55mm
20	91mm	95.55mm

*Dimensions apply to current hooks that are labeled with a small t.*

4. A hook safety latch that is missing, inoperative, or does not close the throat opening of the hook must be replaced.
5. Hooks having damage from chemicals, corrosion, or deformation must be replaced.

## NOTICE

ANY HOOK THAT REQUIRES REPLACEMENT BECAUSE OF EXCESSIVE BENDS, TWISTS, OR THROAT OPENING INDICATES ABUSE OR OVERLOADING OF THE HOIST. THEREFORE, OTHER LOAD-SUPPORTING COMPONENTS OF THE HOIST SHOULD BE INSPECTED FOR POSSIBLE DAMAGE WHEN SUCH CONDITIONS ARE FOUND.

## ⚠ CAUTION

NEVER REPAIR HOOKS BY WELDING OR RESHAPING. HEAT APPLIED TO THE HOOK WILL ALTER THE ORIGINAL HEAT TREATMENT OF THE HOOK MATERIAL AND REDUCE THE STRENGTH OF THE HOOK.

NEVER WELD HANDLES OR OTHER ATTACHMENTS TO THE HOOK. HEAT APPLIED TO THE HOOK WILL ALTER THE ORIGINAL HEAT TREATMENT OF THE HOOK MATERIAL AND REDUCE THE STRENGTH OF THE HOOK.

### CHAIN

Inspect chain at least once a month. Between regular inspections check visually daily for nicks, gouges, weld splatter, corrosion, or distorted links. Inspect chain thoroughly if it does not feed smoothly over load sheaves. Inspect as follows:

1. Clean chain with solvent before inspection.
2. Test hoist with load and observe operation of chain over load sheaves.
3. Slacken chain and inspect contact points for excessive wear. Refer to Figure 3.



Figure 3

4. Using caliper—type gauge, with chain under light tension, measure the nominal pitch (inside length dimension) of several links. Replace chain if nominal pitch exceeds maximum allowable tolerance shown in chart by more than 2.5%.

CAPACITY TONS	CHAIN WIRE DIAMETER	MAXIMUM ALLOWABLE GAUGE LENGTH
0.5 / 1.0	6.3mm	19.1mm + 0.3/-0.1
1.5	7.1mm	21.0mm + 0.3/-0.1
2	7.9mm	23.0mm + 0.3/-0.1
3	7.1mm	21.0mm + 0.3/-0.1
5 - 20	9.0mm	27.0mm + 0.4/-0.1



Figure 4

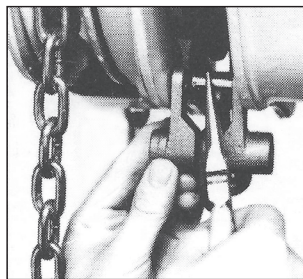


Figure 5

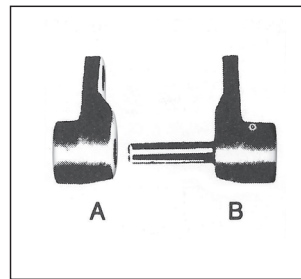


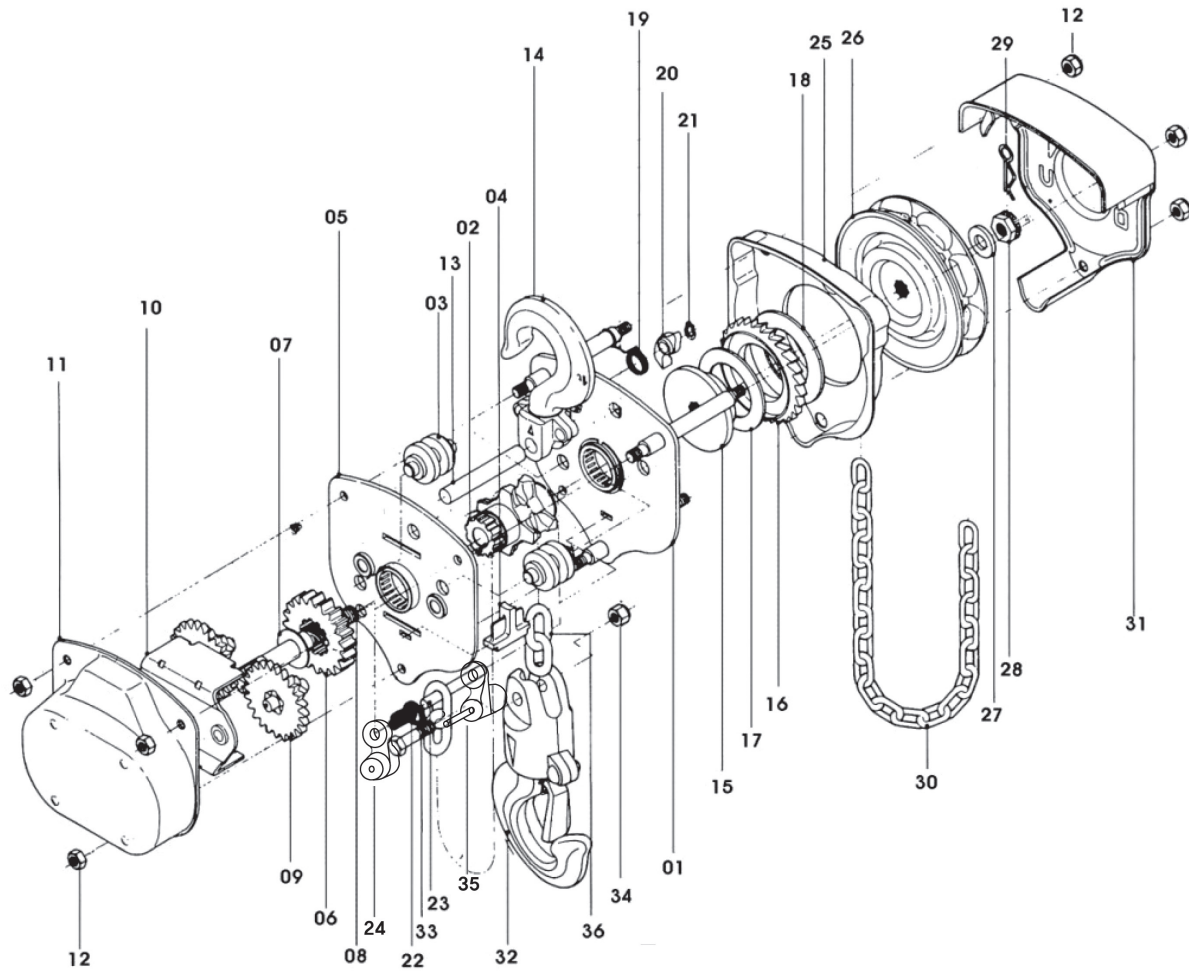
Figure 6

#### To install end anchor when replacing load chain:

1. Slip End Anchor Pin through end link of chain (Figure 4).
2. Assemble Part A of End Anchor to Part B (Figure 6).
3. Assemble End Anchor between Side Plate I and II:
  - a. Insert End Pin through holes in End Anchor parts A and B.
  - b. Eliminate any twist in chain.
  - c. Insert end of End pin into End Spring, and assemble into Side Plate I (Refer to Figure 5).
  - d. Depress spring with pin until opposite end of pin will slide into hole in Side Plate I.
  - e. Check that pin is securely fastened.

### LUBRICATION

Apply NLGI No. 2 grease to gears as required. Lubricate load chain with AGMA No. 2 oil.

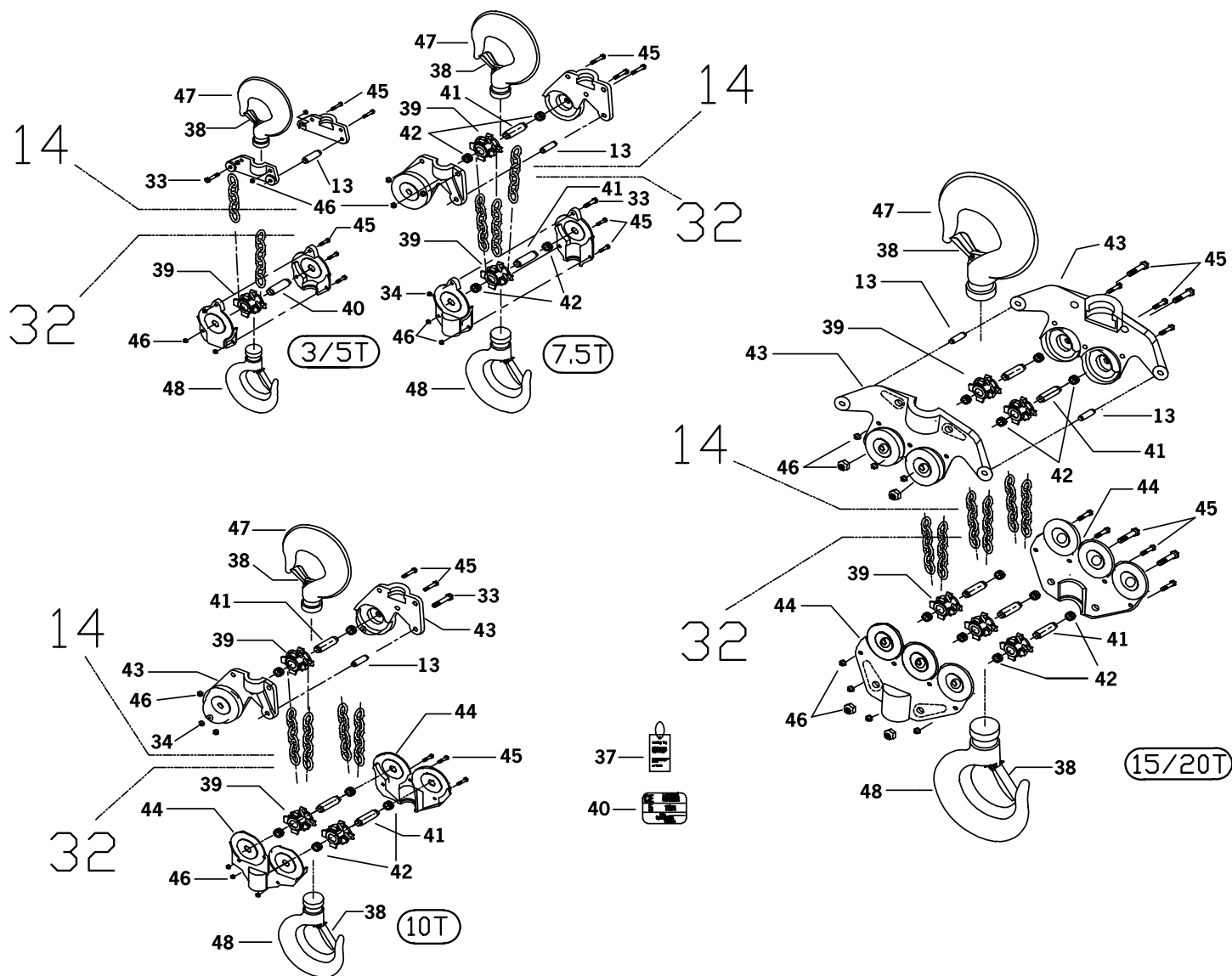


No	Description	Qty
01	Side Plate I	1
02	Load Sheave	1
03	Chain Guide	2
04	Chain Stripper	1
05	Side Plate II	1
06	1st Gear	1
07	Pinion Washer	1
08	Pinion Shaft	1
09	2nd 3rd Gear	2
10	Support Plate	1
11	Gear Cover	1
12	U-Nut	6
13	Top Hook Pin	1
14	Top Hook Assembly	1
15	Hub	1
16	Ratchet Gear	1
17 / 18	1 set Disc A & Disc B	1
19	Pawl Spring	1
20	Pawl	1

No	Description	Qty
21	Snap Ring	1
22	End Spring	1
23	End Anchor Pin	1
24	End Anchor A (b)	1
25	Brake Cover	1
26	Hand Wheel	1
27	Wheel Washer	1
28	Pinion Nut	1
29	Cotter Pin	1
30	Hand Chain	1
31	Wheel Cover	1
32	Bottom Hook Assembly	1
33 / 34	1 set Hook Bolt and U-Nut	1
35	End Anchor B (b)	1
36	Load Chain	1
37	Warning Label (a)	1
38	Safety Hook Latch	2
39	Top/Bottom Hook Sheave	1
40	Capacity Label (b)	1

**Note:** (a) Not Shown. Attached to load block. Replace if missing or illegible. (b) Not Shown.

**TO ORDER PARTS:** Provide capacity, serial number, part number, part description, and quantity required. Use only MAGNA® replacement parts.



No	Description	Capacity / Qty				
39	Top/Bottom Hook Sleeve	3/5t : 1	7.5t : 2	10t : 3	15t : 5	20t : 7
41	Axle	3/5t : 1	7.5t : 2	10t : 3	15t : 5	20t : 7
42	Bearing HK3020		7.5t : 4	10t : 6	15t : 10	20t : 14
43	Top Hook Holder	3/5t : 2	7.5t : 2	10t : 2	15t : 2	20t : 2
44	Bottom Hook Holder	3/5t : 2	7.5t : 2	10t : 2	15t : 2	20t : 2
45	Holder Bolt	3/5t : 5	7.5t : 4	10t : 5	15t : 11	20t : 13
46	Holder Nut	3/5t : 1	7.5t : 4	10t : 5	15t : 11	20t : 13
47	Top Hook	3/5t : 1	7.5t : 1	10t : 1	15t : 1	20t : 1
48	Bottom Hook	3/5t : 1	7.5t : 1	10t : 1	15t : 1	20t : 1

**TO ORDER PARTS:** Provide capacity, serial number, part number, part description, and quantity required. Use only MAGNA® replacement parts.

## GENERAL CONDITIONS OF WARRANTY

### WARRANTIES:

The seller warrants to the original using Buyer thereof that the goods sold under this Agreement are free from defects in workmanship and materials for a period of one year from the date of shipment to the original using Buyer. No other express warranties are given and no affirmation of Seller or Seller's agents by word or action shall constitute a warranty. No warranty is made for components and accessories made by others when such items are warranted by their respective manufacturers.

Installation or operation of the equipment in any manner other than as recommended by Seller, shall void the warranty.

Any variations in details between the goods furnished herein and those covered in Buyer's specifications are due to standards of manufacture not to be construed as exceptions to the specifications.

### DISCLAIMER OF IMPLIED WARRANTIES:

- (a) Seller makes no warranty of merchantability in respect to the goods sold under this agreement.
- (b) This sale is made without any warranty by seller that the goods are suitable for any particular purpose.
- (c) Buyer hereby waives all other warranties, guarantees, obligations, liabilities, rights, and remedies arising by law or otherwise including any obligation or liability of the Seller arising from tort, and Buyer shall indemnify Seller from any liability, loss, damage, or claim arising from Buyer's tortious use of the goods sold hereby.

### REMEDIES:

- (a) Under no conditions shall any goods be returned to Seller without its prior written consent.
  - (b) The Buyer's sole and exclusive remedy for breach of any warranty is limited to Seller furnishing, at its expense, duplicate or repaired parts F.O.B. Seller's plant with installation at Buyers expense if discovery of a claimed defect occurs during the allowable warranty period, and if Seller's inspection determines a defect exists.
  - (c) The quantity of material shown by invoice shall in all cases govern settlement for shortages, unless notice of shortage appropriately documented, is given to the carrier and the Seller upon delivery by the Carrier.
  - (d) Claims for errors, deficiencies or imperfections shall be deemed waived by the Buyer unless Seller is notified in writing of the basis of such claims within 10 days after discovery of claimed defect and such discovery occurs within the warranted period.
  - (e) Neither Buyer nor User shall be entitled under this Agreement to recover from Seller any incidental or consequential damages of any nature including but not limited to the cost of any labor expended by others in connection with the goods sold hereby by reason of any alleged nonconformity or breach of warranty on the part of the Seller, nor costs of material or account thereof, nor any lost profits whether determinable or speculative.
-



4202 Meridian St. Suite 100, Bellingham, WA 98226 | t. 360.392.0432 | f. 360.464.2544  
toll free 1.888.48.MAGNA | sales@magnalifting.com | www.magnalifting.com