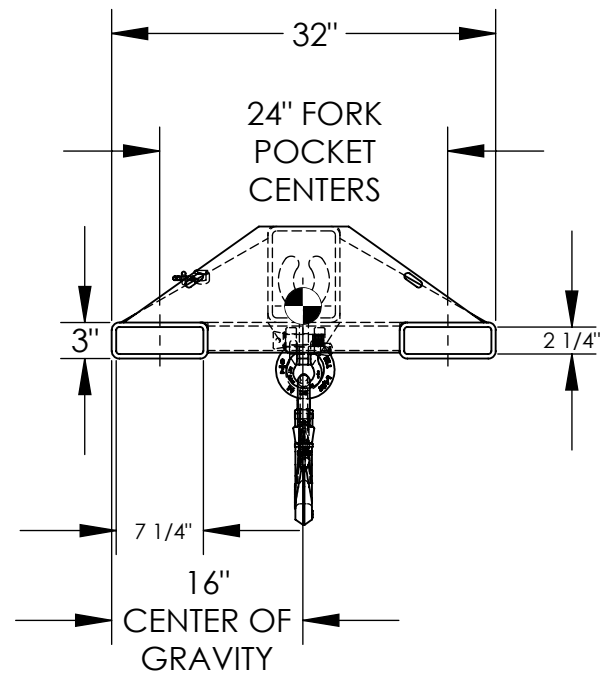
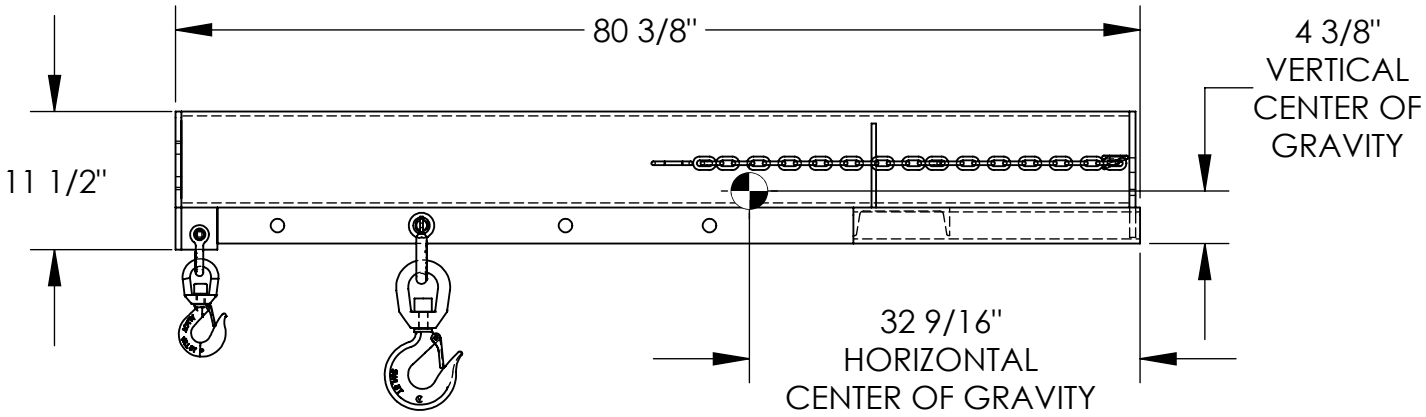


LIFT MASTER BOOM, ECONOMY BOOM, NON-TELESCOPING-LM-EBNT-8-24

APPROX WEIGHT: 433.01 lbs.
 DOES NOT INCLUDE WEIGHT OF POWER OR PACKAGING!!!

*** ANY ADDITIONS, DELETIONS, OR OMISSIONS MUST BE CORRECTED ON THIS DRAWING AS THIS DRAWING WILL BE CONSIDERED ALL INCLUSIVE ***
 ALL GRAPHICS PROVIDED ARE FOR REFERENCE ONLY. IF CERTAIN DIMENSIONS ARE CRITICAL PLEASE VERIFY THOSE DIMENSIONS WITH YOUR SALESPERSON



*--MAXIMUM SINGLE HOOK CAPACITIES

DISTANCE	36"	48"	60"	72"	78 1/2"
CAPACITY	8000	6650	6000	5300	4850

STANDARD FEATURES

- MODEL NUMBER IS LM-EBNT-8-24
- CAPACITY IS 8,000 LBS.
- OVERALL WIDTH IS 32"
- FORK POCKET CENTERS IS 24"
- OVERALL LENGTH IS 80 3/8"
- OVERALL HEIGHT IS 11 1/2"
- USABLE FORK POCKET IS 2 1/4" X 7 1/4"
- 36" MINIMUM HOOK POINT
- 78 1/2" MAXIMUM HOOK POINT
- TOUGH BAKED IN POWDER COATED BLUE FINISH

SPECIAL FEATURES

NONE

APPROX. WEIGHT / LOST LOAD = 433.01
 MINIMUM EFFECTIVE THICKNESS = LESS THAN 1"
 NEVER EXCEED LOAD CENTER
 RATING PER FORKTRUCK
 MANUFACTURERS GUIDELINES.
 DO NOT USE THIS FORK TRUCK
 ATTACHMENT IF LOAD WILL EXCEED
 FORK TRUCK MANUFACTURER'S
 LOAD CENTER RATING

DIMENSION TOLERANCE ± 1/4"

APPROVAL

I, THE UNDERSIGNED, AGREE THAT THE PRODUCT AS REPRESENTED SATISFIES DESIGN AND DIMENSION REQUIREMENTS. I ALSO ACKNOWLEDGE MY DUTY TO CONFIRM PRODUCT AND INSTALLATION COMPLIANCE WITH ALL APPLICABLE FEDERAL, STATE AND LOCAL REGULATIONS AND STANDARDS.

UNITS REQUIRING APPROVAL DRAWINGS OR MODIFIED ARE NON-RETURNABLE

[] As drawn [] As marked

Signed: _____ Date: _____

Printed Name: _____

LEAD TIME WILL START UPON RECEIPT OF SIGNED APPROVAL DRAWING

DISTRIBUTOR'S NAME:		P.O.#
VESTIL MANUFACTURING		X
DRAWN BY:	DATE:	W.O.#
B.NOTHNAGEL	7/30/2015	X
REFERENCE:	SCALE:	SALES:
X	1:16	X
QUOTED LEAD TIME:	QUOTE #	FILE NAME:
X	X	08-007-208