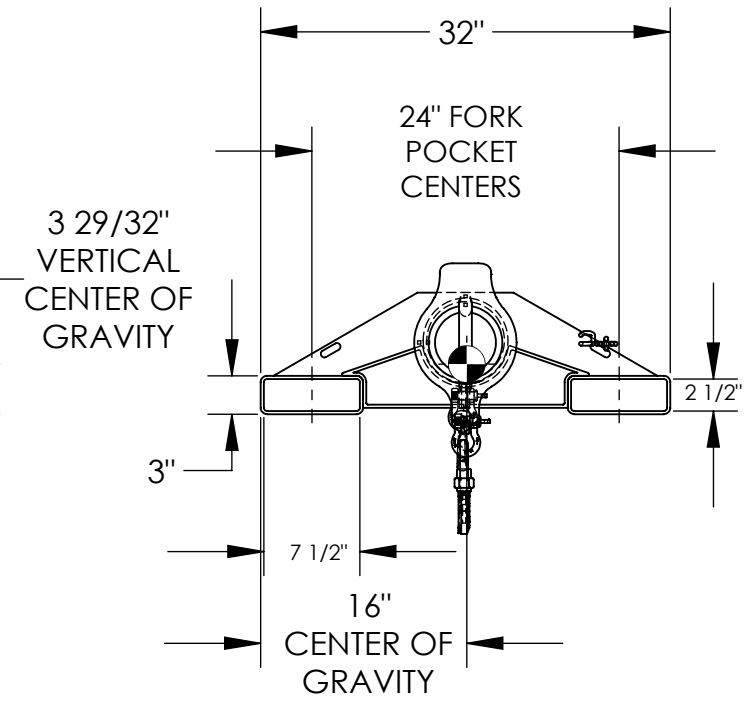
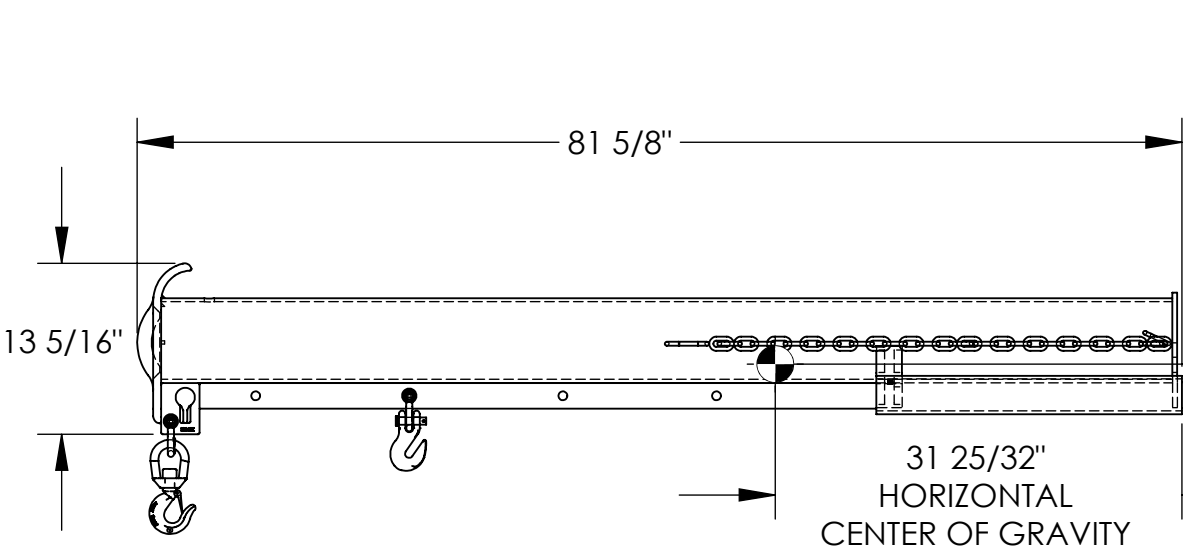


# LIFT MASTER BOOM, ECONOMY BOOM, NON-TELESCOPING-LM-EBNT-4-24

APPROX WEIGHT: 261.74 lbs. DOES NOT INCLUDE WEIGHT OF POWER OR PACKAGING!!!

\*\*\* ANY ADDITIONS, DELETIONS, OR OMISSIONS MUST BE CORRECTED ON THIS DRAWING AS THIS DRAWING WILL BE CONSIDERED ALL INCLUSIVE \*\*\*  
 ALL GRAPHICS PROVIDED ARE FOR REFERENCE ONLY. IF CERTAIN DIMENSIONS ARE CRITICAL PLEASE VERIFY THOSE DIMENSIONS WITH YOUR SALESPERSON



### \*--MAXIMUM SINGLE HOOK CAPACITIES

| DISTANCE | 36"  | 48"  | 60"  | 72"  | 79"  |
|----------|------|------|------|------|------|
| CAPACITY | 4000 | 3750 | 3500 | 3250 | 3000 |

DIMENSION TOLERANCE ± 1/4"

## STANDARD FEATURES

- MODEL NUMBER: LM-EBNT-4-24
- CAPACITY: 4,000 LBS
- OVERALL HEIGHT - 13 5/16"
- OVERALL LENGTH - 81 5/8"
- OVERALL WIDTH - 32"
- USABLE FORK POCKET - 2 1/2" X 7 1/2"
- 24" FORK POCKET CENTERS
- 36" MINIMUM HOOK POINT
- 79" MAXIMUM HOOK POINT
- TOUGH BAKED IN POWDER COATED BLUE FINISH

APPROX. WEIGHT / LOST LOAD = 261.74  
 MINIMUM EFFECTIVE THICKNESS = LESS THAN 1"  
 NEVER EXCEED LOAD CENTER  
 RATING PER FORKTRUCK  
 MANUFACTURERS GUIDELINES.  
 DO NOT USE THIS FORK TRUCK  
 ATTACHMENT IF LOAD WILL EXCEED  
 FORK TRUCK MANUFACTURER'S  
 LOAD CENTER RATING

## SPECIAL FEATURES

NONE

|  |  |               |
|--|--|---------------|
| <b>APPROVAL</b>  | I, THE UNDERSIGNED, AGREE THAT THE PRODUCT AS REPRESENTED SATISFIES DESIGN AND DIMENSION REQUIREMENTS. I ALSO ACKNOWLEDGE MY DUTY TO CONFIRM PRODUCT AND INSTALLATION COMPLIANCE WITH ALL APPLICABLE FEDERAL, STATE AND LOCAL REGULATIONS AND STANDARDS. |               |
|  | <b>UNITS REQUIRING APPROVAL DRAWINGS OR MODIFIED ARE NON-RETURNABLE</b>  |               |
|  | [ ] As drawn   | [ ] As marked |
|  | Signed: _____  | Date: _____   |
|  | Printed Name: _____  |               |
| LEAD TIME WILL START UPON RECEIPT OF SIGNED APPROVAL DRAWING |  |               |

|                       |             |                       |
|-----------------------|-------------|-----------------------|
| DISTRIBUTOR'S NAME:   |             | P.O.#                 |
| VESTIL MANUFACTURING  |             | X                     |
| DRAWN BY: B.NOTHNAGEL |             | DATE: 6/25/2015       |
| REFERENCE: X          | SCALE: 1:15 | SALES: X              |
| QUOTED LEAD TIME: X   | QUOTE # X   | FILE NAME: 08-007-003 |