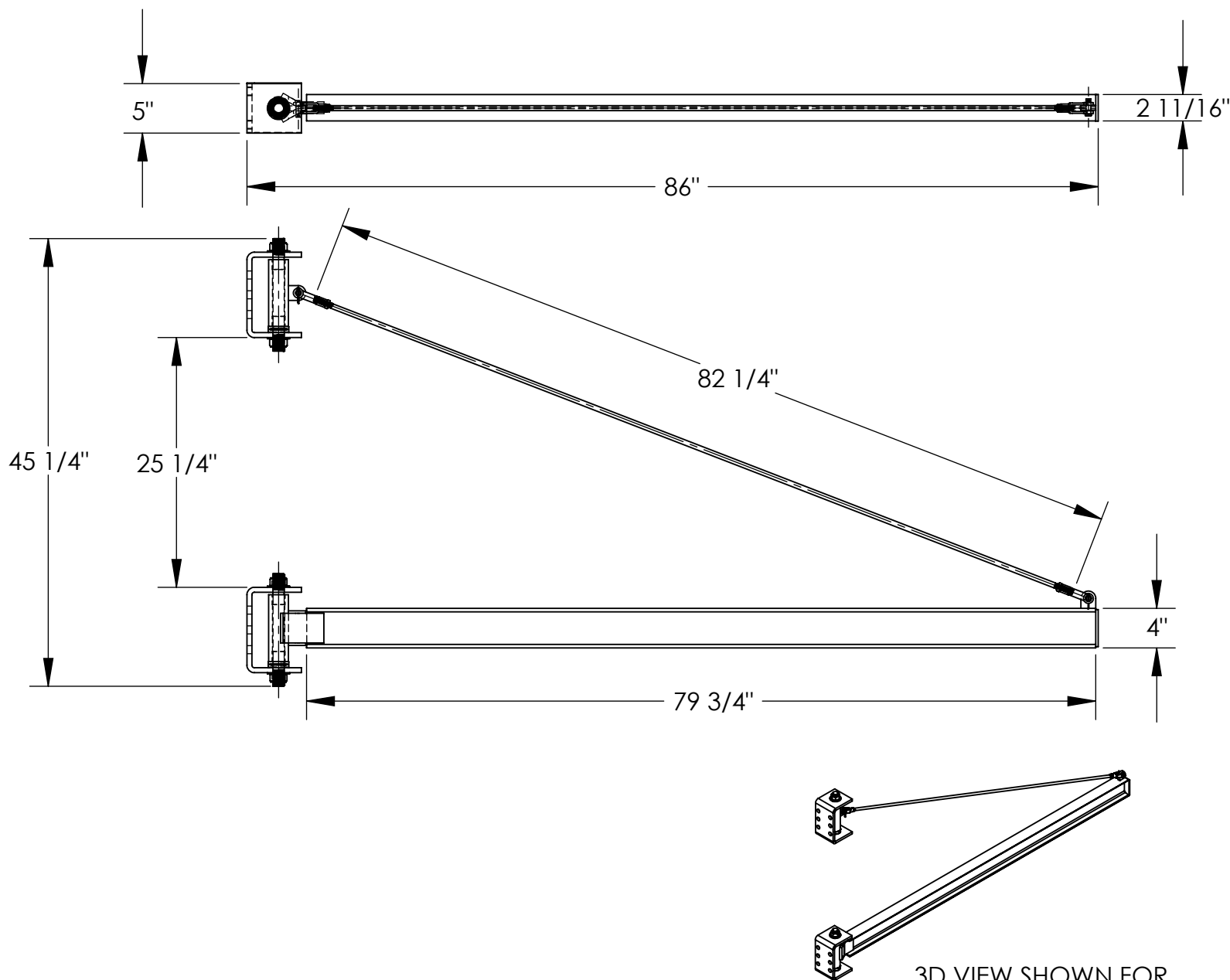


TIE ROD JIB (HIGH CEILING) - JIB-HC-6

APPROX WEIGHT: 101.94 lbs.
DOES NOT INCLUDE WEIGHT OF POWER OR PACKAGING!!!

ANY ADDITIONS, DELETIONS, OR OMISSIONS MUST BE CORRECTED ON THIS DRAWING AS THIS DRAWING WILL BE CONSIDERED ALL INCLUSIVE



ALL GRAPHICS PROVIDED ARE FOR REFERENCE ONLY. IF CERTAIN DIMENSIONS ARE CRITICAL PLEASE VERIFY THOSE DIMENSIONS WITH YOUR SALESPERSON

3D VIEW SHOWN FOR REFERENCE ONLY

STANDARD FEATURES

- MODEL NUMBER IS JIB-HC-6
- CAPACITY IS 600 LBS.
- OVERALL WIDTH IS 5"
- OVERALL LENGTH IS 86"
- USABLE I-BEAM LENGTH IS 79 3/4"
- OVERALL HEIGHT IS 45 1/4"
- TIE ROD LENGTH IS 82 1/4"
- I-BEAM SIZE:
4" HEIGHT X 2 11/16" FLANGE WIDTH
- 180° I-BEAM ROTATION
- DURABLE LIQUID PAINT BLUE FINISH

SPECIAL FEATURES

NONE

A P P R O V A L	I, THE UNDERSIGNED, AGREE THAT THE PRODUCT AS REPRESENTED SATISFIES DESIGN AND DIMENSION REQUIREMENTS. I ALSO ACKNOWLEDGE MY DUTY TO CONFIRM PRODUCT AND INSTALLATION COMPLIANCE WITH ALL APPLICABLE FEDERAL, STATE AND LOCAL REGULATIONS AND STANDARDS.	
	UNITS REQUIRING APPROVAL DRAWINGS OR MODIFIED ARE NON-RETURNABLE	
	[] As drawn	[] As marked
	Signed: _____	Date: _____
	Printed Name: _____	
	LEAD TIME WILL START UPON RECEIPT OF SIGNED APPROVAL DRAWING	

DISTRIBUTOR'S NAME:		P.O.#
VESTIL MANUFACTURING		X
		W.O.#
		X
DRAWN BY: ND	DATE: 12/13/11	SALES: X
REFERENCE: X	SCALE: 1:15	FILE NAME:
QUOTED LEAD TIME: X	QUOTE # X	28-007-025-001