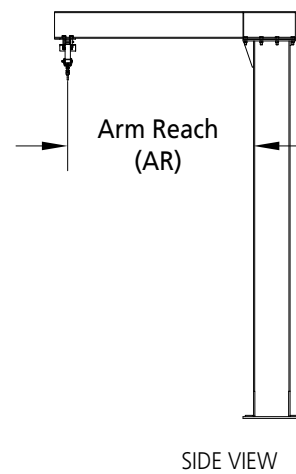
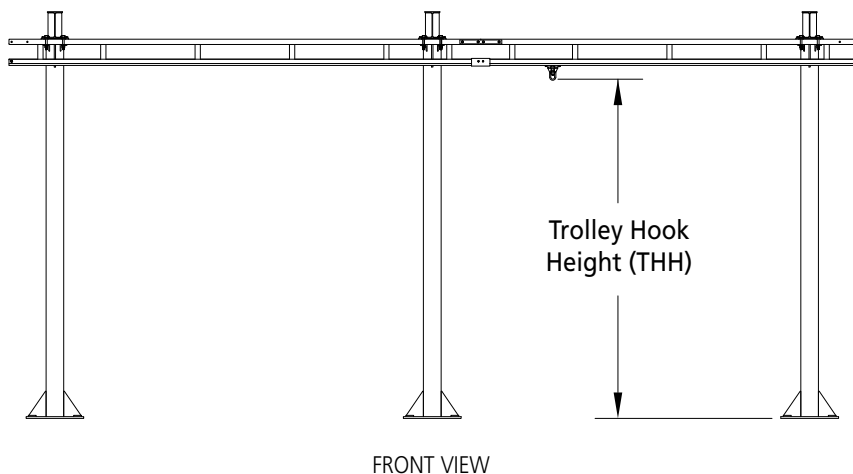
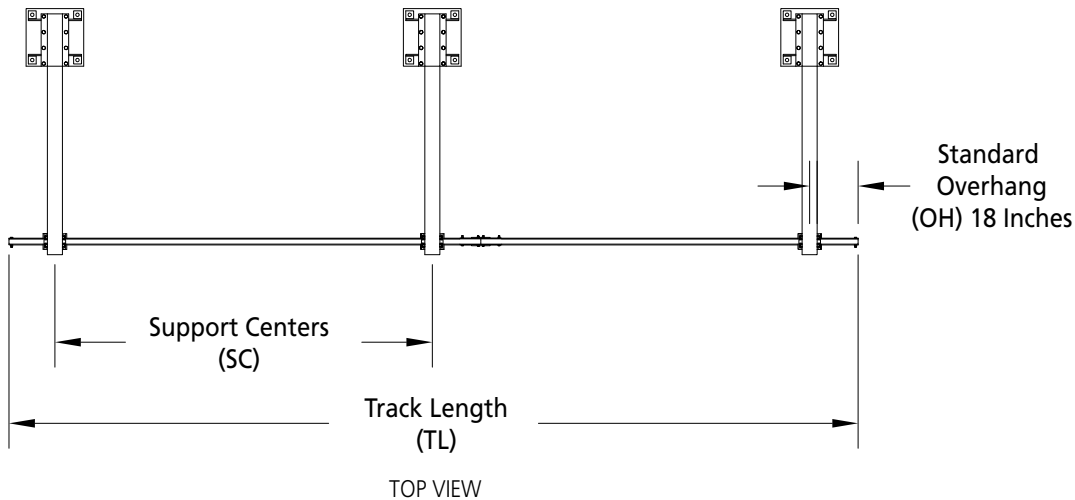
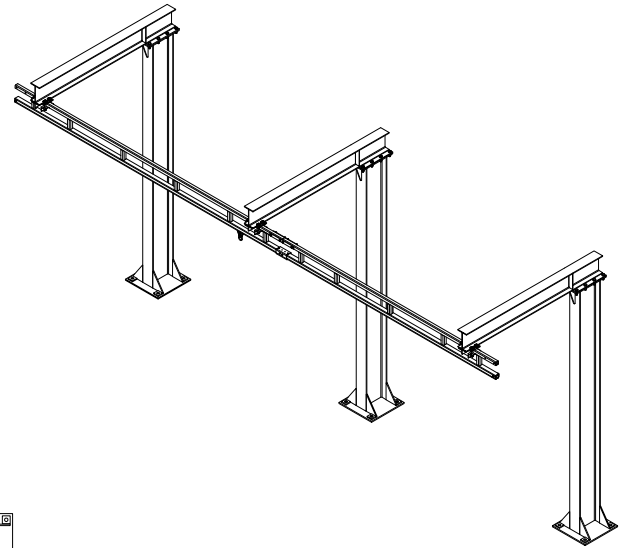


# INVERTED-L

## Anchor Track™ System Field Worksheet

**ATTENTION:** Measure dimensions with a **tape measure** for fastest order processing.

Please complete this worksheet with as much information as is available and fax to 610-286-0085 or email to sales@spanco.com. Requests submitted with correct, complete information will be processed the fastest. If you have any questions or problems concerning the completion of this form, please contact one of our Technical Sales Support Specialists at 800-869-2080. Any available drawings, photographs, sketches, or blueprints of the installation area(s) should also be sent.



**NOTE:** See *Track Profile Details and Support Centers Requirements* in the Rigid Lifelines Price Guide for maximum support centers and maximum overhang dimensions.