

# HEADERLESS

## BRIDGE CRANE AND MONORAIL SYSTEMS

### Assembly and Maintenance Instruction Manual





## WARNING

# SPANCO CONDITIONS OF USE AND WARNING STATEMENT

1. Read, understand, and follow the manual, assembly drawings, and warnings provided with your system **before** beginning installation. Follow all instructions carefully.
2. This manual, and any other instructions, must be provided to the users of this equipment. The user must understand the equipment's proper use and limitations.
3. This crane is engineered to accommodate a standard hoist and a standard hoist weight. The standard hoist weight is calculated at 15% of the crane's rated capacity. Please inform Spanco, Inc. if hoist weight exceeds 15% of the crane's rated capacity, or if the lifting speed exceeds 50 FPM.
4. Each component and system must be employed and maintained in accordance with all OSHA, ANSI, and CMAA standards.
5. Per OSHA, ANSI, and CMAA requirements, designate a competent person who can fulfill obligations of all regulations.
6. The rated capacity is displayed on a label on the system. Exceeding the capacities displayed on this label can result in serious injury or death.
7. Always check for overhead hazards, such as power lines, trees, equipment, overhead structures, or walls, before using or moving a portable system.
8. Never use this system as fall protection or for lifting, hoisting, or carrying personnel.
9. Although Spanco, Inc. may provide components that are intended for service in a specific environment, it is the customer's responsibility to confirm that the provided Spanco system and components will work in and are acceptable for their specific application and environment.
10. **Before each use**, inspect the system for bent, broken, cracked, or missing components.
11. Thoroughly inspect the system **annually** per OSHA law.
12. There should never be any type of loading past the end stops for any reason.
13. For foundation-mounted systems, bracing is not required for non-seismic applications. However, if any sway is perceived as undesirable, lateral bracing can be installed to the system by others. To achieve desired rigidity for a specific application, Spanco, Inc. recommends consulting a professional engineer in your area to satisfy all codes and ordinances. For foundation-mounted systems, chemical anchor bolts supplied by others are required and must provide approximately 7000-pound pull-out force. More accurate pull-out forces are available upon request.
14. Engineering of any attachment points must be done by others.
15. Component appearances and dimensions shown are approximate and subject to change without notice. All catalog dimensions are developed using standard components for the spans and capacities. Substitution of optional trolleys or other components will affect certain dimensions.
16. Spanco cranes are designed to lift loads straight up and down. Never load the track at an angle.
17. On Headerless Bridge Crane Systems, always position the bridge(s) directly overhead of load(s) at all times.
18. Never deviate from the above unless you have written permission and authorization from Spanco, Inc.



## **WARNING**

Follow the Inspection Checklists in this manual: review the first checklist before each use and the second checklist for annual inspections.

## **SYSTEM APPLICATIONS**

The Spanco System is used for material handling applications. This material handling system is labeled with a maximum rated capacity and is designated for service according to MMA; follow all limitations as noted on system labels.

## **STANDARDS AND COMPLIANCE**

Please refer to local, state, and federal (OSHA) requirements governing occupational safety for additional information regarding material handling. The Spanco System meets or exceeds the requirements set forth in OSHA 1910.179, ANSI B30.11, and MMA MH27.2.

## **REQUIRED TRAINING**

This system is intended to be used by people who are trained in its correct application and use. It is the responsibility of the users and the users' management to assure that they are familiar with OSHA law and these instructions, and that they are trained in the correct use and care of this equipment. Authorized users must also be aware of the operating characteristics, application limits, and the consequences of improper use, which can result in serious injury or death.

Every material handling application must be part of a comprehensive managed lift plan. A managed lift plan must include, but is not limited to:

- Hazard analysis
- Operator certification training
- Operator evaluation program
- Hand signal protocols
- Lock-out/Tag-out training

The above list is not a comprehensive list. Specific applications may need to include additional items, such as administrative controls or engineered controls. A Qualified Engineer or OSHA Qualified Person should review the comprehensive managed lift plan to ensure that it is adequate for your specific application. CMAA 79 Crane Operator's Manual must be read and followed in its entirety to help ensure worker safety and to create a comprehensive lift plan within your facility.

# TABLE OF CONTENTS

<b>CONDITIONS OF USE AND WARNINGS STATEMENT</b> .....	<b>i-ii</b>
<b>SYSTEM APPLICATIONS</b> .....	<b>ii</b>
<b>STANDARDS AND COMPLIANCE</b> .....	<b>ii</b>
<b>REQUIRED TRAINING</b> .....	<b>ii</b>
<b>ASSEMBLY INSTRUCTIONS</b> .....	<b>2</b>
1. Equipment Needed for Assembly .....	<b>2</b>
2. Inventory .....	<b>2</b>
<b>IMPORTANT DIMENSIONS FOR HEADERLESS BRIDGE CRANE INSTALLATIONS</b> .....	<b>3-4</b>
<b>IMPORTANT DIMENSIONS FOR HEADERLESS MONORAIL CRANE INSTALLATIONS</b> .....	<b>5-6</b>
<b>PREPARATION</b> .....	<b>7</b>
<b>COLUMN INSTALLATION</b> .....	<b>7</b>
<b>RUNWAY AND BRACKET INSTALLATION</b> .....	<b>7</b>
<b>BRIDGE END TRUCK INSTALLATION</b> .....	<b>8</b>
<b>RUNWAY END STOP INSTALLATION</b> .....	<b>8</b>
<b>HOIST INSTALLATION</b> .....	<b>9</b>
<b>ADJUSTABLE METHOD OF COLUMN ANCHORAGE</b> .....	<b>9</b>
<b>WARNINGS AND MAINTENANCE</b> .....	<b>10-11</b>
<b>DESIGN FACTORS</b> .....	<b>11</b>
<b>RUNWAY ALIGNMENT TOLERANCE</b> .....	<b>12</b>
<b>WORKSTATION BRIDGE CRANE INSPECTION CHECKLISTS</b> .....	<b>13</b>
Before Each Use Inspection Checklist .....	<b>13</b>
Periodic Inspection Checklist .....	<b>14</b>
<b>LABELING</b> .....	<b>15</b>
<b>PRODUCT WARRANTY COVERAGE AND SERVICE POLICY</b> .....	<b>16</b>
<b>ABOUT SPANCO</b> .....	<b>BACK COVER</b>

# ASSEMBLY INSTRUCTIONS

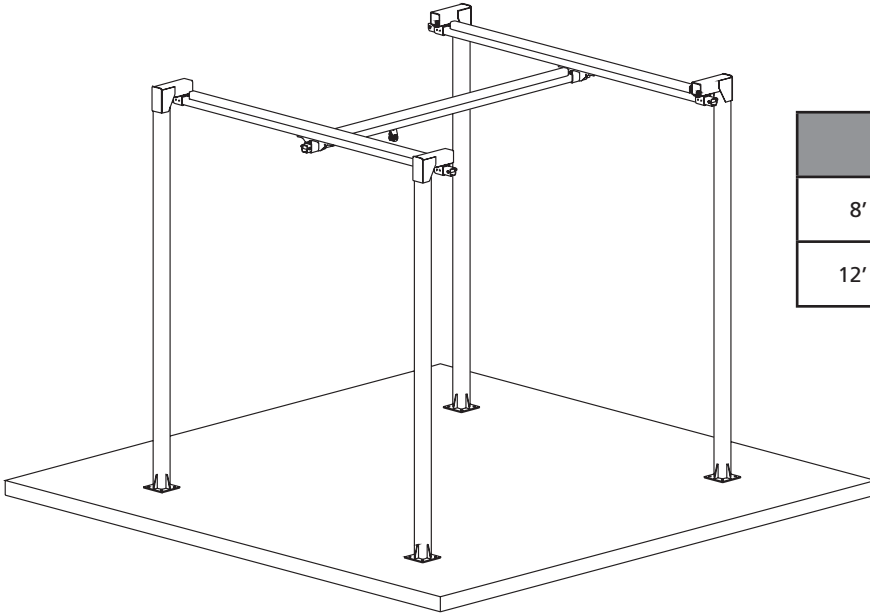
## 1. Equipment Needed for Assembly

- a) This manual
- b) Applicable safety equipment for workers' use during assembly, such as hard hats, safety shoes, etc.
- c) Telescoping fork truck or crane (minimum lifting height: determined by installed system height; minimum capacity: 4,000 pounds)
- d) Man lift/cherry picker (minimum height: determined by installed system height)
- e) Measuring tape
- f) Torque wrench
- g) Lifting straps
- h) Two six-inch by six-inch (or larger) wood blocks
- i) Long carpenter's level or laser level
- j) Wrench/sockets sizes: 3/4 inch, 15/16 inch, and 1-1/8 inch
- k) A spacious, level area for assembly (e.g., parking lot)
- l) A way to mark hanger locations, such as a permanent marker

## 2. Inventory

- a) Open all bundles and confirm that all components are accounted for: see *Building Materials Description* located in the top right corner of the Headerless Bridge Crane and Monorail Assembly Drawing. Note that the quantity of components in an assembly are multiplied by the number of the assemblies.
- b) Check for damage to components that may have occurred during shipping.

**HEADERLESS BRIDGE CRANE SYSTEM**

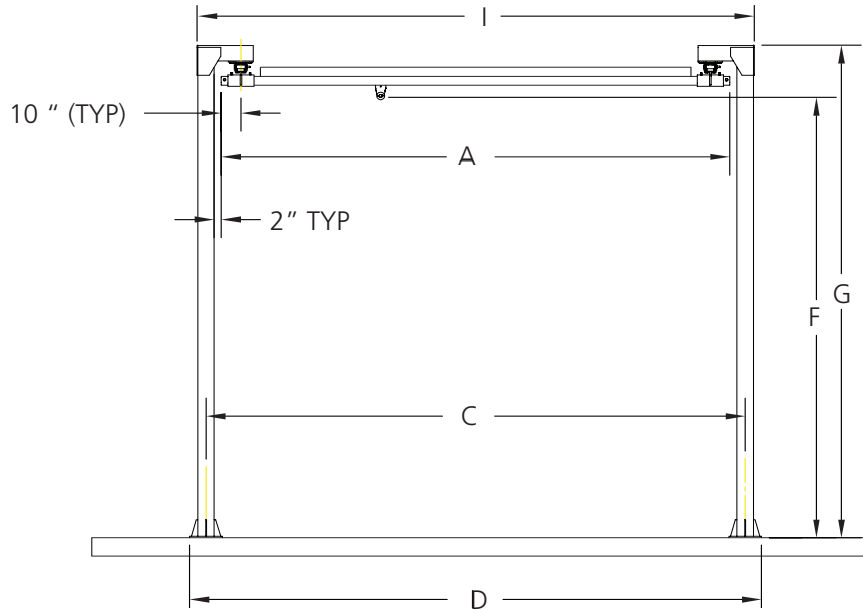


	A	B
8' BRIDGES OR 8' RUNWAYS	8' 0"	6' 4"
12' BRIDGES OR 12' RUNWAYS	12' 0"	10' 4"

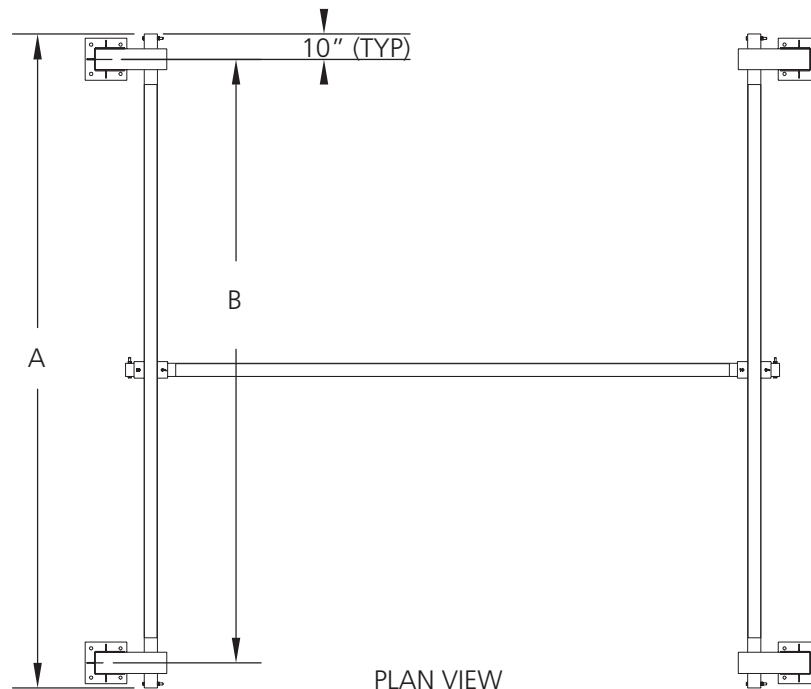
CAPACITY (LBS)	F TCH (TROLLEY CLEVIS HEIGHT)	C	D	G	I	MAX BOLT LOADING (LBS)
100/250	10' 0" Nominal	8' 7" (8' Bridge) 12' 7" (12' Bridge)	9' 3" (8' Bridge) 13' 3" (12' Bridge)	10' 11"	8' 11" (8' Bridge) 12' 11" (12' Bridge)	300 (100 LBS Capacity) 600 (250 LBS Capacity)
100/250	12' 0" Nominal	8' 7" (8' Bridge) 12' 7" (12' Bridge)	9' 3" (8' Bridge) 13' 3" (12' Bridge)	12' 11"	8' 11" (8' Bridge) 12' 11" (12' Bridge)	300 (100 LBS Capacity) 600 (250 LBS Capacity)
100/250	14' 0" Nominal	8' 7" (8' Bridge) 12' 7" (12' Bridge)	9' 3" (8' Bridge) 13' 3" (12' Bridge)	14' 11"	8' 11" (8' Bridge) 12' 11" (12' Bridge)	300 (100 LBS Capacity) 600 (250 LBS Capacity)
500	10' 0" Nominal	8' 8" (8' Bridge) 12' 8" (12' Bridge)	9' 6" (8' Bridge) 13' 6" (12' Bridge)	11' 2"	9' 1" (8' Bridge) 13' 1" (12' Bridge)	900
500	12' 0" Nominal	8' 8" (8' Bridge) 12' 8" (12' Bridge)	9' 6" (8' Bridge) 13' 6" (12' Bridge)	13' 2"	9' 1" (8' Bridge) 13' 1" (12' Bridge)	900
500	14' 0" Nominal	8' 8" (8' Bridge) 12' 8" (12' Bridge)	9' 6" (8' Bridge) 13' 6" (12' Bridge)	15' 2"	9' 1" (8' Bridge) 13' 1" (12' Bridge)	900
1000	10' 0" Nominal	8' 9" (8' Bridge) 12' 9" (12' Bridge)	9' 7" (8' Bridge) 13' 7" (12' Bridge)	11' 5"	9' 3" (8' Bridge) 13' 3" (12' Bridge)	1700
1000	12' 0" Nominal	8' 9" (8' Bridge) 12' 9" (12' Bridge)	9' 7" (8' Bridge) 13' 7" (12' Bridge)	13' 5"	9' 3" (8' Bridge) 13' 3" (12' Bridge)	1700
1000	14' 0" Nominal	8' 9" (8' Bridge) 12' 9" (12' Bridge)	9' 7" (8' Bridge) 13' 7" (12' Bridge)	15' 5"	9' 3" (8' Bridge) 13' 3" (12' Bridge)	1700

- Six-inch reinforced concrete is required for proper installation of system columns.
- Properly sized anchor bolts are supplied by others.
- Side loading of bridge or trolley is not allowed.

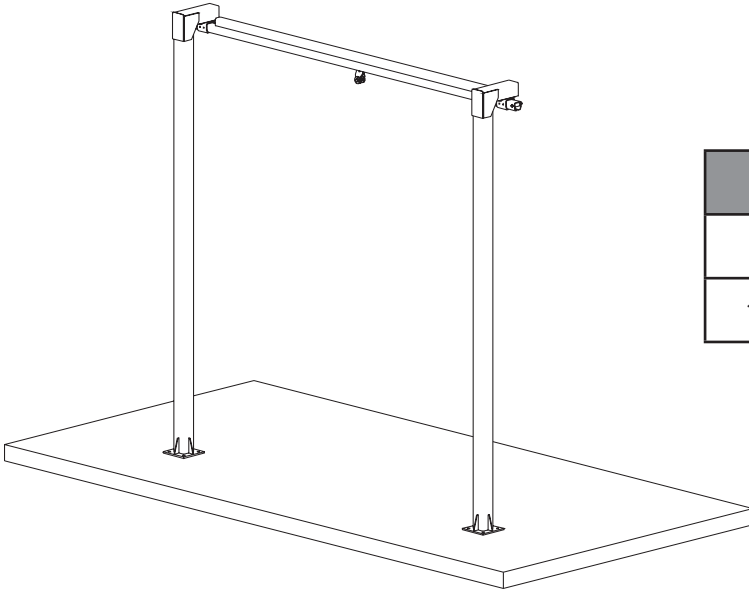
**HEADERLESS BRIDGE CRANE SYSTEM (CONTINUED)**



- 4 Column Kits: (ex. (4) SU3-10-CK)
  - 2 Runway Kits: (ex. (2) RBR100-12-RK)
  - 1 Bridge Kit Containing 1 Hoist Trolley: (ex. (1) RBR100-12-BK)
- Concrete foundation and anchor bolts are provided by others.*



**HEADERLESS MONORAIL CRANE SYSTEM**



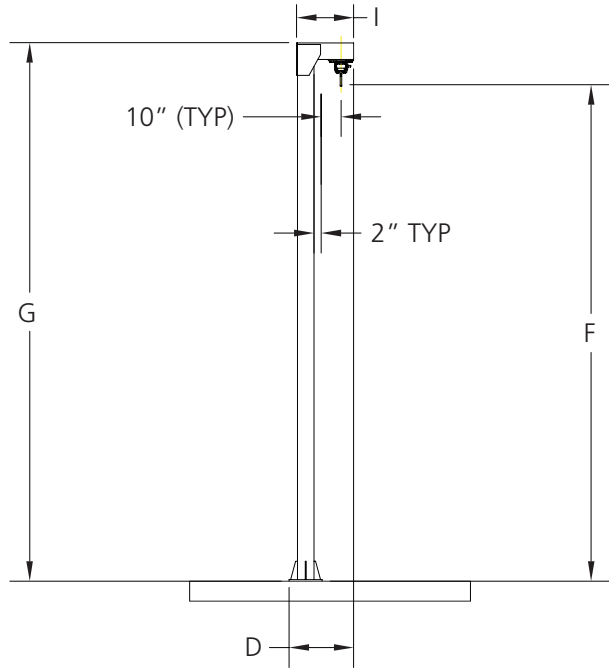
	A	B
8' BRIDGES OF 8' RUNWAYS	8' 0"	6' 4"
12' BRIDGES OR 12' RUNWAYS	12' 0"	10' 4"

CAPACITY (LBS)	F TCH (TROLLEY CLEVIS HEIGHT)	D	G	I	MAX BOLT LOADING (LBS)
100/250	10' 0" Nominal	1' 10"	10' 11"	1' 8"	300 (100 LBS Capacity) 600 (250 LBS Capacity)
100/250	12' 0" Nominal	1' 10"	12' 11"	1' 8"	300 (100 LBS Capacity) 600 (250 LBS Capacity)
100/250	14' 0" Nominal	1' 10"	14' 11"	1' 8"	300 (100 LBS Capacity) 600 (250 LBS Capacity)
500	10' 0" Nominal	2' 0"	11' 2"	1' 8"	900
500	12' 0" Nominal	2' 0"	13' 2"	1' 8"	900
500	14' 0" Nominal	2' 0"	15' 2"	1' 8"	900
1000	10' 0" Nominal	2' 1"	11' 5"	1' 11"	1700
1000	12' 0" Nominal	2' 1"	13' 5"	1' 11"	1700
1000	14' 0" Nominal	2' 1"	15' 5"	1' 11"	1700

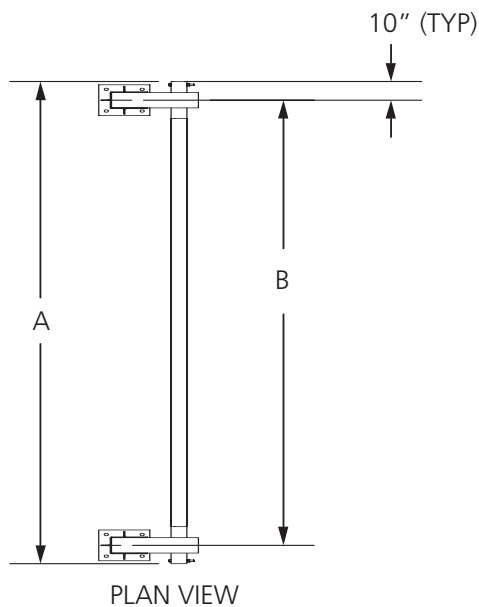
- Six-inch reinforced concrete is required for proper installation of system columns.
- Properly sized anchor bolts are supplied by others.
- Side loading of bridge or trolley is not allowed.



**HEADERLESS MONORAIL CRANE SYSTEM (CONTINUED)**



- 2 Column Kits: (ex. (2) SU3-10-CK)
  - 1 Runway Kit: (ex. (1) RBR100-12-RK)
  - 0 Bridge Kits
  - 1 Hoist Trolley: (ex. (1) 1418-K836)
- Concrete foundation and anchor bolts are provided by others.*



## 1. Preparation

- a) Before starting the installation, check the material list to be sure you have received all parts. The anchor bolts for the support columns are not included. Four 7/8" diameter holes are provided for anchor bolts, furnished by others, as required. When the system is properly mounted to the specified concrete, the system may exhibit slight swaying. If absolute rigidity is desired, sway bracing to a building may be used. Sway bracing is also furnished by others.

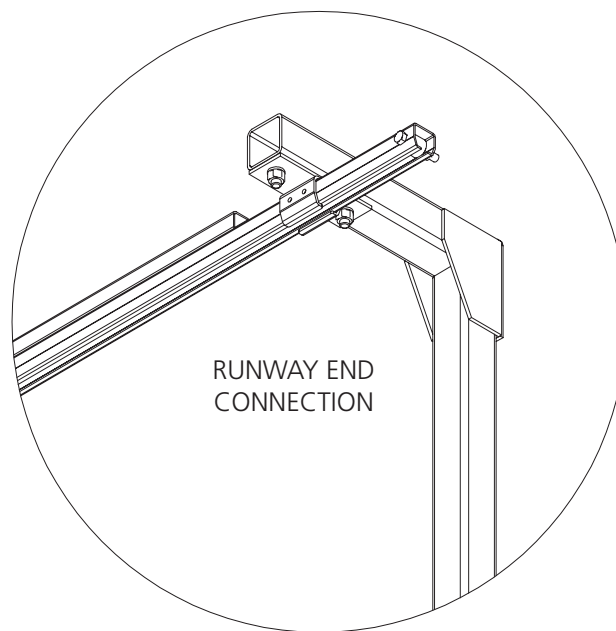
## 2. Column installation

- a) Refer to the previous pages for dimensions to aid column layout. Be sure the columns are correctly positioned for proper runway and/or bridge installation for later.
- b) Bolt the columns to the floor as required. (See Pg. 9 for an adjustable method of column anchorage - optional only)

## 3. Runway and bracket installation

- a) Attach two set screws to temporarily hold the two brackets.
- b) Position the runway up to the headers and bolt with the provided 5/8" or 3/4" bolts, nuts, and lock washers. Use 108 ft-lbs for 5/8" bolts, and 196 ft-lbs for 3/4" bolts. Use 10" runway overhangs on each end (see Fig. 2).
- c) After the 5/8-inch or 3/4-inch bolts are tightened, tighten the bracket set screws. The two center top set screws should be tightened slightly to push the tracks against the base of the sleeve. Tighten all top set screws, then tighten all side set screws for correct track alignment.

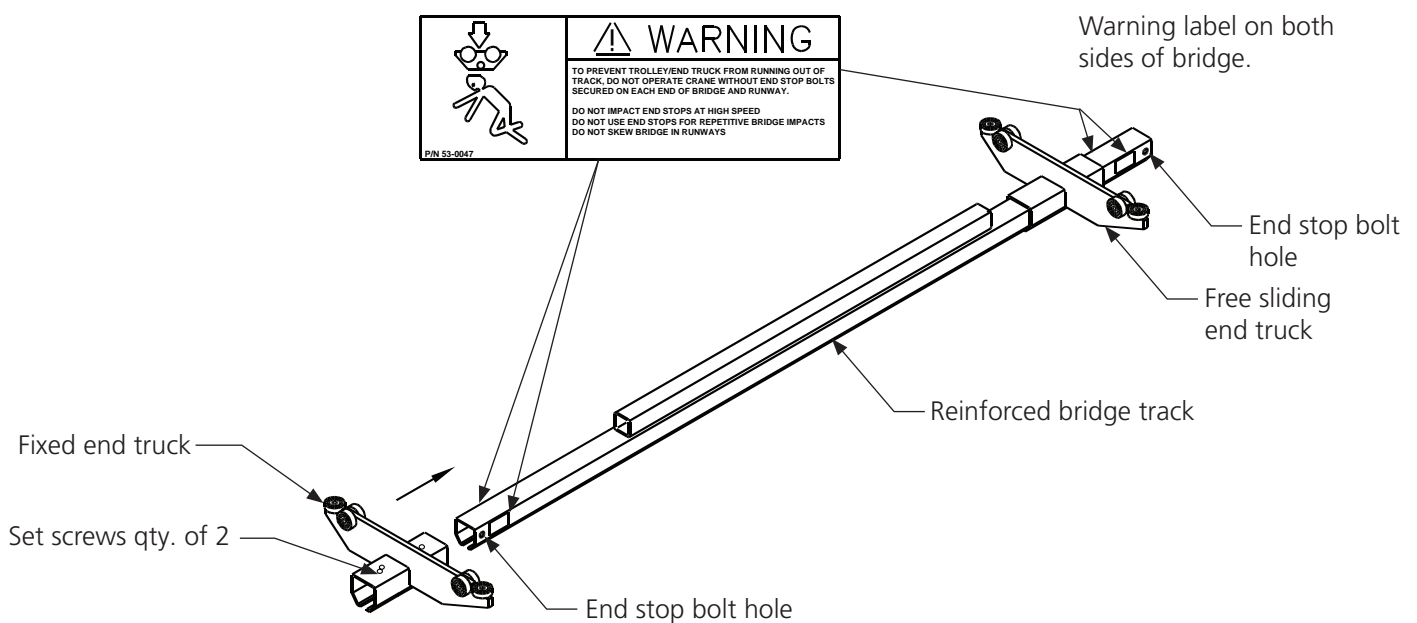
**Figure 2**



#### 4. Bridge end truck installation

- a) Insert the bridge track into the sleeves of the end trucks. Locate the center of the end trucks approximately 10 inches from each end of the bridge. One end truck is secured to the bridge track with set screws, furnished with the sleeve. The other end truck is allowed to slide freely on the bridge track in order to accommodate any slight misalignment between the parallel runway tracks (see Fig. 3).
- b) Install the bridge crane by inserting the end trucks into the runway tracks at one end of the runway.
- c) Adjust and tighten the bridge end truck set screws to provide a minimum clearance of two inches between the ends of the bridge and the support columns.

Figure 3



#### 5. Runway end stop installation

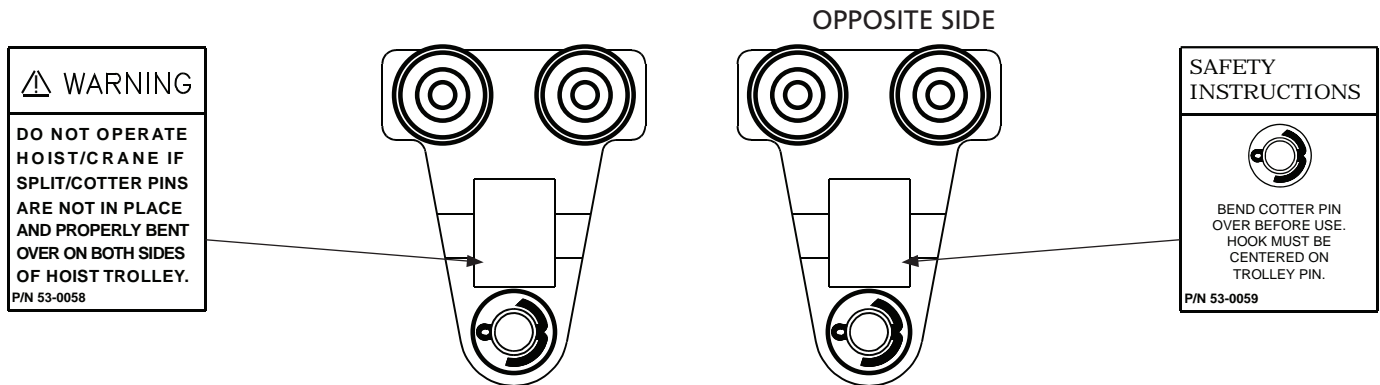
- a) Secure end stop assemblies, end stop bolts, and lock nuts at both ends of runway tracks and at both ends of the bridge (where applicable).
- b) Once installation is completed, the bridge and runways should be leveled. The total system should then be checked for tightness of all nuts and bolts.

## 1. Hoist installation

- a) Attach hoist to hoist trolley. **Use washers on hoist mounting pin to center hoist inside hoist trolley. Reinstall washer on outside of hoist trolley (both sides) before installing or reinstalling cotter pins to secure hoist mounting pin.** Replace cotter pin(s) if worn or broken. Bend cotter pin around mounting pin (see Fig. 4).

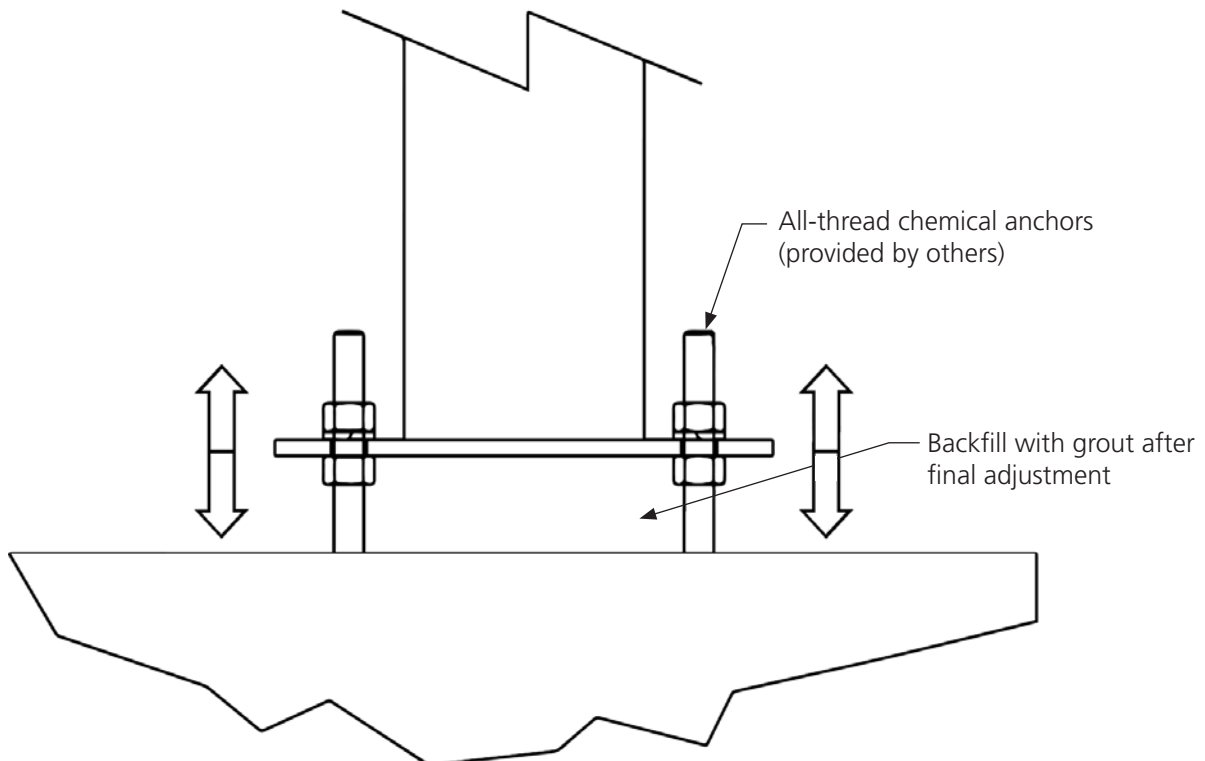
**WARNING:** Do not operate hoist or crane if cotter pins are not in place and properly bent over on both sides of the hoist trolley. Check regularly that the cotter pins are in place and securing the hoist on the hoist trolley.

Figure 4



## ADJUSTABLE METHOD OF COLUMN ANCHORAGE (OPTIONAL)

Adjust column height by adjusting nut height



**⚠️ WARNING**

**DO NOT SLAM BRIDGE OR TROLLEY AT ANY TIME!**

**WARNING, SAFETY, OR CAPACITY LABELS**

If at any time these labels are lost, stolen, removed, or become illegible, contact Spanco at 800-869-2080 for free replacements. Please order by part number on the label or by the facsimiles in this manual.

**ACCEPTANCE TEST**

After the workstation crane or monorail system has been installed, OSHA requires an acceptance test before operating and after any modifications. This acceptance test should be performed by an authorized dealer or installer.

**IMPORTANT MAINTENANCE INFORMATION**

At the end of the first month after a new installation, an inspection of the system should be performed. All nuts, bolts, and screws should be checked for tightness. All end stops, cotter pins, and hoist trolleys should be checked for abnormal wear or breakage. Check all track splices for alignment and that end trucks travel smoothly through the joints. Adjust as necessary.

Thereafter, a complete inspection of all fasteners and connections should be performed annually or every 2,000 hours, whichever comes first. It is important to note that every system application and use will be different, therefore some conditions of use could require more frequent inspection. Examples of such conditions might be two or three shift operations, high repetition, or fast movement of the crane.

It is expected that every time an operator uses a workstation crane or monorail system, they will visually inspect the crane system before using it and note any unusual or abnormal operation of the system while using it. Meticulous, careful operation of the system will help minimize maintenance.

<b>ITEM</b>	<b>CHECK</b>
Nuts, bolts, screws, endstops cotter pins, hoist trolley(s), track, supports	Tightness
Track and supports	Abnormal wear or breakage
Track splices	Alignment and smooth travel through joints

## **MAINTENANCE**

1. A system inspection should be performed 30 days after installation. All nuts, bolts, and screws should be checked for tightness. All end stops, cotter pins, and hoist trolleys should be checked for abnormal wear or breakage. Check track for alignment and verify that end trucks travel smoothly through the entire track.
2. A complete inspection of all fasteners and connections should be performed annually or every two thousand (2,000) hours. Heavy conditions of use may require more frequent inspections.
3. Operators should visually inspect the system before each use to note any unusual or abnormal system operations.
4. **If the system fails ANY inspection point on any of the inspection checklists, immediately remove the system from service and call Spanco, Inc.<sup>®</sup> at 800-869-2080 for instructions.**
5. Download and print additional blank inspection checklists from the literature tab at Spanco.com.

## **DESIGN FACTORS**

Nameplate bridge capacities represent the rated load on the hoist hook. The load rating of a hoist shall not exceed the bridge rating. Spanco's design includes an allowance of 15% of nameplated capacity for trolley and hoist deadweight. An additional 25% of nameplate capacity is also included for impact.

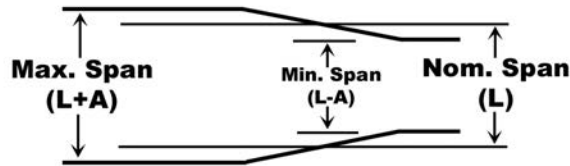
## **SERVICE FACTOR**

All Spanco workstation cranes are designed for moderate usage (Class C Normal/Industrial service) as defined:

- System or equipment is used where lifted loads average 50 percent of the rated capacity with five to ten lifts per hour, averaging 15 feet, not over 50 percent of the lifts at rated capacity.
- Applications involving vacuums, magnets, or other high-impact lifters are considered severe usage and require special design considerations. Contact Spanco, Inc. for special design pricing.
- Consult Spanco, Inc. for usage other than moderate and all instances of high cycle rates or high-impact applications such as high-speed air or electric hoists, vacuum lifters, or magnets.

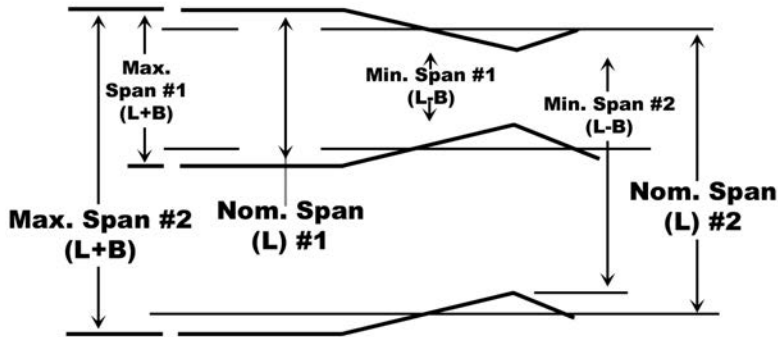
**RUNWAY ALIGNMENT TOLERANCE**

Span  
(2 Runway)



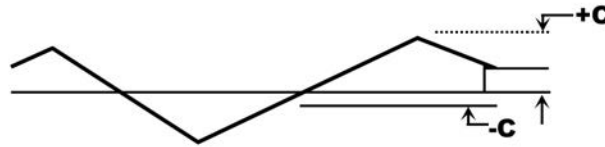
A=3/16" in any support span

Span  
(3 or more Runways)



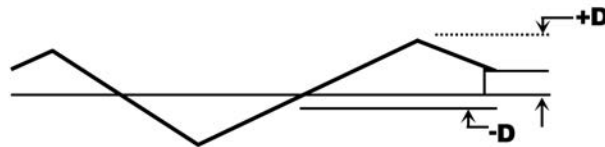
B=3/16" in any support span

Straightness



C=1/4" in any support span

Elevation



D=1/4" in any support span

Rail to Rail Elevation



E=1/4" between adjacent rails

Because Spanco Enclosed Track Systems provide a very high ease of movement, Spanco recommends bridge and runway slope of no more than 1/4" in 20' 0" to prevent bridge trolley drifting. Diagrams courtesy of Monorail Manufacturers Association MH27.1 and MH 27.2.

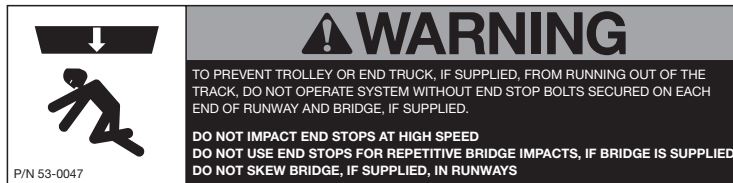
**LABELING**

The letters correspond to the accompanying labels. All labeling must be legible and attached to the system. For replacement labels, contact Spanco, Inc.

**SPANCO, INC. LABEL PLACEMENT DISCLAIMER**

If system is shipped unpainted or without properly secured labels, proper label placement is the sole responsibility of the end user. Spanco, Inc. cannot be held liable for any damage or injury resulting from omitted or improper label placement.

**"A"**



P/N 53-0047

**"B"**



P/N 53-0045

**"E"**



**"C"**



P/N 53-0023

**"D"**



P/N 53-0048

**Notes on Label Placement Drawing**

- Label **53-0047 "A"** should be placed on both ends of the lower section of trussed track on both sides of each track section and at each end of the bridge on both sides.
- Label **53-0045 "B"** should be centered on the lower section of the bridge on both sides and is **P/N 53-0045** for 1000-pound capacity systems, **53-0044** for 500-pound capacity systems, **53-0043** for 250-pound capacity systems, and **53-0068** for 100-pound capacity systems.
- Label **53-0023 "C"** should be placed to the left of label **"B"** on the lower section of the bridge on both sides.
- Label **53-0048 "D"** should be centered on the reinforced bridge for Headerless Bridge Crane Systems or centered on the reinforced runway for Headerless Monorail Systems.
- Label **"E"** should be placed on every other column near the base of the column. Label **"E"** should also be placed on every bridge and every other runway for Headerless Bridge Crane Systems or centered on the monorail for Headerless Monorail Systems.



# BEFORE EACH USE WORKSTATION BRIDGE CRANE SYSTEM INSPECTION CHECKLIST

Inspector Name: \_\_\_\_\_

Date: \_\_\_\_\_

System Number: \_\_\_\_\_

Model: \_\_\_\_\_

INSPECTION POINTS	Inspection Result (✓)	
	PASS	FAIL
1. Inspect hoist per manufacturer's instructions.		
2. Verify that the trolley(s) can easily and smoothly roll the full length of the bridge(s).		
3. Verify that the end trucks can easily and smoothly roll the full length of the runway tracks.		
4. Verify that the set screws on the fixed end truck are securely tightened.		
5. Check all system welds for cracks.		
6. Check system components for corrosion.		
7. Check system components for bent or damaged areas.		
8. Check support structure for stability.		
9. Visually check all bolted assemblies for proper connections and properly secured bolts and nuts.		

©2020. All Rights Reserved. All specifications and product designs subject to change without prior notice.

# PERIODIC WORKSTATION BRIDGE CRANE SYSTEM INSPECTION CHECKLIST

Inspector Name: \_\_\_\_\_

Date: \_\_\_\_\_

System Number: \_\_\_\_\_

Model: \_\_\_\_\_

INSPECTION POINTS	Inspection Result (✓)	
	PASS	FAIL
1. Check that the beam clamps, if supplied, are installed horizontal within + / - five degrees.		
2. Check that end stop bolts are present and have locknuts installed.		
3. Using a torque wrench, check that all bolts are present and torqued to values shown in the system manual.		
4. Check that splices, if supplied, are centered on track joints.		
5. Verify that capacity labels are present, attached, and legible.		
6. Check the track for levelness within + / - 1/4 inches per 20 feet of track.		
7. Check the track flanges. Track flanges cannot be bent downward more than five degrees.		
8. Check the track thickness. Track thickness cannot be worn more than 10 percent.		
9. Check all system welds for cracks.		
10. Check system components for corrosion and bent or damaged areas.		
11. Verify that the hoist can traverse entire length of track without snags.		
12. Inspect the hoist per the manufacturer's instructions.		
13. Check system components for loose components.		
14. Check system components for loose or missing fasteners.		
15. Check system support structure for stability.		
16. Verify that hanger assemblies are installed properly and fasteners are torqued to proper values.		
17. Check motorization components, if supplied, for improper performance or noncompliance with applicable safety requirements.		
18. Check drive chain sprockets, if supplied, for excessive wear and excessive chain stretch.		
19. Check the electrical apparatus, if supplied, for any deterioration of the controller contactors, limit switches, and push button stations.		
20. Check system for unauthorized modifications. Only Spanco can authorize modifications. Remove system from service if it is modified in anyway.		

©2020. All Rights Reserved. All specifications and product designs subject to change without prior notice.

## PRODUCT WARRANTY COVERAGE

Spanco, Inc. warrants its products to be free from defects in material and workmanship as follows:

- **Manual Systems & Equipment:** Ten Years
- **Motorized Systems & Equipment:** One Year
- **Paint & Finishes for Non-Aluminum Components:** Two Years

### Ten-Year Warranty Coverage:

- Defects in equipment material and workmanship of manual systems and equipment
- Wearable parts (workstation bridge crane end trucks and hoist trolley wheels only)

Spanco, Inc. warrants its manual workstation bridge crane, jib crane, and gantry crane products to be free from defects in material and workmanship for a period of ten (10) years or 20,000 hours, commencing on the date of shipment to the first retail purchaser. This warranty extends to non-wearable parts only, with the exception of the wheels supplied on manually operated workstation end trucks and hoist trolleys.

### One-Year Warranty Coverage:

- Defects in equipment material and workmanship of motorized systems and equipment

Spanco, Inc. warrants motorized equipment to be free from defects in material and workmanship for a period of one (1) year or 2,000 hours, commencing on the date of shipment to the first retail purchaser.

### Two-Year Warranty Coverage:

- Paint coatings and finishes for non-aluminum components

Spanco, Inc. warrants its paint and finishes for a period of two (2) years. Warranty claims related to coatings must be accompanied by documentation of the product's application and environmental conditions from time of delivery to time of claim.

## WARRANTY TERMS & CONDITIONS

All warranty claims must be approved by Spanco before any work is performed. Spanco's obligation under this warranty is limited to the replacement or repair of Spanco products at the factory or separate location approved by Spanco. Other than the above mentioned warranty, Spanco will not honor any other warranties—whether expressed, implied, or statutory—and disclaims any warranties of merchantability or fitness for a particular purpose. Spanco has the right to reject any warranty claim due to harsh and/or inappropriate environmental conditions.

### Spanco Is Not Liable for:

- Indirect, incidental, or consequential damages including lost profits, operating costs, loss of production, or travel expenses
- Components or accessories not manufactured by Spanco
- Defective equipment or system failure caused by misuse, negligence, and improper installation or maintenance
- Equipment that has been used in excess of its rated capacity or beyond its service factors
- Equipment that has been altered without Spanco's written authorization
- Damage incurred by freight carriers
- Any loss, injury, or damage to persons or property resulting from failure or defective operation of material or equipment

### Reimbursement Disclaimer:

- Written notice of any claimed system defect must be given to Spanco within ninety (90) days of shipment.
- All requests for reimbursement must be accompanied by proper documentation.
- Reimbursement is provided in the form of a credit unless otherwise approved by Spanco management.
- Reimbursement for labor will be provided at a maximum rate of \$75 per hour.
- All reimbursement is subject to approval by Spanco management.

## ABOUT SPANCO<sup>®</sup>

### Our Commitment

Spanco professionals are dedicated to designing and manufacturing a variety of material handling solutions that meet all applicable CMAA, ANSI, OSHA, and MMA guidelines and standards. Our team of engineers and industry experts combine many years of experience in the material handling industry to manufacture material handling solutions that are backed by the best warranty in the industry.

Spanco production facilities are certified under the ISO 9001:2015 Quality Management System to provide superior quality products. And every welder at Spanco is certified to handle steel (D1.1) and aluminum (D1.2) in accordance with the rigorous requirements and lab testing established by the American Welders Society (AWS).

Spanco professionals welcome challenging projects that require custom crane engineering. Spanco also offers hundreds of pre-engineered lifting solutions, including Workstation Bridge Cranes, Jib Cranes, Gantry Cranes, Monorails, and Tractor Drives.

### Our Production:

All of our systems are designed and manufactured in the United States of America. We have production facilities in Las Vegas, Nevada, and at our headquarters in Morgantown, Pennsylvania.



Morgantown, PA | Las Vegas, NV  
Toll Free: (800) 869-2080 | Local: (610) 286-7200 | Outside US: 1-610-286-7200 | Fax: (610) 286-0085  
[Spanco.com](http://Spanco.com) | [info@Spanco.com](mailto:info@Spanco.com)

