

FRAME MATERIAL: STEEL
 WHEELS: MOLD-ON
 BRAKE: NO
 LOAD CAPACITY: 1,000 LBS.
 WEIGHT: 82 LBS.
 WIDTH: 25"
 DEPTH: 20"
 HEIGHT: 58.9"
 LOCKING CHIME HOOK "L" AS SUFFIX
 FIBER CHIME HOOK "F" AS SUFFIX
 CABLE CHIME HOOK "C" AS SUFFIX
 PLASTIC CHIME HOOK "P" AS SUFFIX

PROPRIETARY AND CONFIDENTIAL

THE INFORMATION CONTAINED IN THIS DRAWING IS THE SOLE PROPERTY OF VALLEY CRAFT. ANY REPRODUCTION IN PART OR AS A WHOLE WITHOUT THE WRITTEN PERMISSION OF VALLEY CRAFT IS PROHIBITED.

UNLESS OTHERWISE SPECIFIED:

DECIMALS
 2 PLACES ± 0.01
 3 PLACES ± 0.005
 ANGLE $\pm 1^\circ$

GRIND/SAND SHARP EDGES .015 MAX DOES NOT APPLY TO DRILLED HOLE DIA.



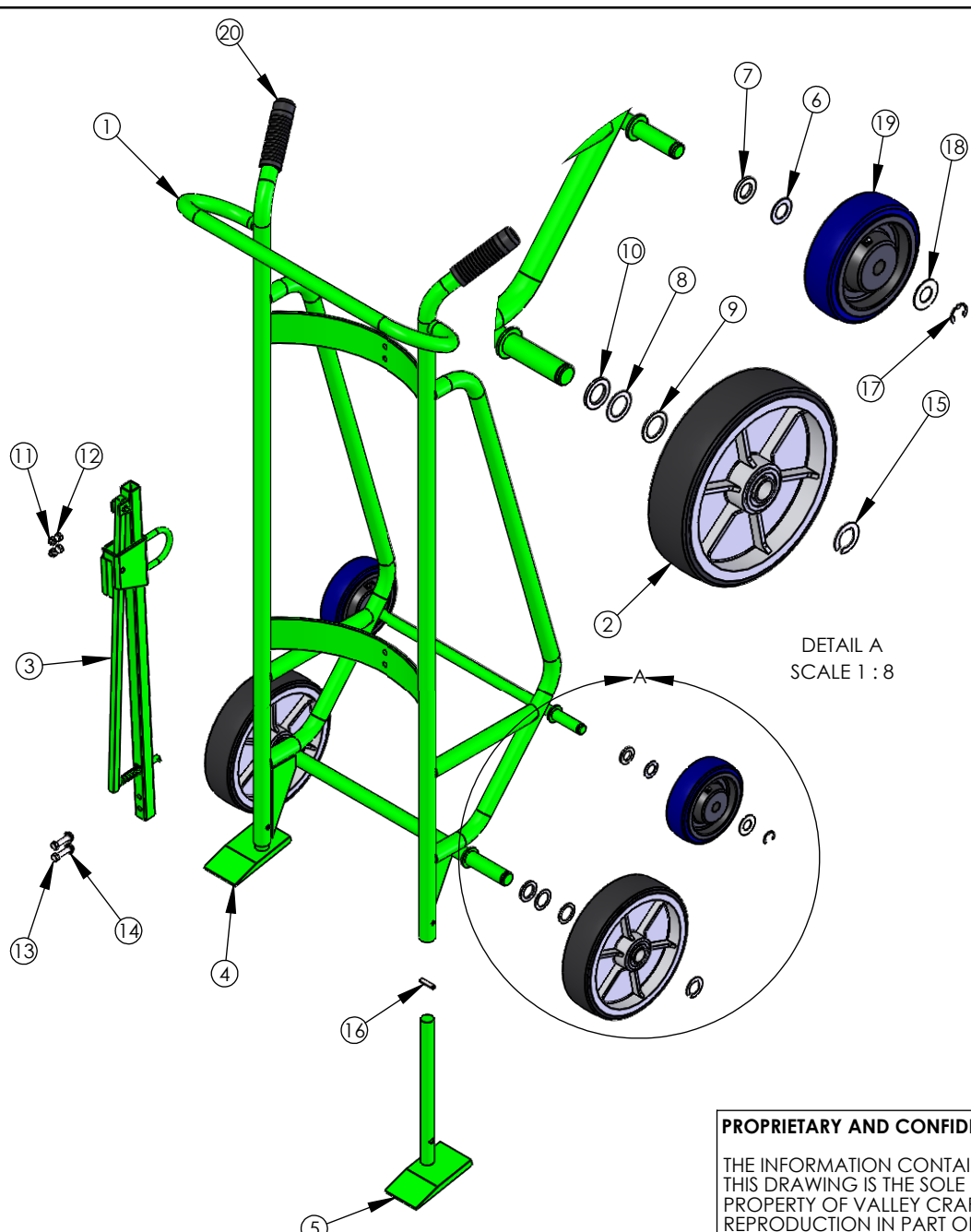
TITLE: TRK-DRUM/650SSM STD CH

A		DRAWN IN SW	PBS	5/08
CHG.	E.C.O.	DESCRIPTION / WAS	BY	DATE

ALL ANGLES ARE 90° UNLESS SPECIFIED

	NAME	DATE
DRAWN	salvopb	5/08
CHECKED		
ENG APPR.		

SIZE	PART NO.	F82845A2	
A	MATL:		
SCALE: 1:16	WEIGHT: 69.49	SHEET 1 OF 2	



ITEM NO.	PART NUMBER	DESCRIPTION	QTY.
1	F60037A6	F W/650SS	1
2	F60011A6	WHL-10 M/O	2
3	F60039B2/R60039	CHIME HOOK ASSY - STEEL --CS, use R60039 for RPMTS	1
3	F60946A6	CH ASSY-S/ CABLE	1
3	F60949A3	CH ASSY-S/ FIBER	1
3	F60947A5	CH ASSY-S/ LOCKING	1
3	F60945A7	CH ASSY-S/ PLASTIC	1
4	F60044A7/R70044	SHOE WLDMT-RH S/600 -- CS, use R70044 for RPMTS	1
5	F60045A6/R70045	SHOE WLDMT-LH S/600 -- CS, use R70045 for RPMTS	1
6	Z10008A0	BUSH-MACH 6H 3/4x18GAx1-1/4 OD	2
7	Z10010A6	BUSH-MACH 3/4x10GAx1-1/4 OD	2
8	Z10011A5	BUSH-MACH 1x18GAx1-1/2 OD	2
9	Z10012A4	BUSH-MACH 1x14GAx1-1/2 OD	2
10	Z10013A3	BUSH-MACH 1x10GAx1-1/2 OD	6
11	Z10036A6	NUT-HEX KEPS 5/16-18	4
12	Z10122A1	S-HHC 5/16-18X3/4	2
13	Z10125A8	S-HHC 5/16-18X1-1/2	2
14	Z10200A6	WASHER-1/4 FLAT USS	2
15	Z10223A9	RING-RTNG 1	2
16	Z10234A6	PIN-SPG 5/16X1-1/4	2
17	Z10236A4	RING-RTNG 3/4 5304	2
18	Z10491A6	BUSH-MACH 3/4x18GAx1-1/2 OD	4
19	Z30135A4	WHL-6 x 2 U/P 3/4	2
20	Z50007A7	GRIP-HDL 1-1/8" BLK	2

DETAIL A
SCALE 1 : 8

PROPRIETARY AND CONFIDENTIAL

THE INFORMATION CONTAINED IN THIS DRAWING IS THE SOLE PROPERTY OF VALLEY CRAFT. ANY REPRODUCTION IN PART OR AS A WHOLE WITHOUT THE WRITTEN PERMISSION OF VALLEY CRAFT IS PROHIBITED.

UNLESS OTHERWISE SPECIFIED:

DECIMALS
2 PLACES ±0.01
3 PLACES ±0.005
ANGLE ±1°

GRIND/SAND SHARP EDGES .015 MAX DOES NOT APPLY TO DRILLED HOLE DIA.

ALL ANGLES ARE 90° UNLESS SPECIFIED

VALLEYCRAFT®

2001 South Hwy. 61, Lake City, MN 55041-9555, U.S.A.

TITLE: TRK-DRUM/650SSM STD CH

NAME	DATE	SIZE	PART NO. F82845A2
DRAWN salvopb	5/08	A	
CHECKED			MATL:
ENG APPR.			

SCALE: 1:24 **WEIGHT:** 69.49 **SHEET 2 OF 2**

A		DRAWN IN SW	PBS	5/08
CHG.	E.C.O.	DESCRIPTION / WAS	BY	DATE