

FRAME MATERIAL: STEEL
 WHEELS: MOLD-ON
 BRAKE: NO
 LOAD CAPACITY: 1,000 LBS.
 WEIGHT: 66 LBS.
 WIDTH: 25"
 DEPTH: 19-3/4"
 HEIGHT: 52"
 LOCKING CHIME HOOK "L" AS SUFFIX
 FIBER CHIME HOOK "F" AS SUFFIX
 CABLE CHIME HOOK "C" AS SUFFIX
 PLASTIC CHIME HOOK "P" AS SUFFIX

PROPRIETARY AND CONFIDENTIAL

THE INFORMATION CONTAINED IN THIS DRAWING IS THE SOLE PROPERTY OF VALLEY CRAFT. ANY REPRODUCTION IN PART OR AS A WHOLE WITHOUT THE WRITTEN PERMISSION OF VALLEY CRAFT IS PROHIBITED.

UNLESS OTHERWISE SPECIFIED:

DECIMALS
 2 PLACES ± 0.01
 3 PLACES ± 0.005
 ANGLE $\pm 1^\circ$

GRIND/SAND SHARP EDGES .015 MAX DOES NOT APPLY TO DRILLED HOLE DIA.



2001 South Hwy. 61, Lake City, MN 55041-9555, U.S.A.

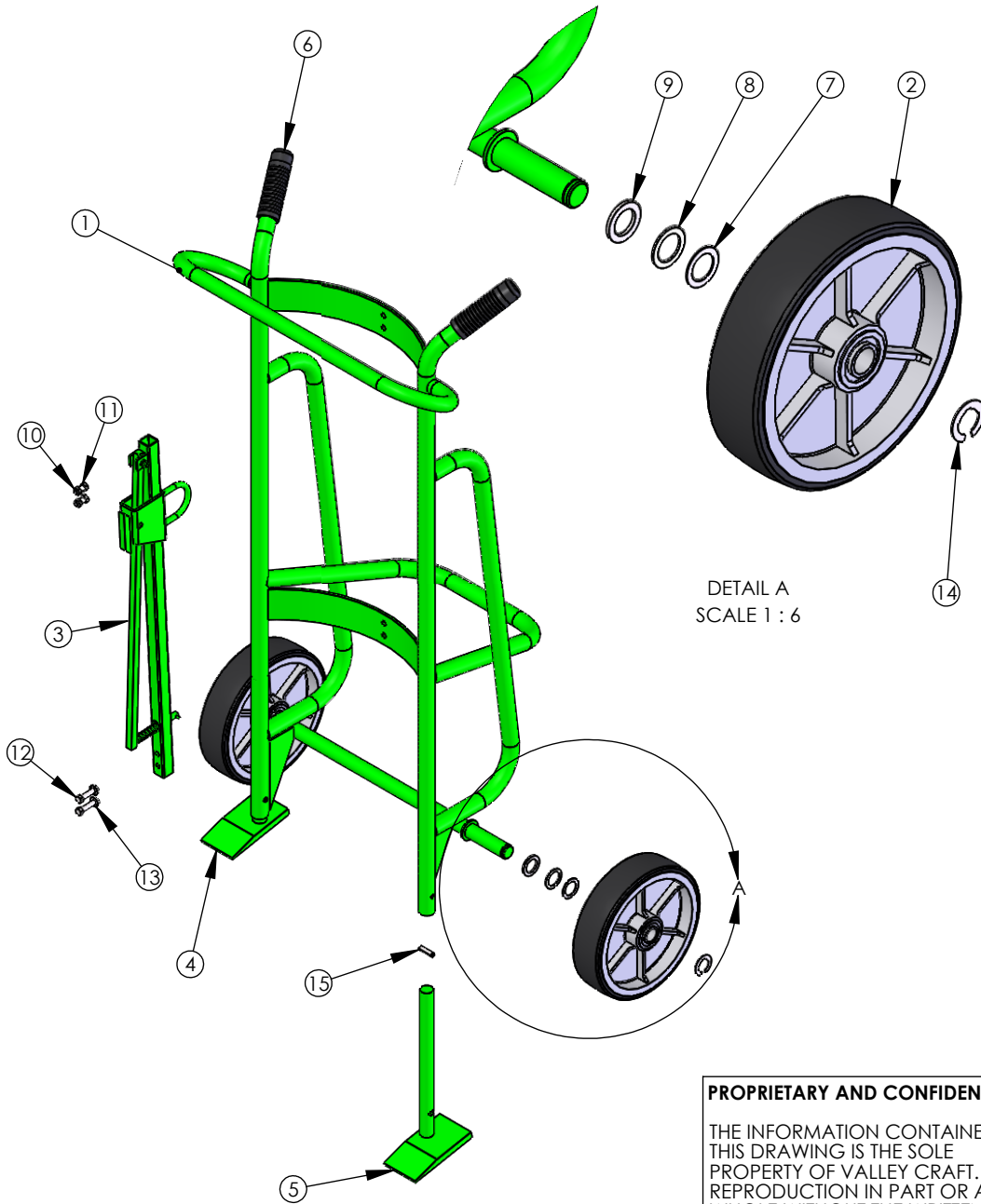
TITLE: obs use F81735A7 TRK-DRUM/600SSM STD CH

A	-	CREATED	DN	04/17/2019
CHG.	E.C.O.	DESCRIPTION / WAS	BY	DATE

ALL ANGLES ARE 90° UNLESS SPECIFIED

	NAME	DATE
DRAWN	DN	04/17/2019
CHECKED		
ENG APPR.		

SIZE	PART NO.
A	F81895A3
	MATL: Material <not specified>
SCALE: 1:16	WEIGHT: 63.17 SHEET 1 OF 2



DETAIL A
SCALE 1 : 6

ITEM NO.	PART NUMBER	DESCRIPTION	QTY.
1	F60258A8	F W/600SS	1
2	F60011A6	WHL-10 M/O	2
3	F60039B2/R60039	CHIME HOOK ASSY - STEEL --CS, use R60039 for RPMTS	1
3	F60946A6	CH ASSY-S/ CABLE	1
3	F60949A3	CH ASSY-S/ FIBER	1
3	F60947A5	CH ASSY-S/ LOCKING	1
3	F60945A7	CH ASSY-S/ PLASTIC	1
4	F60044A7/R70044	SHOE WLDMT-RH S/600 -- CS, use R70044 for RPMTS	1
5	F60045A6/R70045	SHOE WLDMT-LH S/600 -- CS, use R70045 for RPMTS	1
6	Z50007A7	GRIP-HDL 1-1/8" BLK	2
7	Z10011A5	BUSH-MACH 1x18GAx1-1/2 OD	2
8	Z10012A4	BUSH-MACH 1x14GAx1-1/2 OD	2
9	Z10013A3	BUSH-MACH 1x10GAx1-1/2 OD	6
10	Z10036A6	NUT-HEX KEPS 5/16-18	4
11	Z10122A1	S-HHC 5/16-18X3/4	2
12	Z10125A8	S-HHC 5/16-18X1-1/2	2
13	Z10200A6	WASHER-1/4 FLAT USS	2
14	Z10223A9	RING-RTNG 1	2
15	Z10234A6	PIN-SPG 5/16X1-1/4	2

PROPRIETARY AND CONFIDENTIAL

THE INFORMATION CONTAINED IN THIS DRAWING IS THE SOLE PROPERTY OF VALLEY CRAFT. ANY REPRODUCTION IN PART OR AS A WHOLE WITHOUT THE WRITTEN PERMISSION OF VALLEY CRAFT IS PROHIBITED.

UNLESS OTHERWISE SPECIFIED:

DECIMALS
2 PLACES ±0.01
3 PLACES ±0.005
ANGLE ±1°

GRIND/SAND SHARP EDGES .015 MAX DOES NOT APPLY TO DRILLED HOLE DIA.



2001 South Hwy. 61, Lake City, MN 55041-9555, U.S.A.

TITLE: obs use F81735A7 TRK-DRUM/600SSM STD CH

A	-	CREATED	DN	04/17/2019
CHG.	E.C.O.	DESCRIPTION / WAS	BY	DATE

ALL ANGLES ARE 90° UNLESS SPECIFIED

	NAME	DATE
DRAWN	DN	04/17/2019
CHECKED		
ENG APPR.		

SIZE	PART NO.
A	F81895A3
	MATL: Material <not specified>
SCALE: 1:16	WEIGHT: 63.17 SHEET 2 OF 2