

FRAME MATERIAL: ALUMINUM  
 WHEELS: MOLD-ON  
 BRAKE: NO  
 LOAD CAPACITY: 1,000 LBS.  
 WEIGHT: 55 LBS.  
 WIDTH: 25"  
 DEPTH: 18"  
 HEIGHT: 52"  
 LOCKING CHIME HOOK "L" AS SUFFIX  
 FIBER CHIME HOOK "F" AS SUFFIX  
 CABLE CHIME HOOK "C" AS SUFFIX  
 PLASTIC CHIME HOOK "P" AS SUFFIX

**PROPRIETARY AND CONFIDENTIAL**

THE INFORMATION CONTAINED IN THIS DRAWING IS THE SOLE PROPERTY OF VALLEY CRAFT. ANY REPRODUCTION IN PART OR AS A WHOLE WITHOUT THE WRITTEN PERMISSION OF VALLEY CRAFT IS PROHIBITED.

**UNLESS OTHERWISE SPECIFIED:**

DECIMALS  
 2 PLACES ±0.01  
 3 PLACES ±0.005  
 ANGLE ±1°

**GRIND/SAND SHARP EDGES .015 MAX DOES NOT APPLY TO DRILLED HOLE DIA.**



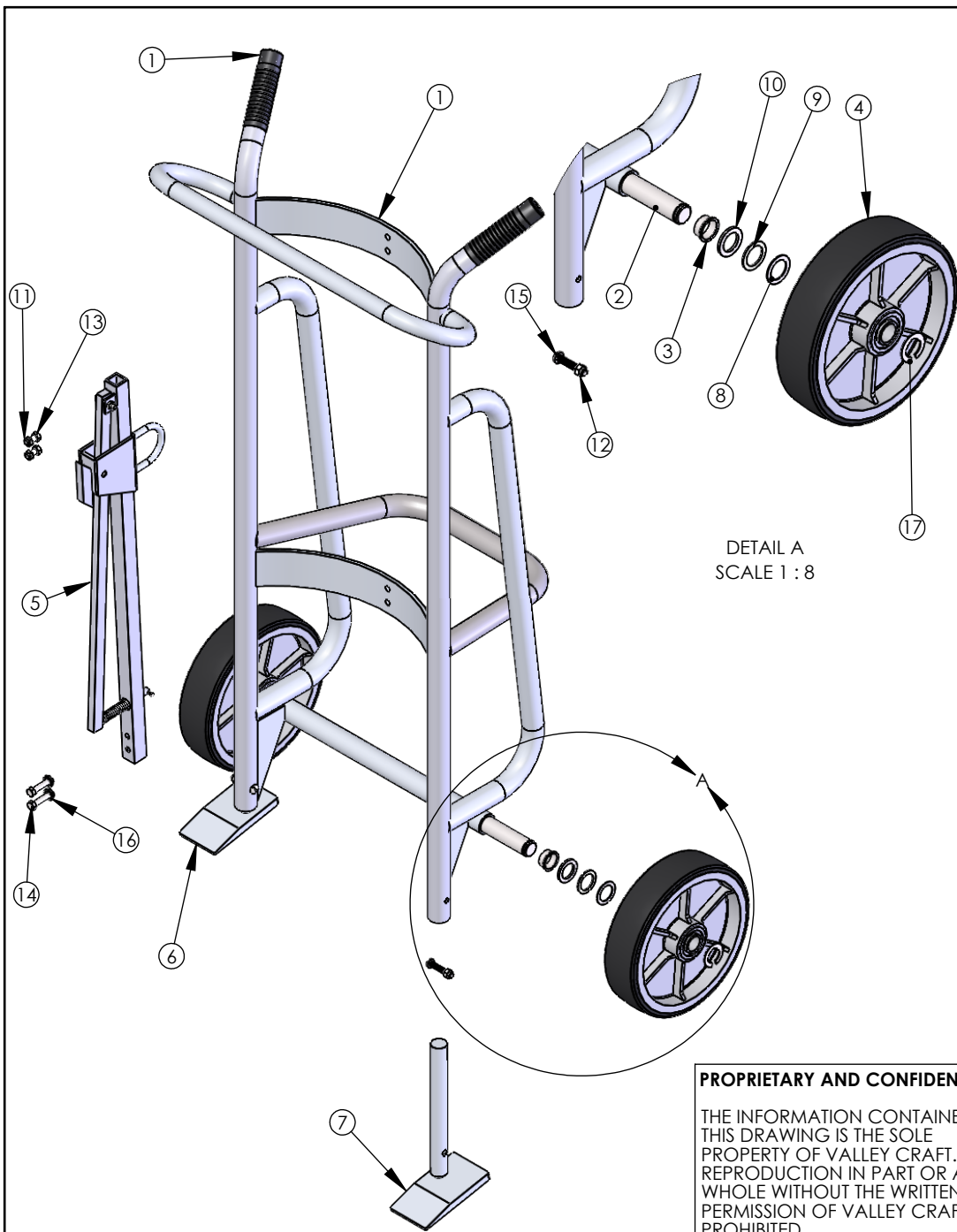
**TITLE:** obs use F81625A0 TRK-DRUM/600AS-M

B	-	CREATED	DN	04/24/2019
CHG.	E.C.O.	DESCRIPTION / WAS	BY	DATE

**ALL ANGLES ARE 90° UNLESS SPECIFIED**

	NAME	DATE
DRAWN	DN	04/24/2019
CHECKED		
ENG APPR.		

SIZE	<b>PART NO.</b>
<b>A</b>	F81770A3
	<b>MATL:</b> Material <not specified>
SCALE: 1:16	WEIGHT: 50.11 SHEET 1 OF 2



ITEM NO.	PART NUMBER	DESCRIPTION	QTY.
1	F60504A0	F W/600AS	1
2	F30041A3	AXLE-FRT/650A	1
3	F57260A9	BRG-STL FLG 1.01X1.05X.5	2
4	F60011A6	WHL-10 M/O	2
5	F60063B1/R60063	C H ASSY-A/STD -- CS, use R60063 for RPMTS	1
5	F62771A2	CH ASSY-A/CABLE	1
5	F60950A9	CH ASSY-A/FIBER	1
5	F60947A5	CH ASSY-S/ LOCKING	1
5	F60945A7	CH ASSY-S/ PLASTIC	1
6	F60065A1/R60065	SHOE WLDMT-RH A/600A -- CS, use R60065 for RPMTS	1
7	F60066A0/R60066	SHOE WLDMT-LH A/600A -- CS, use R60066 for RPMTS	1
8	Z10011A5	BUSH-MACH 1x18GAx1-1/2 OD	2
9	Z10012A4	BUSH-MACH 1x14GAx1-1/2 OD	2
10	Z10013A3	BUSH-MACH 1x10GAx1-1/2 OD	8
11	Z10036A6	NUT-HEX KEPS 5/16-18	4
12	Z10045A5	NUT-NYL NE 5/16-18	2
13	Z10122A1	S-HHC 5/16-18X3/4	2
14	Z10125A8	S-HHC 5/16-18X1-1/2	2
15	Z10184A6	S-RHM 5/16-18X1-3/4	2
16	Z10200A6	WASHER-1/4 FLAT USS	2
17	Z10223A9	RING-RTNG 1	2
18	Z50085A2	GRIP-HDL 1-1/4" BLK	2

DETAIL A  
SCALE 1 : 8

**PROPRIETARY AND CONFIDENTIAL**  
 THE INFORMATION CONTAINED IN THIS DRAWING IS THE SOLE PROPERTY OF VALLEY CRAFT. ANY REPRODUCTION IN PART OR AS A WHOLE WITHOUT THE WRITTEN PERMISSION OF VALLEY CRAFT IS PROHIBITED.

**UNLESS OTHERWISE SPECIFIED:**  
 DECIMALS  
 2 PLACES ±0.01  
 3 PLACES ±0.005  
 ANGLE ±1°  
 GRIND/SAND SHARP EDGES .015 MAX  
 DOES NOT APPLY TO DRILLED HOLE DIA.



2001 South Hwy. 61, Lake City, MN 55041-9555, U.S.A.  
**TITLE:** obs use F81625A0 TRK-DRUM/600AS-M

B	-	CREATED	DN	04/24/2019
CHG.	E.C.O.	DESCRIPTION / WAS	BY	DATE

**ALL ANGLES ARE 90° UNLESS SPECIFIED**

DRAWN	DN	04/24/2019	SIZE	A	<b>PART NO.</b> F81770A3
CHECKED					<b>MATL:</b> Material <not specified>
ENG APPR.			SCALE: 1:16	WEIGHT: 50.11	SHEET 2 OF 2