

FRAME MATERIAL: STEEL  
 WHEELS: SOLID RUBBER  
 BRAKE: NO  
 LOAD CAPACITY: 1,000 LBS.  
 WEIGHT: 70 LBS.  
 WIDTH: 25"  
 DEPTH: 19-3/4"  
 HEIGHT: 52"  
 LOCKING CHIME HOOK "L" AS SUFFIX  
 FIBER CHIME HOOK "F" AS SUFFIX  
 CABLE CHIME HOOK "C" AS SUFFIX  
 PLASTIC CHIME HOOK "P" AS SUFFIX

**PROPRIETARY AND CONFIDENTIAL**

THE INFORMATION CONTAINED IN THIS DRAWING IS THE SOLE PROPERTY OF VALLEY CRAFT. ANY REPRODUCTION IN PART OR AS A WHOLE WITHOUT THE WRITTEN PERMISSION OF VALLEY CRAFT IS PROHIBITED.

**UNLESS OTHERWISE SPECIFIED:**

DECIMALS  
 2 PLACES ±0.01  
 3 PLACES ±0.005  
 ANGLE ±1°

**GRIND/SAND SHARP EDGES .015 MAX DOES NOT APPLY TO DRILLED HOLE DIA.**



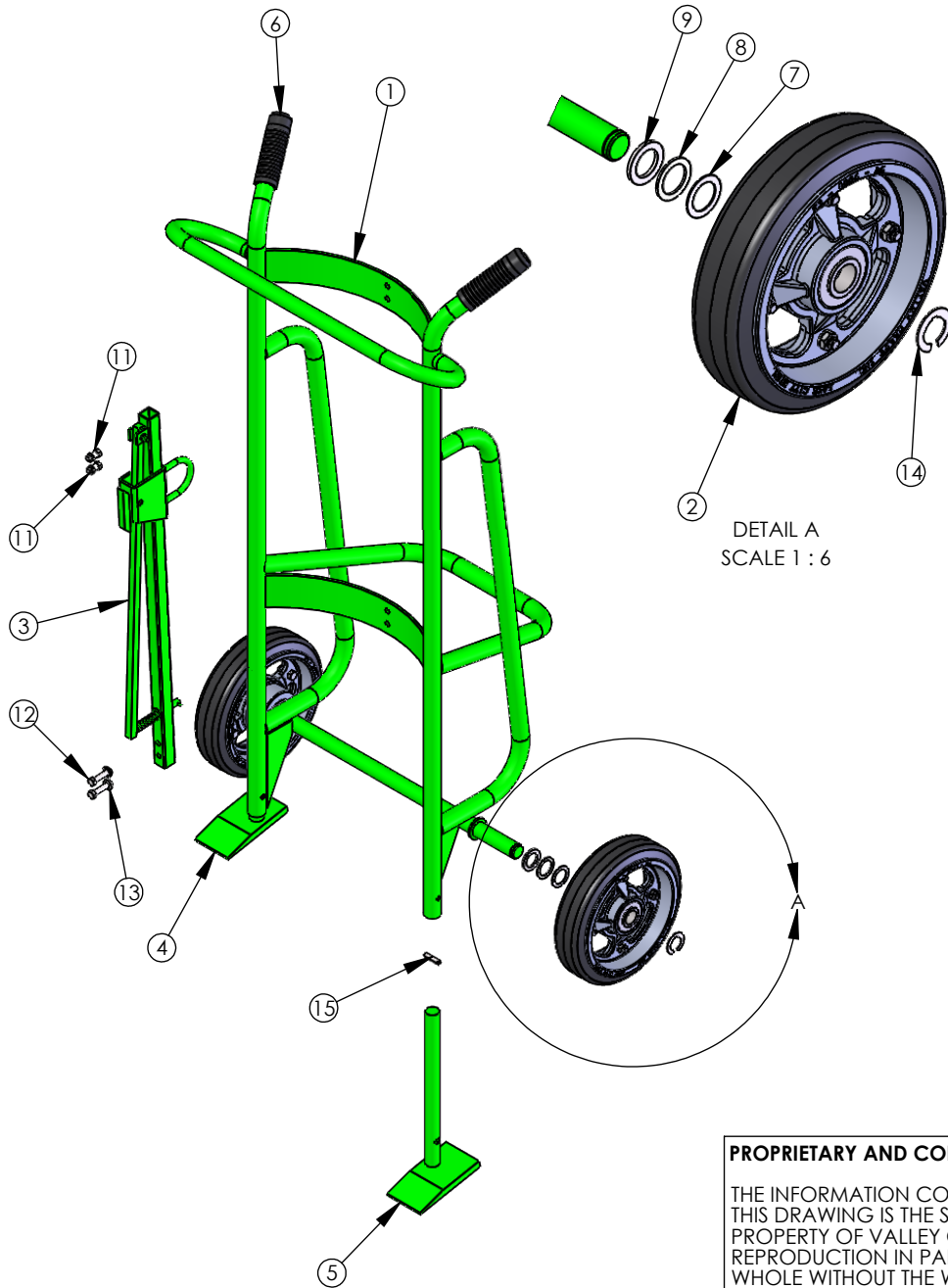
**TITLE:** TRK-DRUM/600SS STD CH

B	-	CREATED	DN	04/17/2019
CHG.	E.C.O.	DESCRIPTION / WAS	BY	DATE

**ALL ANGLES ARE 90° UNLESS SPECIFIED**

	NAME	DATE
DRAWN	DN	04/17/2019
CHECKED		
ENG APPR.		

SIZE	<b>PART NO.</b>
<b>A</b>	F81735A7
	<b>MATL:</b> Material <not specified>
SCALE: 1:16	WEIGHT: 57.43 SHEET 1 OF 3



ITEM NO.	PART NUMBER	DESCRIPTION	QTY.
1	F60258A8	F W/600SS	1
2	F60004A5	WHL-10 D/M	2
3	F60039B2/ R60039	CHIME HOOK ASSY - STEEL --CS, use R60039 for RPMTS	1
3	F60946A6	CH ASSY-S/ CABLE	1
3	F60949A3	CH ASSY-S/ FIBER	1
3	F60947A5	CH ASSY-S/ LOCKING	1
3	F60945A7	CH ASSY-S/ PLASTIC	1
4	F60044A7/ R70044	SHOE WLDMT-RH S/600 -- CS, use R70044 for RPMTS	1
5	F60045A6/ R70045	SHOE WLDMT-LH S/600 -- CS, use R70045 for RPMTS	1
6	Z50007A7	GRIP-HDL 1-1/8" BLK	2
7	Z10011A5	BUSH-MACH 1x18GAx1-1/2 OD	2
8	Z10012A4	BUSH-MACH 1x14GAx1-1/2 OD	2
9	Z10013A3	BUSH-MACH 1x10GAx1-1/2 OD	2
10	Z10036A6	NUT-HEX KEPS 5/16-18	4
11	Z10122A1	S-HHC 5/16-18X3/4	2
12	Z10125A8	S-HHC 5/16-18X1-1/2	2
13	Z10200A6	WASHER-1/4 FLAT USS	2
14	Z10223A9	RING-RTNG 1	2
15	Z10234A6	PIN-SPG 5/16X1-1/4	2

**PROPRIETARY AND CONFIDENTIAL**

THE INFORMATION CONTAINED IN THIS DRAWING IS THE SOLE PROPERTY OF VALLEY CRAFT. ANY REPRODUCTION IN PART OR AS A WHOLE WITHOUT THE WRITTEN PERMISSION OF VALLEY CRAFT IS PROHIBITED.

**UNLESS OTHERWISE SPECIFIED:**

DECIMALS  
2 PLACES ±0.01  
3 PLACES ±0.005  
ANGLE ±1°

**GRIND/SAND SHARP EDGES .015 MAX DOES NOT APPLY TO DRILLED HOLE DIA.**



2001 South Hwy. 61, Lake City, MN 55041-9555, U.S.A.

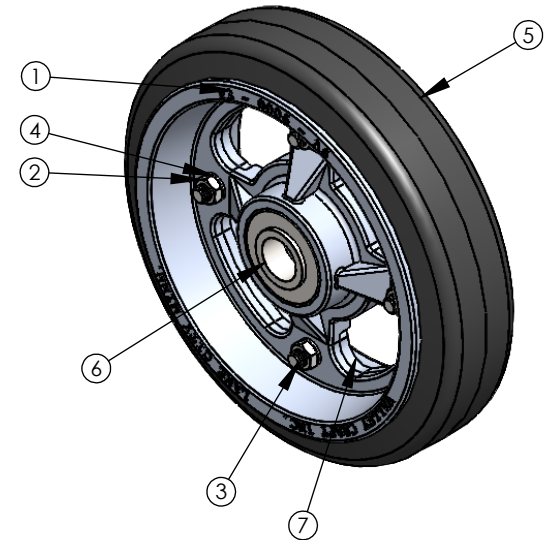
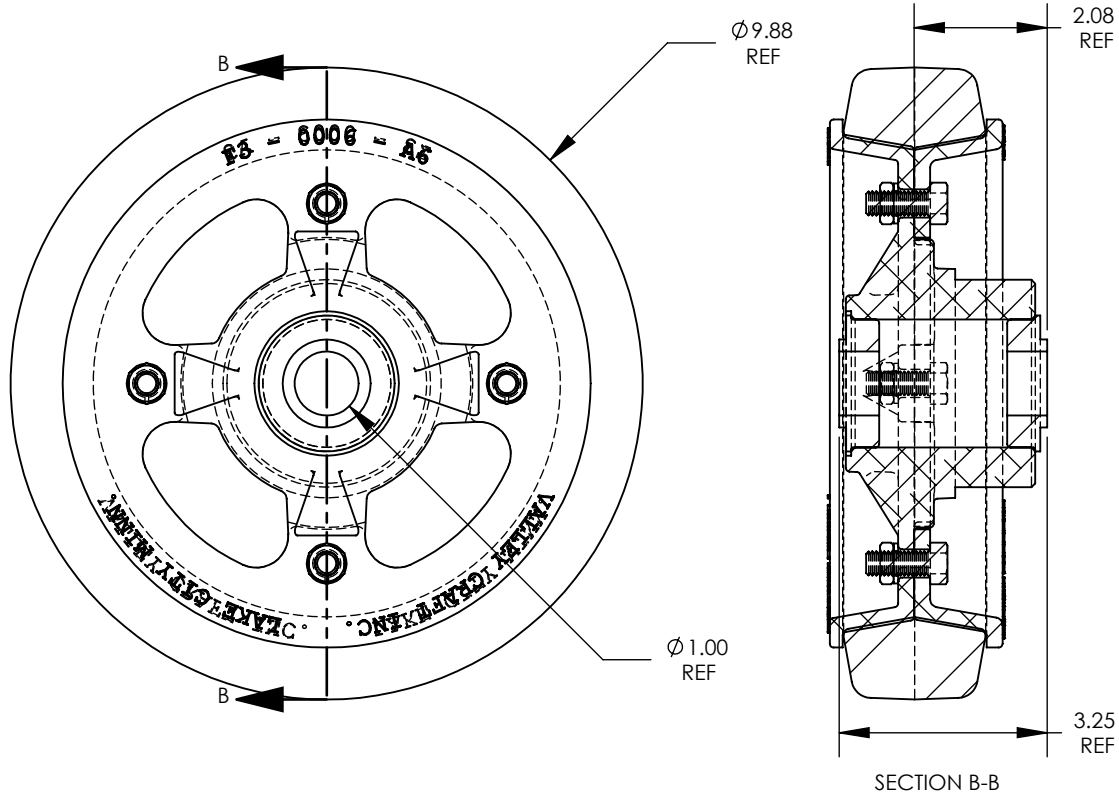
**TITLE:** TRK-DRUM/600SS STD CH

	NAME	DATE
DRAWN	DN	04/17/2019
CHECKED		
ENG APPR.		

SIZE	PART NO.
A	F81735A7
	<b>MATL:</b> Material <not specified>
SCALE: 1:16	WEIGHT: 57.43 SHEET 2 OF 3

B	-	CREATED	DN	04/17/2019
CHG.	E.C.O.	DESCRIPTION / WAS	BY	DATE

**ALL ANGLES ARE 90° UNLESS SPECIFIED**



NOTES:

- $\triangle A$  : 10 X 2-1/2 TIRE SIZE
- $\triangle B$  : SMOOTH TREAD PATTERN
- $\triangle C$  : SOFT RUBBER WHEEL MATERIAL
- $\triangle D$  : 600# LOAD CAPACITY
- $\triangle E$  : 8.5# WEIGHT/WHEEL
- $\triangle F$  : ALUMINUM HUB MATERIAL
- $\triangle G$  : BALL BEARING TYPE
- $\triangle H$  : SILVER HUB COLOR

ITEM NO.	PART NUMBER	DESCRIPTION	QT. Y.
1	F30006A6	HUB-D/M 10X2.5	1
2	Z10026A8	NUT-HEX JAM 3/8-16ZP	4
3	Z10132A9	S-HHC 3/8-16X1	4
4	Z10214A0	WASHER-3/8 LOCK MD	4
5	Z30001A5	TIRE-HARD BASE D/M 10 X 2-1/2	1
6	Z30002A4	BRG-FLG 1/RPMT	2
7	Z30003A3	FLG-D/M 10X.5HD-10F	1

**PROPRIETARY AND CONFIDENTIAL**

THE INFORMATION CONTAINED IN THIS DRAWING IS THE SOLE PROPERTY OF VALLEY CRAFT. ANY REPRODUCTION IN PART OR AS A WHOLE WITHOUT THE WRITTEN PERMISSION OF VALLEY CRAFT IS PROHIBITED.

**UNLESS OTHERWISE SPECIFIED:**

DECIMALS  
2 PLACES  $\pm 0.01$   
3 PLACES  $\pm 0.005$   
ANGLE  $\pm 1^\circ$

**GRIND/SAND SHARP EDGES .015 MAX DOES NOT APPLY TO DRILLED HOLE DIA.**



**TITLE:** WHL-10 D/M

NAME	DATE	SIZE	PART NO.
DRAWN JS		A	F60004A5
CHECKED			<b>MATL:</b>
ENG APPR.		SCALE: 1:3	WEIGHT: SHEET 3 OF 3

A	-	DRAWN	JS	01/29/2009
CHG.	E.C.O.	DESCRIPTION / WAS	BY	DATE

**ALL ANGLES ARE 90° UNLESS SPECIFIED**