

FRAME MATERIAL: ALUMINUM
 WHEELS: SOLID RUBBER
 BRAKE: NO
 LOAD CAPACITY: 1,000 LBS.
 WEIGHT: 50 LBS.
 WIDTH: 25"
 DEPTH: 18"
 HEIGHT: 52"
 LOCKING CHIME HOOK "L" AS SUFFIX
 FIBER CHIME HOOK "F" AS SUFFIX
 CABLE CHIME HOOK "C" AS SUFFIX
 PLASTIC CHIME HOOK "P" AS SUFFIX

PROPRIETARY AND CONFIDENTIAL

THE INFORMATION CONTAINED IN THIS DRAWING IS THE SOLE PROPERTY OF VALLEY CRAFT. ANY REPRODUCTION IN PART OR AS A WHOLE WITHOUT THE WRITTEN PERMISSION OF VALLEY CRAFT IS PROHIBITED.

UNLESS OTHERWISE SPECIFIED:

DECIMALS
 2 PLACES ± 0.01
 3 PLACES ± 0.005
 ANGLE $\pm 1^\circ$

GRIND/SAND SHARP EDGES .015 MAX DOES NOT APPLY TO DRILLED HOLE DIA.



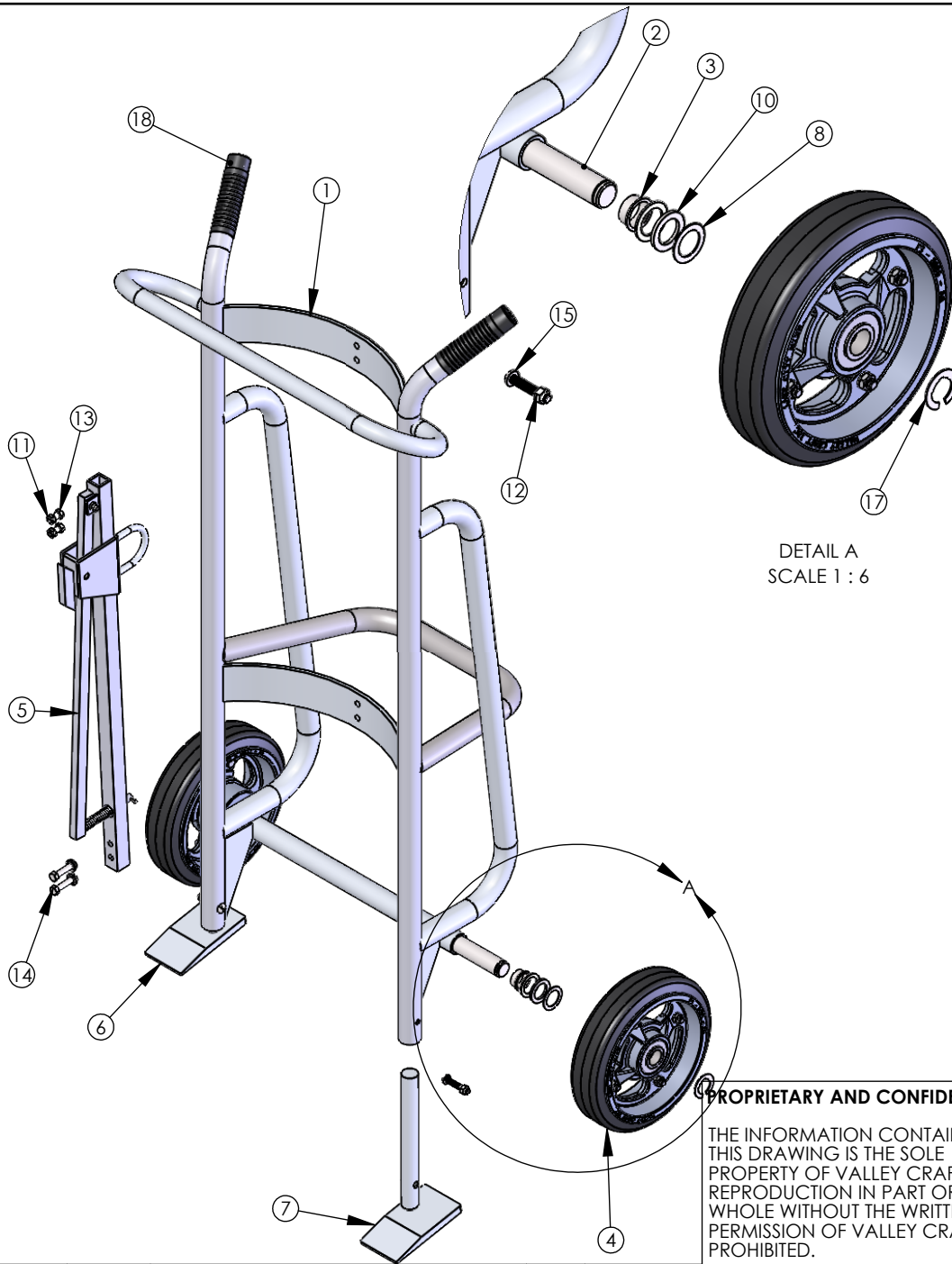
TITLE: TRK-DRUM/600AS-M

B	-	CREATED	DN	09/26/2022
CHG.	E.C.O.	DESCRIPTION / WAS	BY	DATE

ALL ANGLES ARE 90° UNLESS SPECIFIED

	NAME	DATE
DRAWN	DN	04/25/2019
CHECKED		
ENG APPR.		

SIZE	PART NO.
A	F81625A0
	MATL: Material <not specified>
SCALE: 1:16	WEIGHT: 44.36 SHEET 1 OF 3



DETAIL A
SCALE 1 : 6

ITEM NO.	PART NUMBER	DESCRIPTION	QTY.
1	F60504A0	F W/600AS	1
2	F30041A3	AXLE-FRT/650A	1
3	F57260A9	BRG-STL FLG 1.01X1.05X.5	2
4	F60004A5	WHL-10 D/M	2
5	F60063B1/R60063	C H ASSY-A/STD -- CS, use R60063 for RPMTS	1
5	F62771A2	CH ASSY-A/CABLE	1
5	F60950A9	CH ASSY-A/FIBER	1
5	F60947A5	CH ASSY-S/LOCKING	1
5	F60945A7	CH ASSY-S/PLASTIC	1
6	F60065A1/R60065	SHOE WLDMT-RH A/600A -- CS, use R60065 for RPMTS	1
7	F60066A0/R60066	SHOE WLDMT-LH A/600A -- CS, use R60066 for RPMTS	1
8	Z10011A5	BUSH-MACH 1x18GAx1-1/2 OD	2
9	Z10012A4	BUSH-MACH 1x14GAx1-1/2 OD	2
10	Z10013A3	BUSH-MACH 1x10GAx1-1/2 OD	4
11	Z10036A6	NUT-HEX KEPS 5/16-18	4
12	Z10045A5	NUT-NYL NE 5/16-18	2
13	Z10122A1	S-HHC 5/16-18X3/4	2
14	Z10125A8	S-HHC 5/16-18X1-1/2	2
15	Z10184A6	S-RHM 5/16-18X1-3/4	2
16	Z10200A6	WASHER-1/4 FLAT USS	2
17	Z10223A9	RING-RTNG 1	2
18	Z50085A2	GRIP-HDL 1-1/4" BLK	2

PROPRIETARY AND CONFIDENTIAL
 THE INFORMATION CONTAINED IN THIS DRAWING IS THE SOLE PROPERTY OF VALLEY CRAFT. ANY REPRODUCTION IN PART OR AS A WHOLE WITHOUT THE WRITTEN PERMISSION OF VALLEY CRAFT IS PROHIBITED.

UNLESS OTHERWISE SPECIFIED:
 DECIMALS
 2 PLACES ±0.01
 3 PLACES ±0.005
 ANGLE ±1°
GRIND/SAND SHARP EDGES .015 MAX DOES NOT APPLY TO DRILLED HOLE DIA.

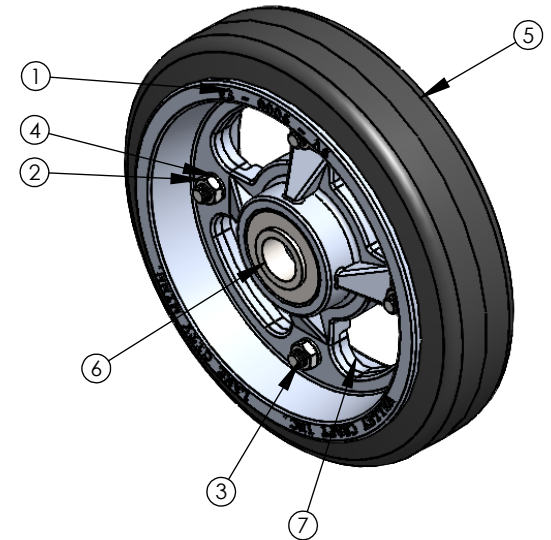
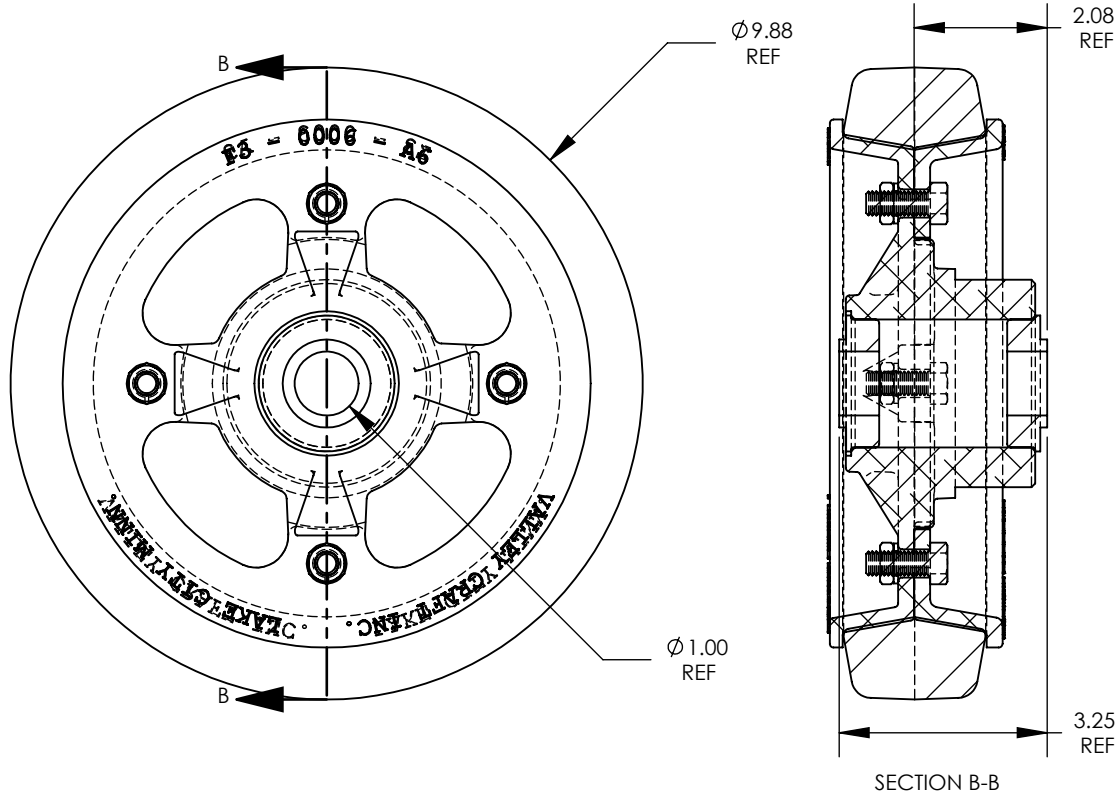


TITLE: TRK-DRUM/600AS-M

		SIZE	PART NO.
DRAWN	DN	04/25/2019	F81625A0
CHECKED			MATL: Material <not specified>
ENG APPR.			SCALE: 1:16 WEIGHT: 44.36 SHEET 2 OF 3

CHG.	E.C.O.	DESCRIPTION / WAS	BY	DATE
B	-	CREATED	DN	09/26/2022

ALL ANGLES ARE 90° UNLESS SPECIFIED



NOTES:

- $\triangle A$: 10 X 2-1/2 TIRE SIZE
- $\triangle B$: SMOOTH TREAD PATTERN
- $\triangle C$: SOFT RUBBER WHEEL MATERIAL
- $\triangle D$: 600# LOAD CAPACITY
- $\triangle E$: 8.5# WEIGHT/WHEEL
- $\triangle F$: ALUMINUM HUB MATERIAL
- $\triangle G$: BALL BEARING TYPE
- $\triangle H$: SILVER HUB COLOR

ITEM NO.	PART NUMBER	DESCRIPTION	QT. Y.
1	F30006A6	HUB-D/M 10X2.5	1
2	Z10026A8	NUT-HEX JAM 3/8-16ZP	4
3	Z10132A9	S-HHC 3/8-16X1	4
4	Z10214A0	WASHER-3/8 LOCK MD	4
5	Z30001A5	TIRE-HARD BASE D/M 10 X 2-1/2	1
6	Z30002A4	BRG-FLG 1/RPMT	2
7	Z30003A3	FLG-D/M 10X.5HD-10F	1

PROPRIETARY AND CONFIDENTIAL

THE INFORMATION CONTAINED IN THIS DRAWING IS THE SOLE PROPERTY OF VALLEY CRAFT. ANY REPRODUCTION IN PART OR AS A WHOLE WITHOUT THE WRITTEN PERMISSION OF VALLEY CRAFT IS PROHIBITED.

UNLESS OTHERWISE SPECIFIED:

DECIMALS
2 PLACES ± 0.01
3 PLACES ± 0.005
ANGLE $\pm 1^\circ$

GRIND/SAND SHARP EDGES .015 MAX DOES NOT APPLY TO DRILLED HOLE DIA.



TITLE: WHL-10 D/M

NAME	DATE	SIZE	PART NO.
DRAWN JS		A	F60004A5
CHECKED			MATL:
ENG APPR.		SCALE: 1:3	WEIGHT: SHEET 3 OF 3

A	-	DRAWN	JS	01/29/2009
CHG.	E.C.O.	DESCRIPTION / WAS	BY	DATE

ALL ANGLES ARE 90° UNLESS SPECIFIED