

FRAME MATERIAL: ALUMINUM
 WHEELS: PNEUMATIC
 BRAKE: NO
 LOAD CAPACITY: 1,000 LBS.
 WEIGHT: 40 LBS.
 WIDTH: 26"
 DEPTH: 18"
 HEIGHT: 52"
 LOCKING CHIME HOOK "L" AS SUFFIX
 FIBER CHIME HOOK "F" AS SUFFIX
 CABLE CHIME HOOK "C" AS SUFFIX
 PLASTIC CHIME HOOK "P" AS SUFFIX

PROPRIETARY AND CONFIDENTIAL

THE INFORMATION CONTAINED IN THIS DRAWING IS THE SOLE PROPERTY OF VALLEY CRAFT. ANY REPRODUCTION IN PART OR AS A WHOLE WITHOUT THE WRITTEN PERMISSION OF VALLEY CRAFT IS PROHIBITED.

UNLESS OTHERWISE SPECIFIED:

DECIMALS
 2 PLACES ± 0.01
 3 PLACES ± 0.005
 ANGLE $\pm 1^\circ$

GRIND/SAND SHARP EDGES .015 MAX DOES NOT APPLY TO DRILLED HOLE DIA.



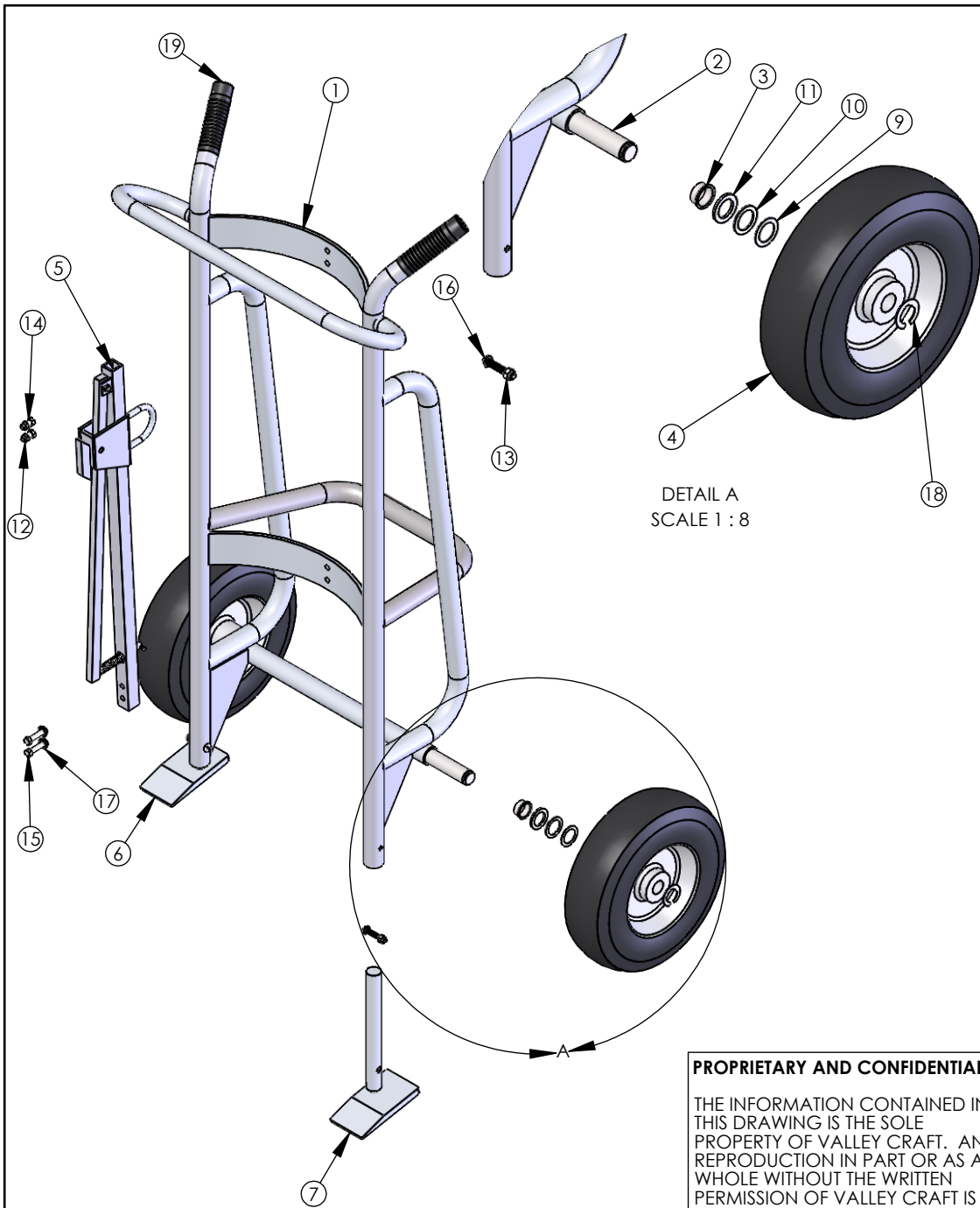
TITLE: TRK-DRUM/600AA

B	-	CREATED	DN	10/25/2021
CHG.	E.C.O.	DESCRIPTION / WAS	BY	DATE

ALL ANGLES ARE 90° UNLESS SPECIFIED

	NAME	DATE
DRAWN	DN	04/25/2019
CHECKED		
ENG APPR.		

SIZE	PART NO.	F81500A0
A	MATL:	Material <not specified>
SCALE: 1:16	WEIGHT: 55.24	SHEET 1 OF 3



DETAIL A
SCALE 1 : 8

ITEM NO.	PART NUMBER	DESCRIPTION	QTY.
1	F60503A1	F W/600AA	1
2	F30041A3	AXLE-FRT/650A	1
3	F57260A9	BRG-STL FLG 1.01X1.05X.5	2
4	Z30681A7	WHL-12 AIR	2
5	F60063B1/R60063	C H ASSY-A/STD -- CS, use R60063 for RPMTS	1
5	F62771A2	CH ASSY-A/CABLE	1
5	F60950A9	CH ASSY-A/FIBER	1
5	F60947A5	CH ASSY-S/LOCKING	1
5	F60945A7	CH ASSYS/PLASTIC	1
6	F60065A1/R60065	SHOE WLDMT-RH A/600A -- CS, use R60065 for RPMTS	1
7	F60066A0/R60066	SHOE WLDMT-LH A/600A -- CS, use R60066 for RPMTS	1
9	Z10011A5	BUSH-MACH 1x18GAx1-1/2 OD	2
10	Z10012A4	BUSH-MACH 1x14GAx1-1/2 OD	2
11	Z10013A3	BUSH-MACH 1x10GAx1-1/2 OD	2
12	Z10036A6	NUT-HEX KEPS 5/16-18	4
13	Z10045A5	NUT-NYL NE 5/16-18	2
14	Z10122A1	S-HHC 5/16-18X3/4	2
15	Z10125A8	S-HHC 5/16-18X1-1/2	2
16	Z10184A6	S-RHM 5/16-18X1-3/4	2
17	Z10200A6	WASHER-1/4 FLAT USS	2
18	Z10223A9	RING-RTNG 1	2
19	Z50085A2	GRIP-HDL 1-1/4" BLK	2

PROPRIETARY AND CONFIDENTIAL

THE INFORMATION CONTAINED IN THIS DRAWING IS THE SOLE PROPERTY OF VALLEY CRAFT. ANY REPRODUCTION IN PART OR AS A WHOLE WITHOUT THE WRITTEN PERMISSION OF VALLEY CRAFT IS PROHIBITED.

UNLESS OTHERWISE SPECIFIED:

DECIMALS
2 PLACES ±0.01
3 PLACES ±0.005
ANGLE ±1°

GRIND/SAND SHARP EDGES .015 MAX DOES NOT APPLY TO DRILLED HOLE DIA.

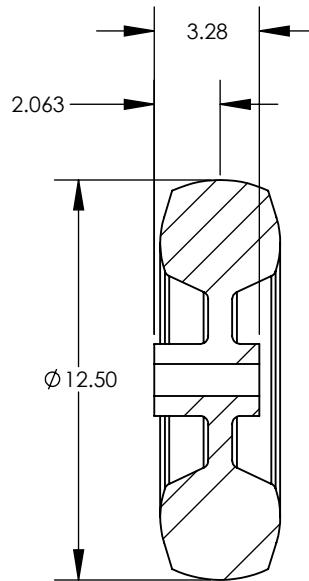
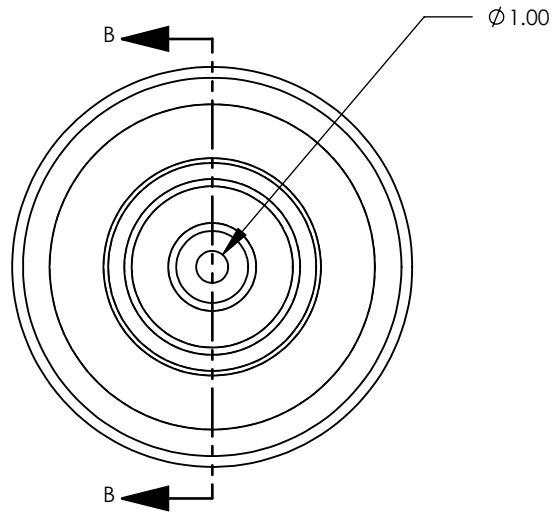
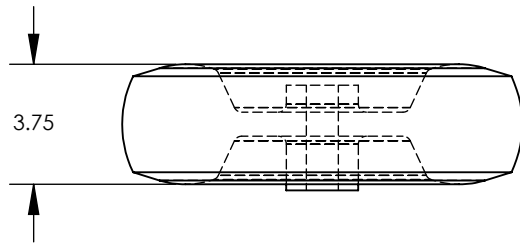


TITLE: TRK-DRUM/600AA

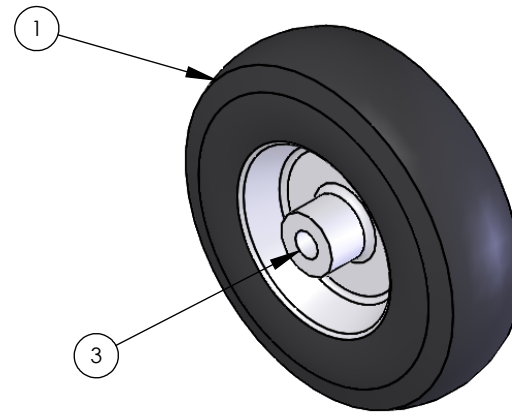
B	-	CREATED	DN	10/25/2021
CHG.	E.C.O.	DESCRIPTION / WAS	BY	DATE

ALL ANGLES ARE 90° UNLESS SPECIFIED

DRAWN	DN	04/25/2019	SIZE	A	PART NO.	F81500A0
CHECKED					MATL:	Material <not specified>
ENG APPR.			SCALE:	1:24	WEIGHT:	55.24
						SHEET 2 OF 3



SECTION B-B



- 1. TIRE SIZE: 12 - 1/2 X 3 - 3/4 (4.1/3.5 - 6)
- 2. TREAD PATTERN: SAWTOOTH
- 3. WHEEL MATERIAL: RUBBER
- 4. LOAD CAP./WHEEL: LOAD RANGE "B"
- 5. WEIGHT/WHEEL: 7#
- 6. OVERALL HUB WIDTH: 3.28
- 7. OFFSET CENTER OF WHEEL TO END OF HUB: 2 - 1/16
- 8. HUB MATERIAL: STEEL
- 9. BEARING TYPE: BALL
- 10. BORE OR AXLE SIZE: 1
- 11. HUB COLOR: SILVER
- 12. GREASE ZERK: NO
- 13. VENDOR: HOOSIER #869H34-82

Item Number	Part Number	Description	Qty.
1	Z30007A9	TIRE-AIR 12	1
2	Z30008A8	TUBE-AIR 12	1
3	Z30002A4	BEARING-FLG 1/RPMT	2

B		DRAWN FROM CADKEY	PBS	1/08
CHG.	E.C.O.	DESCRIPTION / WAS	BY	DATE

PROPRIETARY AND CONFIDENTIAL

THE INFORMATION CONTAINED IN THIS DRAWING IS THE SOLE PROPERTY OF VALLEY CRAFT. ANY REPRODUCTION IN PART OR AS A WHOLE WITHOUT THE WRITTEN PERMISSION OF VALLEY CRAFT IS PROHIBITED.

ALL ANGLES ARE 90° UNLESS SPECIFIED

UNLESS OTHERWISE SPECIFIED:

DECIMALS
2 PLACES ±0.01
3 PLACES ±0.005
ANGLE ±1°

GRIND/SAND SHARP EDGES .015 MAX DOES NOT APPLY TO DRILLED HOLE DIA.

	NAME	DATE
DRAWN	salvopb	1/08
CHECKED		
ENG APPR.		



2001 South Hwy. 61, Lake City, MN 55041-9555, U.S.A.

TITLE: WHL-12 AIR

SIZE: **A** **PART NO.:** Z30681A7

MATL:

SCALE: 1:6 WEIGHT: 12.53 SHEET 3 OF 3