

SPECIFICATION

Max. Capacity.....	4000LB
Lifting capacity position 1.....	4000LB
Lifting capacity position 2.....	3000LB
Lifting capacity position 3.....	2000LB
Lifting capacity position 4.....	1000LB

⚠ WARNING

- ⚠ **WARNING:** Do not overload. Overloading could cause damage or failure of the engine hoist.
- ⚠ **WARNING:** Never use the hoist on an uneven floor surface as this could result in the hoist tipping over.
- ⚠ **WARNING:** Always lock the legs and jib in position before lifting a load.
- ⚠ **WARNING:** The nuts and bolts supplied with the hoist are all high strength and should not be substituted for inferior types.
- ⚠ **WARNING:** Before each use ensure that all nuts and bolts are correctly fitted and tight.
- ⚠ **WARNING:** Never exceed the safe working loads indicated on the jib.
- ⚠ **WARNING: FAILURE TO FOLLOW THESE INSTRUCTIONS COULD RESULT IN LOSS OF LOAD AND/OR PERSONAL INJURY OR DAMAGE TO PROPERTY.**

OPERATING INSTRUCTIONS

⚠ **WARNING: THIS LONG RAM JACK IS DESIGNED FOR LIFTING PURPOSES ONLY-NOT FOR SUPPORTING LOADS.**

⚠ **WARNING: DO NOT LOAD BEYOND ITS RATED CAPACITY.**

⚠ **WARNING: IMPORTANT:** It is possible that air has got into the hydraulic system, causing poor lifting performance. Purge any air from the system by fully opening release valve (turn handle counterclockwise as shown), then while holding the boom down, operate pump handle rapidly several times.

TO RAISE LOAD

Close release valve by turning ram bleeder **CLOCKWISE** to a **SNUG-TIGHT** position. (DO NOT OVERTIGHTEN).

TO LOWER LOAD

Open release valve by turning handle **COUNTERCLOCKWISE** very slowly. The speed of lowering the load is controlled by how much you turn the hand.

⚠ **WARNING:** Front legs must always be locked in down position before applying load and/or raising boom.

INSPECTION

1. Visual inspection should be made before each use of the engine hoist.
2. Any engine hoist which appears to be damaged in any way is found to be badly worn, or operated abnormally must be removed from service.
3. If the engine hoist is accidentally subjected to an abnormal load or shock, it must be inspected by the manufacturer immediately.
4. It is recommended that an annual inspection of the engine hoist be made and that any defective parts, decals, or warning labels be replaced with manufacturer's specified parts.

ASSEMBLY INSTRUCTIONS

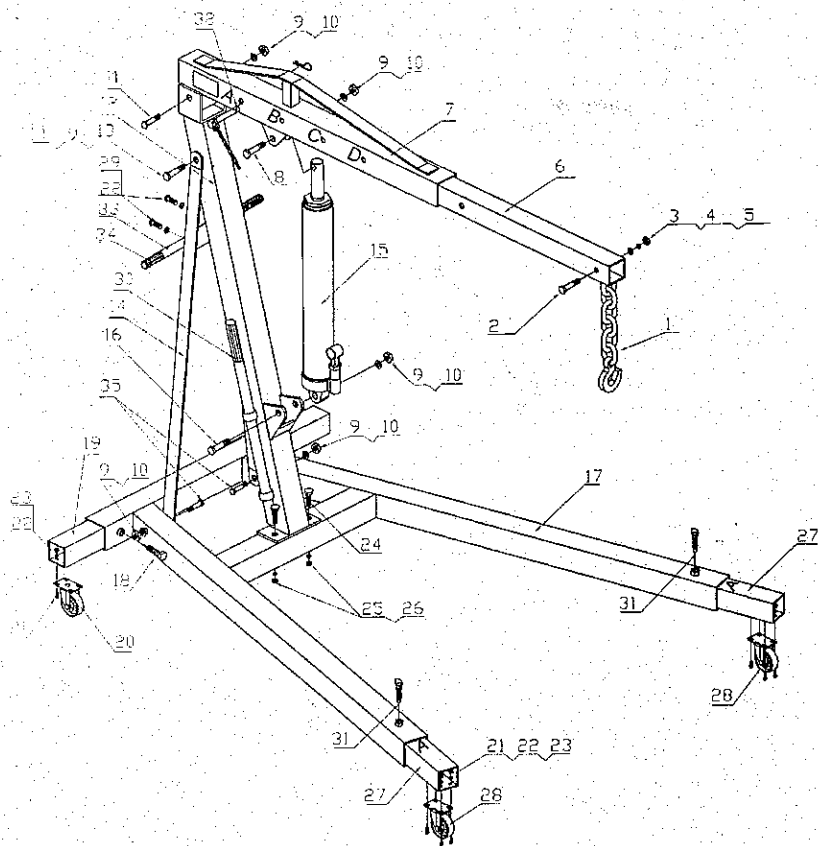
⚠ **WARNING:** During the assembly procedure, nuts and bolts should be hand tightened only. Once assembly is complete, nuts and bolts must be fully tightened.

1. Referring to the spare parts drawing, insert two front extension legs (#27) into the base frame (#17) and lock the legs in place using locking bolt (#31) as desired.
2. Insert two rear extension legs (#19) into the base frame (#17) and lock the legs in place using bolt (#18).
3. Attach the main support post (#12) to the base assembly (#17) using bolts (#24), nuts (#26) and flat washers (#25).
4. Now secure the boom (#7) to the main support post (#17) using bolt (#11), nut (#10) and flat washer (#9).
5. Attach support straps (#14) to top of main support post using bolt (#13), nut (#10) and flat washer (#9).
6. Attach support straps (#14) to the frame base using bolts (#35), nuts (#10) and flat washers (#9).
7. Connect bottom of ram unit (#15) to main support post (#12) using bolt (#16), nut (#10) and flat washer (#9).
8. While helper holds boom up. Connect top of hydraulic ram to boom using bolt (#8), nut (#10) and flat washer (#9).
9. Slide boom extension (#6) into the main boom (#7), secure in one of the four positions using lock pin (#32) and R pin.
10. **Tighten all nuts and bolts.**

PARTS LIST

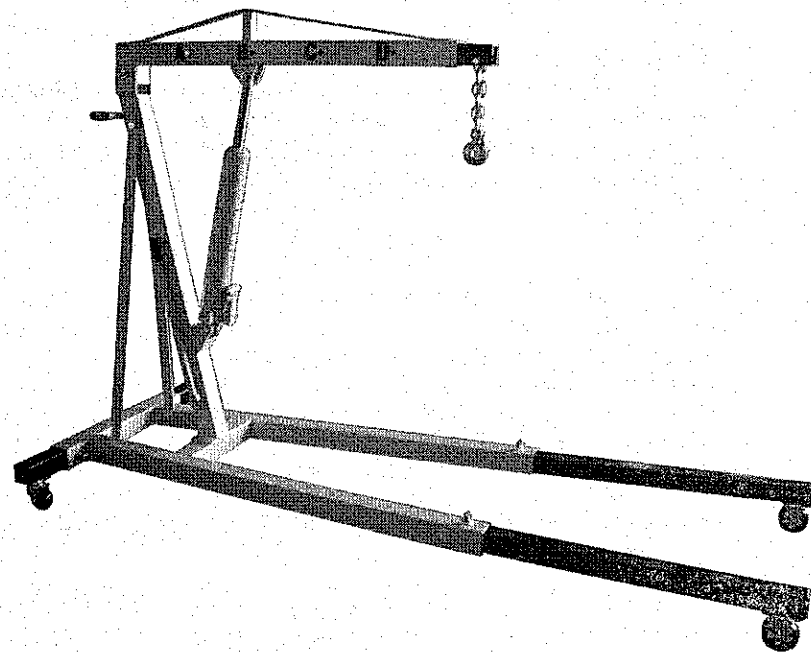
REF NO	DESCRIPTION	QTY	REF NO	DESCRIPTION	QTY
1	Chain & Hook Assembly	1	19	Rear Extension Leg	2
2	Bolt M12x80	1	20	3" Caster	2
3	Flat Washer Ø12	1	21	Bolt M8x20	16
4	Lock Washer Ø12	1	22	Lock Washer Ø8	18
5	Nut M12	1	23	Nut M8	16
6	Boom Extension	1	24	Bolt M14x100	2
7	Boom	1	25	Flat Washer Ø14	2
8	Bolt M16x80	1	26	Nut M14	2
9	Flat Washer Ø16	6	27	Front Extension Leg	2
10	Nut M16	6	28	3.5" Caster	2
11	Bolt M16x120	1	29	Bolt M8x16	2
12	Main Support Post	1	30	Jack Handle	1
13	Bolt M16x110	1	31	Lock Bolt	2
14	Strap	2	32	Lock Pin	1
15	8Ton Long Ram Jack	1	33	Handle	1
16	Bolt M16x90	1	34	Handle Cover	2
17	Base Frame	1	35	Bolt M16x100	2
18	Bolt M14x30	2			

4000LB NON-FOLDING ENGINE HOIST
PARTS DRAWING



4000LB NON-FOLDING
ENGINE HOIST

Owners Manual and
Operating Instructions



OWNER/OPERATOR RESPONSIBILITY

1. It is the owner/operator responsibility to properly use and maintain this equipment.
2. The instructions and warning contained in this manual shall be read and understood by the owner/operator prior to operating this equipment.
3. If an owner/operator does not understand English, the contents of this manual shall be explained in the owner/operators native language to assure that the owner/operator comprehends.
4. The owner/operator shall retain this manual for future reference to important warnings, operating and maintenance instructions.