

2TON FOLDABLE ENGINE HOIST
Owner's Manual and Operating Instructions
MODEL NUMBER: EHN-40-C




INSTRUCTIONS


IMPROTANT: IT IS IMPORTANT THAT YOU READ AND UNDERSTAND THIS INSTRUCTION MANUAL BEFORE USING YOUR ENGINE CRANE. ALWAYS ENSURE ITS CORRECT USE, WHICH WILL HELP PREVENT DAMAGE AND INJURY.


SPECIFICATION


Max. Capacity.....	4000 lbs
Lifting capacity position 1.....	4000 lbs
Lifting capacity position 2.....	3000 lbs
Lifting capacity position 3.....	2000 lbs
Lifting capacity position 4.....	1000 lbs
Max. Lifting height min. jib extension.....	86"
Max. Lifting height max. jib extension.....	102"
Overall width.....	42"
Width between legs.....	36½"


WARNING

 **WARNING:** Do not overload. Overloading could cause damage or failure of the engine hoist.

 **WARNING:** Never use the hoist on an uneven floor surface as this could result in the hoist tipping over.

 **WARNING:** Always lock the legs and jib in position before lifting a load.

 **WARNING:** The nuts and bolts supplied with the hoist are all high strength and should not be substituted for inferior types.

 **WARNING:** Before each use ensure that all nuts and bolts are correctly fitted and tight.

 **WARNING:** Never exceed the safe working loads indicated on the jib.

 **WARNING: FAILURE TO FOLLOW THESE INSTRUCTIONS COULD RESULT IN LOSS OF LOAD AND/OR PERSONAL INJURY OR DAMAGE TO PROPERTY.**

OPERATING INSTRUCTIONS

WARNING!

- ◆ **THIS PUMP LONG RAM IS DESIGNED FOR LIFTING PURPOSES ONLY. NOT FOR SUPPORTING LOADS.**
- ◆ **DO NOT LOAD BEYOND ITS REATED CAPACITY.**

IMPORTANT: Its is possible that air has got into the hydraulic system, causing poor lifting performance. Purge any air form the system by fully opening release valve (turn handle counterclockwise as shown), then while holding the boom down, operate pump handle rapidly several times.

TO RAISE LOAD

Close release valve by turning handle **CLOCKWISE** to a **SNUG-TIGHT** position.
(DO NOT OVERTIGHTEN)

TO LOWER LOAD

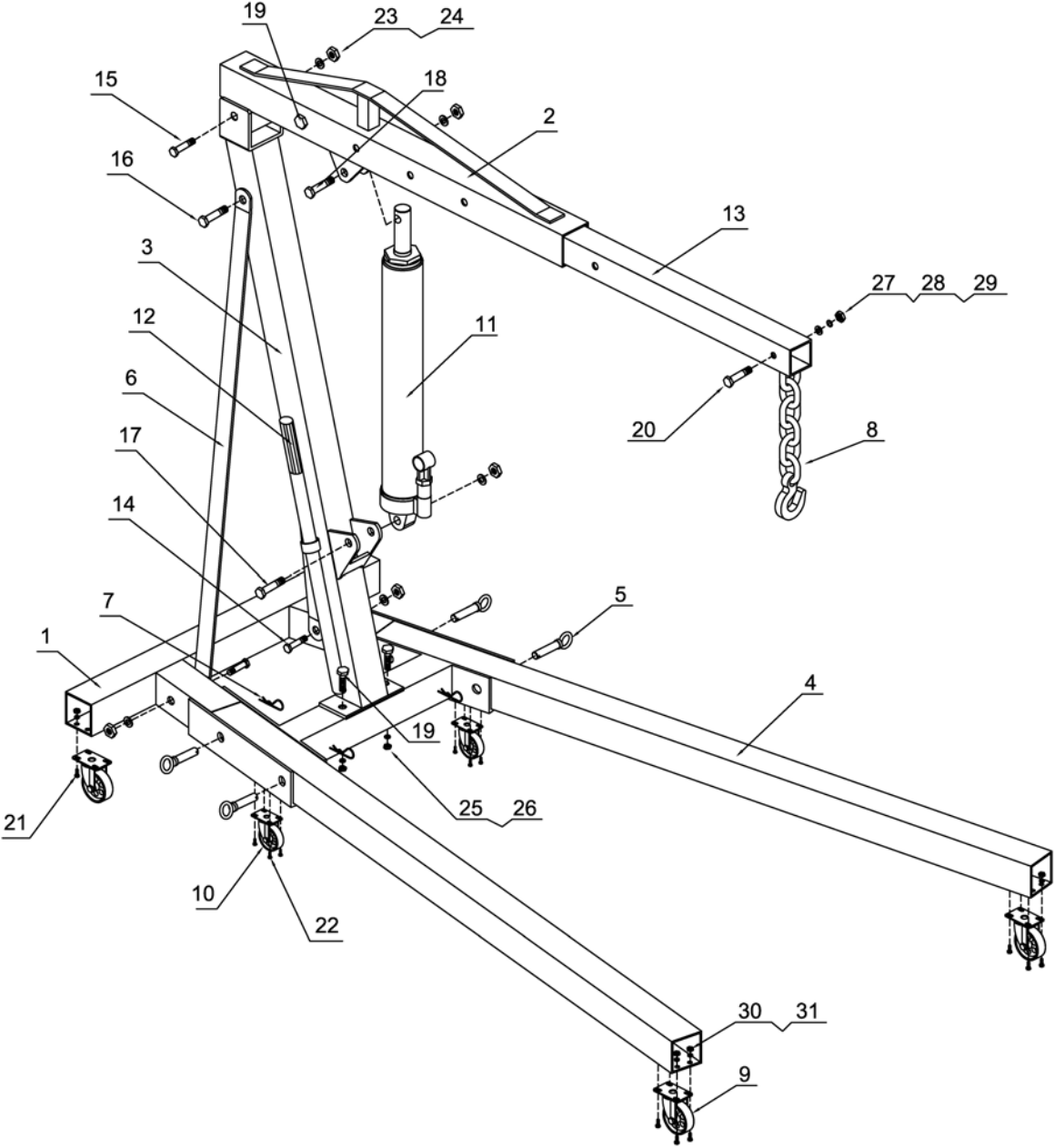
Open release valve by turning handle **COUNTERCLOCKWISE** very slowly. The speed of lowering the load is controlled by how much you turn the handle.

NOTE:

Front legs must always be locked in down position before applying load and/or raising boom.

Boom must be in fully lowered position before raising legs. Legs must never be raised when crane is carrying load. Legs must be locked in place when raised.

ASSEMBLY DIAGRAM



PARTS LIST

REF#	DESCRIPTION	QTY	REF#	DESCRIPTION	QTY
1	Base	1	17	Bolt M16x90	1
2	Boom	1	18	Bolt M16x80	1
3	Main Post	1	19	Bolt M14x100	3
4	Leg	2	20	Bolt M12x80	1
5	Lock Pin	4	21	Bolt M8x20	16
6	Support Strap	2	22	Bolt M8x12	8
7	Split "R" Pin	4	23	Nut M16	6
8	Chain & Hook Assembly	1	24	Flat WasherØ16	6
9	3½"Swivel Castor	4	25	Nut M14	3
10	3"Swivel Castor	2	26	Flat WasherØ14	3
11	8Ton Long Ram Jack	1	27	Nut M12	1
12	Handle	1	28	Flat WasherØ12	1
13	Boom Extension	1	29	Lock WasherØ12	1
14	Bolt M16x100	2	30	Nut M8	16
15	Bolt M16x120	1	31	Lock WasherØ8	24
16	Bolt M16x110	1			